

Compact Guide Cylinder/ Stainless Steel Parts Series MGP-XC6

∅12, ∅16, ∅20, ∅25, ∅32, ∅40, ∅50, ∅63, ∅80, ∅100

Material for steel parts and rods
 changed to stainless steel



How to Order

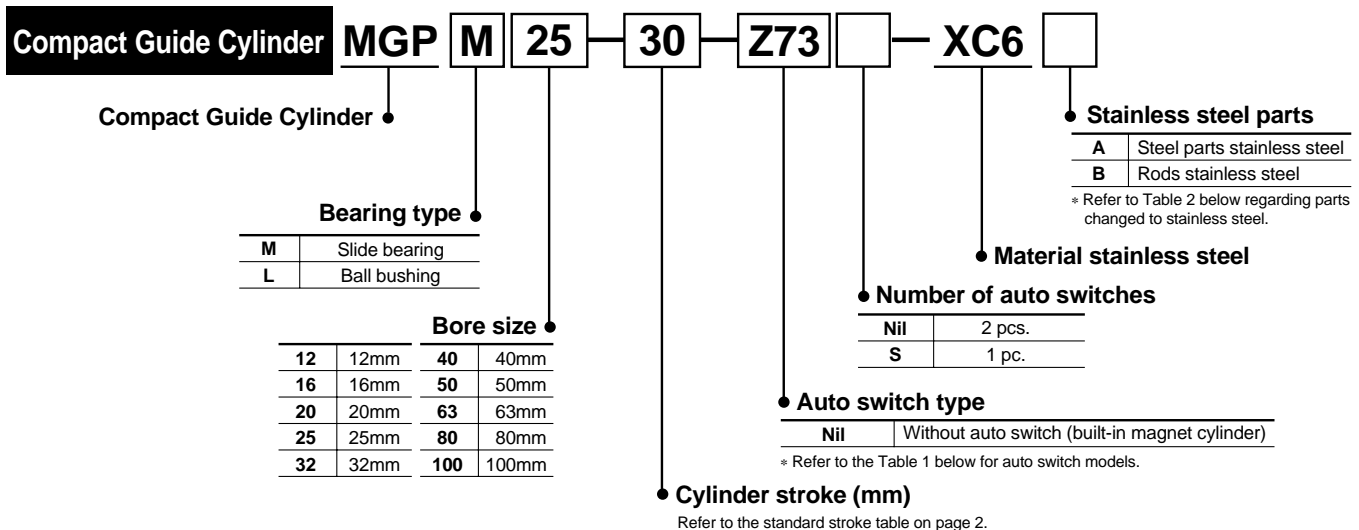


Table 1 Applicable auto switches

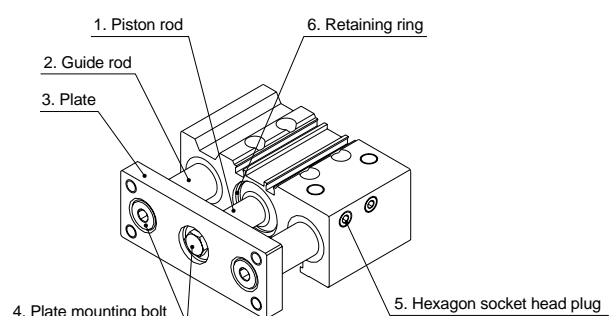
Type	Special function	Electrical entry	Indicator light	Wiring (output)	Load voltage		Auto switch model		Lead wire length (m)			Applicable loads		
					DC	AC	Electrical entry direction	0.5 (Nil)	3 (L)	5 (Z)				
Reed switch	—	Grommet	Yes	3 wire	—	5V	—	Z76	●	●	—	IC circuit	Relay, PLC	
				2 wire	24V	12V	100V	Z73	●	●	●	—		
				—	5V, 12V	100V or less	Z80	●	●	—	IC circuit			
Solid state switch	Diagnostic indication (2 color indicator)	Grommet	Yes	3 wire (NPN)	24V	5V	—	Y69A	Y59A	●	●	○	IC circuit	Relay, PLC
				3 wire (PNP)		12V		Y7PV	Y7P	●	●	○	IC circuit	
				2 wire		12V		Y69B	Y59B	●	●	○	—	
				3 wire (NPN)		5V		Y7NWV	Y7NW	●	●	○	IC circuit	
				3 wire (PNP)		12V		Y7PWV	Y7PW	●	●	○	—	
				2 wire		12V		Y7BWV	Y7BW	●	●	○	—	
	Water resistant (2 color indicator)			—		—		—	Y7BAL	—	●	○	—	

Note 1) Lead wire length symbols
 0.5m Nil (Example) Y69B
 3m L Y68BL
 5m Z Y69BZ

Note 2) Solid state switches marked with a "○" symbol are produced upon receipt of order.
 Note 3) Type P5DW is applicable only to bore sizes ∅40 through ∅100.

Table 2 Parts changed to stainless steel

Symbol	Part number symbol
XC6A	1, 2, 3, 4, 5, 6
XC6B	1, 2, 5, 6



Series MGP-XC6

Specifications

Action	Double acting	
Fluid	Air	
Proof pressure	1.5MPa	
Maximum operating pressure	1.0MPa	
Minimum operating pressure	ø12, ø16	0.12MPa
	ø20 to ø100	0.1MPa
Ambient and fluid temperature	-10 to 60°C	
Piston speed ^{Note)}	ø12 to ø63	50 to 500mm/s
	ø80, ø100	50 to 400mm/s
Cushion	Double side rubber bumper	
Lubrication	Non-lube	
Stroke length tolerance	$^{+1.5}_0$ mm	

Note) Be careful not to exceed the cylinder's allowable kinetic energy.

Standard Stroke

Bore size (mm)	Standard stroke (mm)
12, 16	10, 20, 30, 40, 50, 75, 100, 125, 150, 175, 200, 250
20, 25	20, 30, 40, 50, 75, 100, 125, 150, 175, 200, 250, 300, 350, 400
32 to 100	25, 50, 75, 100, 125, 150, 175, 200, 250, 300, 350, 400

Manufacture of Intermediate Strokes

Modification method	Installation of spacers Spacers are installed in a standard stroke cylinder to modify the stroke. • ø12 to 32: Available in 1mm stroke increments • ø40 to 100: Available in 5mm stroke increments	
Part number	Refer to standard part numbers and ordering procedure.	
Applicable stroke (mm)	ø12, ø16	1 to 249
	ø20 to ø32	1 to 399
	ø40 to ø100	5 to 395
Example	Part no.: MGPM20—39 A spacer 1mm in width is installed in a MGPM20—40. The C dimension is 77mm.	

Note) The minimum stroke for mounting auto switches is 10mm or more for two switches, and 5mm or more for one switch.



Dimensions

Dimensions are the same as the standard series MGP.
 Refer to "Best Pneumatics No. 2" pages (3.17-1) through (3.17-14)
 for further details.