

Vacuum Flow

Series ZH□-□-X185

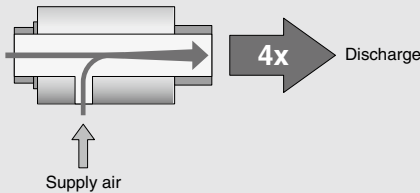
By supplying compressed air,

Large blow and vacuum flow rate available



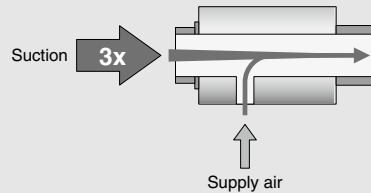
● A blow flow rate 4 times the supply air

A discharge flow rate 4 times the supply air can be generated.
Contributes to reduction in flow consumption if discharge requires flow rate.

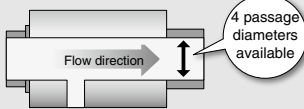


● A vacuum flow rate 3 times the supply air

A suction flow rate 3 times the supply air can be generated.
Contributes to reduction in flow consumption if suction requires flow rate.



● Large passage diameter available for suction of machining chips, particles, etc.



● Mounting bracket available

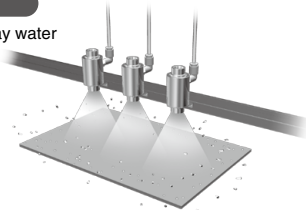
● Maintenance free

No regular motor maintenance is necessary compared with an electric blower.

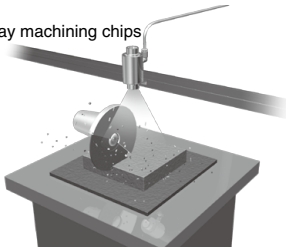
Application Examples

Blow

Blowing away water droplets

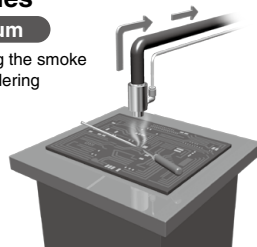


Blowing away machining chips



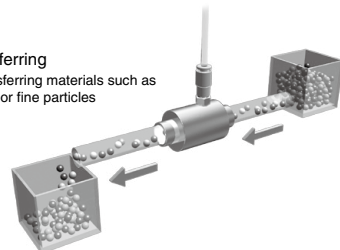
Vacuum

Vacuums the smoke during soldering



Transferring

* Transferring materials such as pellets or fine particles



How to Order

ZH 20 - B - X185

Passage diameter ●

Symbol	mmφ
10	13
20	21.6
30	30
40	42

● Bracket

Nil	Without bracket
B	With bracket

Warning

- Because suctioned matter is ejected together with exhaust, do not direct an exhaust port at a person or equipment.
- Do not use in an atmosphere having corrosive gases, chemicals, sea water, water steam, or where there is direct contact with any of these.

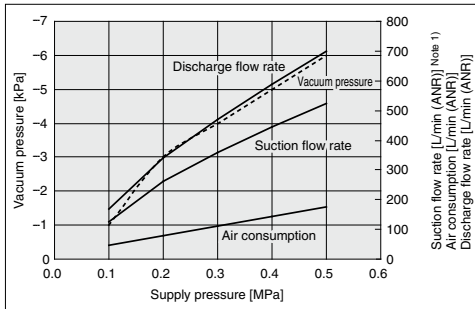
Refer to front matter 53 for Safety Instructions and pages 899 to 901 for Vacuum Equipment Precautions.

Specifications

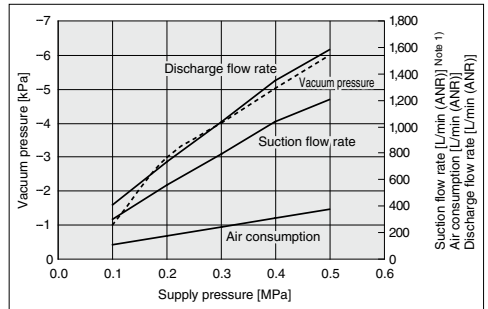
Model	ZH10-X185	ZH20-X185	ZH30-X185	ZH40-X185
Body material	Aluminum alloy			
Seal material	NBR			
Passage diameter	φ13	φ21.6	φ30	φ42
Fluid	Air			
Supply pressure range	0 to 0.7 MPa			
Weight (g)	110	430	970	2000
Bracket assembly	ZH-BK1-10-A	ZH-BK1-20-A	ZH-BK1-30-A	ZH-BK1-40-A

Flow Characteristics

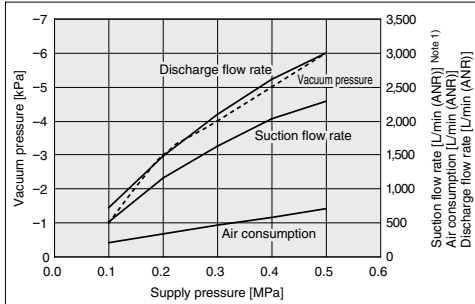
ZH10-X185



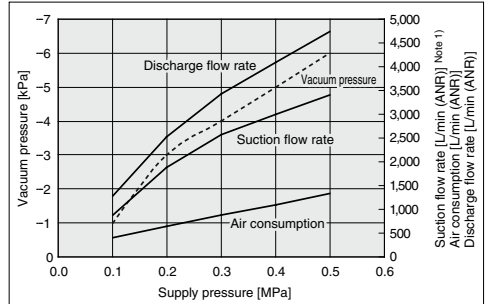
ZH20-X185



ZH30-X185



ZH40-X185



Note 1) Suction flow rate is a theoretical value.

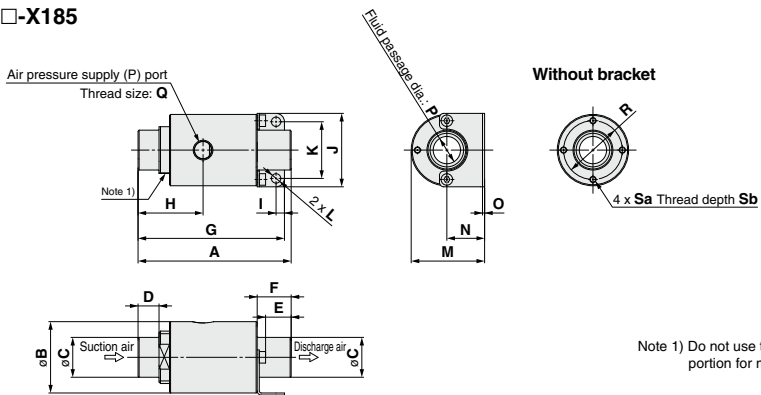
Note 2) The above characteristics are when the discharge outlet is under atmospheric pressure.

Note 3) Back pressure should be avoided if you mount a filter or some devices to catch the suctioned particles on the suction outlet side of this product.

Series ZH□-□-X185

Dimensions

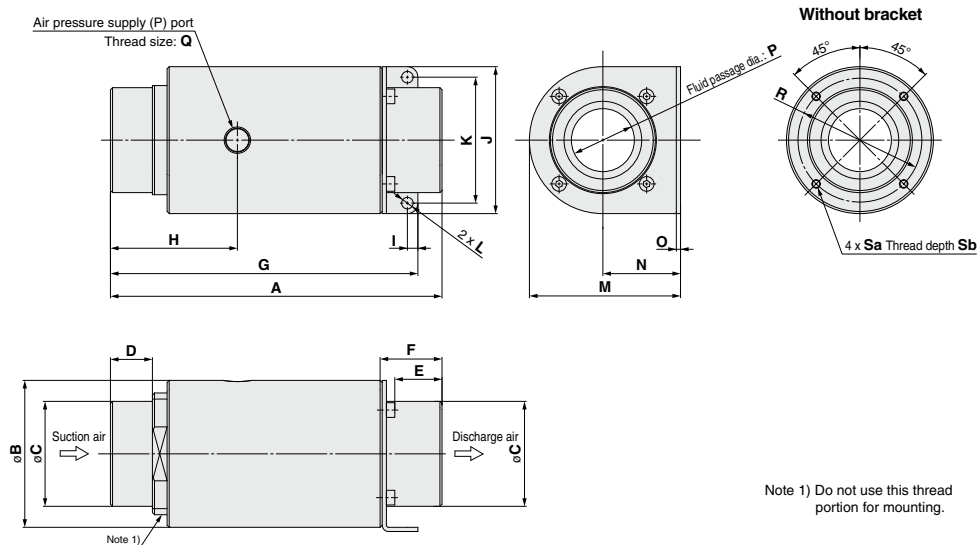
ZH10 to 20-□-X185



Model	A	øB	øC	D	E	F	G	H	I	J	K	L	M	N	O	P	Q	R	Sa	Sb
ZH10-□-X185	73	34	19	10	13.2	16.2	69.8	31	4	35	27	4.5	35	18	1	13	Rc1/8	28	M3 x 0.5	5
ZH20-□-X185	119.5	55	32	15	19.5	23.5	111	48		56	48	4.5	56.5	29		21.6	Rc1/4	44	M4 x 0.7	8

(mm)

ZH30 to 40-□-X185



Model	A	øB	øC	D	E	F	G	H	I	J	K	L	M	N	O	P	Q	R	Sa	Sb
ZH30-□-X185	158	70	50	20	24.5	28.5	146.5	60.5	5	70	60	5.5	72	37	2	30	Rc1/4	59	M4 x 0.7	10
ZH40-□-X185	203	90	64	25	27.2	33.5	196.8	74.5	6	90	78	6.5	92	47	2.3	42	Rc3/8	76		

(mm)