

High Precision Digital Pressure Switch
Series ZSE40/ISE40



High precision/High resolution
Vacuum pressure 1/1000 (0.1kPa)
Compound pressure 1/2000 (0.1kPa)
Positive pressure 1/1000 (0.001MPa)



Series ZSE40/ISE40

High speed response: 2.5ms or less With anti-chattering function

Stable switch output is possible even with sudden changes in the primary pressure (when operating large bore cylinders, etc.).

Anti-chattering function

Devices such as large bore cylinders and high-flow vacuum ejectors consume a large volume of air when they operate, and this may cause a momentary drop in the primary pressure. This function prevents such momentary pressure drops from being detected as abnormal pressures by allowing the response time selection to be changed.

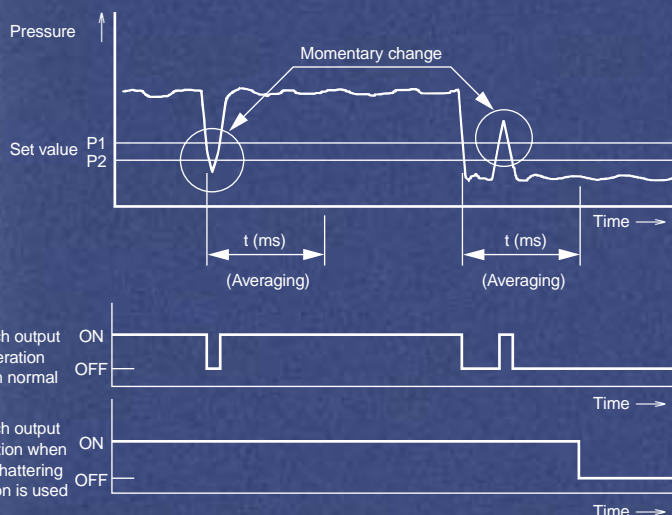
[Selectable response times: t]

2.5ms (normal), 24ms, 192ms or 768ms

The normal setting is selected when shipped from the factory.

(Operating principle)

The pressure values measured within the user-selected response time are averaged, and switch output (ON/OFF) is determined by comparing this averaged pressure value with the set pressure.



With auto shift function

Allows switch output unaffected by variations in primary pressure.

Auto shift function

Erroneous operation may occur if there is fluctuation in the primary pressure.

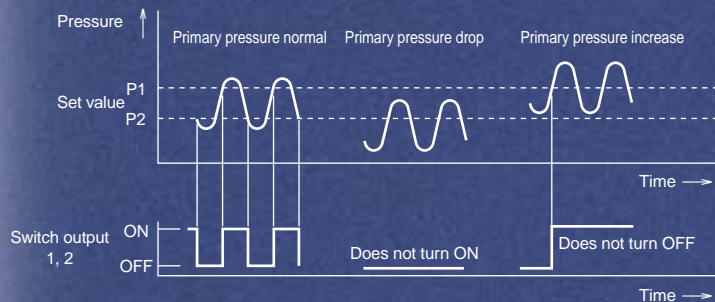
The auto shift function compensates for pressure changes to ensure proper ON/OFF switch response during such fluctuations.

(Operating principle)

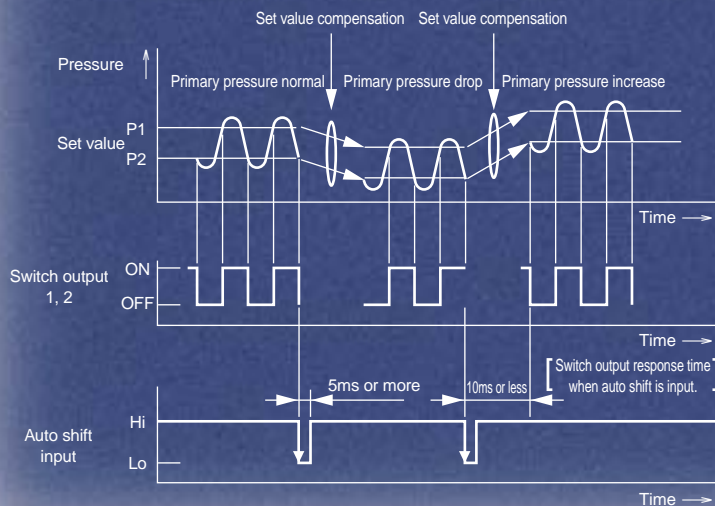
At the point when the primary pressure fluctuates, the set pressure value is compensated by setting the auto shift input (external input) to low (no-voltage) input, using the pressure measured at that point as a standard.

Without using auto shift

When the primary pressure fluctuates, a correct determination becomes impossible.



When using auto shift



Compound pressure (ZSE40F)

Able to detect suction pressure (vacuum pressure and release pressure (positive pressure) with a single pressure switch.

3 types of piping

Different piping methods are possible to accommodate the installation location.



Repeatability

±0.2% F.S. ±1 digit or less

IP65 compatible

Dust-tight/Splash proof type

Specifications

	ZSE40F (Compound pressure)	ZSE40 (Vacuum pressure)	ISE40 (Positive pressure)
Rated pressure range	-100.0 to 100.0kPa	0.0 to -101.3kPa	0.000 to 1.000MPa
Operating pressure range/Set pressure range	-100.0 to 100.0kPa	10.0 to -101.3kPa	-0.100 to 1.000MPa
Withstand pressure	500kPa		1.5MPa
Set pressure resolution (Note 1)	kPa	0.1	—
	MPa	—	0.001
	kGf/cm ²	0.001	0.01
	bar	0.001	0.01
	psi	0.02	0.1
	mmHG	1	—
InHG	0.1	—	—
Applicable fluid	Air, Non-corrosive/Non-flammable gas		
Power supply voltage	12 to 24VDC ±10%, Ripple (p-p) 10% or less		
Current consumption	55mA or less		
Switch output	NPN or PNP 2 outputs Max. load current : 80mA Max. applied voltage : 30VDC (with NPN output) Residual voltage : 1V or less (with 80mA load current)		
Repeatability	±0.2% F.S. ±1digit or less		
Hysteresis	Hysteresis mode	Variable	
	Window comparator mode	Fixed (3 digits) Note4)	
Response time (with anti-chattering function)	2.5ms or less (with anti-chattering function: 24ms, 192ms and 768ms selections)		
Output short circuit protection	Yes		
Display	3 1/2 digit LED display (sampling cycle: 5 times/sec.)		
Display accuracy	±2% F.S. ±1 digit or less (at ambient temperature of 25 ±3°C)		
Operation indicator light	Green LED (OUT1: Lights when ON), Red LED (OUT2: Lights when ON)		
Analog output (Note 2)	Output voltage: 1 to 5V ±5% F.S. or less (in rated pressure range) Linearity: ±1% F.S. or less Output impedance: Approx. 1kΩ	Output voltage: 1 to 5V ±2.5% F.S. or less (in rated pressure range) Linearity: ±1% F.S. or less Output impedance: Approx. 1kΩ	
Auto shift input (Note 3)	No-voltage input (reed or solid state), input 5ms or more		
Environmental resistance	Enclosure	IP65	
	Ambient temperature range	Operating: 0 to 50°C, Stored: -10 to 60°C (with no condensation or freezing)	
	Ambient humidity range	Operating/Stored: 35 to 85% RH (with no condensation)	
	Withstand voltage	1000VAC for 1min. between lead wires and body	
	Insulation resistance	50MΩ or more (at 500VDC) between lead wires and body	
	Vibration resistance	10 to 500Hz at the smaller of amplitude 1.5mm or acceleration 98m/s ² (10G) in X, Y, Z directions for 2hrs. each (deenergized)	
Impact resistance	980m/s ² (100G) in X, Y, Z directions 3 times each (deenergized)		
Temperature characteristics	In a temperature range of 0 to 50°C, ±2% F.S. or less of pressure measured at 25°C		
Port size	O1: R1/8, M5 x 0.8, T1: NPT1/8, M5 x 0.8, W1: Rc1/8 C4: With ø4 One-touch fitting, C6: With ø6 One-touch fitting, M5: M5 female threads		
Lead wires	5 wire oil resistant heavy duty cord (0.15mm ²)		
Weight	O1/T1 types approx. 60g, W1 type approx. 80g, C4/C6/M5 types approx. 92g (each including 0.6m lead wires)		

Note 1) Equipped with unit switching function

(Types without the unit switching function use SI units (kPa or MPa) only.)

Note 2) For ZSE40 (F)/ISE40-□-²²/₆₂

Note 3) For ZSE40 (F)/ISE40-□-³⁰/₇₀

Note 4) For ZSE40F (compound pressure) with "psi" indication, this is 0.03 to 0.04 psi.

Note 5) For ZSE40F (compound pressure) with "psi" indication, zero clear is in the range of ±0.01 psi.

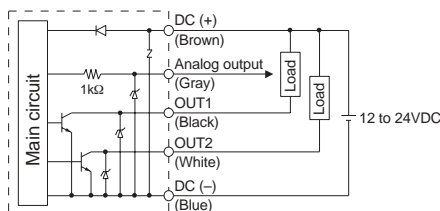
Note:

When equipped with auto shift function, the following ranges can be set.

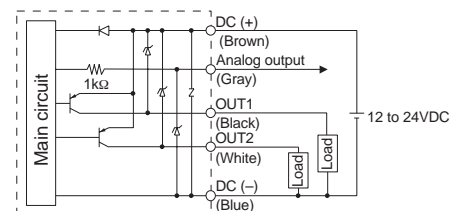
Set pressure range	Setting range
-100.0 to 100.0kPa	-100.0 to 100.0kPa
10.0 to -101.3kPa	-101.3 to 101.3kPa
-0.1 to 1.000MPa	-1.000 to 1.000MPa

Internal circuits and wiring examples

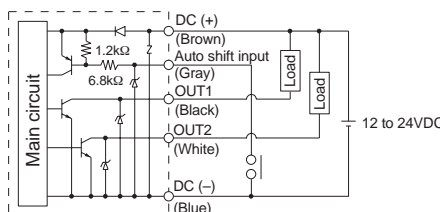
ZSE40 (F)
ISE40-□-22 (L)-(M)
With analog output



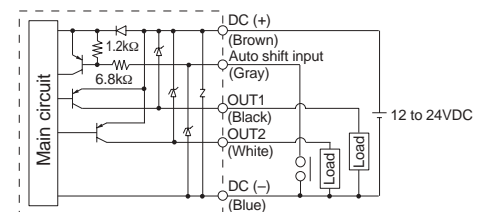
ZSE40 (F)
ISE40-□-62 (L)-(M)
With analog output



ZSE40 (F)
ISE40-□-30 (L)-(M)
With auto shift input



ZSE40 (F)
ISE40-□-70 (L)-(M)
With auto shift input

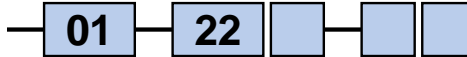


How to Order

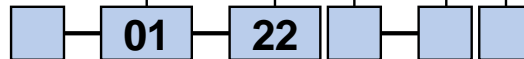
Set pressure range

Nil	-0.100 to 1.000MPa	For positive pressure
-----	--------------------	-----------------------

For Positive Pressure **ISE40**



For Vacuum/Compound Pressure **ZSE40**



Set pressure range

Nil	10.0 to -101.3kPa	For vacuum pressure
F	-100.0 to 100.0kPa	For compound pressure

Option

Nil	None	
A	Bracket A	(ZS-24-A)
B	Bracket B	(ZS-24-B)
E	Panel mount	(ZS-22-A)
F	Panel mount + Front protective cover	(ZS-24-C)

Piping specifications

<p>01: R1/8 (with M5 female threads) T1: NPT1/8 (with M5 female threads)</p>	<p>W1: Rc1/8</p> <p>Reverse pressure two directions</p>
<p>* C4: With ø4 One-touch fitting * C6: With ø6 One-touch fitting</p> <p>Wall mount</p>	<p>* M5: M5 x 0.8 (female threads)</p> <p>Wall mount</p>

* Optional

Input/Output specifications

22	NPN open collector 2 outputs + analog output
30*	NPN open collector 2 outputs + auto shift input
62*	PNP open collector 2 outputs + analog output
70*	PNP open collector 2 outputs + auto shift input

* Optional

Note

When equipped with auto shift function, the following ranges can be set.

Set pressure range	Setting range
-100.0 to 100.0kPa	-100.0 to 100.0kPa
10.0 to -101.3kPa	-101.3 to 101.3kPa
-0.1 to 1.000MPa	-1.000 to 1.000MPa

Unit specifications

Nil	With unit switching function ^{Note 1)}
M	SI units only ^{Note 2)}

Note 1) This will no longer be sold for use in Japan after the new Weight and Measure Act is implemented (October, 1999).

Note 2) Fixed units
For vacuum/compound pressure : kPa
For positive pressure : MPa

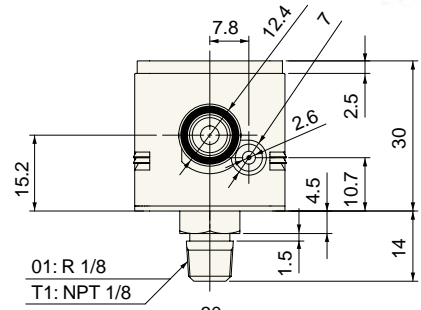
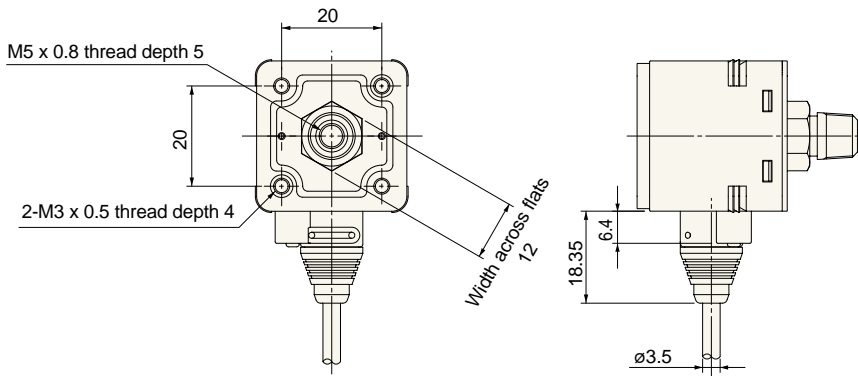
Lead wire length

Nil	0.6m
L	3m

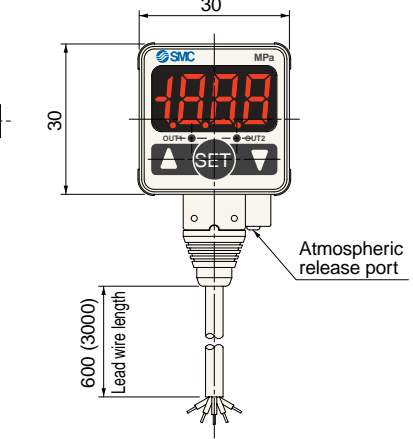
Dimensions

ZSE40(F)/ISE40-⁰¹_{T1}

* For splash proof use (IP65), insert an air tube into the atmospheric release port.
 (Refer to Specific Product Precautions 4 on the back cover for details.)

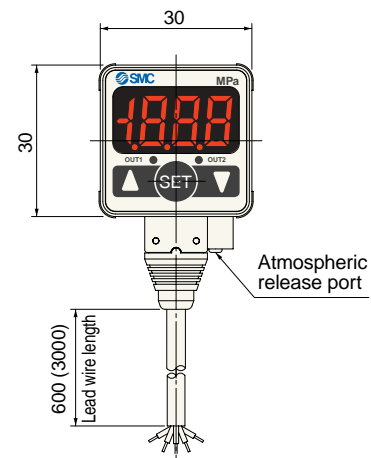
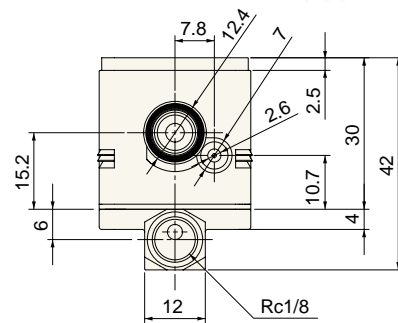
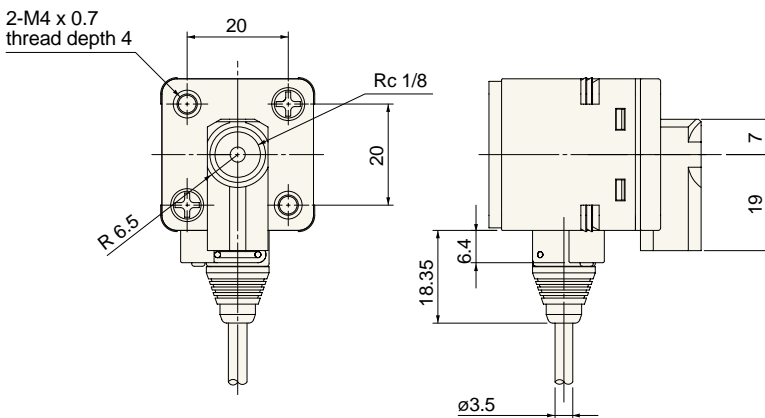


01: R 1/8
 T1: NPT 1/8



ZSE40(F)/ISE40-W1

* For splash proof use (IP65), insert an air tube into the atmospheric release port.
 (Refer to Specific Product Precautions 4 on the back cover for details.)

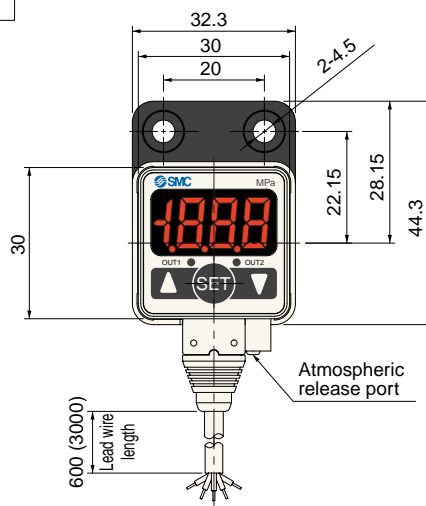
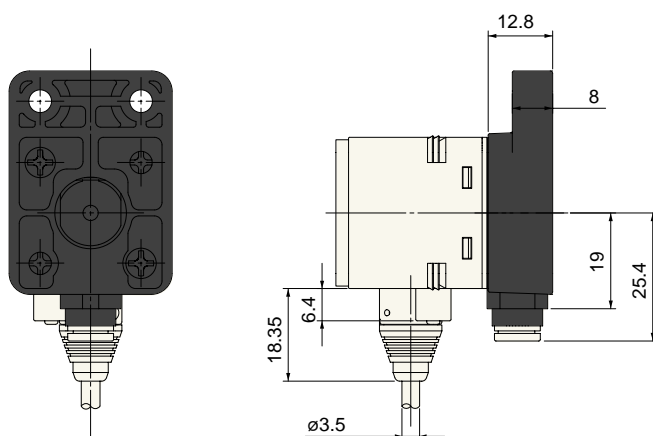
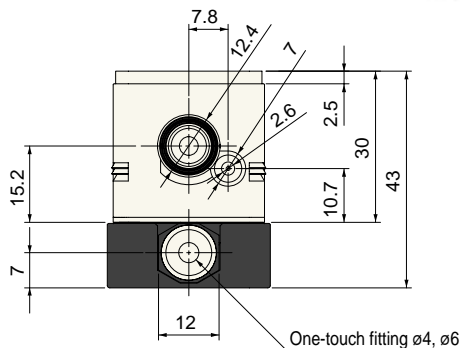
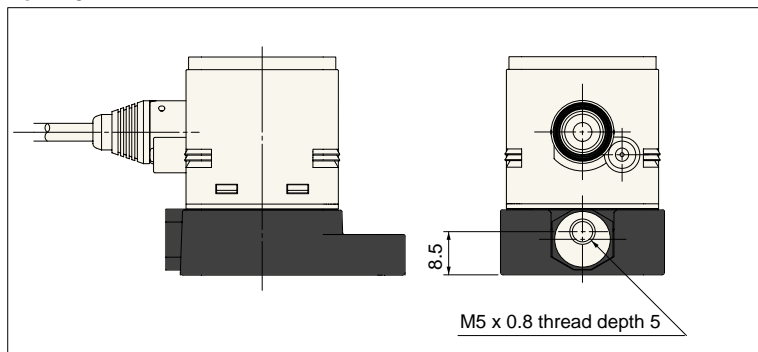


Dimensions

ZSE40(F)/ISE40—
C4
C6
M5



For—M5

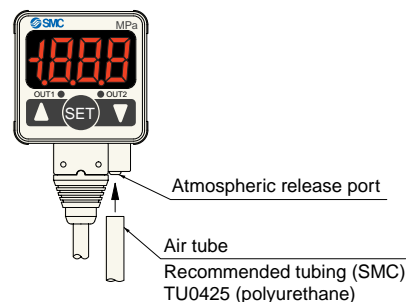


* For splash proof use (IP65), insert an air tube into the atmospheric release port.
(Refer to Specific Product Precautions 4 for details.)

⚠ Specific Product Precautions

⚠ Caution

1. Immediately after supplying power, there is drift of about $\pm 0.5\%$ F.S. When used with very low pressure, allow the unit to warm up for about 20 to 30 minutes.
2. Do not use in locations where there is splashing or spraying of oils and solvents.
3. When using a commercially available switching regulator, be sure to ground the FG terminal.
4. In locations where the switch is exposed to water and dust, etc., these may enter the switch from the atmospheric release port. Insert $\phi 4$ tubing (inside diameter $\phi 2.5$) into the atmospheric release port, and extend the other end to a safe area where water, etc., is not splashed or sprayed. Be sure that tubing is not bent and holes are not blocked, etc., or it will become impossible to make correct pressure measurements.



SMC UK Regional Centres

BELFAST
Tel:02890 778414 Fax:02890 778422
SMC Pneumatics (UK) Ltd
Northern Ireland Regional Centre
Suite 3, Shaftesbury House, Edgewater Road
Belfast
BT3 9JQ

BIRMINGHAM
Tel:01675 467177 Fax:01675 465073
SMC Pneumatics (UK) Ltd
Birmingham Regional Centre
24 The Courtyard, Gorse Lane, Coleshill
Worcestershire
B46 1JA

BRISTOL
Tel:01179 522155 Fax:01179 522186
SMC Pneumatics (UK) Ltd
Bristol Regional Centre
5 East Gate Office Centre
East Gate Road, Eastville, Bristol
BSS 6XX

CRAWLEY
Tel:01293 614094 Fax:01293 614135
SMC Pneumatics (UK) Ltd
Crawley Regional Centre
9 Pelham Court, Pelham Place, Broadfield
Crawley
RH11 9AZ

CUMBERNAULD
Tel:01236 781133 Fax:01236 780611
SMC Pneumatics (UK) Ltd
Scottish Regional Centre
1 Carrisdale Crescent,
Broadwood Business Park, Cumbernauld
Glasgow
G68 9LE

DROITWICH
Tel:01905 774544 Fax:01905 797343
SMC Pneumatics (UK) Ltd
Droitwich Regional Centre
Hampton Park, Hampton Lovett
Droitwich, Worcestershire
WR9 0NX

IPSWICH
Tel:01473 240040 Fax:01473 747707
SMC Pneumatics (UK) Ltd
Ipswich Regional Centre
Unit 6 & 7, Alpha Business Park
15-18 Whitehouse Road, Ipswich, Suffolk
IP1 5LT

MANCHESTER
Tel:0161 876 7371 Fax:0161 876 7372
SMC Pneumatics (UK) Ltd
Manchester Regional Centre
3 Modwen Road, Waters Edge Business Park
Ordsall Lane, Salford, Manchester
M5 3EZ

MILTON KEYNES
Tel:01908 265247 Fax:01908 262705
SMC Pneumatics (UK) Ltd
Vincent Avenue, Crownhill, Milton Keynes
MK8 0AN

NEWCASTLE
Tel:0191 487 2040 Fax:0191 487 2041
SMC Pneumatics (UK) Ltd
Newcastle Regional Centre
Unit B6, Marquis Court, Marquis Way
Team Valley Trading Estate, Gateshead
Tyne & Wear
NE11 0RU

POOLE
Tel:01202 732233 Fax:01202 737743
SMC Pneumatics (UK) Ltd
Poole Regional Centre
Unit 4, Acorn Business Centre, Ling Road
Poole, Dorset
BH12 4NZ

SHEFFIELD
Tel:01909 565504 Fax:01909 569717
SMC Pneumatics (UK) Ltd
Sheffield Regional Centre
Unit 4, North Anston Business Park
Houghton Road, North Anston, Sheffield
S25 4JU

SMC UK Distributors

Birmingham
JAMES LISTER
Tel: 0121 5803800
Fax: 0121 5535951

Blackburn
BLACKBURN PNEUMATIC SYSTEMS LTD
Tel: 01254 682232
Fax: 01254 682224

Bristol
APPLIED AUTOMATION
Tel: 0117 9827769
Fax: 0117 9235522

Bury St Edmunds
PNEUMATIC LINES
Tel: 01284 706239
Fax: 01284 761218

Cardiff
WALES FLUID POWER
Tel: 02920 494551
Fax: 02920 481955

Plymouth
APPLIED AUTOMATION
Tel: 01752 343300
Fax: 01752 341161