

With Stable Lubrication Function (Lube-retainer)

Dual Rod Cylinder/ Compact Type

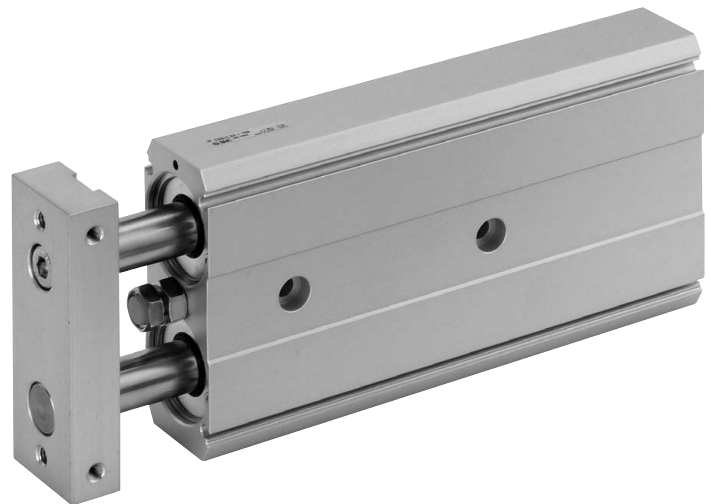
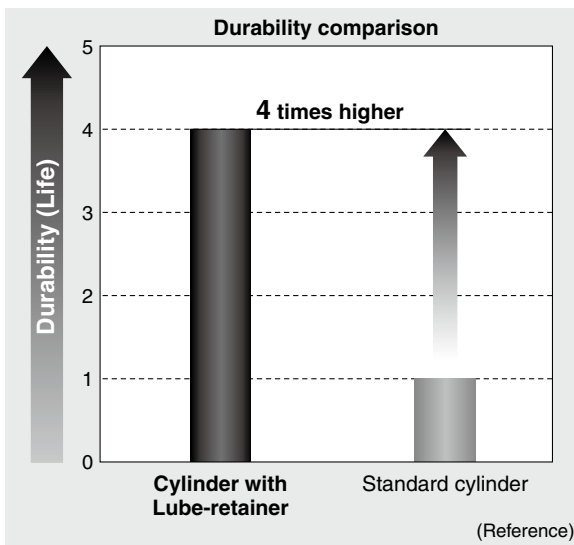
ø6, ø10, ø15, ø20, ø25, ø32



4 times the durability of

10 to 100 μm

the standard model in **micro-powder environments**



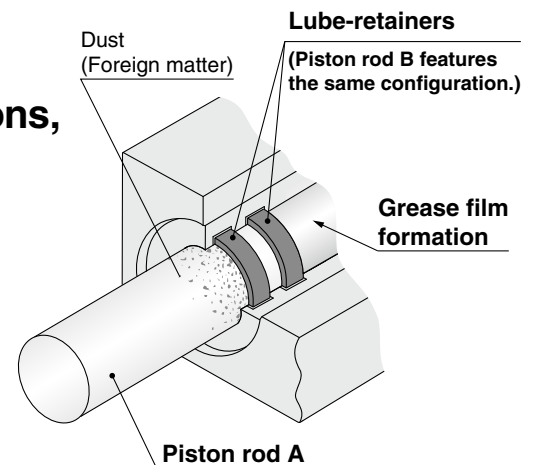
Comparison with the standard model
(Relative ratio of B₁₀)

* This durability test was conducted in accordance with SMC test conditions.

As Lube-retainers are mounted in two locations, grease film is formed on the piston rod surface, improving durability.

This construction allows for the prevention of the entry of dust and foreign matter.

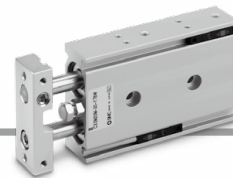
The number of operating cycles can be improved even in general environments.



CXSJ Series



18-E690



How to Order

CXS J M 20 M - 100 - M9BW

Compact type

Bearing type

M	Slide bearing
L	Ball bushing bearing

With stable lubrication function (Lube-retainer)

Number of auto switches

Nil	2 pcs.
S	1 pc.
n	n pcs.

Auto switch

Nil	Without auto switch (Built-in magnet)
-----	---------------------------------------

* Applicable auto switch is the same as that of the standard model.

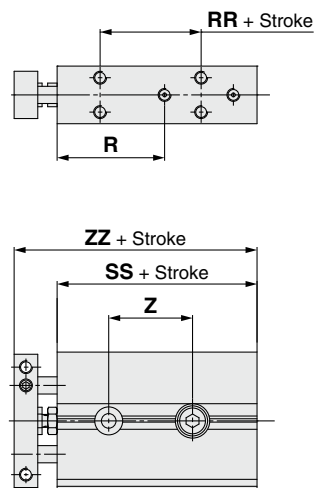
Bore size [mm]	Standard stroke [mm]
6	10, 20, 30, 40, 50
10	10, 20, 30, 40, 50, 75
15, 20 25, 32	10, 20, 30, 40, 50, 75, 100

Specifications

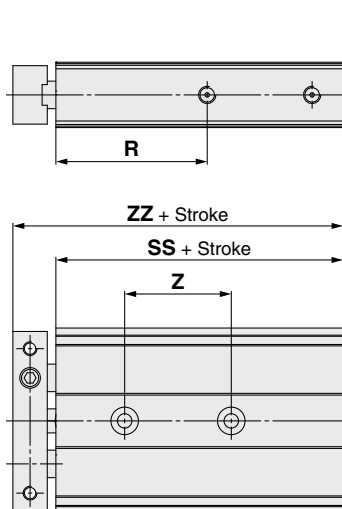
Bore size [mm]	6	10	15	20	25	32
Minimum operating pressure	0.2 MPa	0.15 MPa		0.1 MPa		
Piston speed	50 to 800 mm/s		50 to 700 mm/s		50 to 600 mm/s	
Other specifications	Same as the standard model					
Dimensions	See below.					

Dimensions (Dimensions other than those shown below are the same as those of the standard model.)

CXSJ□6, 10M



CXSJ□15 to 32M



Model	R	RR	SS	ZZ
CXSJ□6M	25	13.5	36.5	46.5
CXSJ□10M	33.5	17	49.5	61
CXSJ□15M	44	—	63.5	76
CXSJ□20M	51	—	73.5	90
CXSJ□25M	52	—	76.5	93
CXSJ□32M	66	—	90.5	110.5

Model	Symbol Stroke	Z [mm]						
		10	20	30	40	50	75	100
CXSJ□6M		19.5	29.5	39.5	49.5	59.5	—	—
CXSJ□10M		23	33	43	53	63	88	—
CXSJ□15M		31		41		51		61
CXSJ□20M		36		46		66		
CXSJ□25M		37		47		67		
CXSJ□32M		50		60		80		

⚠ Safety Instructions Be sure to read the "Handling Precautions for SMC Products" (M-E03-3) and "Operation Manual" before use.