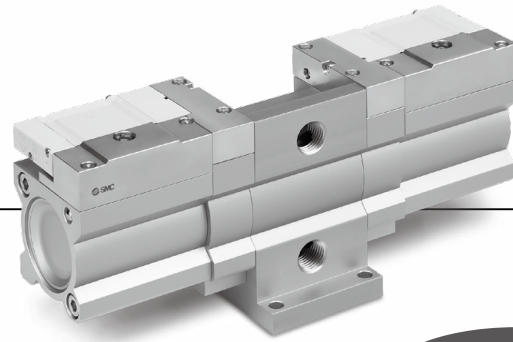


Booster Regulator



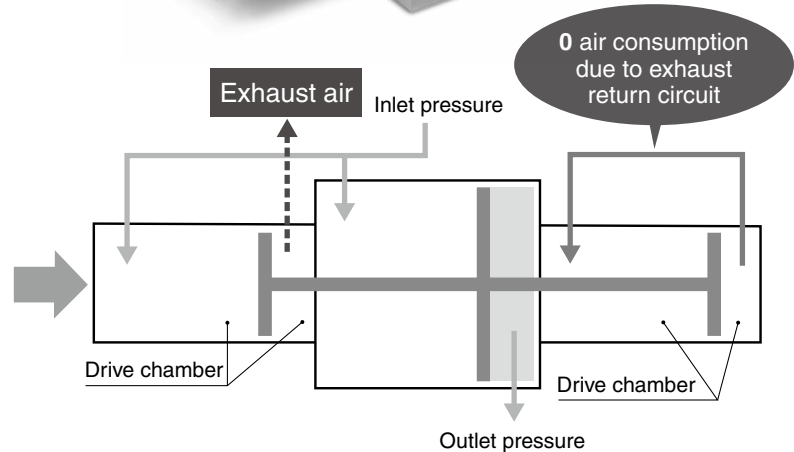
RoHS

Size: 10A

**Air consumption
40% reduction^{*1}**

- 3 piston construction
- The drive chamber on one side can be operated by the exhaust return circuit.

*1 Based on SMC's measuring conditions



Operation noise: 65 dB(A)^{*1}

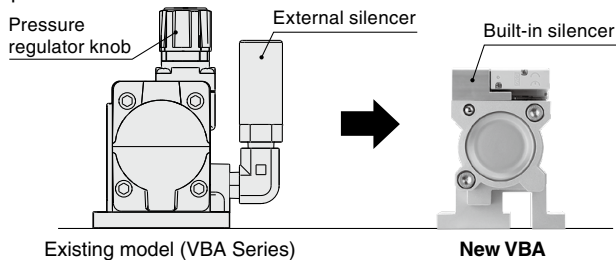
*1 Based on SMC's measuring conditions

15 dB (A) reduction compared with the existing model (VBA series)

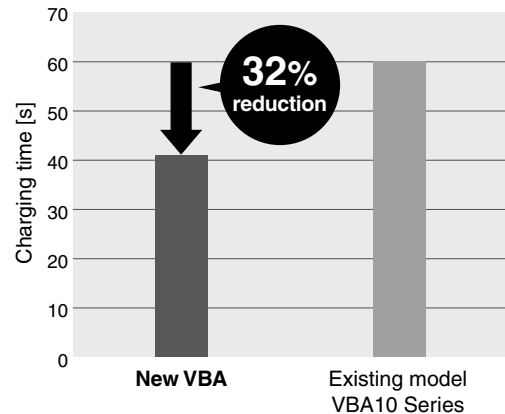
- Exhaust noise: Reduced noise due to exhaust of reused low-pressure air
- Metal noise: Reduced noise due to the adoption of a construction in which the internal switching part doesn't come into contact with any metal parts

Simple, compact shape

- Built-in silencer
- No longer any need for a pressure regulator knob due to the fixed pressure increase ratio



Charging time: 32% shorter



* Inlet pressure: 0.4 MPa, Air tank: 10 L

Mounting compatibility with the existing model (VBA series)

- Can be mounted on an air tank (VBAT series)
(The air tank must be ordered separately.)



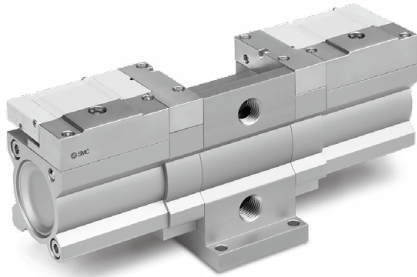
Can be mounted vertically



VBA-X3145

VBA-X3145

Specifications

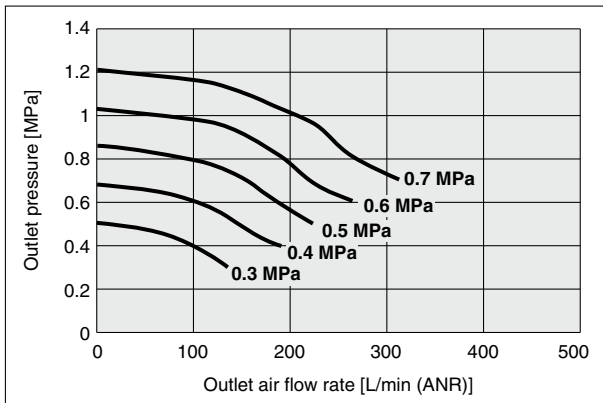


Model	VBA-X3145	
Fluid	Compressed air	
Pressure increase ratio	1.7 times (Fixed)	
Pressure adjustment mechanism	None	
Max. flow rate*1	L/min (ANR)	230
Outlet pressure range	MPa	0.3 to 1.2
Inlet pressure range	MPa	0.2 to 0.7
Proof pressure	MPa	1.8
Port size (IN, OUT)	Rc1/4	
Tank connection port (with plug)	Rc1/4	
Ambient and fluid temperatures	°C	2 to 50 (No freezing)
Installation	Horizontal, Vertical	
Lubrication	Grease (Non-lube)	
Weight	kg	1.2

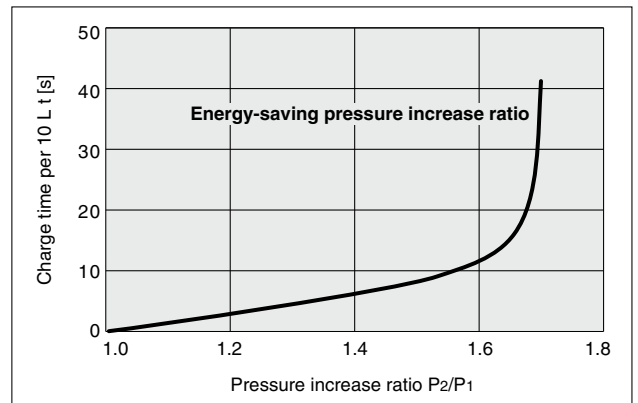
*1 Flow rate at IN = OUT = 0.5 MPa.

Flow Rate Characteristics/Charge Characteristics

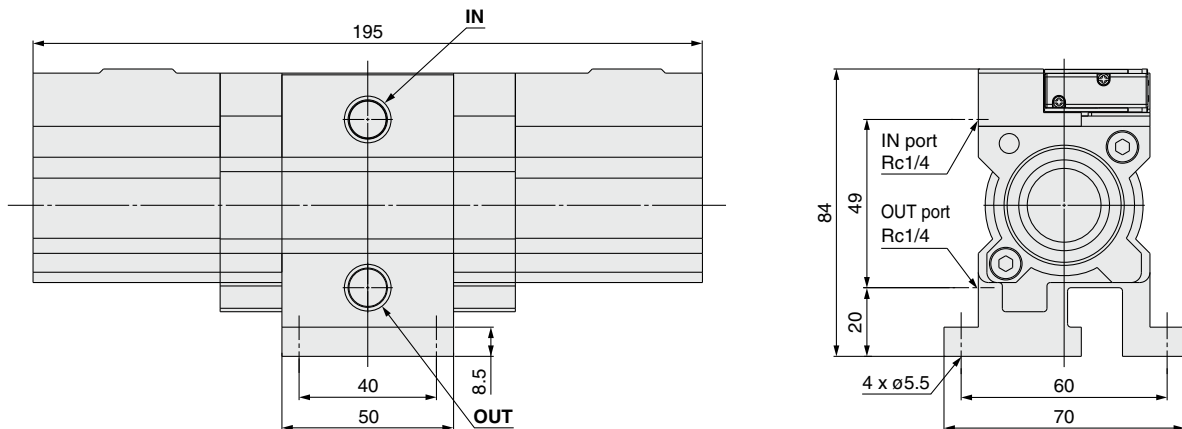
Flow rate characteristics



Charge characteristics



Dimensions



⚠ Safety Instructions Be sure to read the "Handling Precautions for SMC Products" (M-E03-3) and "Operation Manual" before use.

SMC Corporation

Akihabara UDX 15F,
4-14-1, Sotokanda, Chiyoda-ku, Tokyo 101-0021, JAPAN
Phone: 03-5207-8249 Fax: 03-5298-5362
<https://www.smcworld.com>
© 2019 SMC Corporation All Rights Reserved

Specifications are subject to change without prior notice and any obligation on the part of the manufacturer.