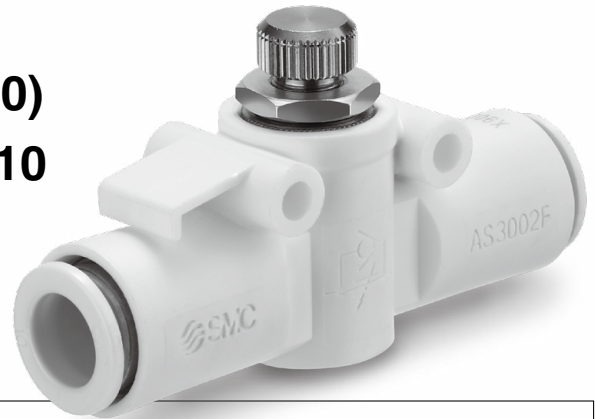
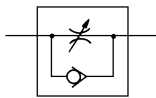


Flame Resistant (Equivalent to UL-94 Standard V-0) Speed Controller with One-touch Fittings In-line Type



- Uses flame-resistant resin (Equivalent to UL-94 Standard V-0)
- Applicable tubing O.D.: $\varnothing 6$, $\varnothing 8$, $\varnothing 10$

Symbol



Related Products

Speed Controller with One-touch Fitting AS□2□1F-W2



Speed Controller Adjustable by Flat Head Screwdriver with One-touch Fitting AS□2□1F-W2D



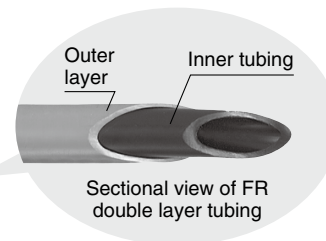
Speed Exhaust Controller ASV



FR Soft Nylon Tubing TRS



FR Double Layer Tubing TRB/TRBU



Model

Model	Applicable tubing O.D.		
	Metric size		
	6	8	10
AS2052F-06-X900	●		
AS2052F-08-X900		●	
AS3002F-10-X900			●

Specifications

Specifications not listed are the same as those of the standard product. For details, refer to the [Web Catalog](#).

Fluid	Air
Proof pressure	1.05 MPa
Max. operating pressure	0.7 MPa
Min. operating pressure	0.1 MPa
Ambient and fluid temperatures	-5 to 60°C (No freezing)
Applicable tubing materials	FR double layer, FR soft nylon*1

*1 Use caution when operating at the max. operating pressure. (Refer to the [Web Catalog](#) for details on tubing.)

* Brass parts are electroless nickel plated.

AS-X900



19-E709

AS-X900

How to Order

AS **205** 2F - **06** - X900

Body size

205	1/4 standard
300	3/8 standard

Flame resistant (Equivalent to UL-94 Standard V-0)

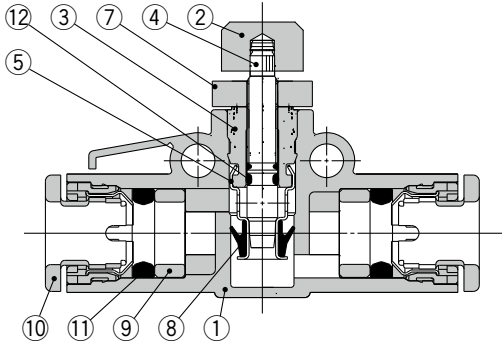
Applicable tubing O.D.*1

06	ø6
08	ø8
10	ø10

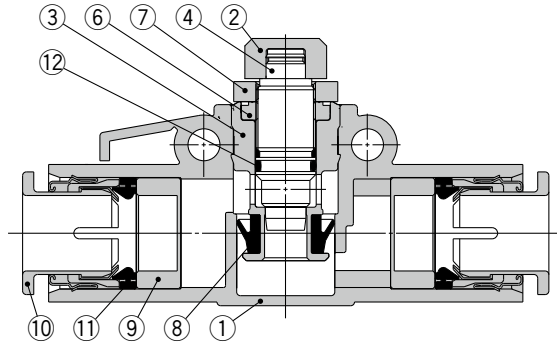
*1 To select the applicable tubing O.D., refer to the "Model" chart on the cover page.

Construction

AS2052F-X900



AS3002F-X900

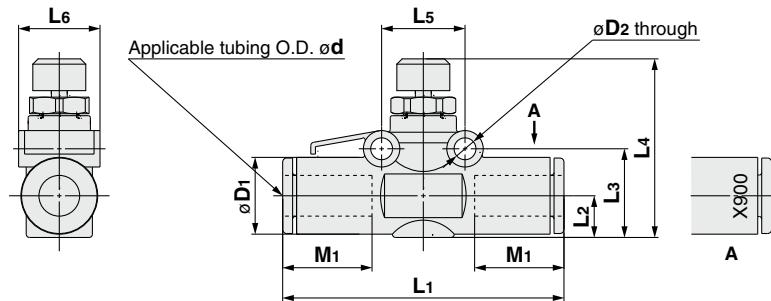


Component Parts

No.	Description	Material	Note
1	Body A	Flame-resistant PBT	
2	Knob	Brass	Electroless nickel plating
3	Body B	Brass	Electroless nickel plating
4	Needle	Brass	Electroless nickel plating
5	Seat ring	Brass	Electroless nickel plating
6	Needle guide	Brass	Electroless nickel plating

No.	Description	Material	Note
7	Lock nut	Steel	
8	U-seal	HNBR	
9	Spacer	PBT	
10	Cassette	—	
11	Seal	NBR	
12	O-ring	NBR	

Dimensions



Model	Applicable tubing O.D. d	D1	D2	L1	L2	L3	L4*1		L5	L6	M1	Weight [g]
							Max.	Min.				
AS2052F-06-X900	6	12.8	4.3	53.2	6.7	16.3	33.2	28.2	17	15.7	17	20
AS2052F-08-X900	8	15.2	4.3	57.2	8	17.6	34.5	29.5	17	16.1	18	23
AS3002F-10-X900	10	18.5	4.3	70.8	9.8	21.7	41	36	22	20.5	21	43

*1 Reference dimensions

⚠ Caution

Be sure to read this before handling the products. For safety instructions and flow control equipment precautions, refer to the "Handling Precautions for SMC Products" and the "Operation Manual" on the SMC website: <https://www.smcworld.com>

⚠ Safety Instructions Be sure to read the "Handling Precautions for SMC Products" (M-E03-3) and "Operation Manual" before use.