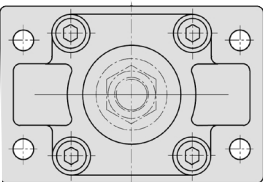
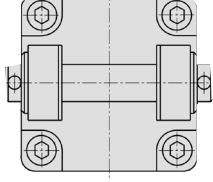
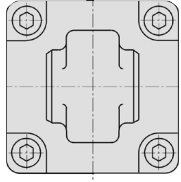
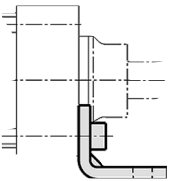
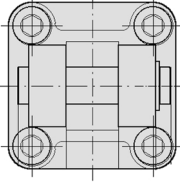
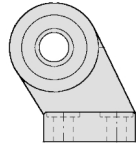
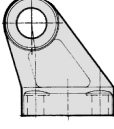


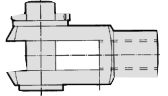
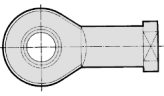
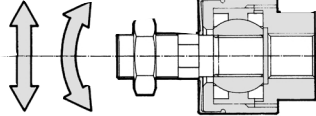
## Series CP95

### How to order mounting accessories

#### Mounting accessories, cylinders

Ø bore	<b>F</b> Front/rear flange	<b>D</b> Female rear clevis (corresponds to E accessories)	<b>C</b> Male rear clevis	
	 Supplied with 4 screws	 Supplied with bolt, safety device and 4 screws	 Supplied with 4 screws	
32 40 50 63 80 100	F5032 F5040 F5050 F5063 F5080 F5100  See page 10 for dimensions	D5032 D5040 D5050 D5063 D5080 D5100  See pages 10/11 for dimensions	<u>Plain</u> C5032 C5040 C5050 C5063 C5080 C5100  See pages 10/11 for dimensions <small>Note: See page 11 for male rear clevis with swivel CS50</small>	
	<b>L</b> Foot	<b>DS</b> Female rear clevis (for ES accessory)	<b>ES</b> Angled rear clevis with ball joint	<b>E</b> Angled rear clevis
	 Supplied with two pieces			
32 40 50 63 80 100	L5032 L5040 L5050 L5063 L5080 L5100  See page 10 for dimensions	DS5032 DS5040 DS5050 DS5063 DS5080 DS5100  See page 12 for dim.	ES5032 ES5040 ES5050 ES5063 ES5080 ES5100  See page 12 for dim.	E5032 E5040 E5050 E5063 E5080 E5100  See page 11 for dimensions

#### Mounting accessories, rod

Ø bore	<b>GKM</b> Rod clevis DIN 71752	<b>KJ</b> Piston rod ball joint DIN 648	<b>JA</b> Floating joint
	 Supplied with bolts and safety devices		
32 40 50 63 80 100	GKM 10-20 GKM12-24 GKM16-32 GKM16-32 GKM20-40 GKM20-40  See page 18 for dimensions	KJ10DM10X1.25 KJ12D KJ16D KJ16D KJ20D KJ20D  See page 18 for dimensions	JA30-10-125 JA40-12-125 JA50-16-150 JA50-16-150 JAH50-20-150 JAH50-20-150  See page 18 for dimensions