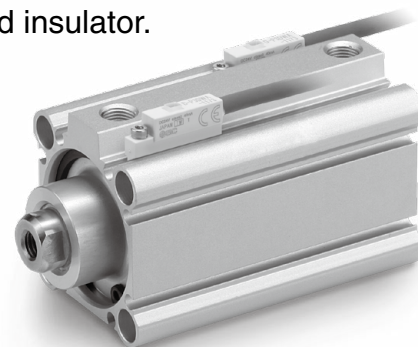
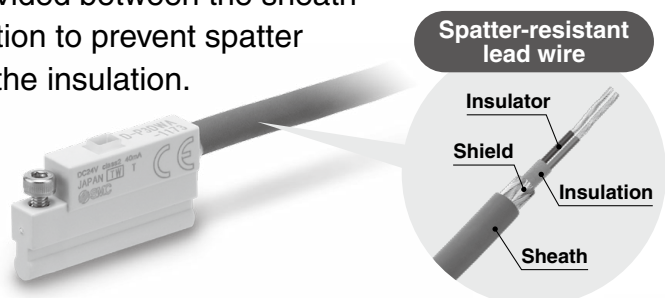


Arc Welding Spatter-resistant Lead Wire Type Magnetic Field-resistant Solid State Auto Switch



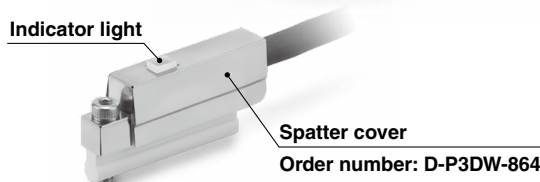
Improved lead wire spatter resistance

- Special fluorine compounds are used for the sheath, insulation, and insulator.
- A shield is provided between the sheath and the insulation to prevent spatter from entering the insulation.



A type with a spatter cover is available.

- The metal cover (Material: Stainless steel) covers the body to prevent spatter adhesion.
- The cover is retrofittable.



Specifications

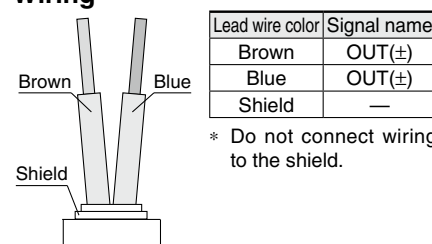
Auto Switch Specifications

Model	D-P3DWA□-1173	D-P3DWA□-1173A
Wiring type	2-wire	
Load voltage	24 VDC (20 to 28 VDC)	
Load current	6 to 40 mA	
Internal voltage drop	5 V or less	
Leakage current	1 mA or less at 24 VDC	
Operating time	40 ms or less	
Indicator light	Operating position: Red LED lights up. Proper operating range: Green LED lights up.	
Lead wire	Lead wire with double-sheath shield ø4.7, 0.3 mm ² , 2 cores	
Impact resistance	1000 m/s ²	
Insulation resistance	50 MΩ or more (500 VDC measured via megohmmeter) (between the lead wire and case)	
Withstand voltage	1000 VAC for 1 min (between the lead wire and case)	
Ambient temperature	-10 to 60°C	
Enclosure	IEC60529 Standard IP67	
Standard	CE marking (EMC directive, RoHS directive)	
Applicable cylinders	Same as those for the D-P3DWA magnetic field-resistant auto switch	
Spatter cover	None	With spatter cover*1

Lead Wire Specifications

Model	D-P3DWA□-1173	
Sheath	O.D. [mm]	ø4.7
Insulation	O.D. [mm]	ø2.7
Insulator	Number of cores	2 cores (Brown/Blue)
	O.D. [mm]	ø1.12
Conductor	Effective area [mm ²]	0.3
	Strand diameter [mm]	ø0.08

Wiring



*1 The cylinder shown on the right is not applicable. MD(L)U, C(L)KG□, and CD(N)A2 (ø40, ø50)

How to Order

D-P3DWA **L** -1173 □

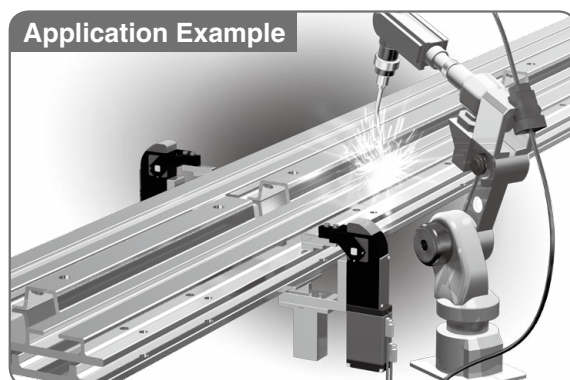
Lead wire length

L	3 m
Z	5 m

Spatter cover

Nil	Without spatter cover
A	With spatter cover

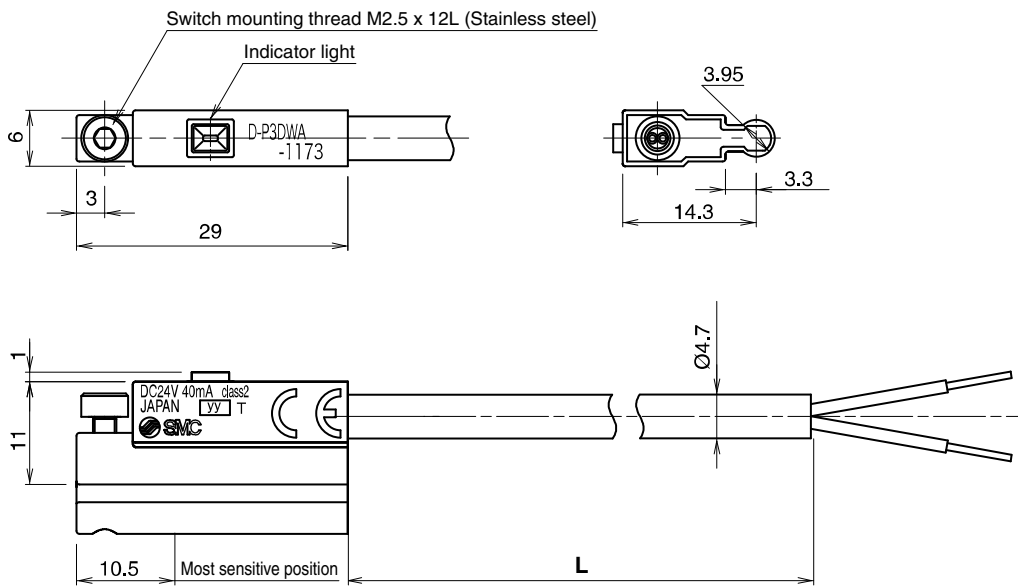
D-P3DWA□-1173□



D-P3DWA□-1173□

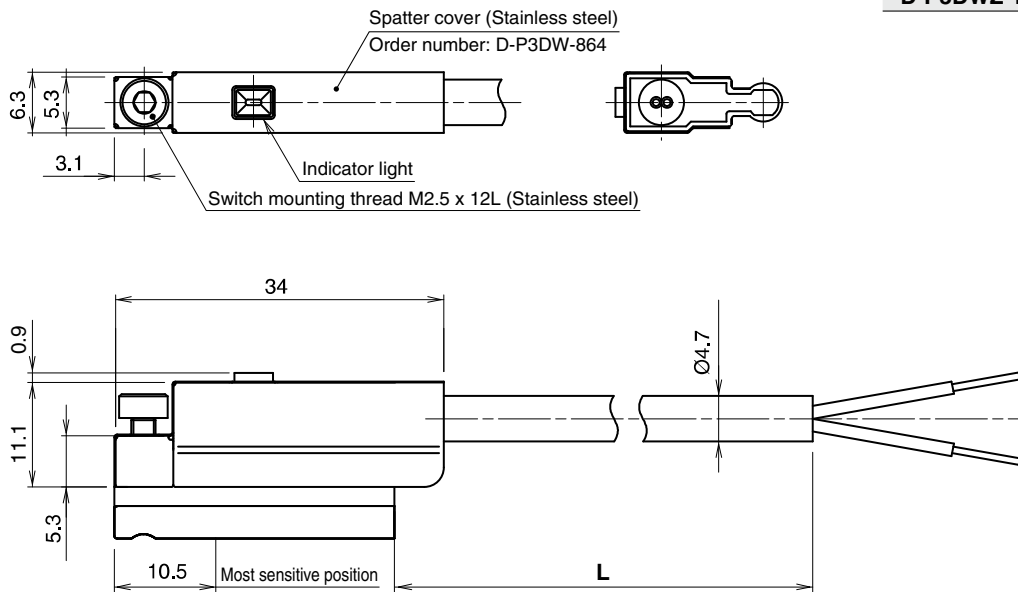
Dimensions

D-P3DWAL/Z-1173



[mm]	
Model	Lead wire length (L)
D-P3DWL-1173(A)	3000
D-P3DWZ-1173(A)	5000

D-P3DWAL/Z-1173A (With spatter cover)



⚠ Safety Instructions Be sure to read the "Handling Precautions for SMC Products" (M-E03-3) and "Operation Manual" before use.