

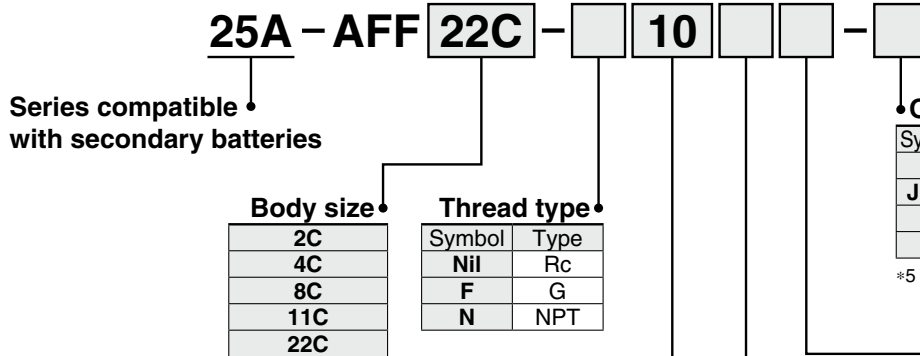
Main Line Filter

25A-AFF Series



How to Order

25A-AFF2C to 25A-AFF22C



Bracket Assembly Part Nos.^{*3}

Applicable model	Part no.
25A-AFF2C	25A-AM-BM101
25A-AFF4C	25A-AM-BM102
25A-AFF8C	25A-AM-BM103
25A-AFF11C	25A-AM-BM104
25A-AFF22C	25A-AM-BM105

*3 Assembly of a bracket and 2 mounting screws

Port size

Symbol	Size	Applicable body size				
		2C	4C	8C	11C	22C
01	1/8	●	—	—	—	—
02	1/4	●	●	—	—	—
03	3/8	—	●	●	—	—
04	1/2	—	—	●	●	—
06	3/4	—	—	—	●	●
10	1	—	—	—	—	●

Auto drain^{*4}

Symbol	Description
Nil	Drain cock (Without auto drain)
C	N.C. auto drain
D	N.O. auto drain

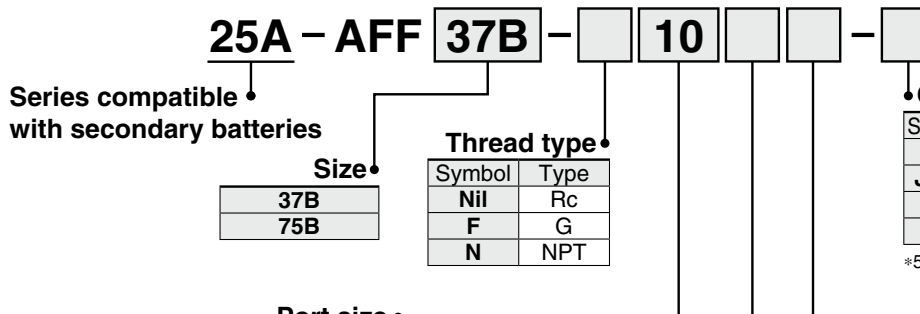
*4 Only one drain exhaust method can be selected. The drain cock, N.C. auto drain, N.O. auto drain and drain guide cannot be selected together.

Accessory

Symbol	Description
Nil	—
B	Bracket ^{*2}

*2 When symbol "B" is indicated, a bracket assembly with a part number shown in the left table is shipped together as an accessory, (but not assembled).

25A-AFF37B/75B



Symbol	Size	Applicable body size	
		37B	75B
10	1	●	—
14	1 1/2	●	●
20	2	—	●

Bracket Assembly Part Nos.^{*3}

Applicable model	Part no.
25A-AFF37B	25A-BM56
25A-AFF75B	25A-BM57

*3 Assembly of a bracket and 2 mounting screws

Accessory

Symbol	Description
Nil	—
B	Bracket ^{*1}

*1 When symbol "B" is indicated, a bracket assembly with a part number shown in the left table is shipped together as an accessory, (but not assembled).

Auto drain^{*4}

Symbol	Description
Nil	Drain cock (Without auto drain) ^{*2}
D	N.O. auto drain (37B only)

*2 Body size 75B is equipped with a ball valve (Rc 3/8 female threaded).

*4 Body size 37B: Only one drain exhaust method can be selected. The drain cock, N.O. auto drain and drain guide cannot be selected together.

* The 25A- series specifications and dimensions are the same as those of the standard model.

[Click here for details.](#)

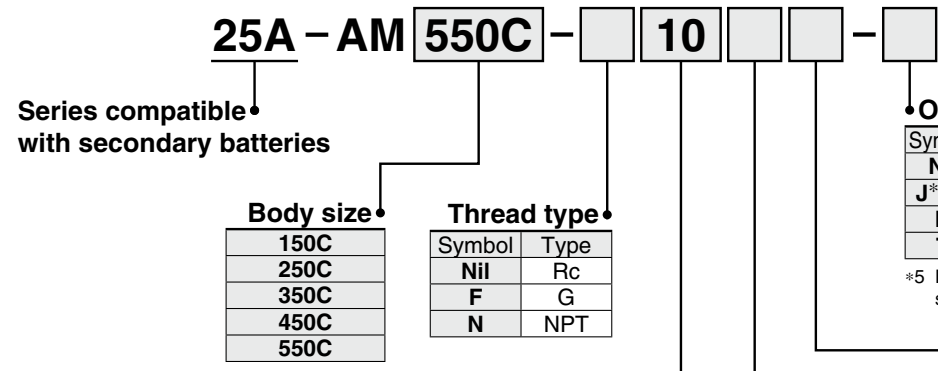
Mist Separator

25A-AM Series



How to Order

25A-AM150C to 25A-AM550C



Bracket Assembly Part Nos.*3

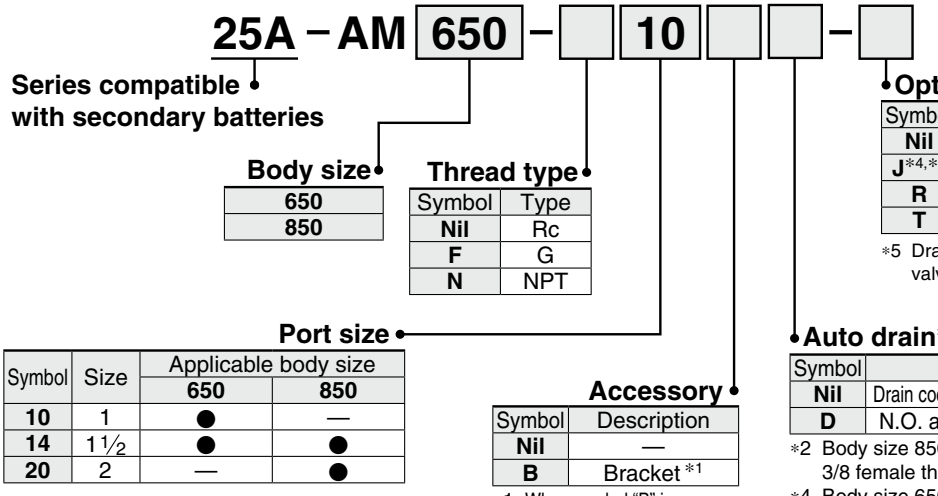
Applicable model	Part no.
25A-AM150C	25A-AM-BM101
25A-AM250C	25A-AM-BM102
25A-AM350C	25A-AM-BM103
25A-AM450C	25A-AM-BM104
25A-AM550C	25A-AM-BM105

*3 Assembly of a bracket and 2 mounting screws

Port size

Symbol	Size	Applicable body size				
		150C	250C	350C	450C	550C
01	1/8	●	—	—	—	—
02	1/4	●	—	—	—	—
03	3/8	—	●	—	—	—
04	1/2	—	—	●	●	—
06	3/4	—	—	—	●	●
10	1	—	—	—	—	●

25A-AM650/850



Bracket Assembly Part Nos.*3

Applicable model	Part no.
25A-AM650	25A-BM56
25A-AM850	25A-BM57

*3 Assembly of a bracket and 2 mounting screws

* The 25A- series specifications and dimensions are the same as those of the standard model.

[Click here for details.](#)



Directional Control Valves

Air Cylinders

Related Products

Rotary Actuators

Air Grippers

Vacuum Equipment

Air Preparation Equipment

Clean Air Filters

Modular F.R.L./Pressure Control Equipment

Fittings/Flow Control Equipment

Detection Switches

Fluid Control Equipment

Electric Actuators

Auto Switches

Micro Mist Separator 25A-AMD Series



How to Order

25A-AMD150C to 25A-AMD550C

25A - AMD 550C - [] - [] - [] - []

Series compatible with secondary batteries

Body size

150C
250C
350C
450C
550C

Thread type

Symbol	Type
Nil	Rc
F	G
N	NPT

Option

Symbol	Description
Nil	—
J*4,*5	Drain guide 1/4 female threaded
R	IN-OUT reversal direction
T	With element service indicator

*5 Drain piping and piping for a stop valve such as ball valve are required.

Auto drain*4

Symbol	Description
Nil	Drain cock (Without auto drain)
C	N.C. auto drain
D	N.O. auto drain

*4 Only one drain exhaust method can be selected. The drain cock, N.C. auto drain, N.O. auto drain and drain guide cannot be selected together.

Accessory

Symbol	Description
Nil	—
B	Bracket *2

*2 When symbol "B" is indicated, a bracket assembly with a part number shown in the left table is shipped together as an accessory, (but not assembled).

Port size

Symbol	Size	Applicable body size				
		150C	250C	350C	450C	550C
01	1/8	●	—	—	—	—
02	1/4	●	●	—	—	—
03	3/8	—	●	●	—	—
04	1/2	—	—	●	●	—
06	3/4	—	—	—	●	●
10	1	—	—	—	—	●

Bracket Assembly Part Nos.*3

Applicable model	Part no.
25A-AMD150C	25A-AM-BM101
25A-AMD250C	25A-AM-BM102
25A-AMD350C	25A-AM-BM103
25A-AMD450C	25A-AM-BM104
25A-AMD550C	25A-AM-BM105

*3 Assembly of a bracket and 2 mounting screws

25A-AMD650/850

25A - AMD 650 - [] - [] - [] - []

Series compatible with secondary batteries

Body size

650
850

Thread type

Symbol	Type
Nil	Rc
F	G
N	NPT

Option

Symbol	Description
Nil	—
J*4,*5	Drain guide 1/4 female threaded (650 only)
R	IN-OUT reversal direction
T	With element service indicator

*5 Drain piping and piping for a stop valve such as ball valve are required.

Auto drain*4

Symbol	Description
Nil	Drain cock (Without auto drain) *2
D	N.O. auto drain (650 only)

*2 Body size 850 is equipped with a ball valve (Rc 3/8 female threaded).

*4 Body size 650: Only one drain exhaust method can be selected. The drain cock, N.O. auto drain and drain guide cannot be selected together.

Accessory

Symbol	Description
Nil	—
B	Bracket *1

*1 When symbol "B" is indicated, a bracket assembly with a part number shown in the left table is shipped together as an accessory, (but not assembled).

Port size

Symbol	Size	Applicable body size	
		650	850
10	1	●	—
14	1 1/2	●	●
20	2	—	●

Bracket Assembly Part Nos.*3

Applicable model	Part no.
25A-AMD650	25A-BM56
25A-AMD850	25A-BM57

*3 Assembly of a bracket and 2 mounting screws

* The 25A- series specifications and dimensions are the same as those of the standard model. [Click here for details.](#)

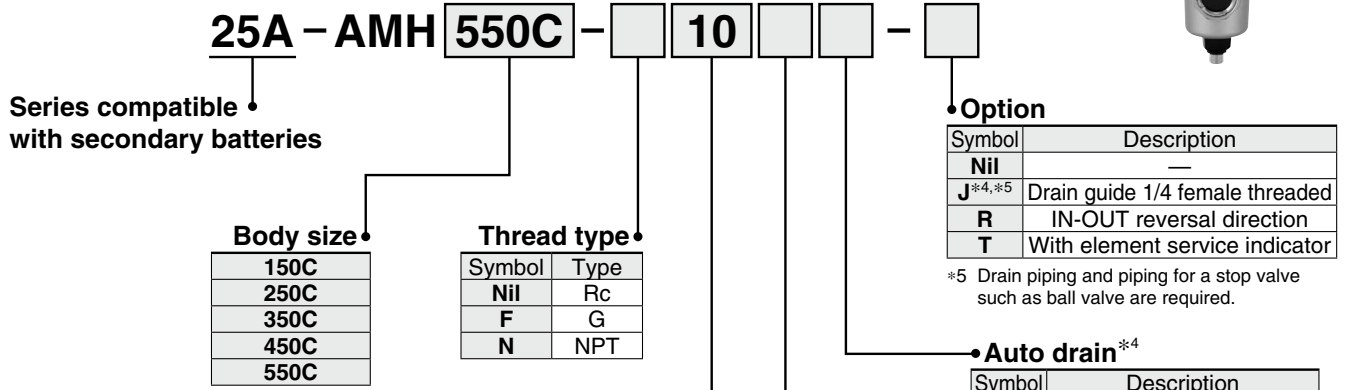
Micro Mist Separator with Pre-filter 25A-AMH Series

RoHS



How to Order

25A-AMH150C to 25A-AMH550C

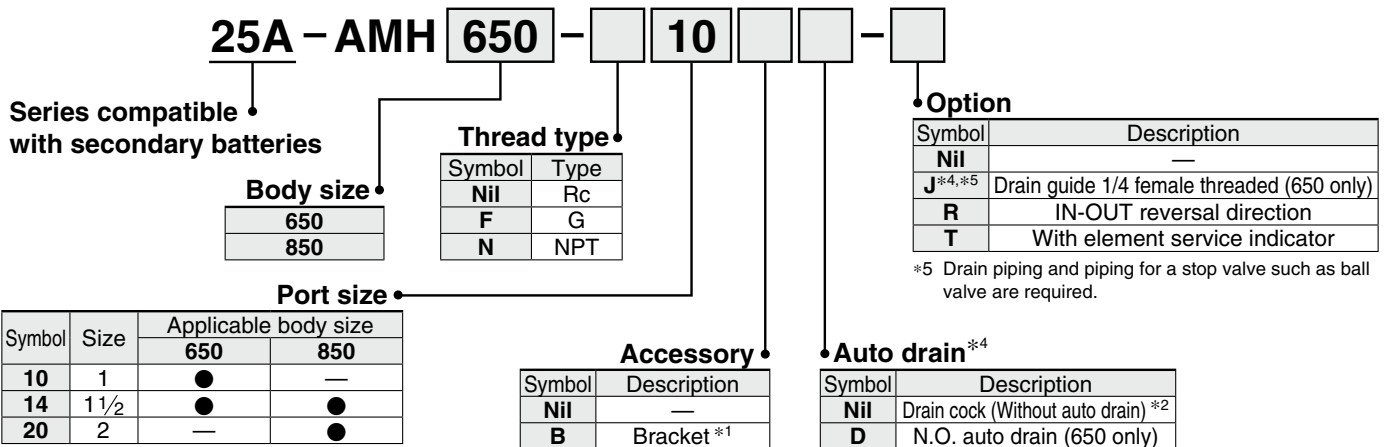


Bracket Assembly Part Nos.*3

Applicable model	Part no.
25A-AMH150C	25A-AMBM101
25A-AMH250C	25A-AMBM102
25A-AMH350C	25A-AMBM103
25A-AMH450C	25A-AMBM104
25A-AMH550C	25A-AMBM105

*3 Assembly of a bracket and 2 mounting screws

25A-AMH650/850



Bracket Assembly Part Nos.*3

Applicable model	Part no.
25A-AMH650	25A-BM56
25A-AMH850	25A-BM57

*3 Assembly of a bracket and 2 mounting screws

* The 25A- series specifications and dimensions are the same as those of the standard model. [Click here for details.](#)

Exhaust Cleaner for Clean Room

25A-AMP Series

RoHS



How to Order

25A - AMP 2 0 - 03 [] - []

Series compatible with secondary batteries

Size

2
3
4

Port size

Symbol	Port size	Size		
		2	3	4
02	Rc1/4	●	—	—
03	Rc3/8	●	●	—
04	Rc1/2	—	●	●
06	Rc3/4	—	—	●

Semi-standard specifications

Symbol	Description
Nil	None
R	Flow direction Right→Down*3
T	With element service indicator

*3 Flow direction when the nameplate is viewed from the front. Indicate RT when combining.

Accessories

Symbol	Name
Nil	None
B	With bracket*1

*1 When symbol "B" is indicated, a bracket assembly with a part number shown in the left table is shipped together as an accessory, (but not assembled).

Bracket Assembly Part Nos.*2

Applicable model	Part no.
25A-AMP220	25A-BM66
25A-AMP320	25A-BM67
25A-AMP420	25A-BM68

*2 Assembly of a bracket and 2 mounting screws

* The 25A- series specifications and dimensions are the same as those of the standard model.

[Click here for details.](#)

Air Filter

25A-AF20-A to 25A-AF60-A



How to Order

25A - AF **30** - **03** **B** - **A**

① ② ③ ④ ⑤

• Series compatible with secondary batteries

- Option/Semi-standard: Select one each for **a** to **c**.
- Option/Semi-standard symbol: When more than one specification is required, indicate in alphanumeric order.
Example) 25A-AF30-N03B-RZ-A

		Symbol	Description	① Body size					
				20	30	40	50	60	
②	Pipe thread type	Nil	Rc	●	●	●	●	●	
		N	NPT	●	●	●	●	●	
		F	G	●	●	●	●	●	
		+							
③	Port size	01	1/8	●	—	—	—	—	
		02	1/4	●	●	●	—	—	
		03	3/8	—	●	●	—	—	
		04	1/2	—	—	●	—	—	
		06	3/4	—	—	●	●	—	
		10	1	—	—	—	●	●	
		+							
④ Option	a	Mounting	Nil	Without mounting option	●	●	●	●	●
			B*1	With bracket	●	●	●	●	●
		+							
⑤ Semi-standard	b	Flow direction	Nil	Flow direction: Left to right	●	●	●	●	●
			R	Flow direction: Right to left	●	●	●	●	●
		+							
	c	Pressure unit	Nil	Name plate and caution plate for bowl in SI units: MPa	●	●	●	●	●
			Z*2	Name plate and caution plate for bowl in imperial units: psi, °F	○*2	○*2	○*2	○*2	○*2

*1 A bracket is not assembled and supplied loose at the time of shipment. Including 2 mounting screws.

*2 ○ : For pipe thread type: NPT. This product is for overseas use only according to the New Measurement Law.
(The SI unit type is provided for use in Japan.)

* The 25A- series specifications and dimensions are the same as those of the standard model.

[Click here for details.](#)

Bracket, Bowl Assembly Part Nos. for the 25A- Series

Option \ Model	25A-AF20-A	25A-AF30-A	25A-AF40-A	25A-AF40-06-A	25A-AF50-A 25A-AF60-A
Bracket assembly *1	25A-AF22P-050AS	25A-AF32P-050AS	25A-AF42P-050AS	25A-AF42P-070AS	25A-AF52P-050AS
Bowl assembly	25A-C2SF-A	25A-C3SF-A	25A-C4SF-A		

*1 Assembly of a bracket and 2 mounting screws.

Directional Control Valves
Air Cylinders
Related Products
Rotary Actuators
Air Grippers
Vacuum Equipment
Air Preparation Equipment
Clean Air Filters
Modular FRL/Pressure Control Equipment
Fittings/Flow Control Equipment
Detection Switches
Fluid Control Equipment
Electric Actuators
Auto Switches

Mist Separator

25A-AFM20-A to 25A-AFM40-A

Micro Mist Separator

25A-AFD20-A to 25A-AFD40-A



- 25A-AFM Series Nominal filtration rating: 0.3 μm
- 25A-AFD Series Nominal filtration rating: 0.01 μm

How to Order

25A - AFM **30** - **03** **B** - **A**

25A - AFD **30** - **03** **B** - **A**

① ② ③ ④ ⑤

• Series compatible with secondary batteries

- Option/Semi-standard: Select one each for a to c.
- Option/Semi-standard symbol: When more than one specification is required, indicate in alphanumeric order. Example) 25A-AFM30-N03B-RZ-A

	Symbol	Description	①				
			Body size				
			20	30	40		
②	Pipe thread type	Nil	Rc	●	●	●	
		N	NPT	●	●	●	
		F	G	●	●	●	
+							
③	Port size	01	1/8	●	—	—	
		02	1/4	●	●	●	
		03	3/8	—	●	●	
		04	1/2	—	—	●	
		06	3/4	—	—	●	
+							
④	Option a	Mounting	Nil	Without mounting option	●	●	●
			B*1	With bracket	●	●	●
+							
⑤	Semi-standard b	Flow direction	Nil	Flow direction: Left to right	●	●	●
			R	Flow direction: Right to left	●	●	●
+							
⑤	Semi-standard c	Pressure unit	Nil	Name plate and caution plate for bowl in SI units: MPa	●	●	●
			Z*2	Name plate and caution plate for bowl in imperial units: psi, °F	○*2	○*2	○*2

*1 A bracket is not assembled and supplied loose at the time of shipment. Including 2 mounting screws.

*2 ○ : For pipe thread type: NPT. This product is for overseas use only according to the New Measurement Law. (The SI unit type is provided for use in Japan.)

* The 25A- series specifications and dimensions are the same as those of the standard model.

[Click here for details.](#)

Bracket, Bowl Assembly Part Nos. for the 25A- Series

Model	25A-AFM20-A 25A-AFD20-A	25A-AFM30-A 25A-AFD30-A	25A-AFM40-A 25A-AFD40-A	25A-AFM40-06-A 25A-AFD40-06-A
Bracket assembly*1	25A-AF22P-050AS	25A-AF32P-050AS	25A-AF42P-050AS	25A-AF42P-070AS
Bowl assembly	25A-C2SF-A	25A-C3SF-A	25A-C4SF-A	

*1 Assembly of a bracket and 2 mounting screws.

Regulator

25A-AR20-B to 25A-AR60-B

Regulator with Backflow Function

25A-AR20K-B to 25A-AR60K-B



How to Order

25A - AR **30** **K** - **03** **B** - **03** - **B**

① ② ③ ④ ⑤ ⑥

• Series compatible with secondary batteries

- Option/Semi-standard: Select one each for a to f.
- Option/Semi-standard symbol: When more than one specification is required, indicate in alphanumeric order. Example) 25A-AR30K-03B-1NR-B

	Symbol	Description	①						
			Body size						
			20	25	30	40	50	60	
②	With backflow function	Nil	●	●	●	●	●	●	
		K	●	●	●	●	●	●	
+									
③	Pipe thread type	Nil	●	●	●	●	●	●	
		N	●	●	●	●	●	●	
		F	●	●	●	●	●	●	
+									
④	Port size	01	●	—	—	—	—	—	
		02	●	●	●	●	—	—	
		03	—	●	●	●	—	—	
		04	—	—	—	●	—	—	
		06	—	—	—	●	●	—	
+									
⑤	Option*1 a Mounting	Nil	●	●	●	●	●	●	
		B*2	●	●	●	●	●	●	
		H	●	●	●	●	—	—	
+									
⑥	b Set pressure	Nil	●	●	●	●	●	●	
		1*3	●	●	●	●	●	●	
	+								
	c Exhaust mechanism	Nil	●	●	●	●	●	●	
		N	●	●	●	●	●	●	
	+								
	d Flow direction	Nil	●	●	●	●	●	●	
		R	●	●	●	●	●	●	
	+								
	e Knob	Nil	●	●	●	●	●	●	
		Y	●	●	●	●	●	●	
	+								
f Pressure unit	Nil	●	●	●	●	●	●		
	Z*4	○*4	○*4	○*4	○*4	○*4	○*4		

- *1 Option "B", "H" are not assembled and supplied loose at the time of shipment.
- *2 Assembly of a bracket and set nuts (25A-AR20(K) to 25A-AR40(K)). Including 2 mounting screws for the 25A-AR50(K) and 25A-AR60(K).
- *3 Pressure can be set at the upper limit of the specification or more, however, be sure to set the pressure within specification.
- *4 ○: For pipe thread type: NPT. This product is for overseas use only according to the New Measurement Law. (The SI unit type is provided for use in Japan.)

* The 25A- series specifications and dimensions are the same as those of the standard model.

[Click here for details.](#)

Bracket, Set Nut Part Nos. for the 25A- Series

Option	Model	25A-AR20(K)-B	25A-AR25(K)-B	25A-AR30(K)-B	25A-AR40(K)-B	25A-AR50(K)-B 25A-AR60(K)-B
Bracket assembly*1		25A-AR23P-270AS	25A-AR28P-270AS	25A-AR33P-270AS	25A-AR43P-270AS	25A-AR52P-270AS*2
Set nut		AR23P-260S	AR28P-260S	AR33P-260S	AR43P-260S	—*3

- *1 Assembly of a bracket and set nuts.
- *2 Assembly of a bracket and 2 mounting screws.
- *3 Please consult with SMC regarding the set nuts for the 25A-AR50(K) and 25A-AR60(K).

Directional Control Valves
 Air Cylinders
 Related Products
 Rotary Actuators
 Air Grippers
 Vacuum Equipment
 Air Preparation Equipment
 Clean Air Filters
 Modular FRL Pressure Control Equipment
 Fittings/Flow Control Equipment
 Detection Switches
 Fluid Control Equipment
 Electric Actuators
 Auto Switches

Filter Regulator

25A-AW20-B to 25A-AW60-B

Filter Regulator with Backflow Function

25A-AW20K-B to 25A-AW60K-B



How to Order

25A - AW 30 K - 03 B - - **B**

① ② ③ ④ ⑤ ⑥

• Series compatible with secondary batteries

• Option/Semi-standard: Select one each for a to e.
 • Option/Semi-standard symbol: When more than one specification is required, indicate in alphanumeric order.
 Example) 25A-AW30K-03B-1N-B

		Symbol	Description	①					
				Body size					
				20	30	40	60		
②	With backflow function	Nil	Without backflow function	●	●	●	●		
		K	With backflow function	●	●	●	●		
+									
③	Pipe thread type	Nil	Rc	●	●	●	●		
		N	NPT	●	●	●	●		
		F	G	●	●	●	●		
+									
④	Port size	01	1/8	●	—	—	—		
		02	1/4	●	●	●	—		
		03	3/8	—	●	●	—		
		04	1/2	—	—	●	—		
		06	3/4	—	—	●	●		
		10	1	—	—	—	●		
+									
⑤	Option a	Mounting	Nil	Without mounting option	●	●	●	●	
			B*2	With bracket	●	●	●	●	
			H	With set nut (For panel fitting)	●	●	●	—	
+									
⑥	Semi-standard	b	Set pressure	Nil	0.05 to 0.85 MPa setting	●	●	●	●
				1*3	0.02 to 0.2 MPa setting	●	●	●	●
		+							
		c	Exhaust mechanism	Nil	Relieving type	●	●	●	●
				N	Non-relieving type	●	●	●	●
		+							
		d	Flow direction	Nil	Flow direction: Left to right	●	●	●	●
				R	Flow direction: Right to left	●	●	●	●
		+							
		e	Pressure unit	Nil	Name plate and caution plate for bowl in SI units: MPa	●	●	●	●
Z*4	Name plate and caution plate for bowl in imperial units: psi, °F			○*4	○*4	○*4	○*4		

*1 Option "B", "H" are not assembled and supplied loose at the time of shipment.

*2 Assembly of a bracket and set nuts (25A-AW20(K) to 25A-AW40(K)). Including 2 mounting screws for the 25A-AW60(K).

*3 Pressure can be set at the upper limit of the specification or more, however, be sure to set the pressure within specification.

*4 ○ : For pipe thread type: NPT. This product is for overseas use only according to the New Measurement Law.
 (The SI unit type is provided for use in Japan.)

* The 25A- series specifications and dimensions are the same as those of the standard model.

[Click here for details.](#)

Bracket, Set Nut, Bowl Assembly Part Nos. for the 25A- Series

Model	25A-AW20(K)-B	25A-AW30(K)-B	25A-AW40(K)-B	25A-AW60(K)-B
Option				
Bracket assembly*1	25A-AW23P-270AS	25A-AR33P-270AS	25A-AR43P-270AS	25A-AW62P-270AS*2
Set nut	AR23P-260S	AR33P-260S	AR43P-260S	—*3
Bowl assembly	25A-C2SF-A	25A-C3SF-A	25A-C4SF-A	

*1 Assembly of a bracket and set nuts.

*2 Assembly of a bracket and 2 mounting screws.

*3 Please consult with SMC regarding the set nuts for the 25A-AW60(K).

Precision Regulator



25A-IR1000/2000/3000-A Series



How to Order

25A-IR **1** **0** **0** **0** - **01** **B** - - A

①
②
③
④
⑤
⑥
⑦

- Option/Semi-standard: Select one each for a, b, and c.
- Option/Semi-standard symbol: When more than one specification is required, indicate in alphanumeric order.

		Symbol	Description	①				
				Body size				
				1	2	3		
②	Set pressure range	0	0.005 to 0.2 MPa	●	●	—		
		1	0.01 to 0.2 MPa	—	—	●		
		2	0.01 to 0.4 MPa	●	●	●		
		2	0.01 to 0.8 MPa	●	●	●		
		+						
③	Exhaust direction	0	Bottom exhaust	●	●	●		
		1	Front exhaust	—	—	●		
		2	Rear exhaust	—	—	●		
		+						
④	Pipe thread type	Nil	Rc	●	●	●		
		N	NPT	●	●	●		
		F	G	●	●	●		
		+						
⑤	Port size	01	1/8	●	—	—		
		02	1/4	—	●	●		
		03	3/8	—	—	●		
		04	1/2	—	—	●		
		+						
⑥	Option *1	a	Mounting	Nil	Without mounting option	●	●	●
				B*2	With bracket	●	●	●
				H	With hexagon panel nut (for panel mount)	●	●	●
		+						
⑦	Semi-standard	b	Flow direction	Nil	Flow direction: Left to right	●	●	●
				R	Flow direction: Right to left	●	●	●
				+				
c	Knob	Nil	Upward	●	●	●		
		V	Downward	●	●	●		

*1 Options are shipped together with the product, but not assembled. B and H cannot be selected at the same time. The current bracket cannot be used for this product.

*2 Assembly of a bracket and set nuts

Directional Control Valves
 Air Cylinders
 Related Products
 Rotary Actuators
 Air Grippers
 Vacuum Equipment
 Air Preparation Equipment
 Clean Air Filters
 Modular FRL/Pressure Control Equipment
 Fittings/Flow Control Equipment
 Detection Switches
 Fluid Control Equipment
 Electric Actuators
 Auto Switches

Electro-Pneumatic Regulator

25A-ITV1000/2000/3000 Series

How to Order



Series compatible with secondary batteries

25A-ITV **2** **0** **1** **0** - **0** **1** **2** **S**

Model

1	1000 type
2	2000 type
3	3000 type

Pressure range

1	0.1 MPa
3	0.5 MPa
5	0.9 MPa

Power supply voltage

0	24 VDC
1	12 to 15 VDC

Input signal

0	Current type 4 to 20 mA DC (Sink type)
1	Current type 0 to 20 mA DC (Sink type)
2	Voltage type 0 to 5 VDC
3	Voltage type 0 to 10 VDC
40	4 points preset input

Monitor output

1	Analog output 1 to 5 VDC
2	Switch output/NPN output
3	Switch output/PNP output
4	Analog output 4 to 20 mA DC (Sink type)
Nil	None (For 4 points preset input)

Pressure display unit

Nil	MPa
2*1	kgf/cm ²
3	bar
4*1	psi
5	kPa

*1 This product is for overseas use only according to the New Measurement Law. (The SI unit type is provided for use in Japan.)

Cable connector type

S	Straight type 3 m
L	Right angle type 3 m
N	Without cable connector

* A dedicated cable connector whose material was changed is used.

Bracket

Nil	Without bracket
B	Flat bracket
C	L-bracket

* The bracket is made with a special black chromium treatment. The bracket is shipped with the product.

Port size

1	1/8 (1000 type)
2	1/4 (1000, 2000, 3000 type)
3	3/8 (2000, 3000 type)
4	1/2 (3000 type)

Thread type

Nil	Rc
N	NPT
T	NPTF
F	G

* Since the lead wires and electrical circuits are used, this product is not completely copper-free. Only the wetted parts are copper-free.

* Copper and zinc materials are used for solenoid valve coils, connector pins, and lead wire substrate.

* The 25A- series specifications and dimensions are the same as those of the standard model.

[Click here for details.](#)