

Compact Guide Cylinder

25A-MGP Series

Ø12, Ø16, Ø20, Ø25, Ø32, Ø40, Ø50, Ø63, Ø80, Ø100



How to Order

25A - MGP M 25 - **30** Z - **M9BW**

Series compatible with secondary batteries

Compact guide cylinder

Bearing type

M	Slide bearing
L	Ball bushing

Bore size

12	12 mm
16	16 mm
20	20 mm
25	25 mm
32	32 mm
40	40 mm
50	50 mm
63	63 mm
80	80 mm
100	100 mm

Cylinder stroke [mm]

12, 16	10, 20, 30, 40, 50, 75, 100, 125, 150, 175, 200, 250
20, 25	20, 30, 40, 50, 75, 100, 125, 150, 175, 200, 250, 300, 350, 400
32 to 100	25, 50, 75, 100, 125, 150, 175, 200, 250, 300, 350, 400

Port thread type

Nil	M5 x 0.8
	Rc
TN	NPT
TF	G

* For bore sizes Ø12 and Ø16, only M5 x 0.8 is available.

Number of auto switches

Nil	2
S	1
n	n

Auto switch

Nil	Without auto switch (Built-in magnet)
------------	---------------------------------------

* For applicable auto switches, refer to [page 207](#).

* The 25A- series specifications and dimensions are the same as those of the standard model.

[Click here for details.](#)

Directional Control Valves

Air Cylinders

Related Products

Rotary Actuators

Air Grippers

Vacuum Equipment

Air Preparation Equipment

Clean Air Filters

Modular F.R.L./Pressure Control Equipment

Fittings/Flow Control Equipment

Detection Switches

Fluid Control Equipment

Electric Actuators

Auto Switches

Compact Guide Cylinder/With Air Cushion

25A-MGP Series

Ø16, Ø20, Ø25, Ø32, Ø40, Ø50, Ø63, Ø80, Ø100



How to Order

25A - MGP M 32 [] - 50 AZ - M9BW []

Series compatible with secondary batteries

Compact guide cylinder

Bearing type

M	Slide bearing
L	Ball bushing

Bore size

16	16 mm
20	20 mm
25	25 mm
32	32 mm
40	40 mm
50	50 mm
63	63 mm
80	80 mm
100	100 mm

Number of auto switches

Nil	2
S	1
n	n

Auto switch

Nil	Without auto switch (Built-in magnet)
------------	---------------------------------------

* For applicable auto switches, refer to [page 207](#).

With air cushion

Cylinder stroke [mm]

Bore size	Standard stroke
16	25, 50, 75, 100, 125, 150, 175, 200, 250
20 to 63	25, 50, 75, 100, 125, 150, 175, 200, 250, 300, 350, 400
80, 100	50, 75, 100, 125, 150, 175, 200, 250, 300, 350, 400

Port thread type

Nil	M5 x 0.8
	Rc
TN	NPT
TF	G

* For bore size 16, only M5 x 0.8 is available.

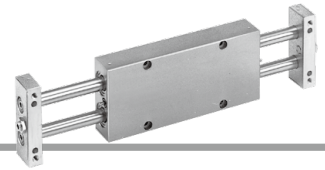
* The 25A- series specifications and dimensions are the same as those of the standard model.

[Click here for details.](#)

Slide Unit: Built-in Shock Absorber Slide Bearing Type

25A-CXWM Series

ø10, ø16, ø20, ø25, ø32



How to Order

25A — C DB XWM 16 — 150 — J79W

Series compatible with secondary batteries

Cylinder with auto switch

Symbol	Specifications/Mounting
Nil	Without magnet for switch*1
DB	With auto switch (Built-in magnet)/ Housing mounting
DP	With auto switch (Built-in magnet)/ Plate mounting

*1 In the case of without magnet for switch, auto switch cannot be mounted.

Bearing type

M	Slide bearing
---	---------------

Port thread type

Nil	M thread	ø10 to ø20
	Rc 1/8	
TN	NPT 1/8	ø25, ø32
TF	G 1/8	

Number of auto switches

Nil	2
S	1
n	n

Auto switch

Nil	Without auto switch
-----	---------------------

* Refer to [page 207](#) for applicable auto switches.

Bore size/Stroke [mm]

10	(25), 50, 75, 100
16	(25), 50, 75, 100, 125, 150, 175, 200
20	(25), 50, 75, 100, 125, 150, 175, 200
25	(25), 50, 75, 100, 125, 150, 175, 200
32	(25), (50), 75, 100, 125, 150, 175, 200

* For the strokes indicated in the parentheses of the ø10, ø16 and ø25, shock absorbers are to be mounted on both sides of the plate. For the strokes indicated in the parentheses of the ø20 and ø32, a shock absorber is to be mounted on single side of the plate.

* For the strokes other than those indicated above, refer to the **Web Catalog**.

* For ø16, ø20 and ø25, strokes up to 300, and for ø32, strokes up to 250 are available as Made-to-Order.

Built-in Magnet Cylinder Model

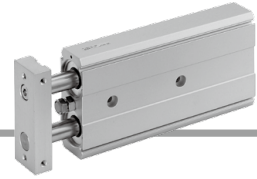
If a built-in magnet cylinder without an auto switch is required, there is no need to enter the symbol for the auto switch. (Example) 25A-CDPXWM20-100

* The 25A- series specifications and dimensions are the same as those of the standard model.

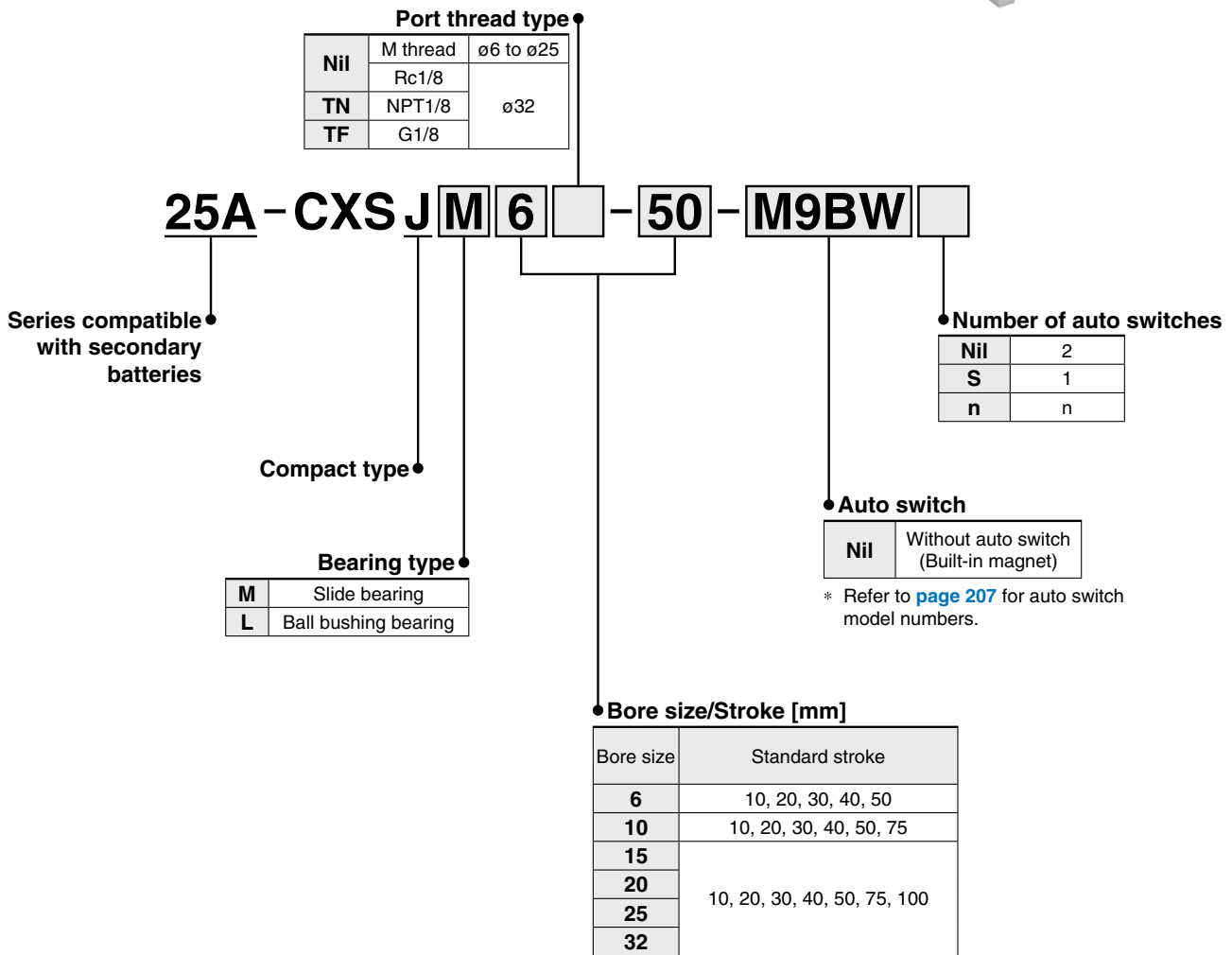
[Click here for details.](#)

Dual Rod Cylinder/Compact Type 25A-CXSJ Series

ø6, ø10, ø15, ø20, ø25, ø32



How to Order



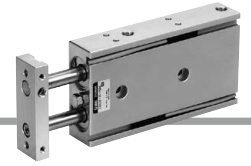
* The 25A- series specifications and dimensions are the same as those of the standard model.

[Click here for details.](#)

Dual Rod Cylinder Basic Type

25A-CXS Series

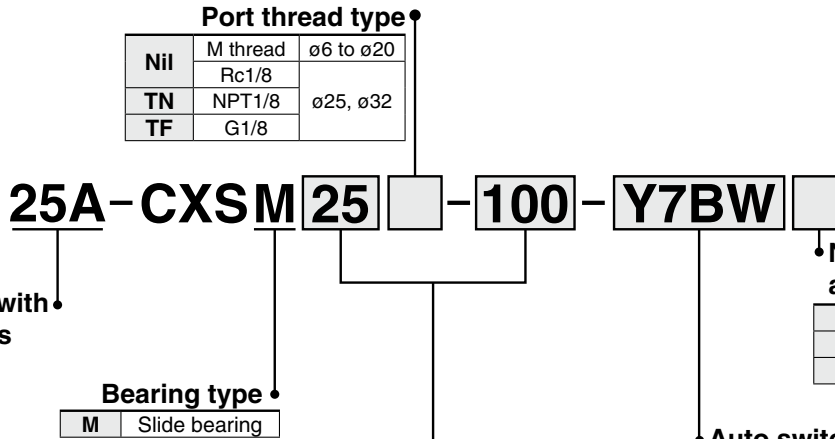
ø6, ø10, ø15, ø20, ø25, ø32



How to Order

Slide bearing type

Series compatible with secondary batteries



Bore size/Stroke [mm]

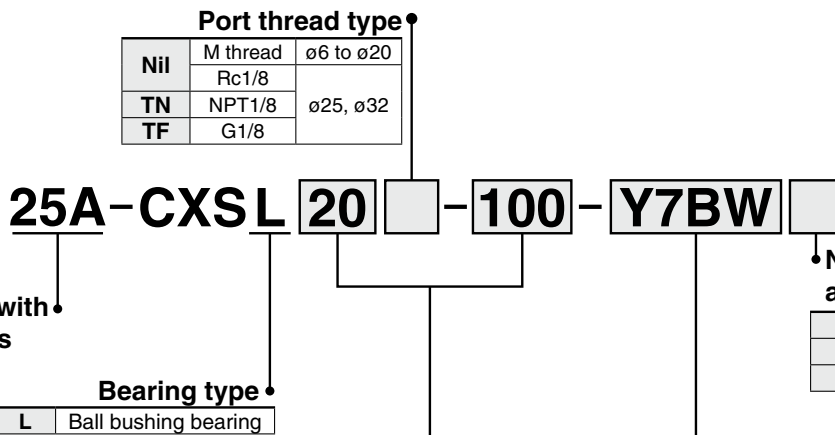
Bore size	Standard stroke [mm]
6	10, 20, 30, 40, 50
10	10, 15, 20, 25, 30, 35, 40, 45, 50, 60, 70, 75
15, 20, 25, 32	10, 15, 20, 25, 30, 35, 40, 45, 50, 60, 70, 75, 80, 90, 100

* The 25A- series specifications and dimensions are the same as those of the standard model.

[Click here for details.](#)

Ball bushing bearing type

Series compatible with secondary batteries



Bore size/Stroke [mm]

Bore size	Standard stroke [mm]
6	10, 20, 30, 40, 50
10	10, 15, 20, 25, 30, 35, 40, 45, 50, 60, 70, 75
15, 20, 25, 32	10, 15, 20, 25, 30, 35, 40, 45, 50, 60, 70, 75, 80, 90, 100

* The 25A- series specifications and dimensions are the same as those of the standard model.

[Click here for details.](#)

Directional Control Valves

Air Cylinders

Related Products

Rotary Actuators

Air Grippers

Vacuum Equipment

Air Preparation Equipment

Clean Air Filters

Modular F.R.L. Pressure Control Equipment

Fittings/Flow Control Equipment

Detection Switches

Fluid Control Equipment

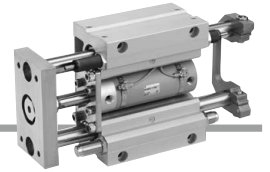
Electric Actuators

Auto Switches

Guide Cylinder

25A-MGG Series

Ø20, Ø25, Ø32, Ø40, Ø50



How to Order

25A - MGG L B 32 - 100 - M9BW

Series compatible with secondary batteries

Guide cylinder

Bearing type

L	Ball bushing
---	--------------

Mounting

B	Basic
F	Front mounting flange

Bore size

20	20 mm
25	25 mm
32	32 mm
40	40 mm
50	50 mm

Port thread type

Nil	Rc
TN	NPT
TF	G

Number of auto switches

Nil	2
S	1
n	n

Auto switch

Nil	Without auto switch (Built-in magnet)
-----	---------------------------------------

* Refer to [page 207](#) for applicable auto switches.

Cylinder stroke [mm]

Bore size [mm]	Standard stroke [mm]	Long stroke [mm]
20	75, 100, 125, 150, 200	250, 300, 350, 400
25	75, 100, 125, 150, 200, 250, 300	350, 400, 450, 500
32		350, 400, 450, 500, 600
40		350, 400, 450, 500, 600, 700, 800
50		350, 400, 450, 500, 600, 700, 800, 900, 1000

* Intermediate strokes and short strokes other than those listed above are produced upon receipt of order.

* The 25A- series specifications and dimensions are the same as those of the standard model.

[Click here for details.](#)