

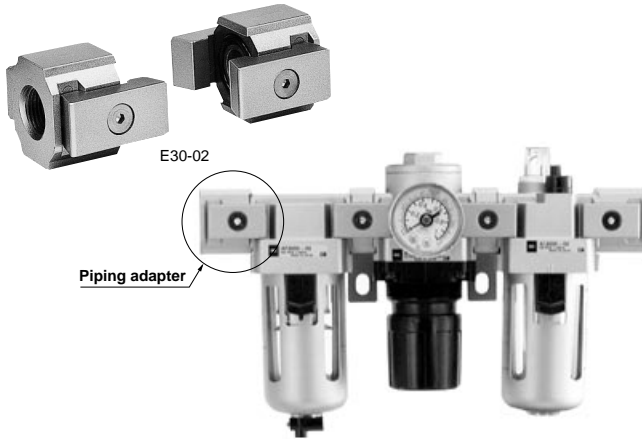
Attachments



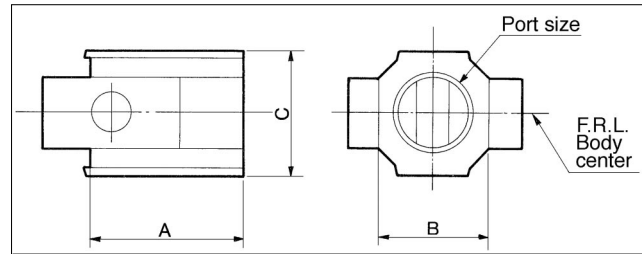
Piping Adapter

M5 X 0.8, 1/8, 1/4, 3/8, 1/2, 3/4, 1

Easy maintenance. Makes it possible to attach and detach equipment without removing piping.



- * To order piping adapter with bracket, the parts number as shown below.
(Example) With L type bracket: E□□L-□
With T type bracket: E□□T-□
- ** One with AC installed is special product.



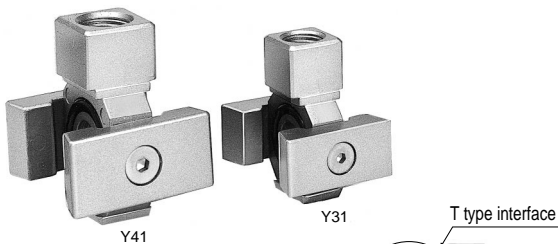
Model	Port size	A	B	C	Applicable model
E10-M5	M5 X 0.8	16	14	17.5	AC10□0, AW1000 AF1000, AR1000, AL1000
E20-□01	1/8	23	22	22	AC20□0
E20-□02	1/4				AF2000, AR2000, AW2000
E20-□03	3/8				AL2000, AFM2000, AFD2000
E30-□02	1/4	26	29	34.2	AC25□0, AC30□0
E30-□03	3/8				AF3000, AR3000, AW3000
E30-□04	1/2	40	29	34.2	AL3000, AFM3000, AFD3000
E40-□02	1/4	33	35	42.2	AC40□0
E40-□03	3/8				AF4000, AR4000, AW4000
E40-□04	1/2				AL4000, AFM4000, AFD4000
E40-□06	3/4	50	35	42.2	
E50-□06	3/4	36	44	46.2	AC40□0-06 AF4000-06, AR4000-06, AW4000-06 AL4000-06, AFM4000-06, AFD4000-06
E60-□06	3/4	40	54	55.2	AC5000, AC5500, AC6000
					AC5020, AC5520, AC6020
E60-□10	1				AF5000, AR5000, AL5000 AF6000, AR6000, AL6000

Note 1) □ in part number indicates thread type. Use nothing for Rc(PT), N for NPT and F for G(PF).

T Type Interface: (T)

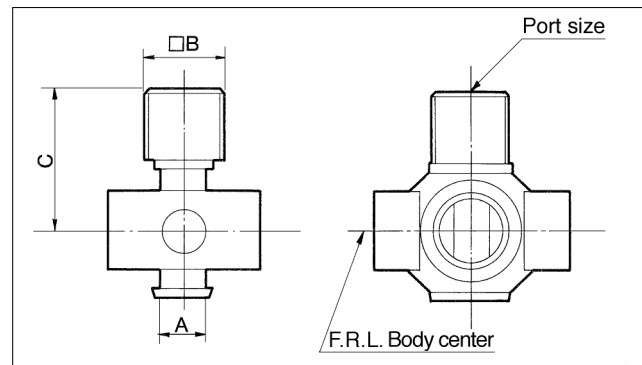
M5 X 0.8, 1/8, 1/4, 3/8, 1/2

Makes it easy to diverge air out with T type interface.



T type interface

Model	File
Y11-M5	SAC1000, #9
Y21-01, 02	SAC2000, #9
Y31-01, 02	SAC2503, #9
Y41-02, 03	SAC4000, #9
Y51-02, 03	SAC4006, #9
Y61-03, 04	SAC5000, #9



Model	Port size	A	□B	C	Applicable model
Y11-M5	M5 X 0.8	8	8	12	AC1000, AC1020
Y21-□01	1/8	10	19	29	AC2000, AC2020, AR2030
Y21-□02	1/4				
Y31-□01	1/8	11	19	33	AC2500, AC2520, AC2530
Y31-□02	1/4				AC3000, AC3020, AC3030
Y41-□02	1/4	14	24	39	AC4000, AC4020, AC4030
Y41-□03	3/8				
Y51-□02	1/4	14	24	41	AC4000-06, AC4020-06
Y51-□03	3/8				AC4030-06
Y61-□03	3/8	15	30	50.5	AC5000, AC5500, AC6000
Y61-□04	1/2				AC5020, AC5520, AC6020

Caution on Assembling

- T type interface cannot be mounted at IN/OUT side of AW or upward handle of AR.
- When T type interface is used at IN side of lubricator, oil may have entered. Use check valve series AKM.

* When T type interface with bracket is required, order as example below.

(Example) With L bracket: Y□1L-□
With T bracket: Y□1T-□

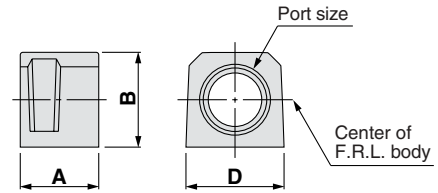
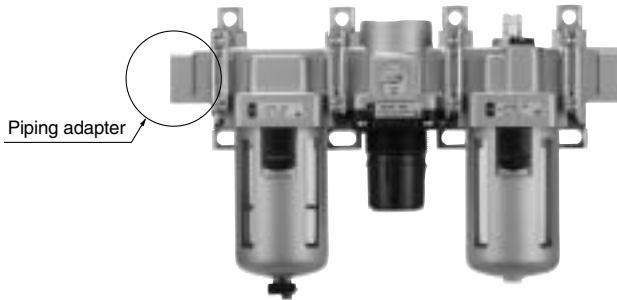
** Refer to a table of attachment on P.1.1-3 for standard port size when applying to AC.

*** □ in part number indicates thread. Use nothing for Rc(PT), N for NPT and F for G(PF).

F.R.L. Unit *Series AC* Attachment Specifications

Piping Adapter (E) M5 x 0.8, 1/8, 1/4, 3/8, 1/2, 3/4, 1

A piping adapter allows installation/removal of the component without removing the piping and thus makes maintenance easier.



Model ^{Note)}	Port size	A	B	D	Applicable model
E100-M5	M5 x 0.8	10	14	14	AC10□, AW10, AF10, AR10, AL10
E200-□01	1/8	30	23.5	28	AC20□
E200-□02	1/4				AF20, AR20□, AW20□
E200-□03	3/8				AL20, AFM20, AFD20, AWM20, AWD20
E300-□02	1/4	32	30	30	AC25□, AC30□
E300-□03	3/8				AF30, AR30□, AW30□
E300-□04	1/2				AL30, AFM30, AFD30, AWM30, AWD30
E400-□02	1/4	32	36	36	AC40□
E400-□03	3/8				AF40, AR40□, AW40□
E400-□04	1/2				AL40, AFM40, AFD40
E400-□06	3/4				AWM40, AWD40
E500-□06	3/4	32	40	44	AC40□-06, AF40-06, AR40□-06, AW40□-06 AL40-06, AFM40-06, AFD40-06
E600-□06	3/4	35	48	53	AC50, AC55, AC60, AC50B, AC55B, AC60B
E600-□10	1				AF50, AR50□, AL50, AF60, AR60□, AL60

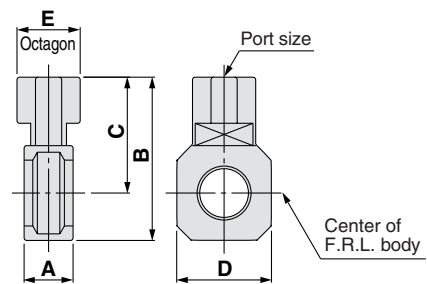
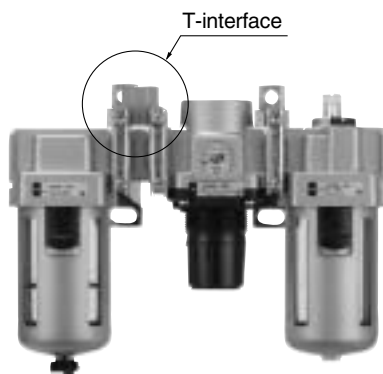
Notes) • □ in model numbers indicates a thread type. No indication is necessary for Rc; however, indicate N for NPT, and F for G.

• Separate interfaces are required for modular unit.

* Factory mounting of a piping adapter on the AC models is available as a special order.

T-interface (T) M5 x 0.8, 1/8, 1/4, 3/8, 1/2

Using a T-interface facilitates the redirection of air flow.



Model	Port size	A	B	C	D	E	Applicable model
Y110-M5	M5 x 0.8	11	19	12	14	8	AC10, AC10B
Y210-□01	1/8	15	42	32	28	19	AC20, AC20B
Y210-□02	1/4						AC20C
Y310-□01	1/8	15	53	39	30	19	AC25, AC25B
Y310-□02	1/4						AC25C, AC30
Y410-□02	1/4	19	62	44	36	24	AC30B, AC30C
Y410-□03	3/8						AC40, AC40B
Y510-□02	1/4	19	66	46	44	24	AC40C
Y510-□03	3/8						AC40-06, AC40B-06
Y610-□03	3/8	22	81	57	53	30	AC40C-06
Y610-□04	1/2						AC50, AC55
							AC60, AC50B
							AC55B, AC60B

Notes) • □ in model numbers indicates a thread type. No indication is necessary for Rc; however, indicate N for NPT, and F for G.

• Separate interfaces are required for modular unit.

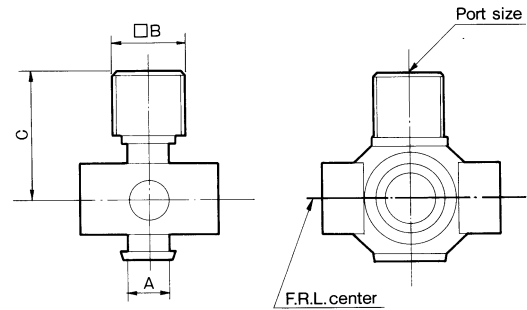
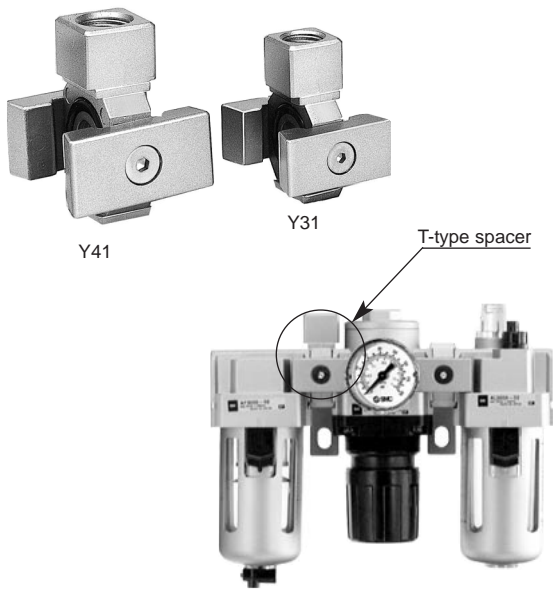
* Refer to the attachment table on Front matter 2 for standard port sizes when using with AC.

Caution in Mounting

- If a T-interface is used on the IN side of the lubricator, lubricant may be mixed. Use the series AKM check valve to avoid such possibility.

T-Type Spacer

M5x0.8, 1/8•1/4•3/8•1/2

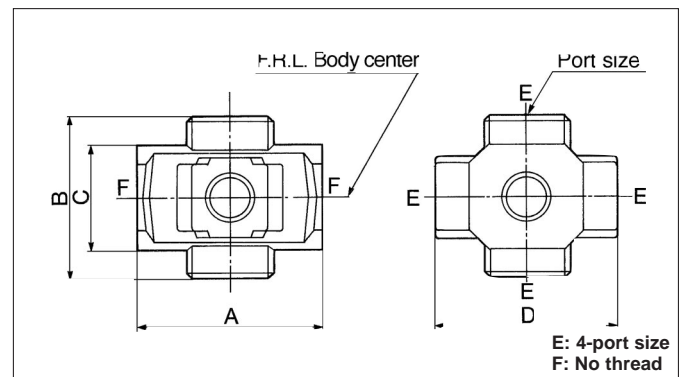
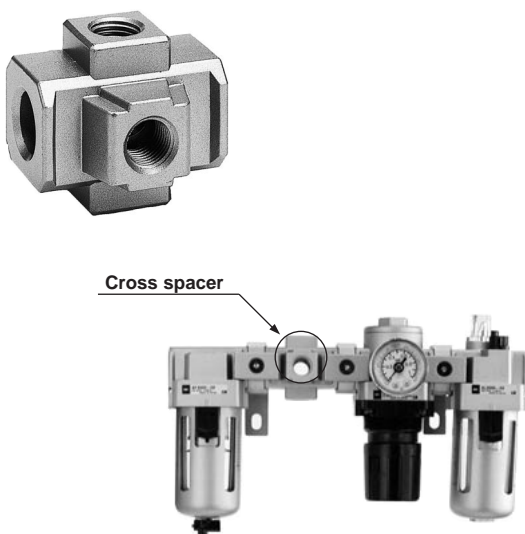


Model	Port size	A	B	C	Applicable model
Y11-M5	M5x0.8	.31 (8)	.31 (8)	.47 (12)	NAC1000•NAC1020
Y21-N01	1/8	.39 (10)	.75 (19)	1.14 (29)	NAC2000•NAC2020•NAC2030
Y21-N02	1/4				
Y31-N01	1/8	.43 (11)	.75 (19)	1.30 (33)	NAC2500•NAC2520•NAC2530 NAC3000•NAC3020•NAC3030
Y31-N02	1/4				
Y41-N02	1/4	.55 (14)	.94 (24)	1.54 (39)	NAC4000•NAC4020•NAC4030
Y41-N03	3/8				
Y51-N02	1/4	.55 (14)	.94 (24)	1.61 (41)	NAC4000-N06•NAC4020-N06 NAC4030-N06
Y51-N03	3/8				
Y61-N03	3/8	.59 (15)	1.18 (30)	1.99 (50.5)	NAC5000•NAC5020•NAC5500 NAC5520•NAC6000•NAC6020
Y61-N04	1/2				

*When T-type spacer with bracket is required, please order as follows.
 Example: L-type bracket:YOIL-N00
 T-type bracket:YOIT-N00

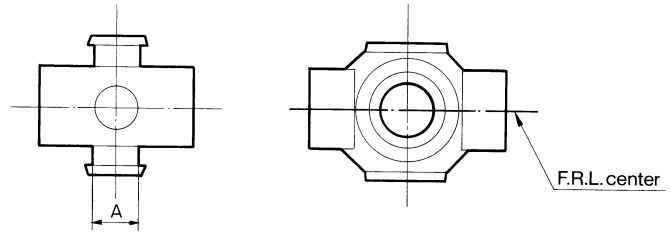
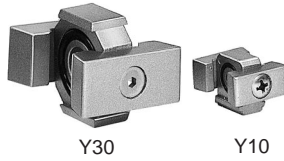
Cross Spacer

M5x0.8,1/8•1/4•3/8•1/2



Model	Port size	A	B	C	D	Applicable model
Y14-M5	M5 x 0.8	.91 (23)	.63 (16)	.55 (14)	.98 (25)	NAC1000•NAC1010•NAC1020
Y24-N01	1/8	1.57 (40)	1.57 (40)	.87 (22)	1.57 (40)	NAC2000•NAC2010•NAC2020 NAC2030•NAC2040
Y24-N02	1/4					
Y34-N01	1/8	1.93 (49)	1.69 (43)	1.10 (28)	1.89 (48)	NAC2500•NAC2520•NAC2530 NAC3000•NAC3010•NAC3020 NAC3030•NAC3040
Y34-N02	1/4					
Y44-N02	1/4	2.36 (60)	1.89 (48)	1.42 (36)	2.13 (54)	NAC4000•NAC4010•NAC4020 NAC4030•NAC4040
Y44-N03	3/8					
Y54-N03	3/8	2.83 (72)	2.44 (62)	1.57 (40)	2.44 (62)	NAC4000-N06•NAC4010-N06 NAC4020-N06•NAC4030-N06 NAC4040-N06
Y54-N04	1/2					

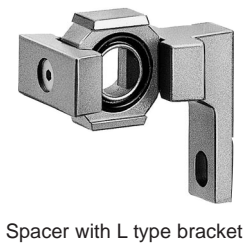
Spacer



Inch (mm)

Model	A	Applicable model
Y10	.31 (8)	NAC1000 ~ NAC1020
Y20	.39 (10)	NAC2000 ~ NAC2040
Y30	.43 (11)	NAC2500 ~ NAC2540 NAC3000 ~ NAC3040
Y40	.55 (14)	NAC4000 ~ NAC4040
Y50	.55 (14)	NAC4000-N06 ~ NAC4040-N06
Y60	.59 (15)	NAC5000, NAC5500, NAC6000 NAC5020, NAC5520, NAC6020

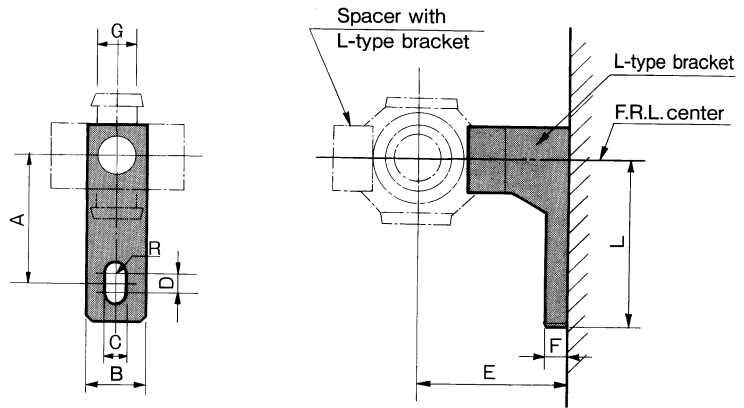
Spacer With L-type Bracket



Spacer with L type bracket



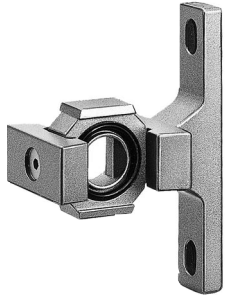
L type bracket



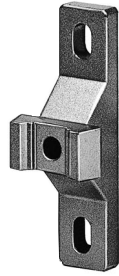
Inch (mm)

L-type Bracket	Spacer with L-type Bracket	A	B	C	D	E	F	G	R	L	Applicable model
B110L	Y10L	.79 (20)	.47 (12)	.18 (4.5)	.12 (3)	.98 (25)	.20 (5)	.31 (8)	.09 (2.25)	1.06 (27)	NAC1000~NAC1020
B210L	Y20L	.94 (24)	.59 (15)	.22 (5.5)	.12 (3)	1.18 (30)	.20 (5)	.39 (10)	.11 (2.75)	1.30 (33)	NAC2000~NAC2040
B310L	Y30L	1.38 (35)	.63 (16)	.28 (7)	.16 (4)	1.61 (41)	.28 (7)	.43 (11)	.14 (3.50)	1.77 (45)	NAC2500~NAC2540 NAC3000~NAC3040
B410L	Y40L	1.57 (40)	.87 (22)	.35 (9)	.16 (4)	1.97 (50)	.28 (7)	.55 (14)	1.18 (4.5)	1.97 (50)	NAC4000~NAC4040
B510L	Y50L	1.57 (40)	.87 (22)	.35 (9)	.16 (4)	1.97 (50)	.28 (7)	.55 (14)	1.18 (4.5)	1.97 (50)	NAC4000-N06~NAC4040-N06
B610L	Y60L	1.97 (50)	.94 (24)	.47 (12)	.16 (4)	2.76 (70)	.39 (10)	.59 (15)	.24 (6)	2.46 (62.5)	NAC5000•NAC5500•NAC6000 NAC5020•NAC5520•NAC6020

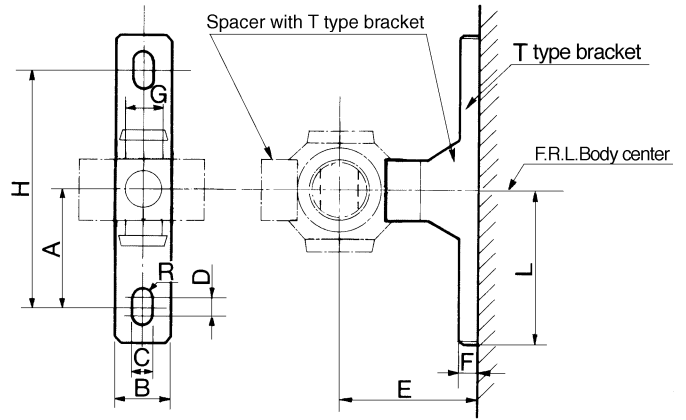
Spacer with T-type Bracket



Spacer with T-type Bracket



T-type Bracket

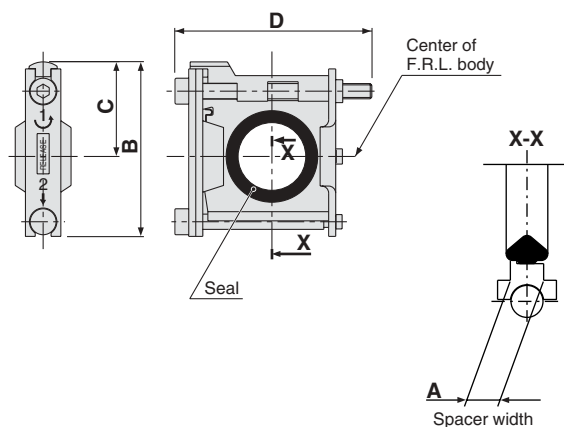
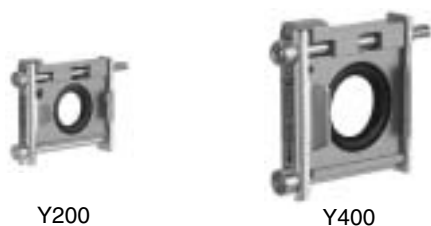


Inch (mm)

T-type Bracket	Spacer with T-type Bracket	A	B	C	D	E	F	G	H	R	L	Applicable model
B110T	Y10T	.79 (20)	.47 (12)	.18 (4.5)	.12 (3)	.98 (25)	.20 (5)	.31 (8)	1.57 (40)	.09 (2.25)	1.06 (27)	NAC1000~NAC1020
B210T	Y20T	.94 (24)	.59 (15)	.22 (5.5)	.12 (3)	1.18 (30)	.20 (5)	.39 (10)	1.89 (48)	.11 (2.75)	1.30 (33)	NAC2000~NAC2040
B310T	Y30T	1.38 (35)	.63 (16)	.28 (7)	.16 (4)	1.61 (41)	.28 (7)	.43 (11)	2.76 (70)	.14 (3.50)	1.77 (45)	NAC2500~NAC2540 NAC3000~NAC3040
B410T	Y40T	1.57 (40)	.87 (22)	.35 (9)	.16 (4)	1.97 (50)	.28 (7)	.55 (14)	3.15 (80)	1.18 (4.5)	1.97 (50)	NAC4000~NAC4040
B510T	Y50T	1.57 (40)	.87 (22)	.35 (9)	.16 (4)	1.97 (50)	.28 (7)	.55 (14)	3.15 (80)	1.18 (4.5)	1.97 (50)	NAC4000-N06~NAC4040-N06
B610T	Y60T	1.97 (50)	.94 (24)	.47 (12)	.16 (4)	2.76 (70)	.39 (10)	.59 (15)	3.94 (100)	.24 (6)	2.46 (62.5)	NAC5000• NAC5500• NAC6000 NAC5020• NAC5520• NAC6020

Series AC Spacers and Brackets Accessories

Spacer (X)



Model	A	B	C	D	Applicable model
Y100	6	27	15	33	AC10, AC10A, AC10B
Y200	3	35.5	18.5	48	AC20□
Y300	4	47	26	59	AC25□, AC30□
Y400	5	57	31	65	AC40□
Y500	5	61	33	70	AC40□-06
Y600	6	75.5	41	86	AC50, AC55, AC60 AC50B, AC55B, AC60B

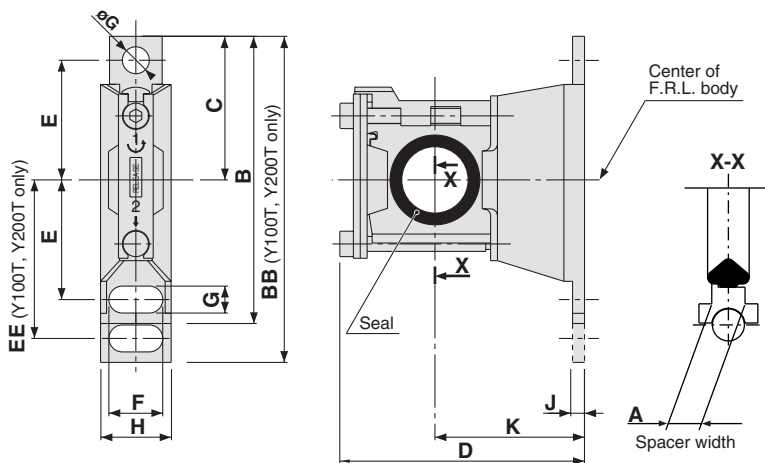
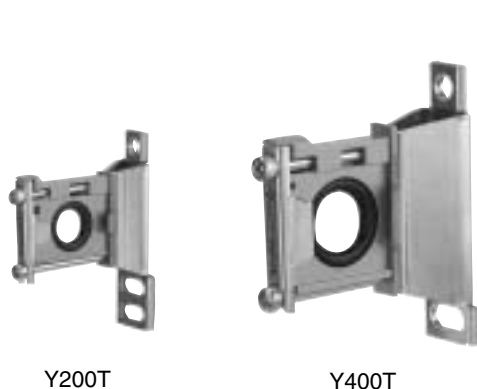
Replacement parts

Description	Material	Part no.					
		Y100	Y200	Y300	Y400	Y500	Y600
Seal	HNBR ^{Note 2)}	Y100P-060AS ^{Note 1)}	Y200P-060S	Y300P-060S	Y400P-060S	Y500P-060S	Y600P-060S

Note 1) Y-100 comes with 2 O-rings.

Note 2) NBR seal is used for Y100 spacer because of no direct contact with fluid.

Spacer with Bracket (Z)



Model	A	B	BB	C	D	E	EE	F	G	øG	H	J	K	Applicable model
Y100T	6	—	56	24.5	40.5	20	27	6.8	4.5	4.5	14	2.8	25	AC10□
Y200T	3	—	67	29	53	24	33	12	5.5	5.5	19	3.2	30	AC20□
Y300T	4	82	—	41	68	35	—	14	7	7	21	4	41	AC25□, AC30□
Y400T	5	96	—	48	81.5	40	—	18	9	9	26	4	50	AC40□
Y500T	5	96	—	48	86	40	—	18	9	9	27	4.6	50	AC40□-06
Y600T	6	120	—	60	112	50	—	20	11	11	31	6.4	70	AC50, AC55, AC60, AC50B, AC55B, AC60B

Replacement parts

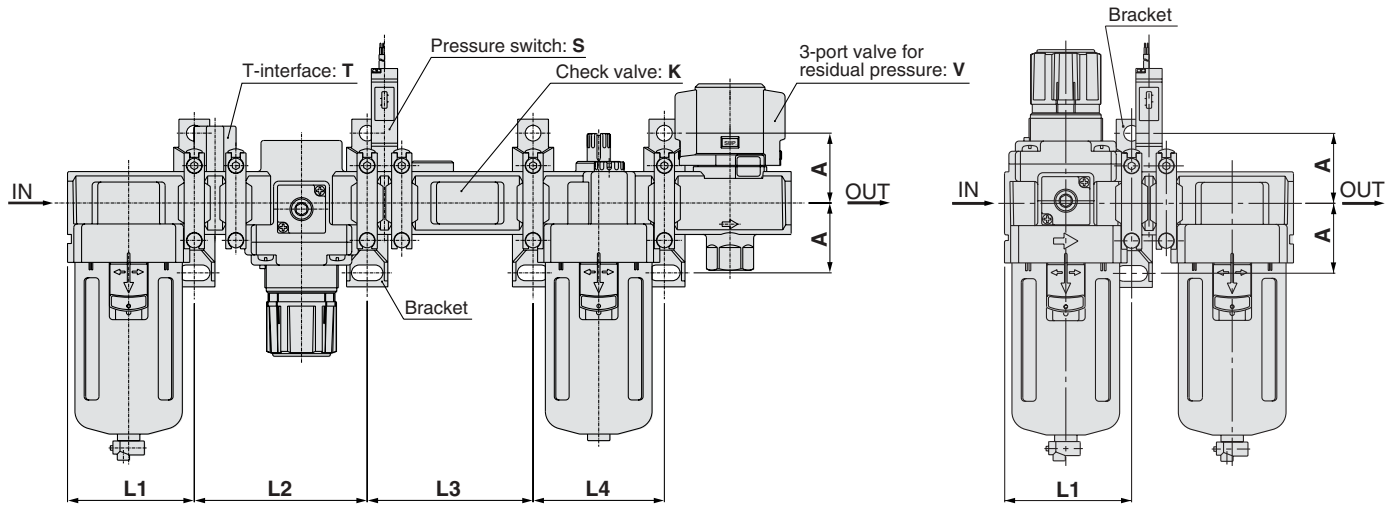
Description	Material	Part no.					
		Y100T	Y200T	Y300T	Y400T	Y500T	Y600T
Seal	HNBR ^{Note 2)}	Y100P-060AS ^{Note 1)}	Y200P-060S	Y300P-060S	Y400P-060S	Y500P-060S	Y600P-060S

Note 1) Y-100T comes with 2 O-rings.

Note 2) NBR seal is used for Y100T spacer because of no direct contact with fluid.

Series AC

Mounting Position for Spacer with Bracket



Attachment Model	K			S		T		V			KS			KT			KV				KST		
	L1	L2	L3	L1	L2	L1	L2	L1	L2	L3	L1	L2	L3	L1	L2	L3	L1	L2	L3	L4	L1	L2	L3
AC10	—	—	—	—	—	28	48	—	—	—	—	—	—	—	—	—	—	—	—	—	—	—	—
AC20	41.5	43	43	41.5	43	41.5	61	41.5	43	43	41.5	43	57	41.5	61	43	41.5	43	43	43	41.5	61	57
AC25	55	57	57	55	57	55	76	55	57	57	55	57	74	55	76	57	55	57	57	57	55	76	74
AC30	55	57	57	55	57	55	76	55	57	57	55	57	74	55	76	57	55	57	57	57	55	76	74
AC40	72.5	75	75	72.5	75	72.5	99	72.5	75	75	72.5	75	95	72.5	99	75	72.5	75	75	75	72.5	99	95
AC40-06	—	—	—	77.5	80	77.5	104	77.5	80	80	—	—	—	—	—	—	—	—	—	—	—	—	—
AC50	—	—	—	93	96	93	124	93	96	96	—	—	—	—	—	—	—	—	—	—	—	—	—
AC55	—	—	—	98	96	98	124	—	—	—	—	—	—	—	—	—	—	—	—	—	—	—	—
AC60	—	—	—	98	101	98	129	—	—	—	—	—	—	—	—	—	—	—	—	—	—	—	—

Attachment Model	KSV				KTV				KSTV				ST		SV			STV			TV		
	L1	L2	L3	L4	L1	L2	L3	L4	L1	L2	L3	L4	L1	L2	L1	L2	L3	L1	L2	L3	L1	L2	L3
AC10	—	—	—	—	—	—	—	—	—	—	—	—	—	—	—	—	—	—	—	—	—	—	—
AC20	41.5	43	57	43	41.5	61	43	43	41.5	61	57	43	41.5	61	41.5	43	57	41.5	61	57	41.5	61	43
AC25	55	57	74	57	55	76	57	57	55	76	74	57	55	76	55	57	74	55	76	74	55	76	57
AC30	55	57	74	57	55	76	57	57	55	76	74	57	55	76	55	57	74	55	76	74	55	76	57
AC40	72.5	75	95	75	72.5	99	75	75	72.5	99	95	75	72.5	99	72.5	75	95	72.5	99	95	72.5	99	75
AC40-06	—	—	—	—	—	—	—	—	—	—	—	—	—	77.5	104	77.5	80	102	77.5	104	102	77.5	104
AC50	—	—	—	—	—	—	—	—	—	—	—	—	—	93	124	93	96	124	93	124	93	124	96
AC55	—	—	—	—	—	—	—	—	—	—	—	—	—	98	124	—	—	—	—	—	—	—	—
AC60	—	—	—	—	—	—	—	—	—	—	—	—	—	98	129	—	—	—	—	—	—	—	—

Attachment Model	K		S		V		KS		KV			KSV			SV	
	L1	L2	L1	L2	L1	L2	L1	L2	L1	L2	L3	L1	L2	L3	L1	L2
AC20A	41.5	43	41.5	41.5	43	41.5	57	41.5	43	43	41.5	57	43	41.5	57	
AC30A	55	57	55	55	57	55	74	55	57	57	55	74	57	55	74	
AC40A	72.5	75	72.5	72.5	75	72.5	95	72.5	75	75	72.5	95	75	72.5	95	
AC40A-06	—	—	77.5	77.5	80	—	—	—	—	—	—	—	—	77.5	102	

Attachment Model	S		T		V		SV		TV	
	L1	L1	L1	L2	L1	L2	L1	L2	L1	L2
AC10B	—	28	—	—	—	—	—	—	—	—
AC20B	41.5	41.5	41.5	43	41.5	57	41.5	61	—	—
AC25B	55	55	55	57	55	74	55	76	—	—
AC30B	55	55	55	57	55	74	55	76	—	—
AC40B	72.5	72.5	72.5	75	72.5	95	72.5	99	—	—
AC40B-06	77.5	77.5	77.5	80	77.5	102	77.5	104	—	—
AC50B	93	93	93	96	93	124	93	124	—	—
AC55B	98	98	—	—	—	—	—	—	—	—
AC60B	98	98	—	—	—	—	—	—	—	—

Attachment Model	S		T		V			SV			TV		
	L1	L2	L1	L2	L1	L2	L3	L1	L2	L3	L1	L2	L3
AC20C	41.5	43	41.5	43	41.5	43	43	41.5	43	57	41.5	43	61
AC25C	55	57	55	57	55	57	57	55	57	74	55	57	76
AC30C	55	57	55	57	55	57	57	55	57	74	55	57	76
AC40C	72.5	75	72.5	75	72.5	75	75	72.5	75	95	72.5	75	99
AC40C-06	77.5	80	77.5	80	77.5	80	80	77.5	80	102	77.5	80	104

Attachment Model	S		V		SV	
	L1	L1	L2	L1	L2	L2
AC20D	41.5	41.5	43	41.5	57	—
AC30D	55	55	57	55	74	—
AC40D	72.5	72.5	75	72.5	95	—
AC40D-06	77.5	77.5	80	77.5	102	—

L1: Dimensions from the end of the IN side to the center of the mounting hole for the first bracket.
 L2: Mounting hole pitch between the first and the second bracket.
 L3: Mounting hole pitch between the second and the third bracket.
 L4: Mounting hole pitch between the third and the fourth bracket.
 Refer to dimensions pages for dimension A from the center of the piping and the mounting hole.

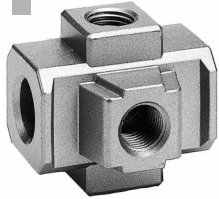
Attachments

Cross Interface

M5 X 0.8, 1/8, 1/4, 3/8, 1/2

Make it possible to diverge piping in all directions.

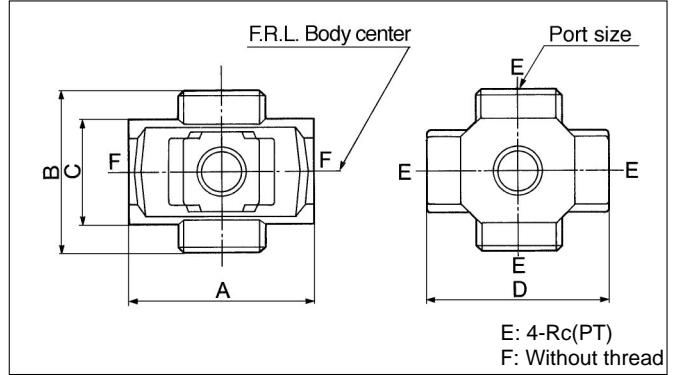
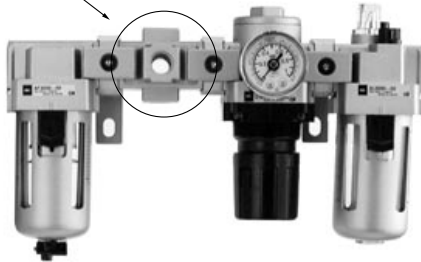
Note) IN/OUT port is not machined for thread piping.



Cross interface

Model	File
Y14-M5	SAC1000, #10
Y24-01, 02	SAC2000, #10
Y34-01, 02	SAC3000, #10
Y44-02, 03	SAC4000, #10
Y54-03, 04	SAC4006, #10

Cross interface



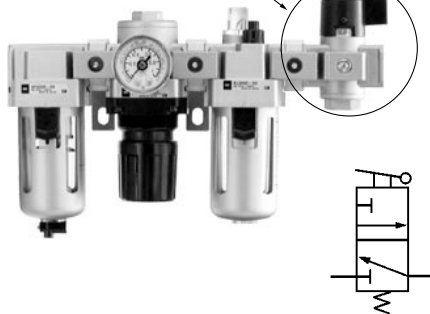
Model	Port size	A	B	C	D	Applicable model
Y14-M5	M5	23	16	14	25	AC1000, AC1010, AC1020
Y24-□01	1/8	40	40	22	40	AC2000, AC2010, AC2020 AC2030, AC2040
Y24-□02	1/4					
Y34-□01	1/8	49	43	28	48	AC2500, AC2520, AC2530 AC3000, AC3010, AC3020 AC3030, AC3040
Y34-□02	1/4					
Y44-□02	1/4	60	48	36	54	AC4000, AC4010, AC4020 AC4030, AC4040
Y44-□03	3/8					
Y54-□03	3/8	72	62	40	62	AC4000-06, AC4010-06 AC4020-06, AC4030-06 AC4040-06
Y54-□04	1/2					

Note 1) □ in parts number indicates thread. Use nothing for Rc(PT), N for NPT and F for G(PF).

Residual Pressure Exhaust 3 Port Valve: (V)

Residual pressure exhaust 3 port valve makes it easier to exhaust pressure.

Residual pressure exhaust 3 port valve



Specifications

Model	Port size	Effective area (mm ²)	
		IN to OUT	OUT to EXH
VHS2000	1/8	10	11
	1/4	14	16
VHS3000	1/4	16	14
	3/8	31	29
VHS4000	1/4	22	15
	3/8	38	29
	1/2	57	51

Note) Use air filter on the IN side to protect operation.

How to Order

VHS 30 00 - 02

Residual pressure exhaust 3 port valve

Body size

20	1/8
30	3/8
40	1/2

Port size

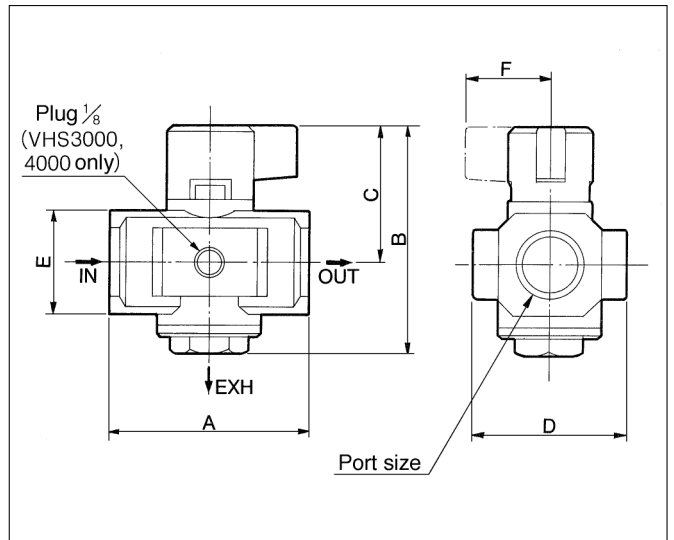
01	1/8
02	1/4
03	3/8
04	1/2

Thread

—	Rc(PT)
N	NPT
F	G(PF)

Caution on Assembling

- When mounting directly onto the IN side of lubricator, use check valve series AKM between the interface and lubricator.
- Installation to AC will be available as a special product. Please consult SMC.



Model	IN/OUT Port size	EXH Port size	A	B	C	D	E	F
VHS2000	1/8, 1/4	1/8	40	56	36	28	22	25
VHS3000	1/4, 3/8	1/4	53	74	45	48	28	30
VHS4000 ⁽¹⁾	1/4, 3/8, 1/2	3/8	70	80	48	54	36	30

Note 1) NOT applicable to AC40□0-06.

Caution on Assembling

Pressure switch and T type interface can not be mounted to OUT side of residual pressure exhaust 3 port valve.



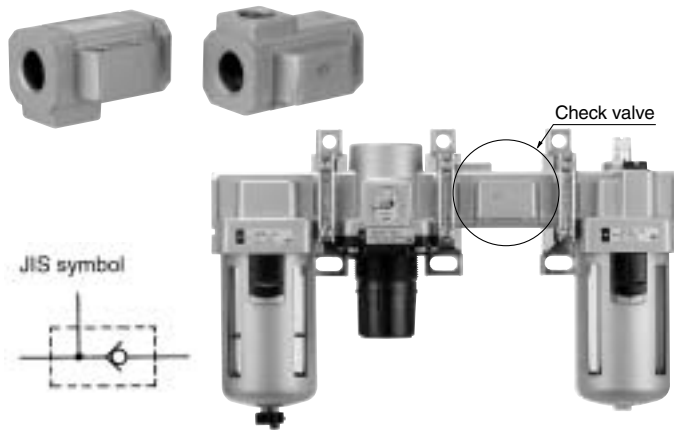
Residual pressure exhaust 3 port valve

Model	File
VHS2000	SAC2000, #11
VHS3000	SAC2503, #11
VHS4000	SAC4000, #11

Series AC

Check Valve (K) Rc1/8, 1/4, 3/8

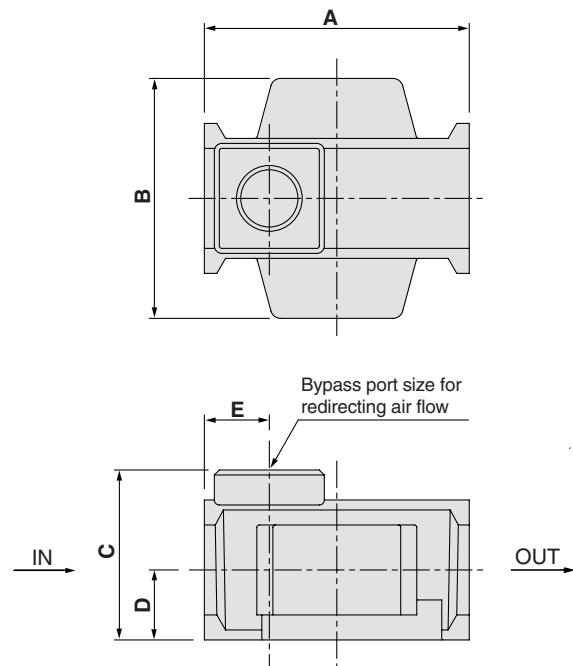
A check valve with intermediate air release port can be easily installed to prevent a back flow of lubricant when redirecting the air flow and releasing the air on the outlet side of the regulator.



Specifications

Model	Effective area (mm ²)
AKM2000	28
AKM3000	55
AKM4000	111

Be sure to use above check valves when redirecting the air flow on the inlet side of the lubricator. Threads for IN and OUT ports are not machined.



Model	Bypass port sizes	A	B	C	D	E	Applicable model
AKM2000	1/8, 1/4	40	40	28	11	11	AC20, AC20A
AKM3000	1/8, 1/4	53	48	34	14	13	AC25, AC25A AC30, AC30A
AKM4000	1/4, 3/8	70	54	42	18	15	AC40, AC40A ^{Note)}

Note) Not applicable to AC40□-06.

* Refer to the attachment table on page 1 or 5 for standard bypass port sizes applicable to AC.

How to Order

AKM 30 00 - 01

Check valve
Body size
20 30 40

Bypass port size for redirecting air flow

Symbol	Port size	Body size		
		20	30	40
01	1/8	●	●	—
02	1/4	●	●	●
03	3/8	—	—	●

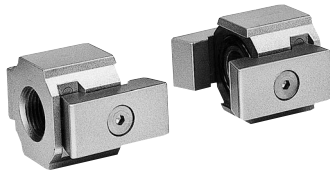
Thread type

Nil	Rc
N	NPT
F	G

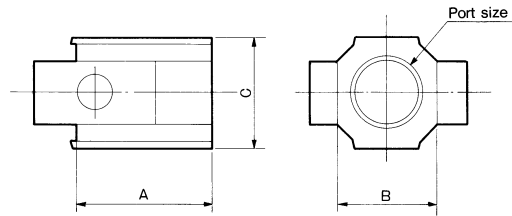
Piping Adaptor

M5x0.8, 1/8•1/4•3/8•1/2•3/4•1

Allows for ease of installation and maintenance.



E30-02



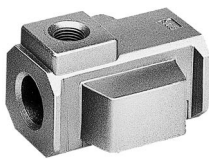
Model	Port size	A	B	C	Applicable model
E10-M5	M5x0.8	.63 (16)	.55 (14)	.69 (17.5)	NAC1000•NAW1000 NAF1000•NAR1000•NAL1000
E20-N01	1/8	.91 (23)	.87 (22)	.87 (22)	NAC2000
E20-N02	1/4				NAF2000•NAR2000•NAW2000
E20-N03	3/8				NAL2000•NAFM2000•NAFD2000
E30-N02	1/4	1.02 (26)	1.14 (29)	1.35 (34.2)	NAC2500•NAC3000 NAF3000•NAR3000•NAW3000
E30-N03	3/8				
E30-N04	1/2	1.57 (40)	1.14 (29)	1.35 (34.2)	NAL3000•NAFM3000•NAFD3000
E40-N02	1/4	1.30 (33)	1.38 (35)	1.66 (42.2)	NAC4000
E40-N03	3/8				NAF4000•NAR4000•NAW4000
E40-N04	1/2				
E40-N06	3/4	1.97 (50)	1.38 (35)	1.66 (42.2)	NAL4000•NAFM4000•NAFD4000
E50-N06	3/4	1.42 (36)	1.73 (44)	1.82 (46.2)	NAC4000-N06•NAC4040-N06 NAF400-N06
E60-N06	3/4	1.57 (40)	2.13 (54)	2.17 (55.2)	NAC5000•NAC5500•NAC6000
E60-N10	1				NAF5000•NAR5000•NAL5000 NAF6000•NAR6000•NAL6000

Inch (mm)

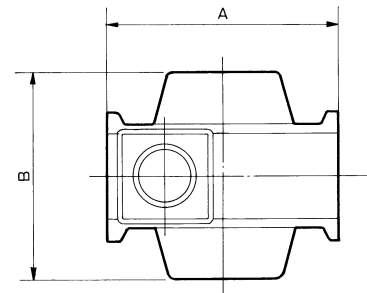
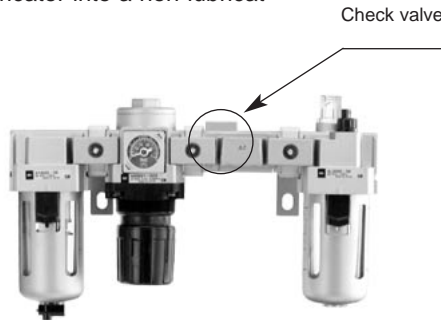
*When piping adaptor with bracket is required, please order as follows.
Example: L-type bracket: E30L-N02
T-type bracket: E30T-N02

Check Valve

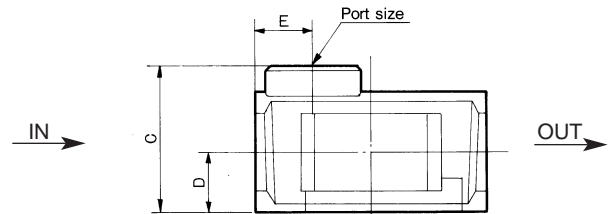
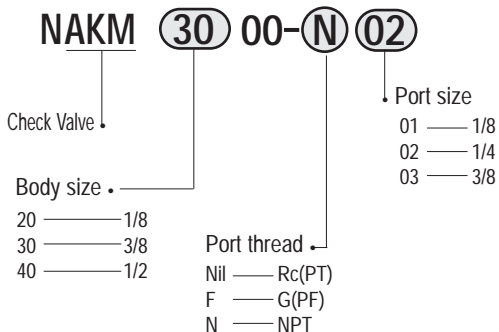
The check valve spacer is designed to prevent back flow of lubricated air from a lubricator into a non-lubricated line.



NAKM3000



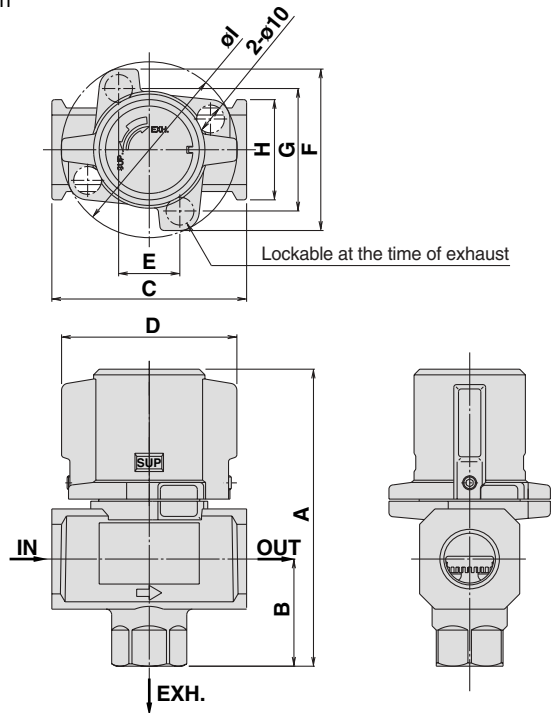
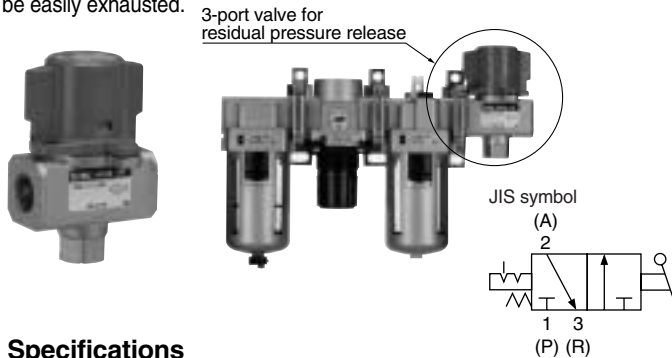
How To Order



Model	Port size	A	B	C	D	E	Applicable model
NAKM2000	1/8•1/4	1.57 (40)	1.57 (40)	1.10 (28)	.43 (11)	.43 (11)	NAC2000•NAC2010
NAKM3000	1/8•1/4	2.09 (53)	1.89 (48)	1.34 (34)	.55 (14)	.51 (13)	NAC2500•NAC2510 NAC3000•NAC3010
NAKM4000	1/4•3/8	2.76 (70)	2.13 (54)	1.65 (42)	.71 (18)	.59 (15)	NAC4000•NAC4010

3-Port Valve for Residual Pressure Release (V)

With the use of a 3-port valve for residual pressure release, pressure left in the line can be easily exhausted.



Specifications

Model	Port size		Effective area (mm ²) () Effective Area mm ² (Cv)	
	IN,OUT	EXH.	IN to OUT	OUT to EXH.
VHS20	1/8	1/8	10 (0.54)	11 (0.60)
	1/4		14 (0.76)	16 (0.87)
VHS30	1/4	1/4	16 (0.87)	14 (0.76)
	3/8		31 (1.68)	29 (1.57)
VHS40	1/4	3/8	27 (1.46)	36 (1.95)
	3/8		38 (2.06)	40 (2.17)
	1/2		55 (2.98)	42 (2.28)
VHS40-06	3/4	1/2	77 (1.73)	49 (2.66)
VHS50	3/4	1/2	82 (4.44)	50 (2.71)
	1		125 (6.78)	53 (2.87)

Note) Use an air filter on the IN side for operating protection.

Model	A	B	C	D	E	F	G	H	I
VHS20	59	20	40	34	—	45	33	28	45
VHS30	78	29	53	46	—	55	42	30	55
VHS40	107	39	70	63	22	58	44	36	63
VHS40-06	110	42	75	67	21	65	50	44	69
VHS50	134	53	90	78	26	76	61	54	81

How to Order

VHS 30-F 03-RZ

3-port valve for residual pressure release

Body size

Symbol	Applicable model
20	AC20
30	AC25,30
40	AC40
50	AC50, AC60 ^{Note)}

Note) When the valve is mounted on AC60, the flow rate may decrease depending upon the mounting position.

Thread type

Nil	Rc
N	NPT
F	G

Port size

Symbol	Port size	Body size			
		20	30	40	50
01	1/8	□	—	—	—
02	1/4	□	□	□	—
03	3/8	—	□	□	—
04	1/2	—	—	□	—
06	3/4	—	—	□	□
10	1	—	—	—	□

Caution

1. Consult SMC when a pressure switch and T type spacer are installed on the outlet of pressure release valve
2. If a stop valve or a silencer is connected to the exhaust port of VHS20/30, the effective sectional area should be larger than the figure indicated in the following table, to prevent malfunction caused by back pressure. (This is not applicable to VHS40 and VHS50)

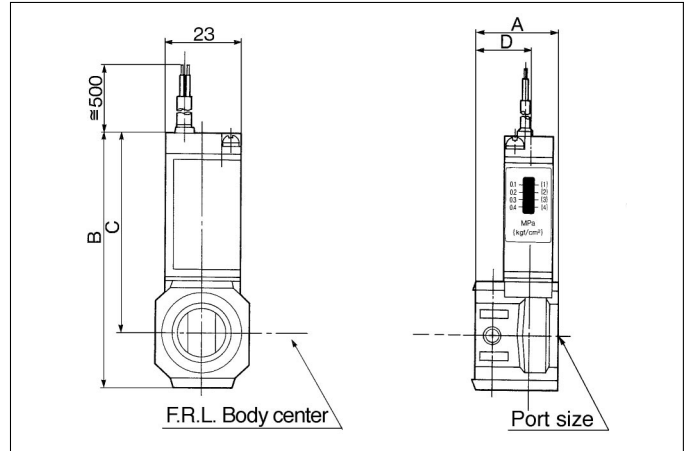
Model	Effective area (mm ²)
VHS20	5
VHS30	5

Optional specifications

Code	Description
R	Flow direction: Right to left
Z ^{Note 1)}	Name plate in imperial units (PSI, °F)

Note 1) This product is for overseas use only according to the new Measurement Law. (The SI unit type is provided for use in Japan.)

Pressure Switch with Piping Adapter



Specifications

Fluid	Air
Proof pressure	1.0MPa
Max. operating pressure	0.7MPa
Set pressure range (off)	0.1 to 0.4MPa
Differential	0.08MPa
Ambient and fluid temperature	5 to 60°C (No condensation)

Switch Characteristics

Contact point structure	1a
Max. contact point capacity	2V AC/2W DC
Voltage AC, DC	12V, 24V, 48V, 100V
Max. operating current	AC, 12V to 24V DC: 50mA AC, 48V DC: 40mA AC, 100V DC: 20mA

Model (1)	Port size	A	B	C	D	Applicable model
IS1000E-2□01Y	1/8	28	73	62	18.5	AC2000, AC2010, AC2020 AC2030, AC2040 AW2000
IS1000E-2□02Y	1/4					
IS1000E-2□03Y	3/8					
IS1000E-3□02Y	1/4	26	80	63	16.5	AC2500, AC2520, AC2530 AC3000, AC3010, AC3020 AC3030, AC3040 AW3000, AW3050
IS1000E-3□03Y	3/8					
IS1000E-3□04Y	1/2	40	80	63	17.5	
IS1000E-4□02Y	1/4					
IS1000E-4□03Y	3/8					
IS1000E-4□04Y	1/2	33	87	66	17.5	AC4000, AC4010, AC4020 AC4030, AC4040 AW4000, AW4050 (2)
IS1000E-4□06Y	3/4					

Note1) □ in the part number indicate a connecting thread. Use nothing for Rc(PT), N for NPT and F for G(PF).

Note2) Can NOT be mounted on "AC40□0-06" and "AW40□0-06".

*With retainer, O ring and bolt.

**Consult SMC when mounting the pressure switch on "AC40□0-06" and "AW40□0-06".

*For more information, refer to p.3.0-0.

How to Order

IS1000E- 3 □ 03 YL □

Pressure switch with piping adapter

Body size

2	For AC2000
3	For AC2500, AC3000
4	For AC4000-02 to 04

Thread

—	Rc(PT)
N	NPT
F	G(PF)

Options

X201	Length of lead wire: 3m
X202	Setting pressure range: 0.1 to 0.6MPa
X250	Reverse mounting (Left side mounting style)

Attachment

—	Without attachment
Y	With attachment
YL	With attachment and L type bracket
YT	With attachment and T type bracket

Piping adapter port size

01	1/8
02	1/4
03	3/8
04	1/2
06	3/4

Attachments for IS1000E

Pressure switch applicable model No.	Y type standard	YL type with L type bracket	YT type with T type bracket
IS1000E-201 to 203	Y20E	Y20LE	Y20TE
IS1000E-302 to 304	Y30E	Y30LE	Y30TE
IS1000E-402 to 406	Y40E	Y40LE	Y40TE

AC

AV

AU

AF

AR

IR

VEX

AW

AMR

AWM

AWD

ITV

VBA

VE

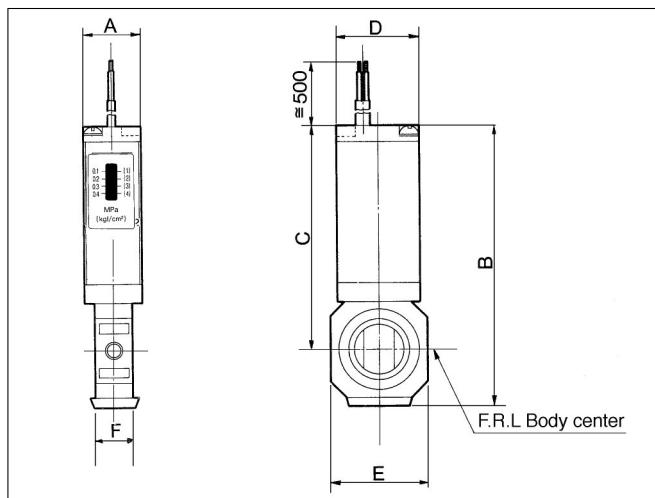
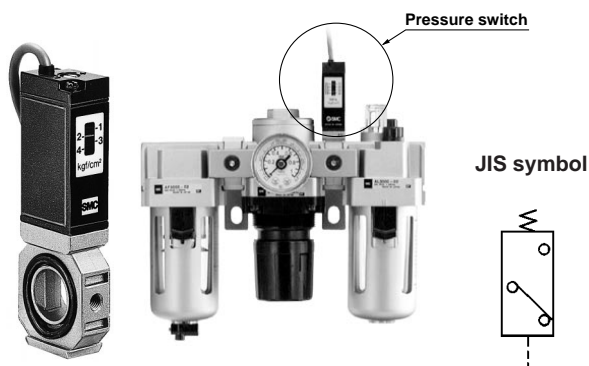
VY

G

AL

Pressure Switch: (S)

Compact pressure switch can be mounted easily.
Makes it easier to detect pressure in lines.



Model	A	B	C	D	E	F	Applicable model
IS1000M-2Y	15	73.5	62.6	23	28	10	AC2000, AC2020, AC2030
IS1000M-3Y	15	82	64.9	23	29	11	AC2500, AC2520, AC2530 AC3000, AC3020, AC3030
IS1000M-4Y	15	88.7	67.6	23	35	14	AC4000, AC4020, AC4030
IS1000M-5Y	15	91	68	23	44	14	AC4000-06, AC4020-06 AC4030-06
IS1000M-6Y	15	100	72.5	23	54	15	AC5000, AC5500, AC6000 AC5020, AC5520, AC6020

Specifications

Fluid	Air
Proof pressure	1.0MPa
Max. operating pressure	0.7MPa
Set pressure range (off)	0.1 to 0.4MPa
Differential	0.08MPa
Ambient and fluid temperature	5 to 60°C(No condensation)

Switch Characteristics

Contact point structure	1a
Max. contact point capacity	2V AC/2W DC
Voltage AC, DC	12V, 24V, 48V, 100V
Max. operating current	AC, 12V to 24V DC: 50mA AC, 48V DC: 40mA AC, 100V DC: 20mA

*For more information, refer to SMC
Pressure switch catalog. (Catalog No.E824)

Caution on Assembling

Attachment for pressure switch can be installed at the IN/OUT side of AF, AR, AL, AFM and AFD. Mounting at the IN/OUT side of AW and upward handle of AR is not possible.

How to Order

IS1000M - 4 - YT - []

Pressure switch

Body size

2	For AC2000
3	For AC2500, AC3000
4	For AC4000-02 to 04
5	For AC4000-06
6	For AC5000, AC6000

Options

X201	Length of lead wire: 3m
X202	Set pressure range: 0.1 to 0.6MPa

Attachment

—	Without attachment
Y	With attachment
YL	With attachment and L type bracket
YT	With attachment and T type bracket

Attachments for IS1000M

Pressure switch applicable model No.	Y type standard	YL type with L type bracket	YT type with T type bracket
IS1000M-2	Y20M	Y20LM	Y20TM
IS1000M-3	Y30M	Y30LM	Y30TM
IS1000M-4	Y40M	Y40LM	Y40TM
IS1000M-5	Y50M	Y50LM	Y50TM
IS1000M-6	Y60M	Y60LM	Y60TM

AC

AV

AU

AF

AR

IR

VEX

AW

AMR

AWM

AWD

ITV

VBA

VE

VY

G

AL