

Heavy Duty Auto Drain

ADH4000 Series



No need for electric power and no waste of air.

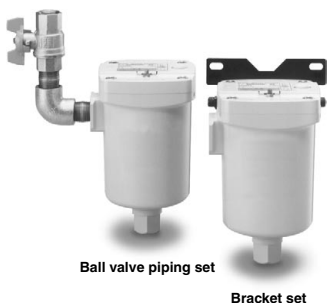
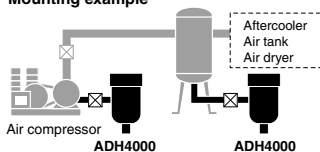
Float type auto drain allows automatic drain discharge without electric power.

Significant reduction of troubles arising from foreign objects by poppet valve structure

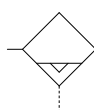
Easy maintenance

Can maintain without removing the existing piping.

Mounting example



Symbol



Specifications

Auto drain type	Float type
Auto drain specifications	N.O. (Normally open: Drain port is open when pressure is not applied.)
Proof pressure	2.5 MPa
Max. operating pressure	1.6 MPa
Operating pressure range ^(Note)	0.05 to 1.6 MPa
Fluid	Compressed air
Ambient and fluid temperature	5 to 60°C (With no condensation) <Corrosive gas, flammable gas and organic solvents are not allowed.>
Max. drain discharge	400 cc/min (Pressure 0.7 MPa, in the case of water)
Weight	1.2 kg (With bracket: 1.3 kg)
Paint color	White

(Note) Use for an air compressor with flow more than 50 L/min (ANR).

Accessory Part No.

Description	Part no.	Contents
Bracket set	BM58	Bracket 1 pc. M6 x 10 L (Hexagon socket head cap screw) ... 2 pcs.
Ball valve piping set	ADH-C400	Ball valve/Rc 1/2 1 pc. Barrel nipple/R 1/2 2 pcs. Elbow/Rc 1/2 1 pc.

How to Order

ADH4000 - 04

Option*

Symbol	Contents	Note
NII	None (Standard)	—
B	Bracket set included	—
C	Ball valve piping set included	Not available for G/NPT threads.

*1: When more than one option is desired, enter in alphabetical order.

*2: Accessories are shipped together, (but not assembled).

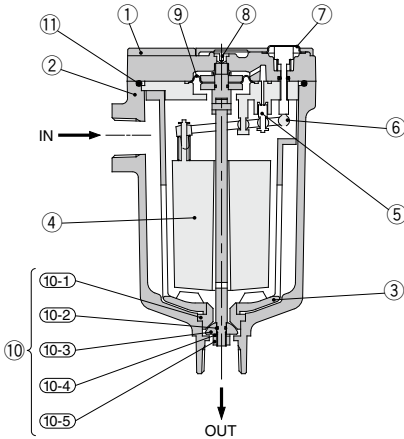
Thread type

NII	Rc
F	G
N	NPT

Thread type

04 1/2 (Female threaded)

Construction



Component Parts

No.	Description	Material	Note
1	Body	Aluminum alloy	Baking finish
2	Housing	Aluminum alloy	Baking finish
3	Drain guard	Aluminum alloy	Baking finish
4	Float	Foam rubber	
5	Pilot valve	Stainless steel + NBR	
6	Lever	Resin	
7	Flushing button	Brass	
8	Orifice	Stainless steel + NBR	
9	Diaphragm	NBR	

Replacement Parts

No.	Description	Part no.	Note
10	Repair kit for main valve	ADH-D400	Kit includes parts from (10-1) to (10-5)
11	O-ring	KA00793	G85 Material: NBR

Note) When changing parts, follow the operating manual.
Do not disassemble other parts.

⚠ Specific Product Precautions

Be sure to read this before handling the products.
Refer to back page 50 for Safety Instructions and pages 6 to 8 for Air Preparation Equipment Precautions.

Design

⚠ Caution

- Use this product in an area where the air pressure does not exceed 1.6 MPa.
If exceeding 1.6 MPa, it could lead to an accident or malfunction.
- An air pressure of 0.05 MPa and an air compressor's discharge flow rates higher than 50 L/min (ANR) are required.
Below these values, the air will be exhausted continuously from the drain exhaust port.
- Keep the compressed air and the ambient temperature of the location where this product is installed within the range of 5 to 60°C. Exceeding this range could lead to a failure or malfunction.
- Avoid using this product in an area where corrosive gases, flammable gases or organic solvents are contained in the compressed air or in the surrounding air.

Selection

⚠ Caution

- The maximum dischargeable drainage rate is 400 cc/min.
If using this product in excess of this value, there could be causing the drain to flow over to the outlet side.

Piping

⚠ Caution

- Use piping of 1/2" or larger for drain inlet and avoid riser piping.
- For drain piping, use a pipe whose I.D. is not less than 8 mm and length not more than 10 m. Do not make any upward angles in drain line. Be sure to secure exhaust port piping since drain is under pressure.

Mounting

⚠ Caution

- Install with "out port" down in a vertical position.
Inclination from the vertical line should be less than 5°.
- Install with at least 200 mm of free space above the unit to allow for maintenance.
- To place this product near the air compressor, install in such a way that the vibrations will not be transmitted.
- Install a valve to drain inlet so that maintenance is possible.
Use a ball valve with a bore size of more than 15 mm. (Ball valve piping set is available as an accessory (option).)

Mounting

⚠ Caution

- When not draining sufficiently, open the bleed valve so that drain could run through easily.

Maintenance

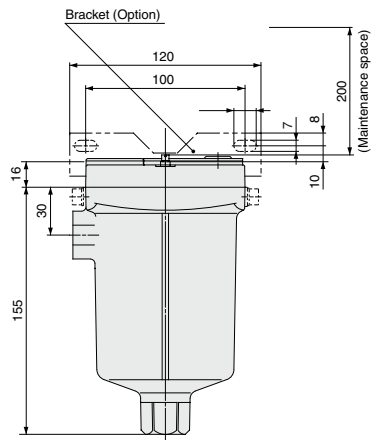
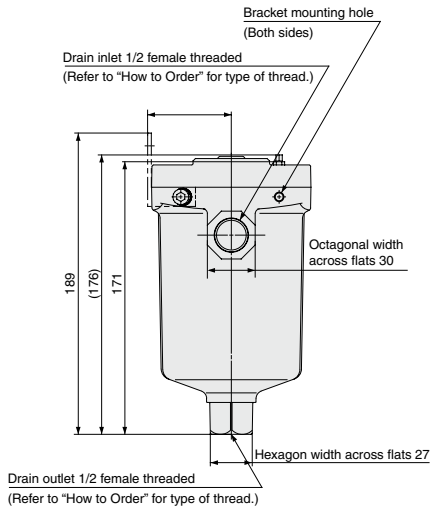
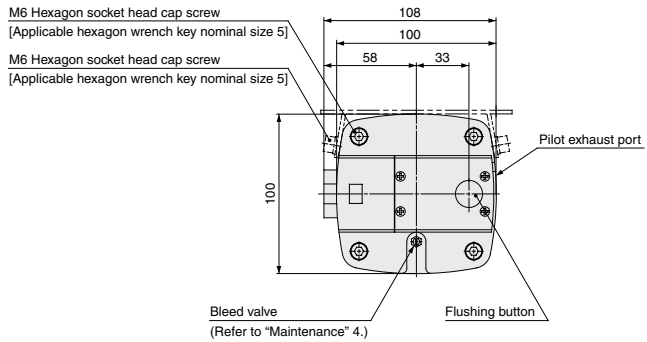
⚠ Caution

- Check drain condition periodically (more than once a day).
Also, push the flushing button to open the exhaust valve.
- Pilot air is exhausted from the exhaust port indicated in "Dimensions". Do not cover this exhaust port. Clean the exhaust port so that port is not blocked by dust, etc.
- When solid foreign objects exceeding 1 mm come in, the main valve may become blocked. After recovering the internal pressure of this product to 0 MPa (atmospheric pressure), remove the hexagon socket head cap screw (M6) from the body part and wash inside with water to remove foreign solid objects blocking the main valve.
- When using this product, drain may not easily enter the product. In such a case, adjust the open angle of its bleed valve to lower the pressure a bit inside the bowl so that drain could run through easily.

HAA
HAW
AT
IDF
IDU
IDF
IFS
IDFA
IDFB
IDH
ID
IDG
IDK
AMG
AFF
AM
AMD
AMH
AME
AMF
ZFC
SF
SFD
LLB
AD
GD

ADH4000 Series

Dimensions



Option: Reference Figure of Assembly

