



Water Separator Series AMG

The AMG series water separator is installed on the air pressure line to remove water drops in the compressed air. It is suitable for use in cases where “water must be removed, but the air does not have to be as dry as when an air dryer is used” or “an air dryer cannot be used because an electric power supply is not available”.

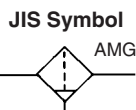
Through the adoption of an element that is used exclusively for removing water drops and the provision of ample housing interior space, a 99%* water removal rate** has been achieved.

⚠ Caution

Water separator can remove water droplets, but it cannot remove moisture.

- *Condition of inlet air
 - Pressure: 0.7 MPa
 - Temperature: 25°C
 - Relative humidity: 100%
 - Liquid water content (Water droplet content): 1.5 g/m³ (ANR)
 - Compressed air flow: Rated flow of each model
- **Removed rate of water (%) = $\frac{\text{Removed water (Water droplet) (g)}}{\text{Inflowed water (Water droplet) (g)}} \times 100$

Various equipment for drain discharge



Made to Order Made to Order Specifications (For details, refer to page 14-20-55.)

⚠ Caution

Be sure to read before handling. Refer to pages 14-21-3 to 4 for Safety Instructions and Common Precautions on the products mentioned in this catalog, pages 14-14-6 to 8 for Precautions on every series, and pages 14-20-62 to 64 for more detailed precautions on every series.

Model

| Model | AMG150 | AMG250 | AMG350 | AMG450 | AMG550 | AMG650 | AMG850 |
|---|---------------|---------------|---------------|-------------|--------|----------|----------|
| Rated flow (ℓ/min (ANR)) <small>Note</small> | 300 | 750 | 1500 | 2200 | 3500 | 6000 | 12000 |
| Port size (Nominal size B) | 1/8, 1/4, 3/8 | 1/4, 3/8, 1/2 | 3/8, 1/2, 3/4 | 1/2, 3/4, 1 | 3/4, 1 | 1, 1 1/2 | 1 1/2, 2 |
| Weight (kg) | 0.38 | 0.55 | 0.9 | 1.4 | 2.1 | 4.2 | 10.5 |

Note) Max. flow capacity at a pressure of 0.7 MPa. Max. flow varies depending on operating pressure. Refer to page 14-20-4 for flow rate and page 14-20-4 for the max. flow line graph.

Specifications

| | |
|-------------------------------|---|
| Fluid | Compressed air |
| Max. operating pressure | 1.0 MPa |
| Min. operating pressure * | 0.05 MPa |
| Proof pressure | 1.5 MPa |
| Ambient and fluid temperature | 5 to 60°C |
| Removed rate of water | 99% |
| Element life | 2 years or when pressure drop reaches 0.1 MPa |

* 0.1 MPa (N.O. type) or 0.15 MPa (N.C. type) in the case of types with auto-drain.

Refer to “Made to Order Specifications” on page 14-20-55.

Accessory (Option)

| Applicable model | AMG150 | AMG250 | AMG350 | AMG450 | AMG550 | AMG650 | AMG850 |
|--|--------|--------|--------|--------|--------|--------|--------|
| Bracket assembly (With cap bolt and spring washer) | BM51 | BM52 | BM53 | BM54 | BM55 | BM56 | BM57 |

How to Order

AMG 250 03 B J

Body size

| | |
|-----|----------------|
| 150 | 1/8 Standard |
| 250 | 1/4 Standard |
| 350 | 3/8 Standard |
| 450 | 1/2 Standard |
| 550 | 3/4 Standard |
| 650 | 1 Standard |
| 850 | 1 1/2 Standard |

Thread type

| | |
|-----|-----|
| Nil | Rc |
| F | G |
| N | NPT |

Port size

| | | | |
|----|------------------|----|--------------------|
| 01 | 1/8 ^B | 06 | 3/4 ^B |
| 02 | 1/4 ^B | 10 | 1 ^B |
| 03 | 3/8 ^B | 14 | 1 1/2 ^B |
| 04 | 1/2 ^B | 20 | 2 ^B |

Option *

| | |
|---|--|
| J | Drain guide 1/4 ^B female thread |
| R | IN-OUT reversal direction |

Note) Element service indicator (symbol: T) is not available as an option because water deposits inside the indicator will lead to malfunctions.

Accessory (Option) *

| Symbol | Description |
|--------|-----------------|
| Nil | — |
| B | Bracket |
| C | N.C. auto-drain |
| D | N.O. auto-drain |

* Refer to the table below for accessory/Option combinations.



Note) Refer to “How to Order Bowl Assembly” on page 14-20-59.

HA

AT

ID

AMG

AFF

AM

Misc.

Accessory/Option Combinations

○ Available Not available ○ Depends on model

| Accessory (Option) | Accessory | Option specifications | Applicable model | | | | | | | | | | |
|--------------------|---------------------------|-----------------------|------------------|---|---|---|--------|--------|--------|--------|--------|--------|--------|
| | | | C | D | J | R | AMG150 | AMG250 | AMG350 | AMG450 | AMG550 | AMG650 | AMG850 |
| Accessory | N.C. auto-drain | C | | | | | | | | | | | |
| | N.O. auto-drain | D | | | | | | | | | | | |
| Option | Drain guide 1/4 B | -J | | | | | | | | | | | |
| | IN-OUT reversal direction | -R | ○ | ○ | ○ | | | | | | | | ○ |

Series AMG

Flow Characteristics

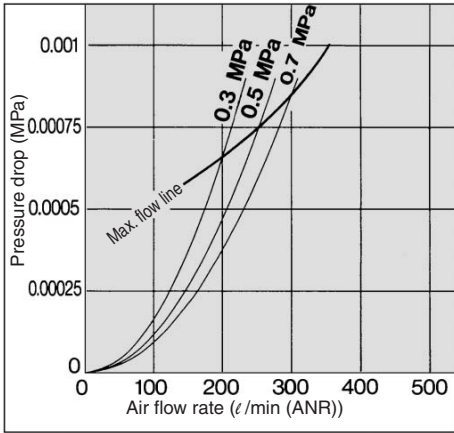
Element initial condition



Note) Compressed air over max. flow line in the table below may not meet the specifications of the product. It may cause damage to the element.

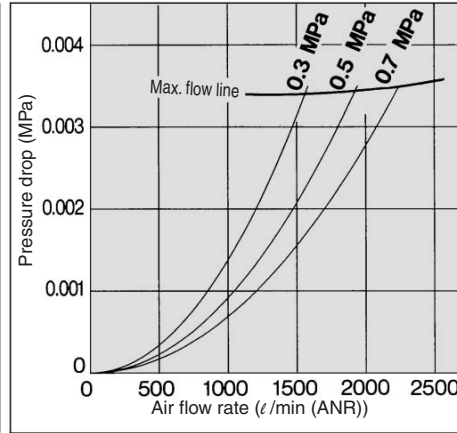
AMG150

$\frac{1}{8}B$



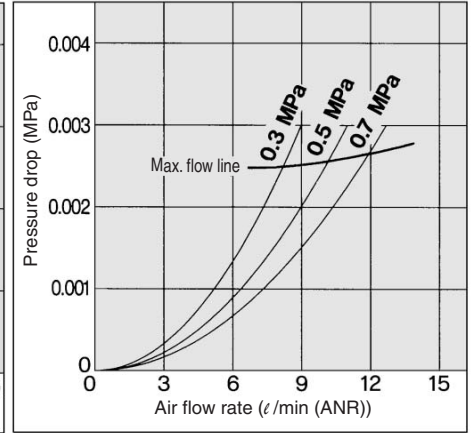
AMG450

$\frac{1}{2}B$



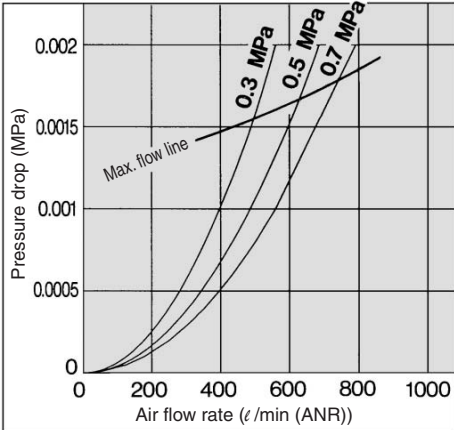
AMG850

$1\frac{1}{2}B$



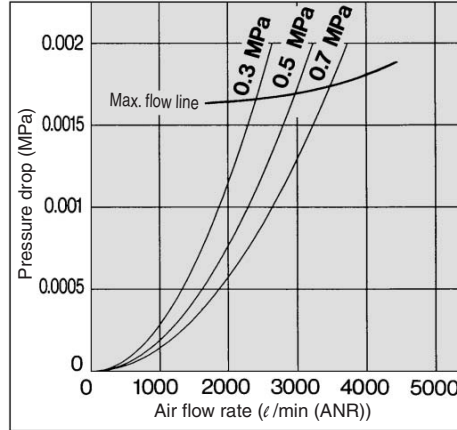
AMG250

$\frac{1}{4}B$



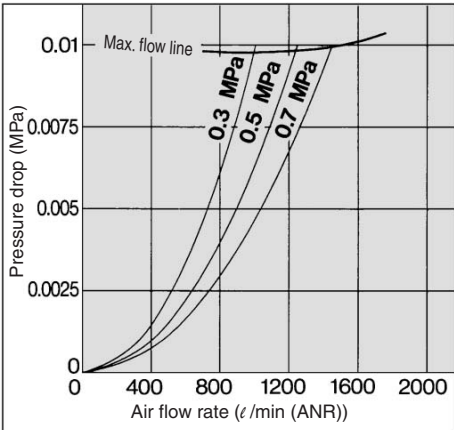
AMG550

$\frac{3}{4}B$



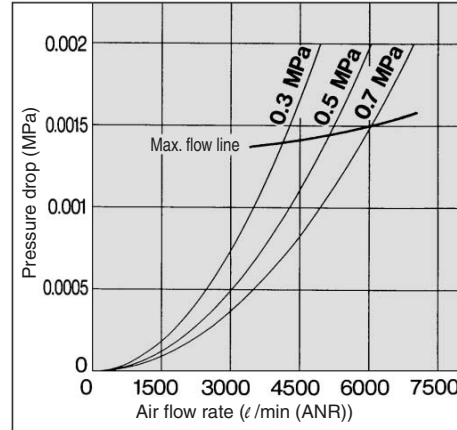
AMG350

$\frac{3}{8}B$

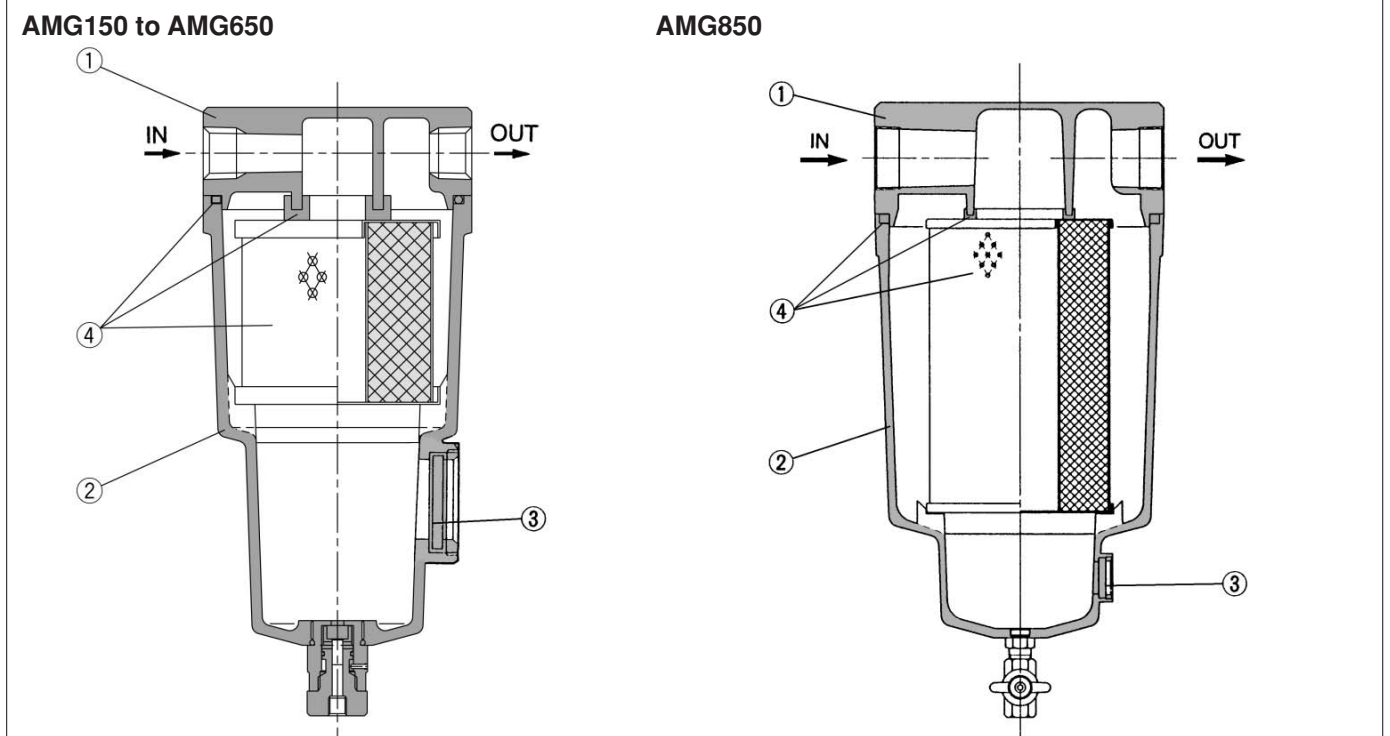


AMG650

$1B$



Construction



Component Parts

| No. | Description | Material | Note |
|-----|-------------|----------------------|--------------------------------|
| ① | Body | Aluminum die-casted | Chrome treated |
| ② | Housing | Aluminum die-casted* | Epoxy coating on inner surface |
| ③ | Sight glass | Tempered glass | |

* AMG850 is aluminum casted.



Note) Refer to page 14-20-59 for "How to Order Bowl Assembly".



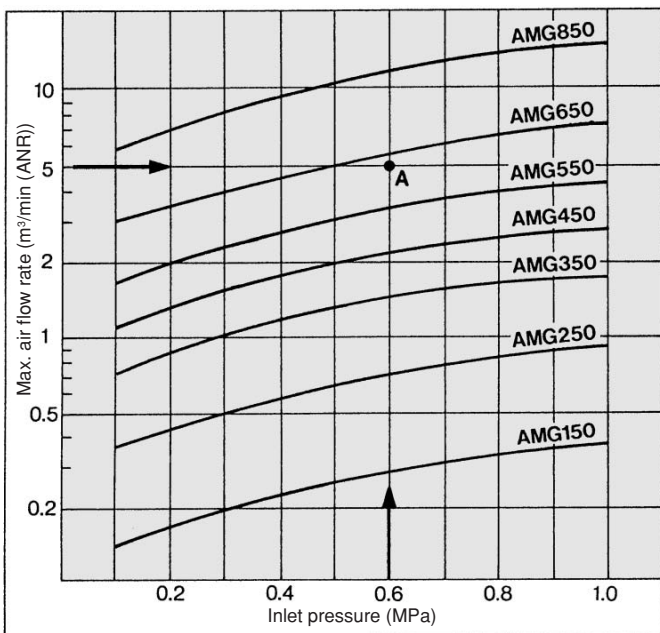
Note) Sight glass is indicated in the figure above for easy understanding of parts, however mounting position is different. Refer to dimensions on pages 14-20-6 to 7 for details.

Replacement Parts

| No. | Description | Material | Model | | | | | | |
|-----|------------------|--------------|-----------|-----------|-----------|-----------|-----------|-----------|-----------|
| | | | AMG150 | AMG250 | AMG350 | AMG450 | AMG550 | AMG650 | AMG850 |
| ④ | Element assembly | Resin Others | AMG-EL150 | AMG-EL250 | AMG-EL350 | AMG-EL450 | AMG-EL550 | AMG-EL650 | AMG-EL850 |

* Element assembly: With gasket and O-ring

Max. Air Flow



Model Selection

Select the model in accordance with the following procedure taking the inlet pressure and max. air flow into consideration.

(Example) Inlet pressure: 0.6 MPa

Maximum air flow rate: 5 m³/min (ANR)

1. Select the point of contact A of inlet pressure and max. air capacity in the graph.
2. AMG650 is obtained when the max. flow line is above the point of intersection A in the graph.



Note) Make sure to select a model that has the maximum flow rate line above the obtained intersecting point. With a model that has the maximum flow rate line below the obtained intersecting point, the flow rate will be exceeded, thus leading to a problem such as being unable to satisfy the specifications.

HA

AT

ID

AMG

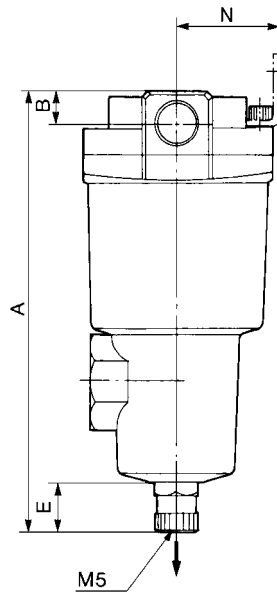
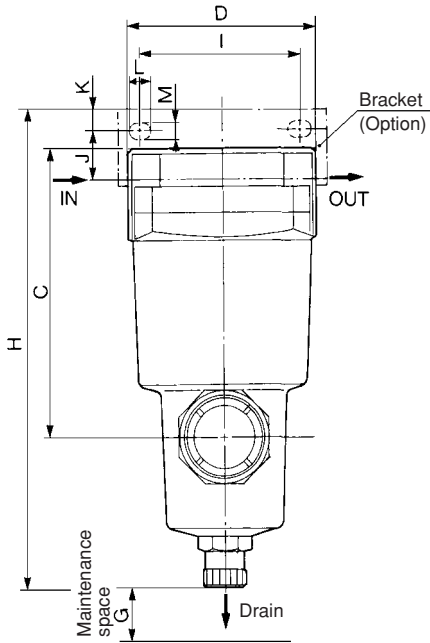
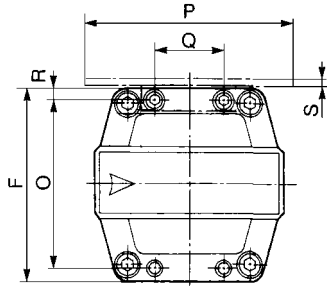
AFF

AM

Misc.

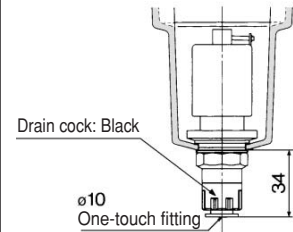
Series AMG

AMG150 to AMG650 Dimensions

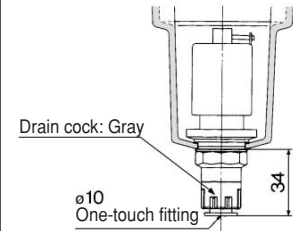


Accessory

D: With auto-drain (N.O.)



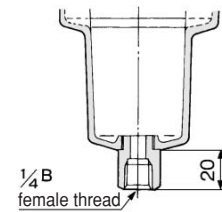
C: With auto-drain (N.C.)



* N.C. auto-drain not available for AMG650.

Option

J: With drain guide

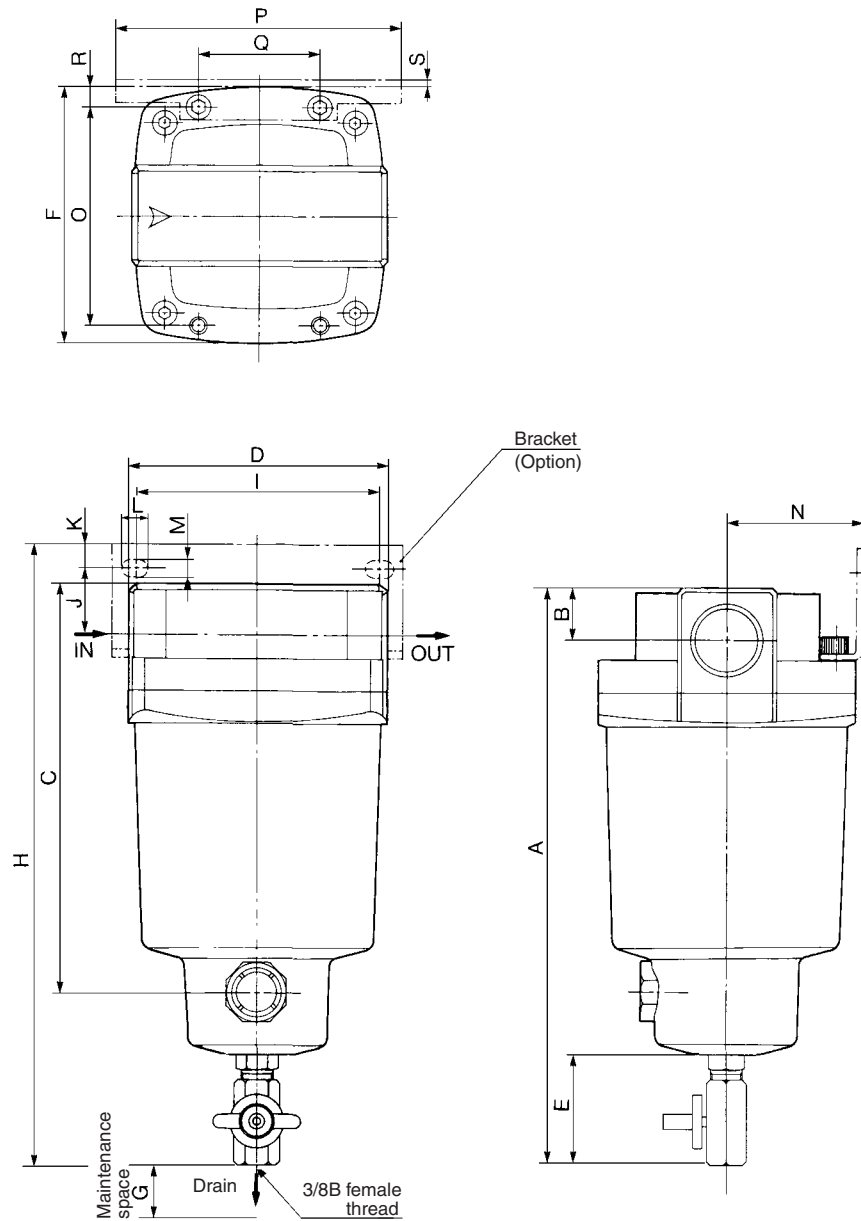
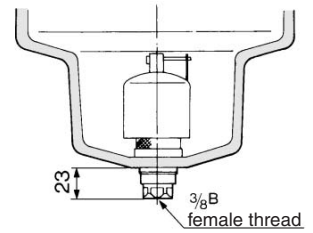


| Model | Port size (Nominal size B) | A | B | C | D | E | F | G | Dimensions with mounting bracket | | | | | | | | | | | |
|--------|-------------------------------|-----|----|-----|-----|----|-----|----|----------------------------------|-----|----|----|----|-----|----|-----|-----|----|-----|-----|
| | | | | | | | | | H | I | J | K | L | M | N | O | P | Q | R | S |
| AMG150 | 1/8, 1/4, 3/8 | 159 | 13 | 100 | 63 | 20 | 63 | 10 | 166 | 56 | 15 | 5 | 9 | 5.5 | 35 | 54 | 70 | 26 | 4.5 | 1.6 |
| AMG250 | 1/4, 3/8 | 172 | 13 | 113 | 76 | 20 | 76 | 10 | 187 | 66 | 20 | 8 | 12 | 6 | 40 | 66 | 84 | 28 | 5 | 2.0 |
| | 1/2 | 178 | 16 | 119 | 76 | 20 | 76 | 10 | 187 | 66 | 17 | 8 | 12 | 6 | 40 | 66 | 84 | 28 | 5 | 2.0 |
| AMG350 | 3/8, 1/2 | 204 | 16 | 145 | 90 | 20 | 90 | 10 | 218 | 80 | 22 | 8 | 14 | 7 | 50 | 80 | 100 | 34 | 5 | 2.3 |
| | 3/4 | 210 | 19 | 151 | 90 | 20 | 90 | 10 | 218 | 80 | 19 | 8 | 14 | 7 | 50 | 80 | 100 | 34 | 5 | 2.3 |
| AMG450 | 1/2, 3/4 | 225 | 19 | 166 | 106 | 20 | 106 | 10 | 241 | 90 | 25 | 10 | 14 | 9 | 55 | 88 | 110 | 50 | 9 | 3.2 |
| | 1 | 232 | 22 | 173 | 106 | 20 | 106 | 10 | 241 | 90 | 21 | 10 | 14 | 9 | 55 | 88 | 110 | 50 | 9 | 3.2 |
| AMG550 | 3/4, 1 | 259 | 22 | 200 | 122 | 20 | 122 | 10 | 277 | 100 | 30 | 10 | 16 | 9 | 65 | 102 | 130 | 60 | 10 | 4.5 |
| AMG650 | 1, 1 1/2 | 311 | 32 | 253 | 160 | 20 | 160 | 10 | 334 | 150 | 40 | 15 | 20 | 11 | 85 | 136 | 180 | 76 | 12 | 4.5 |

AMG850 Dimensions

Accessory

D: With auto-drain (N.O. type) for AMG850



| Model | Port size (Nominal size B) | A | B | C | D | E | F | G | Dimensions with mounting bracket | | | | | | | | | | | |
|--------|-------------------------------|-------|----|-----|-----|------|-----|----|----------------------------------|-----|----|----|----|----|-----|-----|-----|-----|----|-----|
| | | | | | | | | | H | I | J | K | L | M | N | O | P | Q | R | S |
| AMG850 | 1/2, 2 | 460.5 | 42 | 348 | 220 | 57.5 | 220 | 10 | 463.5 | 180 | 30 | 15 | 24 | 13 | 120 | 184 | 220 | 110 | 18 | 6.0 |

HA

AT

ID

AMG

AFF


AM


Misc.




Safety Instructions

These safety instructions are intended to prevent a hazardous situation and/or equipment damage. These instructions indicate the level of potential hazard by labels of "Caution", "Warning" or "Danger". To ensure safety, be sure to observe ISO 4414 ^{Note 1)}, JIS B 8370 ^{Note 2)} and other safety practices.

 **Caution** : Operator error could result in injury or equipment damage.

 **Warning** : Operator error could result in serious injury or loss of life.

 **Danger** : In extreme conditions, there is a possible result of serious injury or loss of life.

Note 1) ISO 4414: Pneumatic fluid power--General rules relating to systems.

Note 2) JIS B 8370: General Rules for Pneumatic Equipment

Warning

1. The compatibility of pneumatic equipment is the responsibility of the person who designs the pneumatic system or decides its specifications.

Since the products specified here are used in various operating conditions, their compatibility for the specific pneumatic system must be based on specifications or after analysis and/or tests to meet your specific requirements. The expected performance and safety assurance will be the responsibility of the person who has determined the compatibility of the system. This person should continuously review the suitability of all items specified, referring to the latest catalog information with a view to giving due consideration to any possibility of equipment failure when configuring a system.

2. Only trained personnel should operate pneumatically operated machinery and equipment.

Compressed air can be dangerous if an operator is unfamiliar with it. Assembly, handling or repair of pneumatic systems should be performed by trained and experienced operators.

3. Do not service machinery/equipment or attempt to remove components until safety is confirmed.

1. Inspection and maintenance of machinery/equipment should only be performed once measures to prevent falling or runaway of the driver objects have been confirmed.
2. When equipment is to be removed, confirm the safety process as mentioned above. Cut the supply pressure for this equipment and exhaust all residual compressed air in the system.
3. Before machinery/equipment is restarted, take measures to prevent shooting-out of cylinder piston rod, etc.

4. Contact SMC if the product is to be used in any of the following conditions:

1. Conditions and environments beyond the given specifications, or if product is used outdoors.
2. Installation on equipment in conjunction with atomic energy, railway, air navigation, vehicles, medical equipment, food and beverages, recreation equipment, emergency stop circuits, clutch and brake circuits in press applications, or safety equipment.
3. An application which has the possibility of having negative effects on people, property, or animals, requiring special safety analysis.



Common Precautions

Be sure to read before handling.

For detailed precautions on every series, refer to main text.

Selection

Warning

1. Confirm the specifications.

Products represented in this catalog are designed for use in compressed air applications only (including vacuum), unless otherwise indicated.

Do not use the product outside their design parameters.

Please contact SMC when using the products in applications other than compressed air (including vacuum).

Mounting

Warning

1. Instruction manual

Install the products and operate them only after reading the instruction manual carefully and understanding its contents. Also keep the manual where it can be referred to as necessary.

2. Securing the space for maintenance

When installing the products, please allow access for maintenance.

3. Tightening torque

When installing the products, please follow the listed torque specifications.

Piping

Caution

1. Before piping

Make sure that all debris, cutting oil, dust, etc., are removed from the piping.

2. Wrapping of pipe tape

When screwing piping or fittings into ports, ensure that chips from the pipe threads or sealing material do not get inside the piping. Also, when the pipe tape is used, leave 1.5 to 2 thread ridges exposed at the end of the threads.

Air Supply

Warning

1. Operating fluid

Please consult with SMC when using the product in applications other than compressed air (including vacuum).

Regarding products for general fluid, please ask SMC about applicable fluids.

2. Install an air dryer, aftercooler, etc.

Excessive condensate in a compressed air system may cause valves and other pneumatic equipment to malfunction.

Installation of an air dryer, after cooler etc. is recommended.

3. Drain flushing

If condensate in the drain bowl is not emptied on a regular basis, the bowl will over flow and allow the condensate to enter the compressed air lines.

If the drain bowl is difficult to check and remove, it is recommended that a drain bowl with the auto-drain option be installed.

For compressed air quality, refer to "Air Preparation Equipment" catalog.

4. Use clean air

If the compressed air supply is contaminated with chemicals, synthetic materials, corrosive gas, etc., it may lead to break down or malfunction.

Operating Environment

Warning

1. Do not use in environments where the product is directly exposed to corrosive gases, chemicals, salt water, water or steam.

2. Do not expose the product to direct sunlight for an extended period of time.

3. Do not use in a place subject to heavy vibrations and/or shocks.

4. Do not mount the product in locations where it is exposed to radiant heat.

Maintenance

Warning

1. Maintenance procedures are outlined in the operation manual.

Not following proper procedures could cause the product to malfunction and could lead to damage to the equipment or machine.

2. Maintenance work

If handled improperly, compressed air can be dangerous.

Assembly, handling and repair of pneumatic systems should be performed by qualified personnel only.

3. Drain flushing

Remove drainage from air filters regularly. (Refer to the specifications.)

4. Shut-down before maintenance

Before attempting any kind of maintenance make sure the supply pressure is shut of and all residual air pressure is released from the system to be worked on.

5. Start-up after maintenance and inspection

Apply operating pressure and power to the equipment and check for proper operation and possible air leaks. If operation is abnormal, please verify product set-up parameters.

6. Do not make any modifications to be product.

Do not take the product apart.

Quality Assurance Information (ISO 9001, ISO 14001)

Reliable quality of products in the global market

To enable our customers throughout the world to use our products with even greater confidence, SMC has obtained certification for international standards “ISO 9001” and “ISO 14001”, and created a complete structure for quality assurance and environmental controls. SMC products pursue to meet its customers’ expectations while also considering company’s contribution in society.

Quality management system ISO 9001

This is an international standard for quality control and quality assurance. SMC has obtained a large number of certifications in Japan and overseas, providing assurance to our customers throughout the world.



Environmental management system ISO 14001

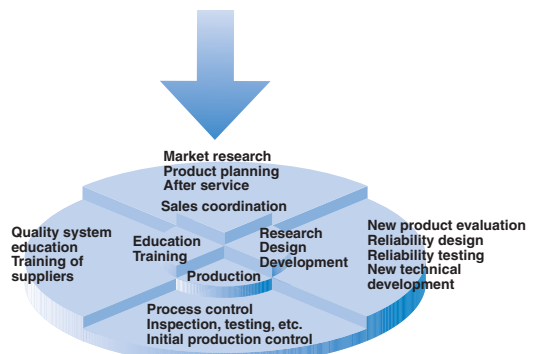
This is an international standard related to environmental management systems and environmental inspections. While promoting environmentally friendly automation technology, SMC is also making diligent efforts to preserve the environment.



SMC’s quality control system



Quality policies



Quality control activities

SMC Product Conforming to Inter

SMC products complying with EN/ISO, CSA/UL standards are supporting



The CE mark indicates that machines and components meet essential requirements of all the EC Directives applied.

It has been obligatory to apply CE marks indicating conformity with EC Directives when machines and components are exported to the member Nations of the EU.

Once “A manufacturer himself” declares a product to be safe by means of CE marking (declaration of conformity by manufacturer), free distribution inside the member Nations of the EU is permissible.

■ CE Mark

SMC provides CE marking to products to which EMC and Low Voltage Directives have been applied, in accordance with CETOP (European hydraulics and pneumatics committee) guide lines.

■ As of February 1998, the following 18 countries will be obliged to conform to CE mark legislation

Iceland, Ireland, United Kingdom, Italy, Austria, Netherlands, Greece, Liechtenstein, Sweden, Spain, Denmark, Germany, Norway, Finland, France, Belgium, Portugal, Luxembourg

■ EC Directives and Pneumatic Components

• Machinery Directive

The Machinery Directive contains essential health and safety requirements for machinery, as applied to industrial machines e.g. machine tools, injection molding machines and automatic machines. Pneumatic equipment is not specified in Machinery Directive. However, the use of SMC products that are certified as conforming to EN Standards, allows customers to simplify preparation work of the Technical Construction File required for a Declaration of Conformity.

• Electromagnetic Compatibility (EMC) Directive

The EMC Directive specifies electromagnetic compatibility. Equipment which may generate electromagnetic interference or whose function may be compromised by electromagnetic interference is required to be immune to electromagnetic affects (EMS/immunity) without emitting excessive electromagnetic affects (EMI/emission).

• Low Voltage Directive

This directive is applied to products, which operate above 50 VAC to 1000 VAC and 75 VDC to 1500 VDC operating voltage, and require electrical safety measures to be introduced.

• Simple Pressure Vessels Directive

This directive is applied to welded vessels whose maximum operating pressure (PS) and volume of vessel (V) exceed 50 bar/L. Such vessels require EC type examination and then CE marking.

national Standards

you to comply with EC directives and CSA/UL standards.



■ CSA Standards & UL Standards

UL and CSA standards have been applied in North America (U.S.A. and Canada) symbolizing safety of electric products, and are defined to mainly prevent danger from electric shock or fire, resulting from trouble with electric products. Both UL and CSA standards are acknowledged in North America as the first class certifying body. They have a long experience and ability for issuing product safety certificate. Products approved by CSA or UL standards are accepted in most states and governments beyond question.

Since CSA is a test certifying body as the National Recognized Testing Laboratory (NRTL) within the jurisdiction of Occupational Safety and Health Administration (OSHA), SMC was tested for compliance with CSA Standards and UL Standards at the same time and was approved for compliance with the two Standards. The above CSA NRTL/C logo is described on a product label in order to indicate that the product is approved by CSA and UL Standards.

■ TSSA (MCCR) Registration Products

TSSA is the regulation in Ontario State, Canada. The products that the operating pressure is more than 5 psi (0.03 MPa) and the piping size is bigger than 1 inch. fall into the scope of TSSA regulation.

Products conforming to CE Standard

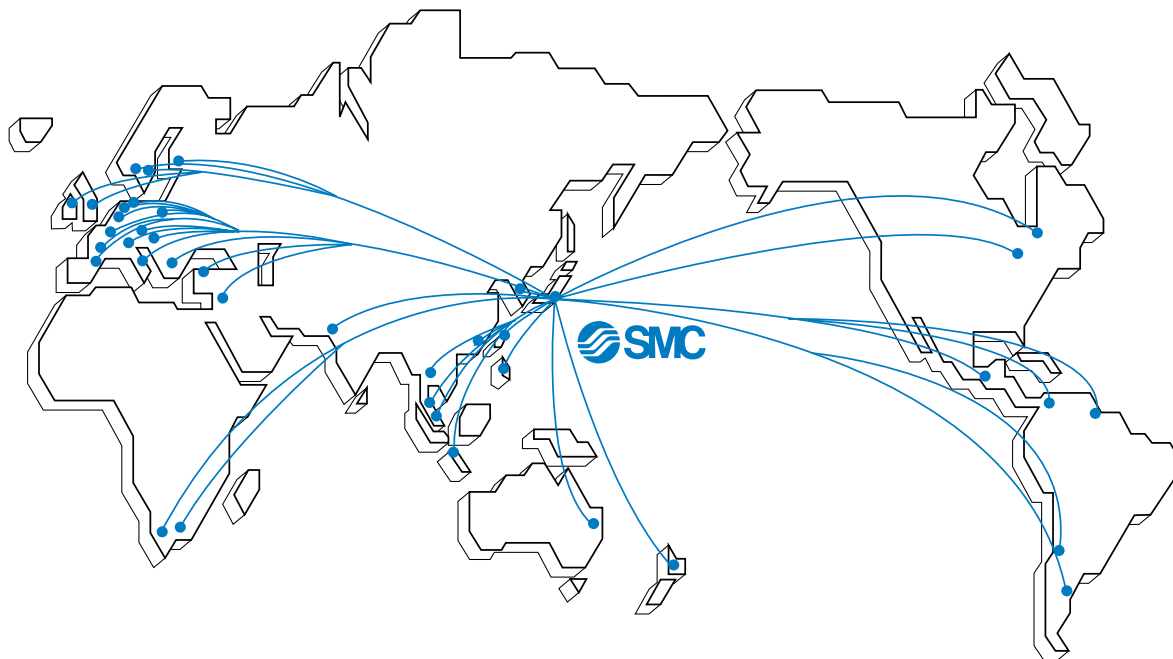


With CE symbol for simple visual recognition

In this catalog each accredited product series is indicated with a CE mark symbol. However, in some cases, every available models may not meet CE compliance. Please visit our web site for the latest selection of available models with CE mark.

<http://www.smcworld.com>

SMC's Global Service Network



America

U.S.A. **SMC Corporation of America**

3011 North Franklin Road Indianapolis, IN 46226, U.S.A.
TEL: 317-899-4440 FAX: 317-899-3102

CANADA **SMC Pneumatics (Canada) Ltd.**

6768 Financial Drive Mississauga, Ontario, L5N 7J6 Canada
TEL: 905-812-0400 FAX: 905-812-8686

MEXICO **SMC Corporation (Mexico), S.A. DE C.V.**

Carr. Silao-Trejo K.M. 2.5 S/N, Predio San Jose del Duranzo
C.P. 36100, Silao, Gto., Mexico
TEL: 472-72-2-55-00 FAX: 472-72-2-59-44/2-59-46

CHILE **SMC Pneumatics (Chile) S.A.**

Av. La Montaña 1,115 km. 16.5 P. Norte Parque
Industrial Valle Grande, Lampa Santiago, Chile
TEL: 02-270-8600 FAX: 02-270-8601

ARGENTINA **SMC Argentina S.A.**

Teodoro Garcia 3860 (1427) Buenos Aires, Argentina
TEL: 011-4555-5762 FAX: 011-4555-5762

BOLIVIA **SMC Pneumatics Bolivia S.R.L.**

Avenida Beni Numero 4665
Santa Cruz de la Sierra-Casilla de Correo 2281, Bolivia
TEL: 591-3-3428383 FAX: 591-3-3449900

VENEZUELA **SMC Neumatica Venezuela S.A.**

Apartado 40152, Avenida Nueva Granada, Edificio Wanlac,
Local 5, Caracas 1040-A, Venezuela
TEL: 2-632-1310 FAX: 2-632-3871

PERU (Distributor) **IMPECO Automatizacion Industrial S.A.**

AV. Canevaro 752, Lince, Lima, Peru
TEL: 1-471-6002 FAX: 1-471-0935

URUGUAY (Distributor) **BAKO S.A.**

Galicia 1650 esq. Gaboto C.P. 11200, Montevideo, Uruguay
TEL: 2-401-6603 FAX: 2-409-4306

BRAZIL **SMC Pneumaticos Do Brasil Ltda.**

Rua. Dra. Maria Fidelis, nr. 130, Jardim Piraporinha-Diadema-S.P.
CEP: 09950-350, Brasil
TEL: 11-4051-1177 FAX: 11-4071-6636

COLOMBIA (Distributor) **Airmatic Ltda.**

Calle 18 69-05 Apart. Aereo 081045 Santa Fe de Bogotá, Colombia
TEL: 1-424-9240 FAX: 1-424-9260

Europe

U.K. **SMC Pneumatics (U.K.) Ltd.**

Vincent Avenue, Crownhill, Milton Keynes, MK8 0AN, Buckinghamshire, U.K.
TEL: 01908-563888 FAX: 01908-561185

GERMANY **SMC Pneumatik GmbH**

Boschring 13-15 D-63329 Egelsbach, Germany
TEL: 06103-4020 FAX: 06103-402139

ITALY **SMC Italia S.p.A.**

Via Garibaldi 62 I-20061 Carugate Milano, Italy
TEL: 02-9271365 FAX: 02-9271365

FRANCE **SMC Pneumatique S.A.**

1 Boulevard de Strasbourg, Parc Gustave Eiffel, Bussy Saint Georges, F-77600
Marne La Vallee Cedex 3 France
TEL: 01-64-76-10-00 FAX: 01-64-76-10-10

SWEDEN **SMC Pneumatics Sweden AB**

Ekhagsvägen 29-31, S-141 05 Huddinge, Sweden
TEL: 08-603-07-00 FAX: 08-603-07-10

SWITZERLAND **SMC Pneumatik AG**

Dorfstrasse 7, Postfach 117, CH-8484 Weisslingen, Switzerland
TEL: 052-396-3131 FAX: 052-396-3191

AUSTRIA **SMC Pneumatik GmbH (Austria)**

Girakstrasse 8, A-2100 Korneuburg, Austria
TEL: 0-2262-6228-0 FAX: 0-2262-62285

SPAIN **SMC España, S.A.**

Zuazobidea 14 Pol. Ind. Júndiz 01015 Vitoria, Spain
TEL: 945-184-100 FAX: 945-184-510

IRELAND **SMC Pneumatics (Ireland) Ltd.**

2002 Citywest Business Campus, Naas Road, Saggart, Co. Dublin, Ireland
TEL: 01-403-9000 FAX: 01-466-0385

NETHERLANDS (Associated company) **SMC Pneumatics BV**

De Ruyterkade 120, NL-1011 AB Amsterdam, Netherlands
TEL: 020-5318888 FAX: 020-5318880

GREECE (Distributor) **S.Parianopoulos S.A.**

7, Konstantinoupoleos Street 11855 Athens, Greece
TEL: 01-3426076 FAX: 01-3455578

DENMARK **SMC Pneumatik A/S**

Knudsminde 4 B DK-8300
Odder, Denmark
TEL: 70252900 FAX: 70252901

Europe

FINLAND SMC Pneumatics Finland OY

PL72, Tiistiniityntie 4, SF-02231 ESP00, Finland
TEL: 09-8595-80 FAX: 09-8595-8595

NORWAY SMC Pneumatics Norway A/S

Vollsvæien 13C, Granfoss Næringspark N-1366 LYSAKER, Norway
TEL: 67-12-90-20 FAX: 67-12-90-21

BELGIUM (Distributor) SMC Pneumatics N.V./S.A.

Nijverheidsstraat 20 B-2160 Wommelgem Belgium
TEL: 03-355-1464 FAX: 03-355-1466

POLAND SMC Industrial Automation Polska Sp.z.o.o.

ul. Konstruktorska 11A, PL-02-673 Warszawa, Poland
TEL: 022-548-5085 FAX: 022-548-5087

TURKEY (Distributor) Entek Pnömatik San.ve Tic. Ltd. Sti

Perpa Tic. Merkezi Kat:11 No.1625 80270 Okmeydani Istanbul, Türkiye
TEL: 0212-221-1512 FAX: 0212-221-1519

RUSSIA SMC Pneumatik LLC.

36/40 Sredny prospect V.O. St. Petersburg 199004, Russia
TEL: 812-118-5445 FAX: 812-118-5449

CZECH SMC Industrial Automation CZ s.r.o.

Hudcova 78a, CZ-61200 Brno, Czech Republic
TEL: 05-4121-8034 FAX: 05-4121-8034

HUNGARY SMC Hungary Ipari Automatizálási kft.

Budafoki ut 107-113 1117 Budapest
TEL: 01-371-1343 FAX: 01-371-1344

ROMANIA SMC Romania S.r.l.

Str. Frunzei, Nr. 29, Sector 2, Bucharest, Romania
TEL: 01-3205111 FAX: 01-3261489

SLOVAKIA SMC Priemyselná automatizácia, s.r.o.

Nova 3, SK-83103 Bratislava
TEL: 02-4445-6725 FAX: 02-4445-6028

SLOVENIA SMC Industrijska Avtomatila d.o.o.

Grajski trg 15, SLO- 8360 Zuzemberk, Slovenia
TEL: 07388-5240 FAX: 07388-5249

LATVIA SMC Pneumatics Latvia SIA

Šmerļa ielā 1-705, Rīga LV-1006
TEL: 777 94 74 FAX: 777 94 75

SOUTH AFRICA (Distributor) Hyflo Southern Africa (Pty.) Ltd.

P.O.Box 240 Paardeneiland 7420 South Africa
TEL: 021-511-7021 FAX: 021-511-4456

EGYPT (Distributor) Saadani Trading & Ind. Services

15 Sebaai Street, Miami 21411 Alexandria, Egypt
TEL: 3-548-50-34 FAX: 3-548-50-34

Oceania/Asia

AUSTRALIA SMC Pneumatics (Australia) Pty.Ltd.

14-18 Hudson Avenue Castle Hill NSW 2154, Australia
TEL: 02-9354-8222 FAX: 02-9894-5719

NEW ZEALAND SMC Pneumatics (New Zealand) Ltd.

8C Sylvia Park Road Mt.Wellington Auckland, New Zealand
TEL: 09-573-7007 FAX: 09-573-7002

TAIWAN SMC Pneumatics (Taiwan) Co.,Ltd.

17, Lane 205, Nansan Rd., Sec.2, Luzhu-Hsiang, Taoyuan-Hsien, TAIWAN
TEL: 03-322-3443 FAX: 03-322-3387

HONG KONG SMC Pneumatics (Hong Kong) Ltd.

29/F, Clifford Centre, 778-784 Cheung, Sha Wan Road, Lai Chi Kok, Kowloon, Hong Kong
TEL: 2744-0121 FAX: 2785-1314

SINGAPORE SMC Pneumatics (S.E.A.) Pte. Ltd.

89 Tuas Avenue 1, Jurong Singapore 639520
TEL: 6861-0888 FAX: 6861-1889

PHILIPPINES SHOKETSU SMC Corporation

Unit 201 Common Goal Tower, Madrigal Business Park, Ayala Alabang Muntinlupa, Philippines
TEL: 02-8090565 FAX: 02-8090586

MALAYSIA SMC Pneumatics (S.E.A.) Sdn. Bhd.

Lot 36 Jalan Delima1/1, Subang Hi-Tech Industrial Park, Batu 3 40000 Shah Alam Selangor, Malaysia
TEL: 03-56350590 FAX: 03-56350602

SOUTH KOREA SMC Pneumatics Korea Co., Ltd.

Woolim e-BIZ Center (Room 1008), 170-5, Guro-Dong, Guro-Gu, Seoul, 152-050, South Korea
TEL: 02-3219-0700 FAX: 02-3219-0702

CHINA SMC (China) Co., Ltd.

7 Wan Yuan St. Beijing Economic & Technological Development Zone 100176, China
TEL: 010-67882111 FAX: 010-67881837

THAILAND SMC Thailand Ltd.

134/6 Moo 5, Tiwanon Road, Bangkadi, Amphur Muang, Patumthani 12000, Thailand
TEL: 02-963-7099 FAX: 02-501-2937

INDIA SMC Pneumatics (India) Pvt. Ltd.

D-107 to 112, Phase-2, Extension, Noida, Dist. Gautaim Budh Nagar, U.P. 201 305, India
TEL: (0120)-4568730 FAX: 0120-4568933

INDONESIA (Distributor) P.T. Riyadi Putera Makmur

Jalan Hayam Wuruk Komplek Glodok Jaya No. 27-28 Jakarta 11180 Indonesia
TEL: 021-625 5548 FAX: 021-625 5888

PAKISTAN (Distributor) Jubilee Corporation

First Floor Mercantile Centre, Newton Road Near Boulton Market P.O. Box 6165 Karachi 74000 Pakistan
TEL: 021-243-9070/8449 FAX: 021-241-4589

ISRAEL (Distributor) Baccara Automation Control

Kvutza Geva 18915 Israel
TEL: 04-653-5960 FAX: 04-653-1445

SAUDI ARABIA (Distributor) Assaggaff Trading Est.

P.O. Box 3385 Al-Amir Majed Street, Jeddah-21471, Saudi Arabia
TEL: 02-6761574 FAX: 02-6708173

Water Separator

Series AMG

Can remove water droplets in compressed air. Use this product in cases where “water must be avoided, but not so dry as when an air dryer is used”.

Through the adoption of an element that is exclusively used for removing water droplets and the ample housing interior space, a 99%* water removal rate** has been achieved.

⚠ Caution

Water separator can remove water droplets, but it cannot remove moisture.

* Condition of inlet air
 Pressure: 0.7 MPa
 Temperature: 25°C
 Relative humidity: 100%
 Liquid water content (Water droplet content): 15 g/m³ (ANR)
 Compressed air flow: Rated flow of each model

** Water removal rate (%) = $\frac{\text{Removed water (Water droplet) (g)}}{\text{Inflowed water (Water droplet) (g)}} \times 100$

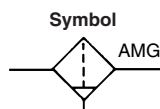
Modular connection is possible with AMG150C to 550C.
 (For details, refer to page 61.)



AMG150C to 550C



AMG650/850



Model

| Model | AMG150C | AMG250C | AMG350C | AMG450C | AMG550C | AMG650 | AMG850 |
|---|----------|----------|----------|----------|---------|----------|----------|
| Rated flow (ℓ/min (ANR)) <small>Note</small> | 300 | 750 | 1500 | 2200 | 3700 | 6000 | 12000 |
| Port size | 1/8, 1/4 | 1/4, 3/8 | 3/8, 1/2 | 1/2, 3/4 | 3/4, 1 | 1, 1 1/2 | 1 1/2, 2 |
| Mass (kg) | 0.38 | 0.55 | 0.9 | 1.4 | 2.1 | 4.2 | 10.5 |



Note) Max. flow at 0.7 MPa.

Max. flow varies depending on the operating pressure. Refer to “Flow Characteristics” (page 5) and “Maximum Air flow” (page 6).

Specifications

| | |
|-------------------------------|---|
| Fluid | Compressed air |
| Max. operating pressure | 1.0 MPa |
| Min. operating pressure* | 0.05 MPa |
| Proof pressure | 1.5 MPa |
| Ambient and fluid temperature | 5 to 60°C |
| Water removal rate | 99% |
| Element life | 2 years or when pressure drop reached 0.1 MPa |

* With auto drain: 0.1 MPa (N.O. type) or 0.15 MPa (N.C. type)

Accessory

| Applicable model | AMG150C | AMG250C | AMG350C | AMG450C | AMG550C | AMG650 | AMG850 |
|---|----------|----------|----------|----------|----------|--------|--------|
| Bracket assembly (with 2 mounting screws) | AM-BM101 | AM-BM102 | AM-BM103 | AM-BM104 | AM-BM105 | BM56 | BM57 |

⚠ Caution

Be sure to read this before handling.
 Refer to back pages 1 and 2 for Safety Instructions, “Precautions for Handling Pneumatic Devices” (M-03-E3A) for Common Precautions, and back pages 3 through to 7 for Specific Product Precautions.



Made to Order
 (For details, refer to page 67.)

How to Order



AMG150C to 550C

AMG **550C** - [] - **10** - [] - [] - [] - []

Body size

| |
|------|
| 150C |
| 250C |
| 350C |
| 450C |
| 550C |

Thread type

| Symbol | Type |
|--------|------|
| Nil | Rc |
| F | G*1 |
| N | NPT |

*1 Conforms to ISO1179-1.

Port size

| Symbol | Size | Applicable body size | | | | |
|--------|------|----------------------|------|------|------|------|
| | | 150C | 250C | 350C | 450C | 550C |
| 01 | 1/8 | ● | | | | |
| 02 | 1/4 | ● | ● | | | |
| 03 | 3/8 | | ● | ● | | |
| 04 | 1/2 | | | ● | ● | |
| 06 | 3/4 | | | | ● | ● |
| 10 | 1 | | | | | ● |

Accessory

| Symbol | Description |
|--------|-------------|
| Nil | — |
| B | Bracket *2 |

*2 Bracket is included, (but not assembled).

Made to Order

("How to Order" and the applicable models are different from those shown on this page. Be sure to refer to "Made to Order".)

| Symbol | Description | Page for details |
|--------|--|------------------|
| Nil | — | — |
| X15 | With IN-OUT flange | P.69 |
| X26 | N.C., N.O. auto drain, drain piping type | P.70 |

Option *3

| Symbol | Description |
|--------|------------------------------------|
| Nil | — |
| F | Rubber material: Fluororubber |
| H | For medium air pressure (1.6 MPa) |
| J | Drain guide 1/4 female threaded *4 |
| R | IN-OUT reversal direction |
| V | Degreasing wash, *5 white vaseline |

*4 Drain piping and piping for a stop valve such as ball valve are required.

*5 Only body/housing is degreasing washed.

Auto drain *3

| Symbol | Description |
|--------|---------------------------------|
| Nil | Drain cock (Without auto drain) |
| C | N.C. auto drain |
| D | N.O. auto drain |

*3 Refer to "Auto Drain Specifications/Option Combinations".

Auto Drain Specifications/Option Combinations

○: Available □: Not available

△: Plural options cannot be selected.

(i.e. Combinations such as C-FV, D-FHV are not possible.)

| Symbol | F | H | R | V |
|---------------------------|---|---|---|---|
| Auto drain specifications | | | | |
| Nil | ○ | ○ | ○ | ○ |
| C | △ | □ | ○ | △ |
| D | △ | △ | ○ | △ |
| J | ○ | ○ | ○ | ○ |

Options

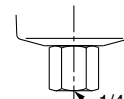
Symbol F: Rubber material: Fluororubber

Fluororubber is used for the parts such as O-ring and gasket.

Symbol H: For medium air pressure (1.6 MPa)

Can be used up to 1.6 MPa at maximum.

Symbol J: Drain guide 1/4 female threaded



Can be piped to the drain exhaust port.

1/4 female threaded

Symbol R: IN-OUT reversal direction

Air flow in the separator is changed to right to left.
(Air flow direction of the standard: Left to right.)

Symbol V: Degreasing wash, white vaseline

Body/housing is degreasing washed. The lubrication grease for O-ring and gasket is changed to white vaseline.



How to Order

AMG650/850

AMG **650** - [] **10** [] [] - [] - []

Body size

| |
|-----|
| 650 |
| 850 |

Thread type

| Symbol | Type |
|--------|------|
| Nil | Rc |
| F | G |
| N | NPT |

Port size

| Symbol | Size | Applicable body size | |
|--------|-------|----------------------|-----|
| | | 650 | 850 |
| 10 | 1 | ● | — |
| 14 | 1 1/2 | ● | ● |
| 20 | 2 | — | ● |

Accessory

| Symbol | Description |
|--------|-------------|
| Nil | — |
| B | Bracket *1 |

*1 Bracket is included, (but not assembled).

Made to Order

("How to Order" and the applicable models are different from those shown on this page. Be sure to refer to "Made to Order".)

| Symbol | Description | Page for details |
|--------|--|------------------|
| Nil | — | — |
| X15 | With IN-OUT flange | P.69 |
| X26 | N.C., N.O. auto drain, drain piping type | P.70 |
| X12 | White vaseline | P.70 |

Option *2

| Symbol | Description |
|--------|------------------------------------|
| Nil | — |
| J | Drain guide 1/4 female threaded *4 |
| R | IN-OUT reversal direction |

*4 Drain piping and piping for a stop valve such as ball valve are required.

Note) Element service indicator (symbol: T) is not available as an option because water deposits inside the indicator could lead to malfunctions.

Auto drain *2

| Symbol | Description |
|--------|------------------------------------|
| Nil | Drain cock (Without auto drain) *3 |
| D | N.O. auto drain |

*2 Refer to "Auto Drain Specifications/Option Combinations".

*3 Body size 850 is equipped with a ball valve (Rc3/8 female threaded). Mount a piping adapter IDF-AP609 (page 62) to the ball valve if NPT3/8 female threaded is required.



Note) Refer to "How to Order Bowl Assembly" on page 63.

Auto Drain Specifications/Option Combinations

○ : Available □ : Not available

| Auto drain specifications/Option | | Auto drain specifications | | | Option | | Applicable model | |
|----------------------------------|---------------------------|---------------------------|---|---|--------|--------|------------------|--|
| | | D | | J | R | AMG650 | AMG850 | |
| Auto drain specifications | N.O. auto drain | D | □ | □ | ○ | ○ | ○ | |
| | Drain guide 1/4 | J | □ | □ | ○ | ○ | ○ | |
| Option | IN-OUT reversal direction | R | ○ | ○ | □ | ○ | ○ | |

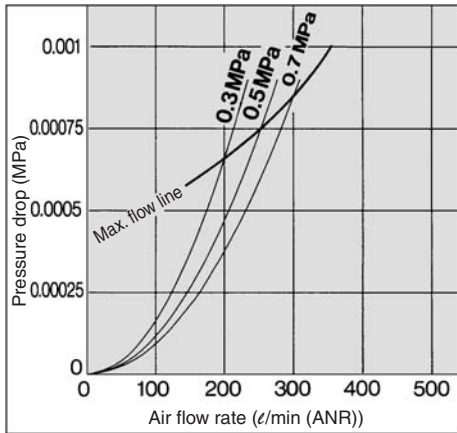
Series AMG

Flow Characteristics

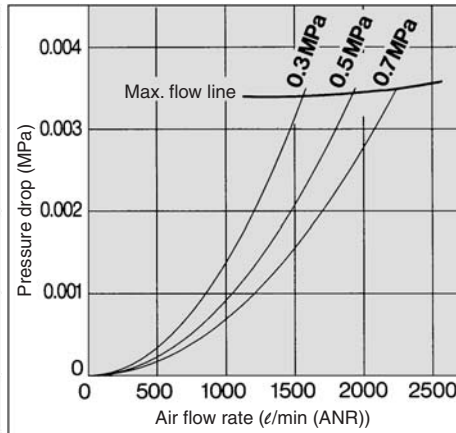


Note) Compressed air over max. flow line in the table below may not meet the specifications of the product. It may cause damage to the element.

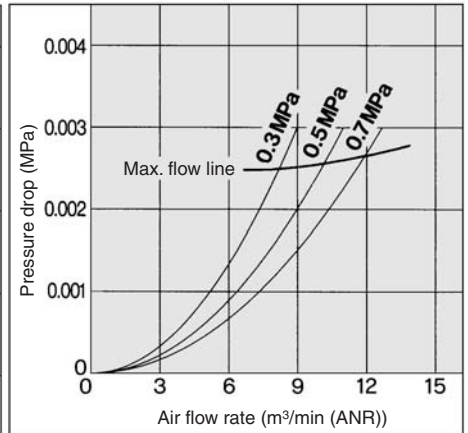
AMG150C



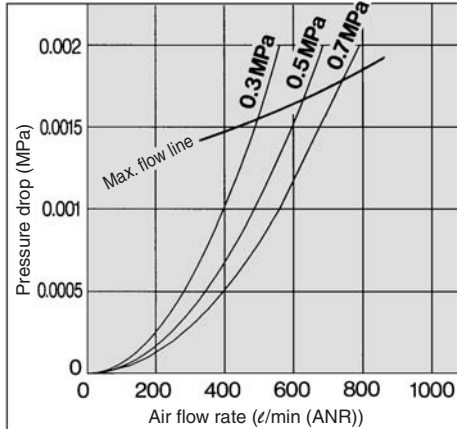
AMG450C



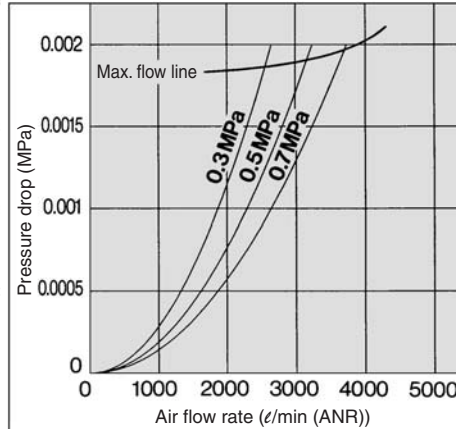
AMG850



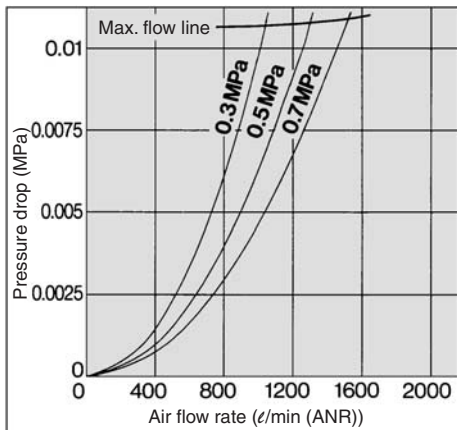
AMG250C



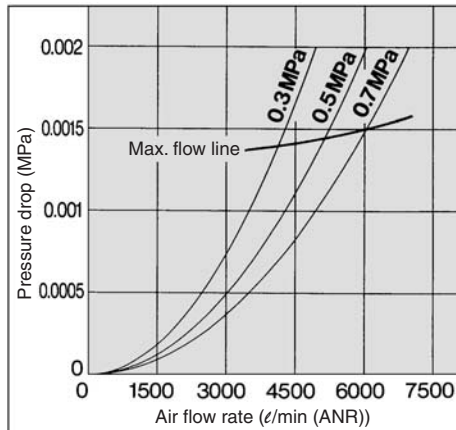
AMG550C



AMG350C

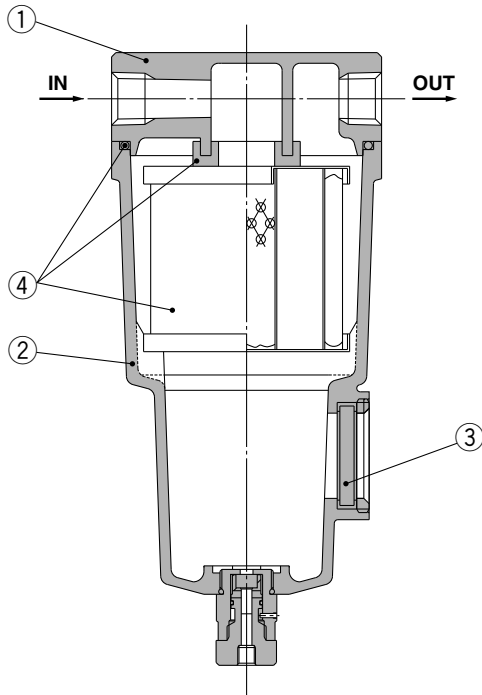


AMG650

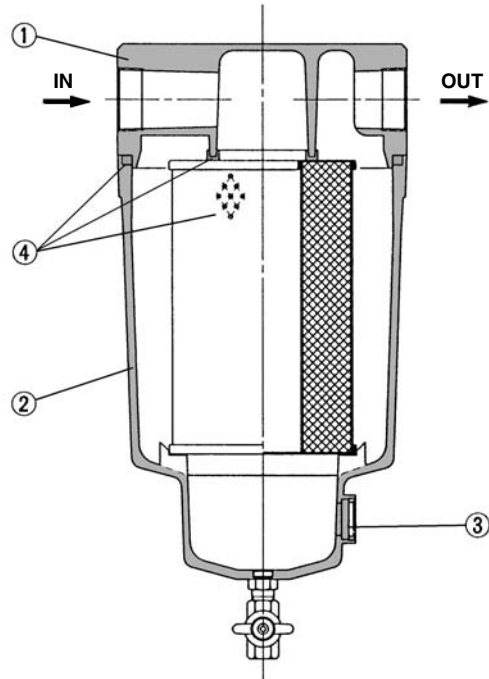


Construction

AMG150C to 550C, AMG650



AMG850



Component Parts

| No. | Description | Material | Note |
|-----|--------------------|----------------------|---|
| 1 | Body | Aluminum die-casted | Chrome treated Epoxy coating on inner surface |
| 2 | Housing | Aluminum die-casted* | |
| 3 | Sight glass | Tempered glass | — |

* The AMG850 is aluminum casted.



Note) Refer to "How to Order Bowl Assembly" on page 63.



Note) Sight glass is indicated in the figure for easy understanding of component parts. However, it differs from the actual construction. Refer to dimensions on pages 7 through to 9 for details.

Replacement Parts

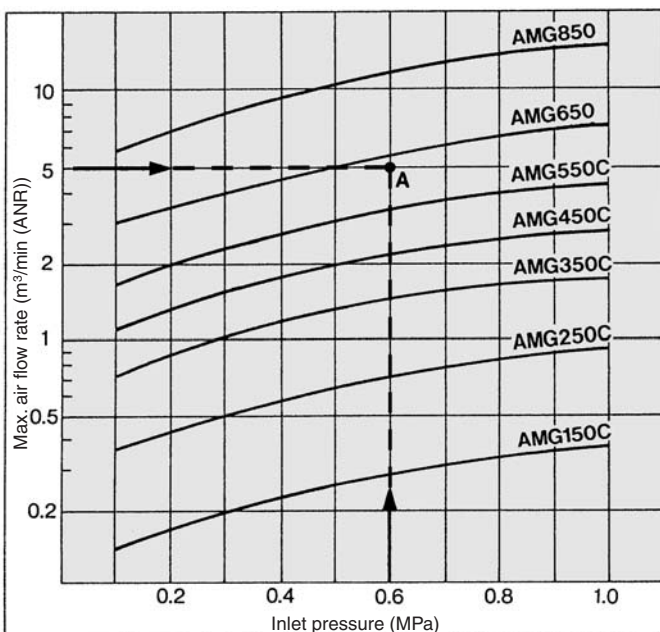
| No. | Description | Material | Applicable model | Model | | | | | | |
|-----|-------------------------|---------------|------------------|-------------|-------------|-------------|-------------|-------------|-----------|-----------|
| | | | | AMG150C | AMG250C | AMG350C | AMG450C | AMG550C | AMG650 | AMG850 |
| 4 | Element assembly | Resin, others | Except option F | AMG-EL150 | AMG-EL250 | AMG-EL350 | AMG-EL450 | AMG-EL550 | AMG-EL650 | AMG-EL850 |
| | | | For option F | AMG-EL150-F | AMG-EL250-F | AMG-EL350-F | AMG-EL450-F | AMG-EL550-F | — | — |

* Element assembly: With gasket (1 pc.) and O-ring (1 pc.)

* Refer to back page 6 for replacement of auto drain.

* Element assemblies for Made to Order (X12, X15, X20, X26) are same as those for standard (see the above table).

Maximum Air Flow



Model Selection

Select a model in accordance with the following procedure taking the inlet pressure and the max. air flow rate into consideration.

(Example) Inlet pressure: 0.6 MPa

Max. air flow rate: 5 m³/min (ANR)

1. Obtain the intersecting point A of inlet pressure and max. air flow rate in the graph.
2. The AMG650 is obtained when the max. flow line is above the intersecting point A in the graph.

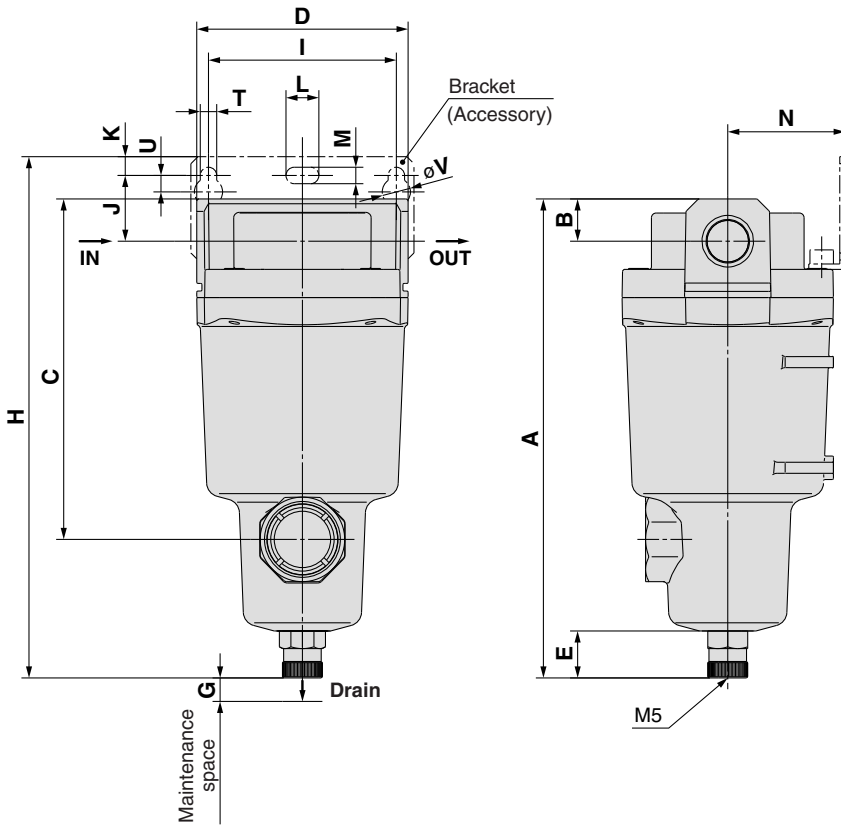
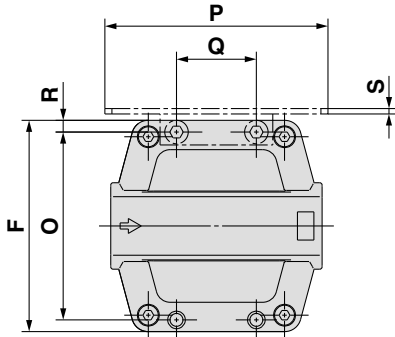


Note) Make sure to select a model that has the max. flow line above the obtained intersecting point. With a model that has the max. flow line below the obtained intersecting point, the flow rate will be exceeded, thus leading to a problem such as being unable to satisfy the specifications.

Series AMG

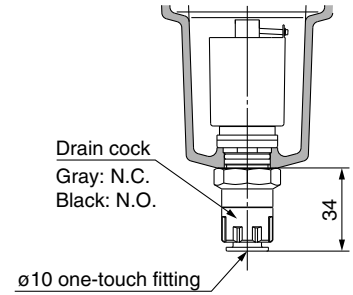
Dimensions

AMG150C to 550C

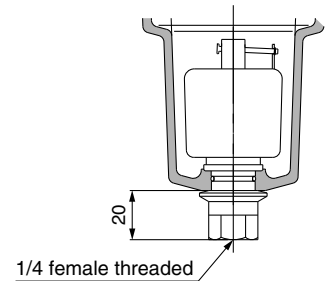


Auto drain

C: With auto drain (N.C.)
D: With auto drain (N.O.)

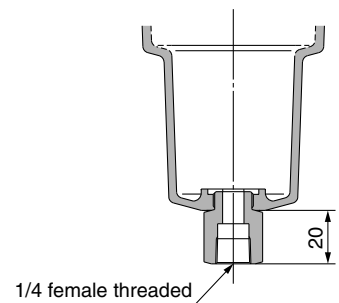


Combination of D: With auto drain (N.O.)
and H: For medium air pressure



Option

J: Drain guide 1/4 female threaded

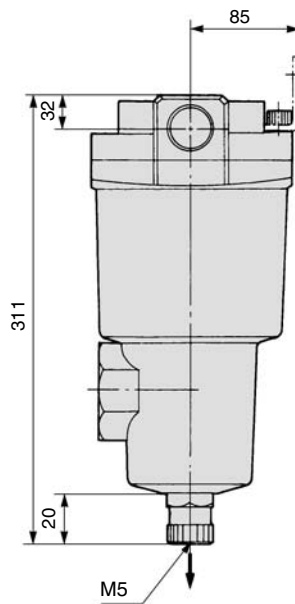
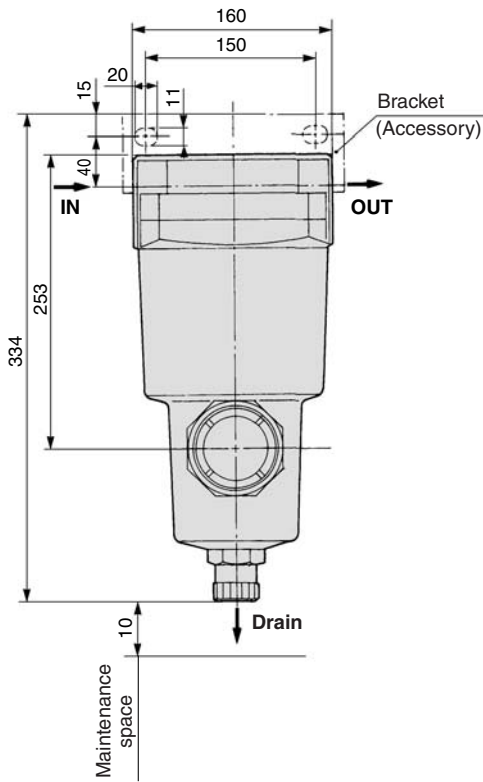
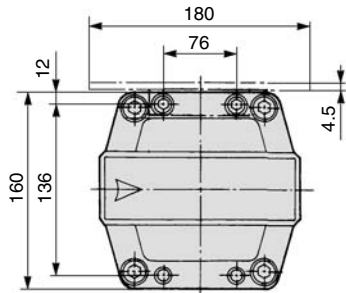


| Model | Port size | A | B | C | D | E | F | G | Bracket related dimensions | | | | | | | | | | | | | | |
|---------|-----------|-----|----|-----|-----|----|-----|----|----------------------------|-----|----|----|---|---|----|---|----|----|-----|-----|----|-----|-----|
| | | | | | | | | | H | I | J | K | T | U | L | M | V | N | O | P | Q | R | S |
| AMG150C | 1/8, 1/4 | 158 | 10 | 99 | 63 | 20 | 63 | 10 | 173 | 56 | 20 | 5 | 6 | 6 | 12 | 6 | 10 | 35 | 54 | 70 | 26 | 4.5 | 1.6 |
| AMG250C | 1/4, 3/8 | 172 | 14 | 113 | 76 | 20 | 76 | 10 | 190 | 66 | 24 | 8 | 6 | 6 | 12 | 6 | 10 | 40 | 66 | 80 | 28 | 5 | 2 |
| AMG350C | 3/8, 1/2 | 204 | 18 | 145 | 90 | 20 | 90 | 10 | 222 | 80 | 28 | 8 | 7 | 7 | 14 | 7 | 12 | 50 | 80 | 95 | 34 | 5 | 2.3 |
| AMG450C | 1/2, 3/4 | 225 | 20 | 166 | 106 | 20 | 106 | 10 | 246 | 90 | 31 | 10 | 9 | 9 | 18 | 9 | 15 | 55 | 88 | 111 | 50 | 9 | 3.2 |
| AMG550C | 3/4, 1 | 259 | 24 | 200 | 122 | 20 | 122 | 15 | 278 | 100 | 33 | 10 | 9 | 9 | 18 | 9 | 15 | 65 | 102 | 126 | 60 | 10 | 3.2 |

(mm)

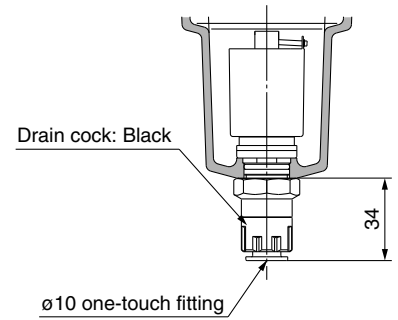
Dimensions

AMG650



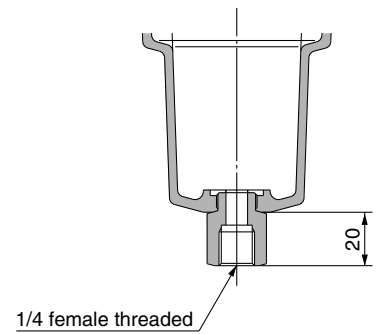
Auto drain

D: With auto drain (N.O.)



Option

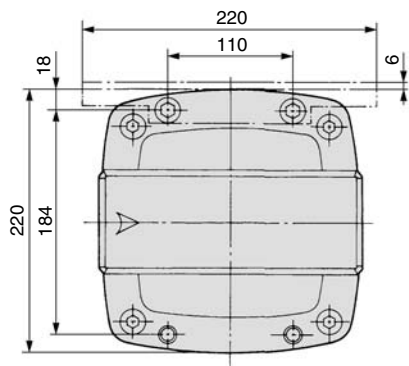
J: Drain guide 1/4 female threaded



Series AMG

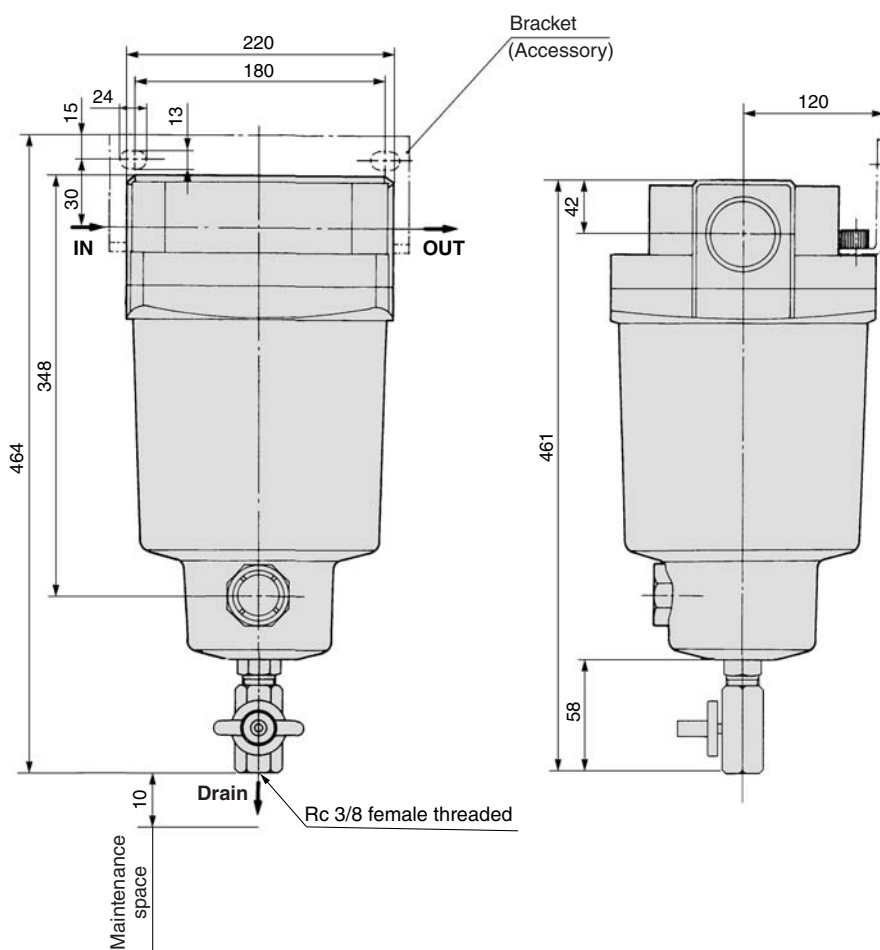
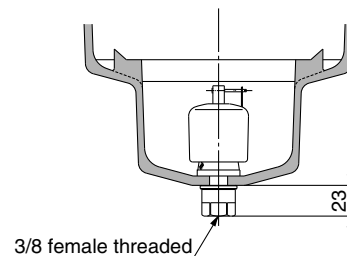
Dimensions

AMG850



Auto drain

D: With auto drain (N.O.)
for AMG850



Series AMF

Spacer for Modular Connection

Select a spacer from those listed below when combining modular type AFF2C to 22C, AM□150C to 550C. The spacer must be ordered separately.

(Note: Spacer with bracket (Y200T to Y600T) cannot be used.)



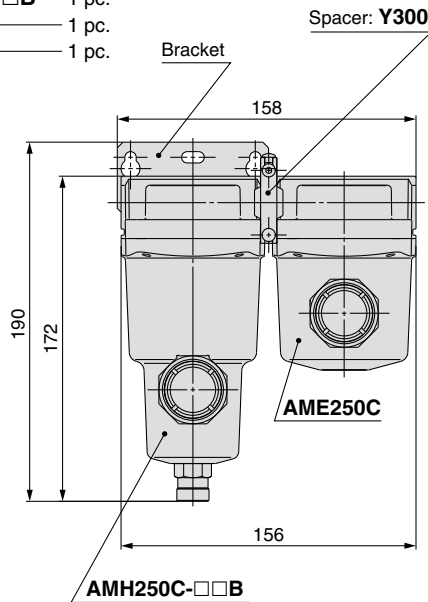
⚠ Caution

- Modular connection
- Mount the attached bracket on one side when connecting 2 sets.
- Mount the attached brackets on both sides when connecting 3 sets or more.
- As a guideline for the number of brackets, one bracket should be mounted for every 2 products.

Combination examples of modular applicable products

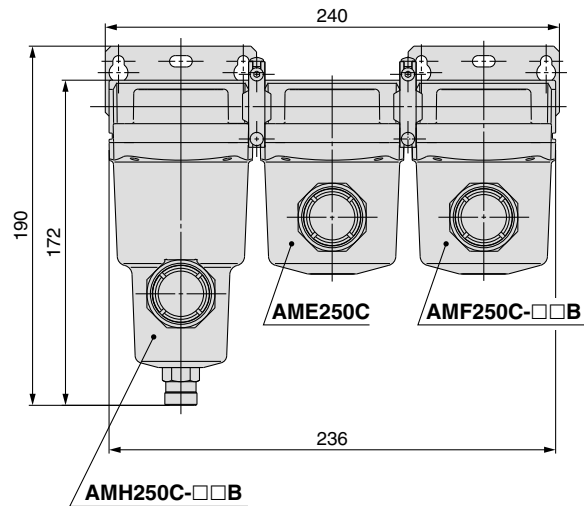
Arrangement example

- AMH250C-□□B — 1 pc.
- AME250C — 1 pc.
- Y300 — 1 pc.

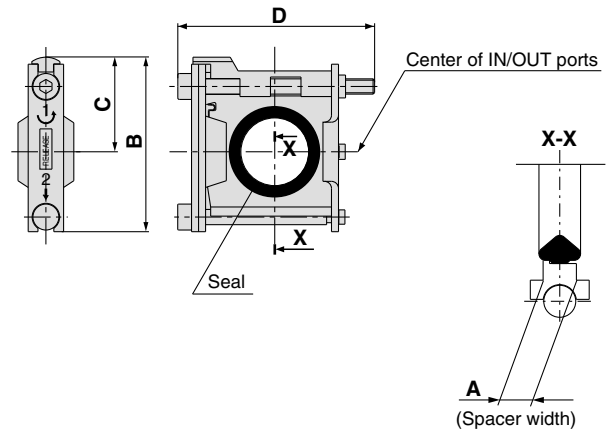
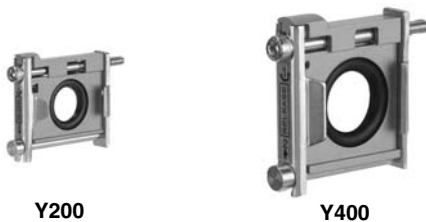


Arrangement example

- AMH250C-□□B — 1 pc.
- AME250C — 1 pc.
- AMF250C-□□B — 1 pc.
- Y300 — 2 pcs.



Spacer

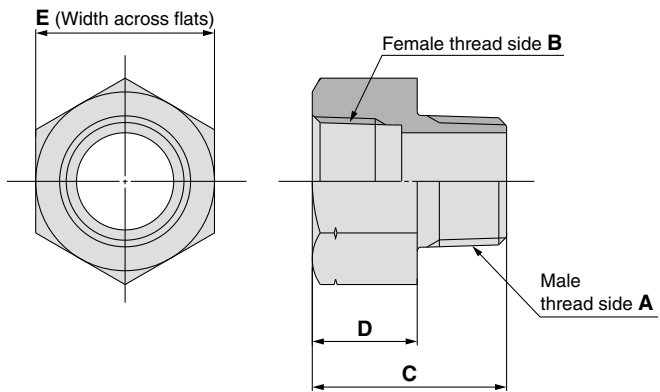


| Model | A | B | C | D | Model |
|-------|---|------|------|----|-----------------|
| Y200 | 3 | 35.5 | 18.5 | 48 | AFF2C, AM□150C |
| Y300 | 4 | 47 | 26 | 59 | AFF4C, AM□250C |
| Y400 | 5 | 57 | 31 | 65 | AFF8C, AM□350C |
| Y500 | 5 | 61 | 33 | 75 | AFF11C, AM□450C |
| Y600 | 6 | 75.5 | 41 | 86 | AFF22C, AM□550C |

Replacement Parts

| Description | Material | Part no. | | | | |
|-------------|----------|------------|------------|------------|------------|------------|
| | | Y200 | Y300 | Y400 | Y500 | Y600 |
| Seal | HNBR | Y200P-061S | Y300P-060S | Y400P-060S | Y500P-060S | Y600P-060S |

Piping Adapter



Dimensions

(mm)

| Part no. | Thread type and port size | | C | D | E | Material |
|------------------|---------------------------|----------------------|----|----|----|----------|
| | Male thread side A | Female thread side B | | | | |
| IDF-AP609 | R 3/8 | NPT 3/8 | 30 | 15 | 22 | Brass |

Bowl Assembly

AFF-CA□/AM□-CA□

Bowl Assembly

Bowl assembly for the AFF and AM□ series can be replaced without removing the main body from piping if the drain exhaust specification is to be changed from the drain cock type to the auto drain type or if the bowl has been damaged.

How to Order Bowl Assembly

■ AFF2C to 22C, AM, AMD, AMH, AMG150C to 550C

AM - CA □ - □ - □ - □

Body size

| |
|------|
| 150C |
| 250C |
| 350C |
| 450C |
| 550C |

Drain exhaust

| Symbol | Description |
|--------|-------------------------------------|
| A | With drain cock |
| C | With N.C. auto drain |
| D | With N.O. auto drain |
| J | With drain guide ^{Note 1)} |

Note 1) Drain piping and piping for a stop valve such as a ball valve are required.

Option

| Symbol | Description |
|--------|-----------------------------------|
| Nil | — |
| F | Rubber material: Fluororubber |
| H | For medium air pressure (1.6 MPa) |
| V | Degreasing wash, white vaseline |

Thread type ^{Note 2)}

| Symbol | Type |
|----------------------|------|
| Nil | Rc |
| F ^{Note 3)} | G |
| N | NPT |

Note 2) Corresponded to the drain exhaust symbol C, D and J. Select according to the body thread type.

Note 3) Not corresponded to the drain exhaust symbol C and D. Select no symbol when the body thread symbol is F.

Applicable Model

| Bowl assembly model | Applicable model |
|---------------------|---|
| AM-CA150C | AFF2C, AM150C, AMD150C, AMH150C, AMG150C |
| AM-CA250C | AFF4C, AM250C, AMD250C, AMH250C, AMG250C |
| AM-CA350C | AFF8C, AM350C, AMD350C, AMH350C, AMG350C |
| AM-CA450C | AFF11C, AM450C, AMD450C, AMH450C, AMG450C |
| AM-CA550C | AFF22C, AM550C, AMD550C, AMH550C, AMG550C |

Auto Drain Specifications/ Option Combinations

⊙ : Available □ : Not available
 △ : Plural options cannot be selected.
 (i.e. Combinations such as C-FV, D-FHV are not possible.)

| Symbol | F | H | V |
|--------|---|---|---|
| A | ⊙ | ⊙ | ⊙ |
| C | △ | □ | △ |
| D | △ | △ | △ |
| J | ⊙ | ⊙ | ⊙ |

■ AFF37B/75B

AFF - CA 37B - □ - □

Body size

| |
|-----|
| 37B |
| 75B |

Drain exhaust

| Symbol | Description |
|--------|-------------------------------------|
| A | With drain cock ^{Note 1)} |
| D | With N.O. auto drain |
| J | With drain guide ^{Note 2)} |

Note 1) Body size 75B is equipped with a ball valve (Rc3/8 female threaded). Mount a piping adapter IDF-AP609 (page 62) to the ball valve if NPT3/8 female threaded is required.

Note 2) Drain piping and piping for a stop valve such as a ball valve are required. For body size 75B, substitute with a ball valve. (symbol: A)

Thread type ^{Note 3)}

| Symbol | Type |
|----------------------|------|
| Nil | Rc |
| F ^{Note 4)} | G |
| N | NPT |

Note 3) Corresponded to the drain exhaust symbol D and J. Select according to the body thread type.

Note 4) Not corresponded to the drain exhaust symbol C and D. Select no symbol when the body thread symbol is F.

How to Order Bowl Assembly

■ AM, AMD, AMH, AMG Series

AM - CA 650 - □ □
AMD
AMH
AMG

Body size

| |
|-----|
| 650 |
| 850 |

Thread type Note 3)

| Symbol | Type |
|--------|------|
| Nil | Rc |
| F | G |
| N | NPT |

Note 3) Corresponded to the drain exhaust symbol D and J. Select according to the body thread type.

Drain exhaust

| Symbol | Description |
|--------|---|
| A | With drain cock <small>Note 1)</small> |
| D | With N.O. auto drain |
| J | With drain guide <small>Note 2)</small> |

Note 1) Body size 850 is equipped with a ball valve (Rc3/8 female threaded). Mount a piping adapter IDF-AP609 (page 62) to the ball valve if NPT3/8 female threaded is required.

Note 2) Drain piping and piping for a stop valve such as a ball valve are required.
 For body size 850, substitute with a ball valve. (symbol: A)

■ AME, AMF150C to 550C

AME - CA □ - **A** - □

Body size

| |
|------|
| 150C |
| 250C |
| 350C |
| 450C |
| 550C |

Option Note)

| Symbol | Description |
|--------|-----------------------------------|
| Nil | — |
| F | Rubber material: Fluororubber |
| H | For medium air pressure (1.6 MPa) |
| V | Degreasing wash, white vaseline |

Note) Combination of FH is not available.

Applicable Model

| Bowl assembly model | Applicable model |
|---------------------|------------------|
| AME-CA150C | AME150C, AMF150C |
| AME-CA250C | AME250C, AMF250C |
| AME-CA350C | AME350C, AMF350C |
| AME-CA450C | AME450C, AMF450C |
| AME-CA550C | AME550C, AMF550C |

■ AME, AMF650/850

AME - CA 650 - A
AMF

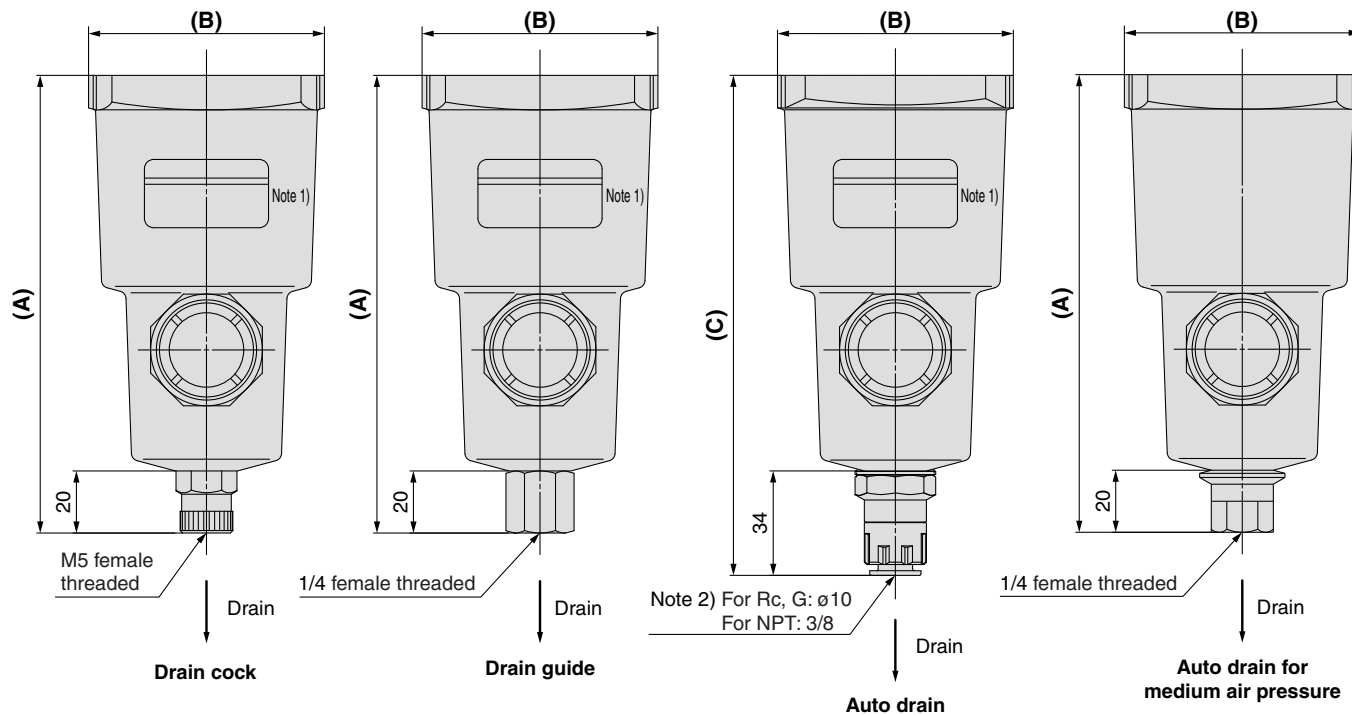
Body size

| |
|-----|
| 650 |
| 850 |

AFF-CA□/AM□-CA□

Dimensions: AFF, AM, AMD, AMH, AMG Series

Size: AFF2C to 22C, AFF37B, AM□150C to 550C, AM□650



| AFF series | AM, AMD, AMG, AMH series | (mm) | | |
|------------|--------------------------|------|-----|-----|
| Size | Size | A | B | C |
| 2C | 150C | 134 | 63 | 148 |
| 4C | 250C | 139 | 76 | 153 |
| 8C | 350C | 162 | 90 | 176 |
| 11C | 450C | 178 | 106 | 192 |
| 22C | 550C | 202 | 122 | 216 |
| 37B | 650 | 245 | 160 | 259 |

Note 1) Model no. labels are not affixed to the AM-CA150C to 550C.

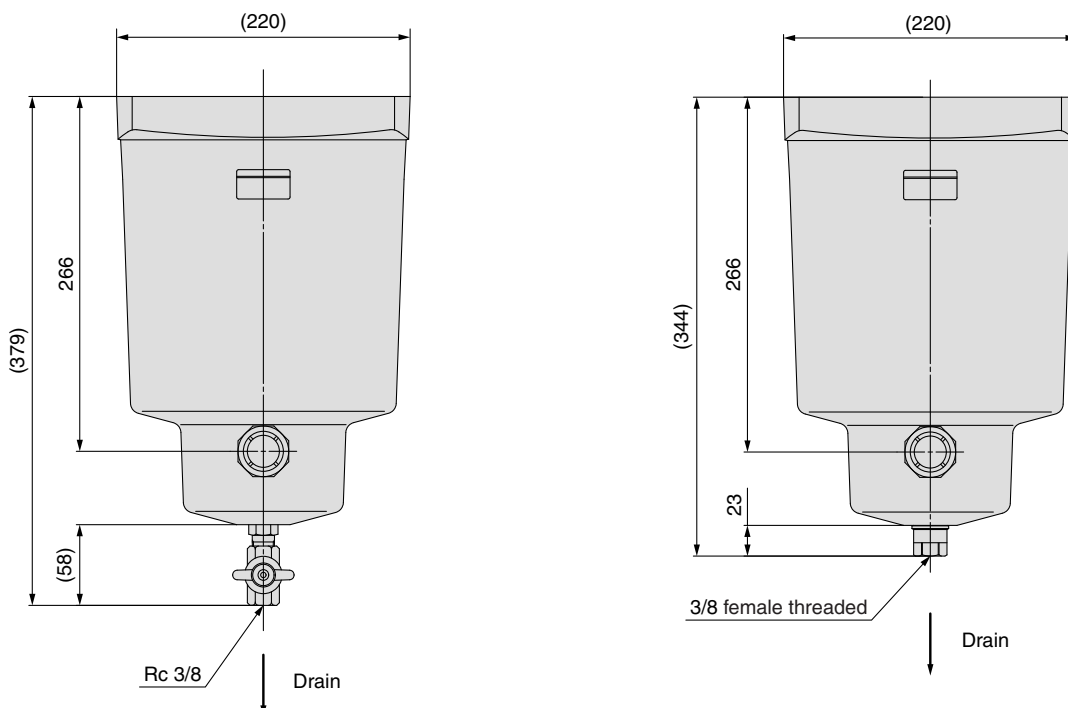
Note 2) Select according to the body thread type.

Applicable tubing size for one-touch fitting

Rc, G: ø10

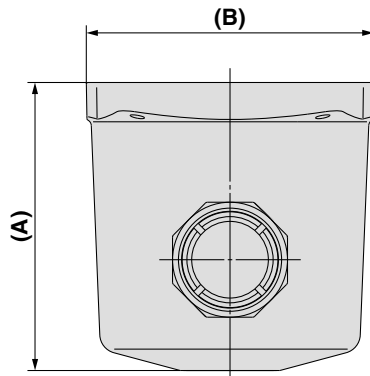
NPT: ø3/8 inch

Size: AFF75B, AM□850



Dimensions: AME, AMF Series

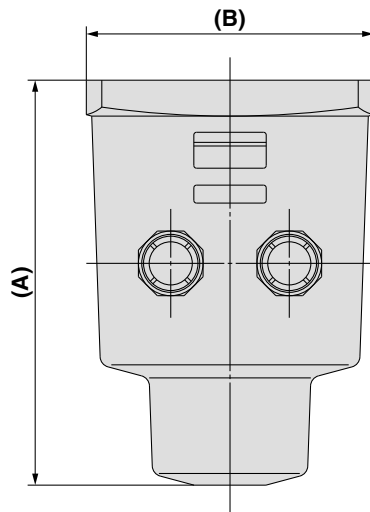
■ AME150C to 550C, AMF150C to 550C



(mm)

| AME, AMF series Size | A | B |
|-------------------------|-----|-----|
| 150 | 60 | 63 |
| 250 | 70 | 76 |
| 350 | 90 | 90 |
| 450 | 104 | 106 |
| 550 | 130 | 122 |

■ AME650/850, AMF650/850



(mm)

| AME, AMF series Size | A | B |
|-------------------------|-----|-----|
| 650 | 225 | 160 |
| 850 | 319 | 120 |

Compressed Air Cleaning Filter Series

Made to Order/Special Specifications



Please consult with SMC for detailed specifications, size and delivery.

Made to Order

| Contents | Symbol | Applicable model | | | | | | | Reference page |
|--|--------|------------------|----|-----|-----|-----|-----|-----|----------------|
| | | AFF | AM | AMD | AME | AMF | AMG | AMH | |
| 1. With Differential Pressure Gauge (GD40-2-01) | X6 | ● | ● | ● | — | — | — | ● | P.68 |
| 2. With Differential Pressure Switch (With Indicator) | X37 | ● | ● | ● | — | — | — | ● | |
| 3. With IN-OUT Flange | X15 | ● | ● | ● | — | — | ● | ● | P.69 |
| 4. With Pressure Differential Gauge (GD40-2-01), IN-OUT Flange | X17 | ● | ● | ● | — | — | — | ● | |
| 5. N.C., N.O. Auto Drain, Drain Piping Type | X26 | ● | ● | ● | — | — | ● | ● | P.70 |
| 6. White Vaseline Specifications | X12 | ● | ● | ● | ● | ● | ● | ● | |
| 7. Mist Separator for High Flow Rate (0.3 μm) | X13 | ● | — | — | — | — | — | — | P.71 |

Special Specifications

| Contents | Applicable model | | | | | | | Reference page |
|--|------------------|----|-----|-----|-----|-----|-----|----------------|
| | AFF | AM | AMD | AME | AMF | AMG | AMH | |
| Clean Series (10-Series) | ● | ● | ● | ● | ● | — | ● | P.72 |
| Copper-free, Fluorine-free (20-Series) | ● | ● | — | — | — | ● | — | |

Compressed Air Cleaning Filter Series

Made to Order 2



Please consult with SMC for detailed specifications, size and delivery.

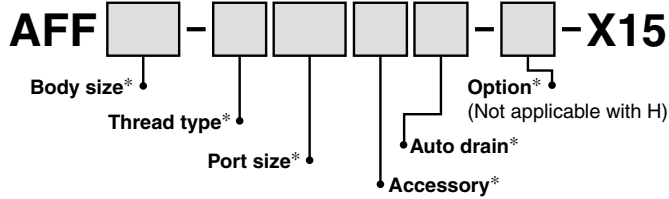
3. With IN-OUT Flange

Makes flange piping easier when filter ports on IN and OUT are flange connection. (Flange material: Carbon steel)

Specifications

| | |
|------------------|------------------------------|
| Applicable model | AFF11C, 22C, 37B, 75B |
|------------------|------------------------------|

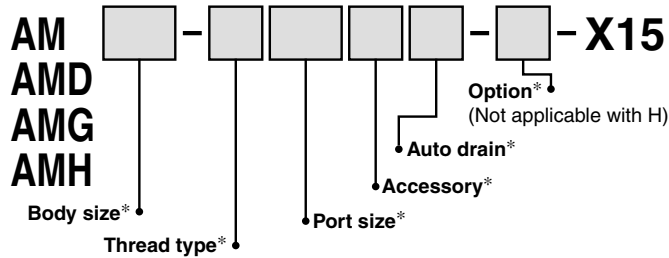
How to Order * Refer to "How to Order" for standard specifications.



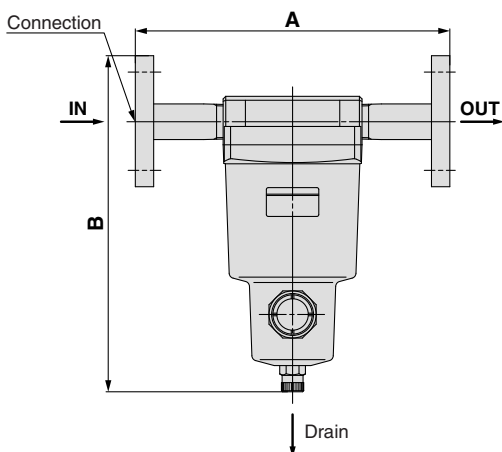
Specifications

| | |
|------------------|--|
| Applicable model | AM450C, 550C, 650, 850, AMD450C, 550C, 650, 850, AMH450C, 550C, 650, 850, AMG450C, 550C, 650, 850 |
|------------------|--|

How to Order * Refer to "How to Order" for standard specifications.



Dimensions



| AFF series Size | AM, AMD, AMG, AMH series Size | Connection | (mm) | |
|-----------------|-------------------------------|---|------|-----|
| | | | A | B |
| 11C | 450C | 15(1/2B), 20(3/4B), 25(1B) JIS 10K FF flange | 240 | 255 |
| 22C | 550C | 20(3/4B), 25(1B) JIS 10K FF flange | 260 | 297 |
| 37B | 650 | 25(1B), 40(1 1/2B) JIS 10K FF flange | 300 | 349 |
| 75B | 850 | 40(1 1/2B), 50(2B) JIS 10K FF flange | 380 | 497 |

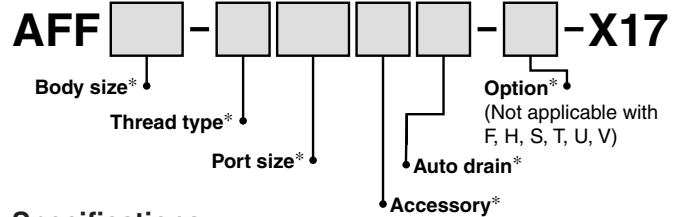
4. With Differential Pressure Gauge (GD40-2-01), IN-OUT Flange

The differential pressure gauge is mounted on the main body to monitor the life of a filter by checking its clogging status. Ports on IN and OUT are flange connection type. (Flange material: Carbon steel)

Specifications

| | |
|------------------|------------------------------|
| Applicable model | AFF11C, 22C, 37B, 75B |
|------------------|------------------------------|

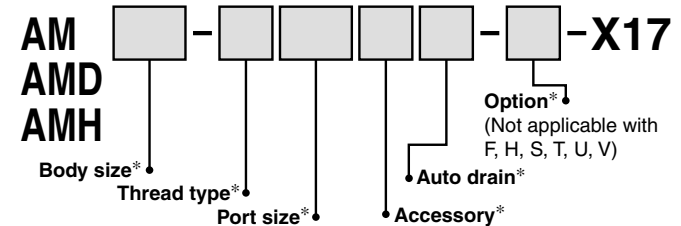
How to Order * Refer to "How to Order" for standard specifications.



Specifications

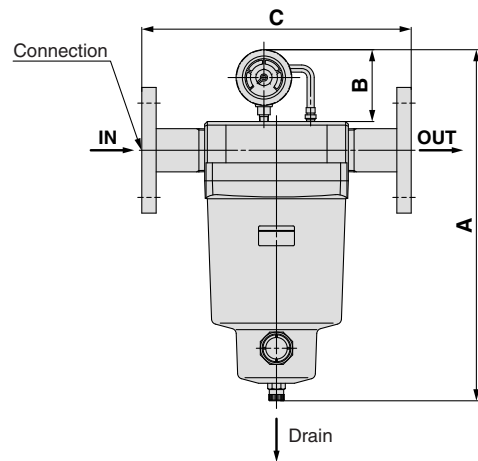
| | |
|------------------|---|
| Applicable model | AM450C, 550C, 650, 850, AMD450C, 550C, 650, 850, AMH450C, 550C, 650, 850 |
|------------------|---|

How to Order * Refer to "How to Order" for standard specifications.



Note) • The AMG series is not applicable since water drops could ingress inside its differential pressure gauge, resulting in malfunction or damage to the product.

Dimensions



| AFF series Size | AM, AMD, AMH series Size | Connection | (mm) | | |
|-----------------|--------------------------|---|------|----|-----|
| | | | A | B | C |
| 11C | 450C | 15(1/2B), 20(3/4B), 25(1B) JIS 10K FF flange | 305 | 80 | 240 |
| 22C | 550C | 20(3/4B), 25(1B) JIS 10K FF flange | 339 | | 260 |
| 37B | 650 | 25(1B), 40(1 1/2B) JIS 10K FF flange | 391 | | 300 |
| 75B | 850 | 40(1 1/2B), 50(2B) JIS 10K FF flange | 541 | | 380 |

Compressed Air Cleaning Filter Series

Made to Order 3



Please consult with SMC for detailed specifications, size and delivery.

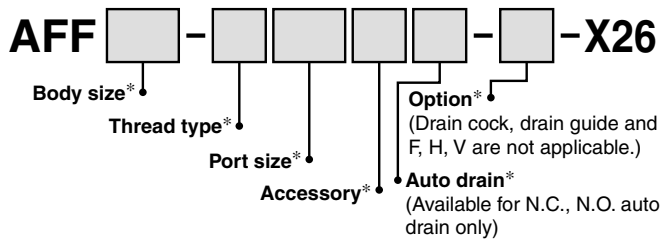
5. N.C., N.O. Auto Drain, Drain Piping Type

Drain piping type (drain guide specification) to the drain exhaust from N.C. auto drain and N.O. auto drain. N.C. type is not available for the AFF37B and AM□650.

Specifications

| | |
|------------------|--------------------------|
| Applicable model | AFF2C to 22C, 37B |
|------------------|--------------------------|

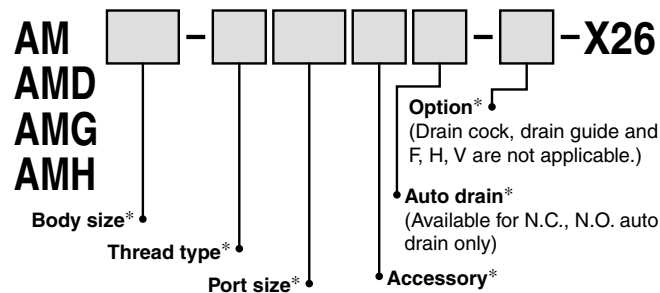
How to Order * Refer to "How to Order" for standard specifications.



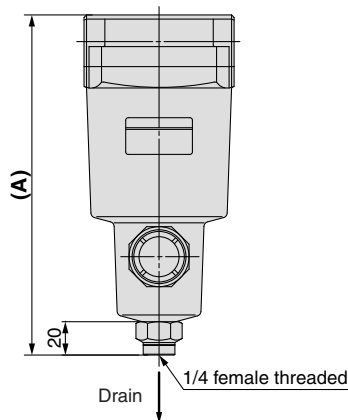
Specifications

| | |
|------------------|----------------------|
| Applicable model | AM□150 to 650 |
|------------------|----------------------|

How to Order * Refer to "How to Order" for standard specifications.



Dimensions



(mm)

| AFF series | AM, AMD, AMG, AMH series | Port size | A |
|------------|--------------------------|-----------|-----|
| Size | Size | | |
| 2C | 150C | 1/8, 1/4 | 159 |
| 4C | 250C | 1/4, 3/8 | 172 |
| 8C | 350C | 3/8, 1/2 | 204 |
| 11C | 450C | 1/2, 3/4 | 225 |
| 22C | 550C | 3/4, 1 | 259 |
| 37B | 650 | 1, 1 1/2 | 311 |

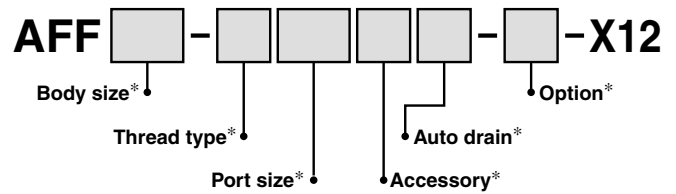
6. White Vaseline Specifications

Changed the grease for O-rings and gaskets as lubricant to white vaseline.

Specifications

| | |
|------------------|--------------------|
| Applicable model | AFF37B, 75B |
|------------------|--------------------|

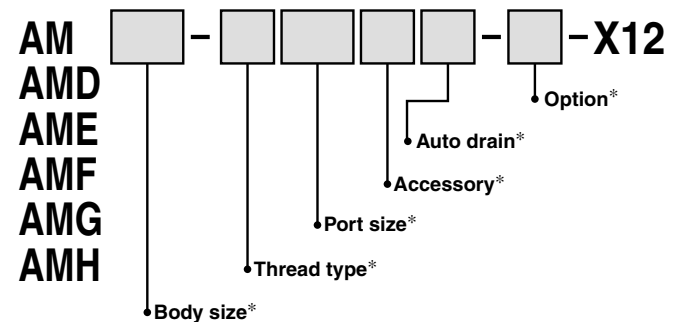
How to Order * Refer to "How to Order" for standard specifications.



Specifications

| | |
|------------------|--|
| Applicable model | AM650, 850, AMD650, 850, AME650, 850, AMF650, 850, AMG650, 850, AMH650, 850 |
|------------------|--|

How to Order * Refer to "How to Order" for standard specifications.



Compressed Air Cleaning Filter Series

Special Specifications


Please consult with SMC for detailed specifications, size and delivery.

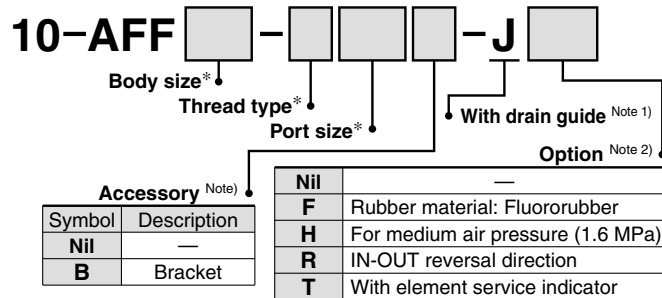
Clean Series (10-Series)

Clean Series products are used in cleaner environments such as in clean rooms as compared to a general factory environment. For further details, refer to the Clean Series catalog.

Specifications

| | |
|------------------|-------------------------------|
| Applicable model | AFF2C to 22C, 37B, 75B |
|------------------|-------------------------------|

How to Order  * Refer to "How to Order" for standard specifications.

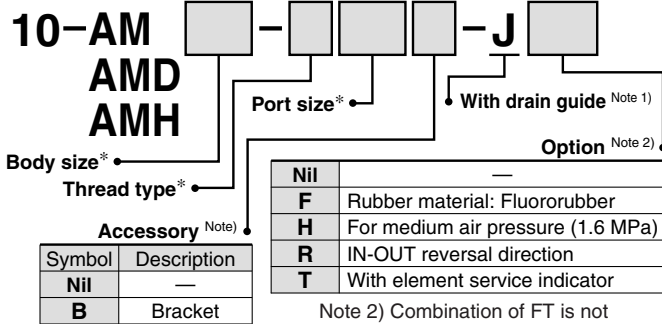


Note 1) "10-" is not applicable to standard product (with drain cock) and with auto drain.

Note 2) Combination of FT is not available.
F and H are only applicable to the AFF2C to 22C.

Specifications

| | |
|------------------|---|
| Applicable model | AM150C to 550C, 650, 850, AMD150C to 550C, 650, 850, AMH150C to 550C, 650, 850 |
|------------------|---|

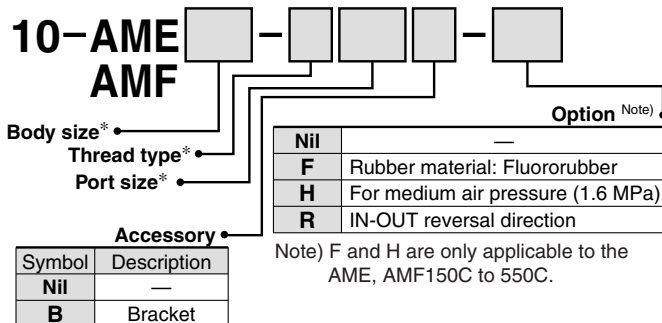


Note 1) "10-" is not applicable to standard product (with drain cock) and with auto drain.

Note 2) Combination of FT is not available.
F and H are only applicable to the AM□150C to 550C.

Specifications

| | |
|------------------|---|
| Applicable model | AME150C to 550C, 650, 850, AMF150C to 550C, 650, 850 |
|------------------|---|




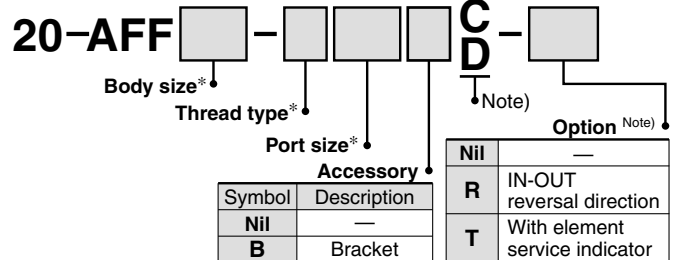
Copper-free, Fluorine-free (20-Series)

To eliminate effects on color CRTs, etc. by copper ion or fluorine resin, copper materials are electroless-nickel plated or changed to copper-free materials to prevent the generation of copper ions. (It is not applicable to the AMD, AME, AMF and AMH series because those include fluorine resin in the filter material of the element.)

Specifications

| | |
|------------------|--------------------------|
| Applicable model | AFF2C to 22C, 37B |
|------------------|--------------------------|

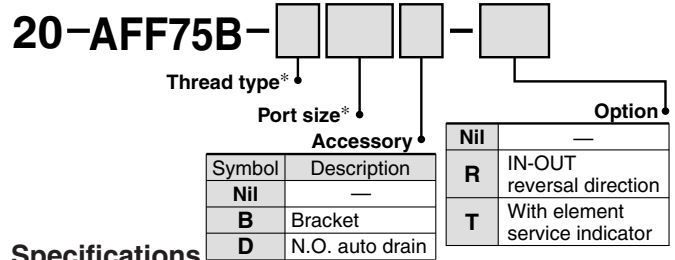
How to Order  * Refer to "How to Order" for standard specifications.



Note) "20-" is only applicable with N.C. auto drain (C) or N.O. auto drain (D). Drain cock and drain guide are copper-free, fluorine-free as standard.

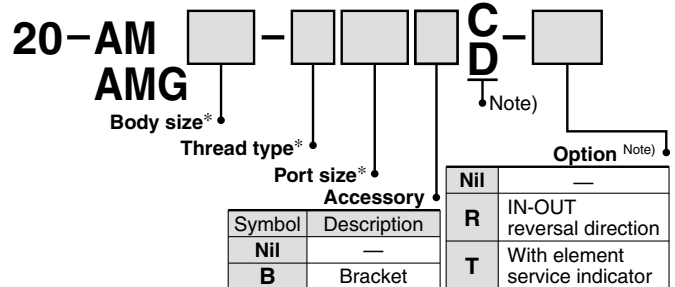
Specifications

| | |
|------------------|---------------|
| Applicable model | AFF75B |
|------------------|---------------|



Specifications

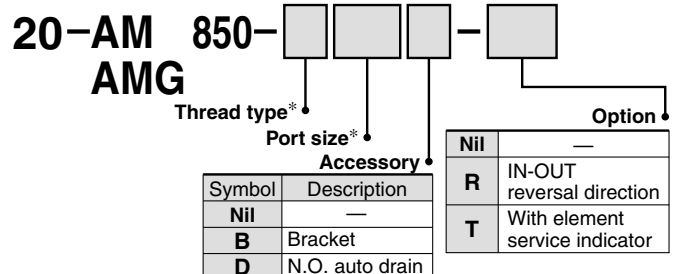
| | |
|------------------|--|
| Applicable model | AM150C to 550C, 650, AMG150C to 550C, 650 |
|------------------|--|



Note) "20-" is only applicable with N.C. auto drain (C) or N.O. auto drain (D). Drain cock and drain guide are copper-free, fluorine-free as standard.

Specifications

| | |
|------------------|----------------------|
| Applicable model | AM850, AMG850 |
|------------------|----------------------|



Related Products: Auto Drain Valve

Series AD402/600

Drain is automatically discharged in a reliable manner, without requiring human operators.

Highly resistant to dust and corrosion, operates reliably, and a bowl guard is provided as standard equipment.

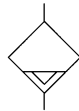


AD402



AD600

JIS Symbol



Model/Specifications

| Model | AD402 | AD600 |
|---|--------------------------|--------------------------|
| Proof pressure | 1.5 MPa | 1.5 MPa |
| Max. operating pressure | 1.0 MPa | 1.0 MPa |
| Operating pressure range ^{Note)} | 0.1 to 1.0 MPa | 0.3 to 1.0 MPa |
| Ambient and fluid temperature | -5 to 60°C (No freezing) | -5 to 60°C (No freezing) |
| Port size | 1/4, 3/8, 1/2 | 3/4, 1 |
| Drain port size | 3/8 | 3/4, 1 |
| Mass (g) | 620 | 2100 |

Note) 400 ℓ/min (ANR) or more

⚠ Specific Product Precautions

Be sure to read this before handling.

Refer to back pages 1 and 2 for Safety Instructions, "Precautions for Handling Pneumatic Devices" (M-03-E3A) for Common Precautions.

Selection

⚠ Warning

Use the auto drain under the following operating conditions in order to prevent malfunction.

- 1) Operate the compressor above 3.7 kw {400 ℓ/min (ANR)}.
- 2) Use the AD402 at an operating pressure above 0.1 MPa and AD600 above 0.3 MPa.

Piping

⚠ Warning

Piping should be done under the following conditions in order to prevent malfunction.

For drain piping, use a pipe whose I.D. is not less than ø10 and length not more than 5 m. Avoid riser piping.

How to Order

AD402 - [] 03 - []

Thread type

| | |
|-----|-----|
| Nil | Rc |
| N | NPT |
| F | G |

Port size

| Symbol | IN | OUT |
|--------|-----|-----|
| 02 | 1/4 | 3/8 |
| 03 | 3/8 | 3/8 |
| 04 | 1/2 | 3/8 |

Option

| | |
|-----|------------|
| Nil | — |
| 2 | Metal bowl |

AD600 - [] 06

Thread type

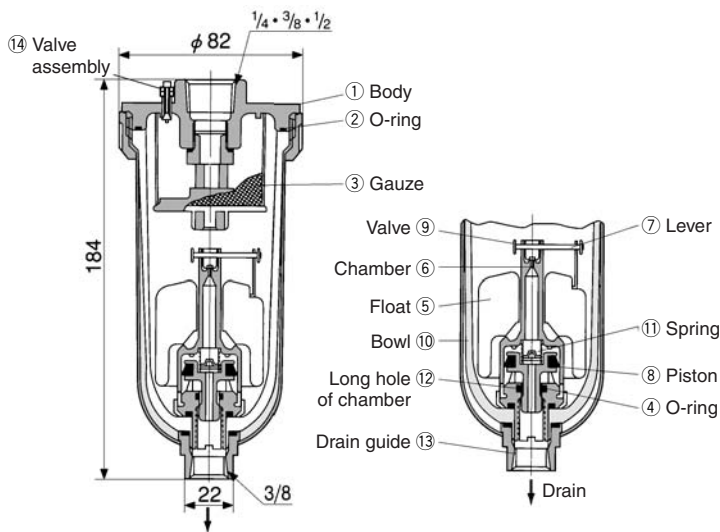
| | |
|-----|-----|
| Nil | Rc |
| N | NPT |
| F | G |

Port size

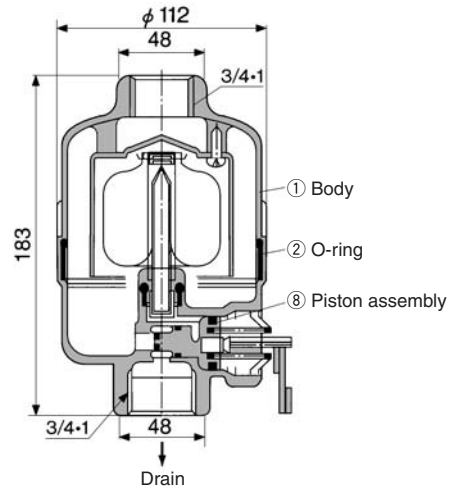
| Symbol | IN | OUT |
|--------|-----|-----|
| 06 | 3/4 | 3/4 |
| 10 | 1 | 1 |

Construction/Dimensions

AD402



AD600



Working Principle (AD402)

- When no pressure is applied inside the bowl ⑩, float ⑤ descends of its own weight and valve ⑨ closes the chamber ⑥ hole. Piston ⑧ is pushed down by spring ⑪, and drain passes through the chamber's long hole ⑫ to enter the housing and is discharged.
- When pressure is applied inside the bowl:
When pressure is 0.1 MPa or more, it overcomes the force of spring ⑪, allowing the piston ⑧ to ascend, and comes in contact with O-ring ④. Thus, the inside of the bowl ⑩ is isolated from the outside.
- When drain has accumulated:
Float ⑤ ascends due to flotation and opens the chamber hole ⑥, allowing the pressure to enter the chamber ⑥. Piston ⑧ descends due to internal pressure and the force of spring ⑪, and the accumulated drain is discharged through drain guide ⑬.

Component Parts

| No. | Description | Material |
|-----|-------------|---------------------|
| 1 | Body | Aluminum die-casted |

Replacement Parts

| No. | Description | Material | Model | |
|---------|-------------------|-----------------|--------|----------------|
| | | | AD402 | AD600 |
| 2 | O-ring | NBR | 113136 | JIS B2401G-100 |
| 3 | Gauze | Stainless steel | 20062 | — |
| Note 1) | Internal assembly | — | AD34PA | — |
| 8 | Piston assembly | — | — | 20025A |

Note 1) Internal assembly: Assembly for parts ④ to ⑫ except ⑩.

Note 2) Part no. for bowl assembly: AD34

Note 3) Part no. for bowl ⑩: 201016

Related Products: Motor Operated Auto Drain Series ADM200

Reliably discharges even highly viscous drain

- Highly resistant to dust and highly viscous drain, the valve opens and closes reliably to discharge the drain.

High drain discharge capacity

- With a large discharge port, a large amount of drain can be discharged in a single operation.
- Elimination of residual drain inside the tank and pipes prevents the generation of foreign matter such as dried rust or drain, which could adversely affect the equipment located on the outlet side.

Low power consumption: 4 W

- A long pipe can also be connected to the discharge port.
- Can be connected directly to a compressor.



Model/Specifications

| Model | ADM200-□□-□ |
|-------------------------------|---|
| Fluid | Air |
| Max. operating pressure | 1.0 MPa |
| Proof pressure | 1.5 MPa |
| Ambient and fluid temperature | -5 to 60°C (No freezing) |
| Operating cycle* | 1 time in a minute (Standard) |
| Operating time | 2 sec./time (Standard) |
| Power source | 100, 200 VAC ^{50/60} Hz, Other |
| Power consumption | 4 W |
| Port size | IN: 3/8, 1/2 |
| | OUT: 3/8 |
| Mass | 550 g |

* If the operating cycle is twice in a minute (operating time 2 sec. x 2) operating time is 4 sec. each minute.

⚠ Specific Product Precautions

Be sure to read before handling.

Refer to back pages 1 and 2 for Safety Instructions, "Precautions for Handling Pneumatic Devices" (M-03-E3A) for Common Precautions.

Mounting

⚠ Warning

1. Install this product after discharging the drainage that has already accumulated in the tank. Otherwise, it could lead to malfunction.
2. Install this product, so that the drain port could face downwards. Otherwise, it could lead to malfunction.

⚠ Caution

Provide a stop valve before the ADM200 to facilitate maintenance and inspection.

Piping

⚠ Warning

Piping should be done under the following conditions in order to prevent malfunction. For drain piping, use a pipe whose I.D. is not less than $\phi 5$ and length not more than 5 m. Avoid riser piping.

Maintenance

⚠ Caution

If the valve becomes clogged with debris, press the manual button to flush out the debris. Otherwise, it could lead to malfunction.

How to Order

ADM200 - □ 03 1 - □

Thread type

| | |
|-----|-----|
| Nil | Rc |
| N | NPT |
| F | G |

Port size

| Symbol | IN | OUT |
|--------|-----|-----|
| 03 | 3/8 | 3/8 |
| 04 | 1/2 | 3/8 |

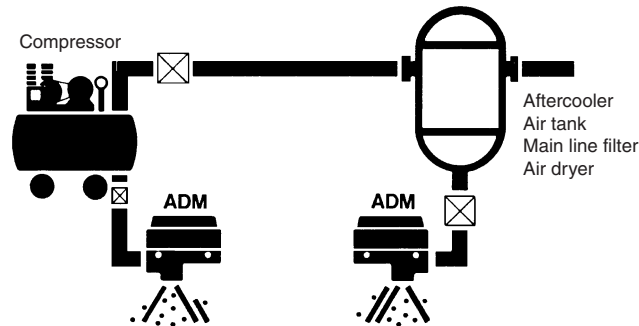
Operating time/Applicable compressor

| | |
|-----|--|
| Nil | 2 sec/min (1 time/min) /3.7 to 37 kW |
| 4 | 4 sec/min (2 times/min) /37 to 75 kW |
| 6 | 6 sec/min (3 times/min) /75 to 110 kW |
| 8 | 8 sec/min (4 times/min) /220 to 370 kW |

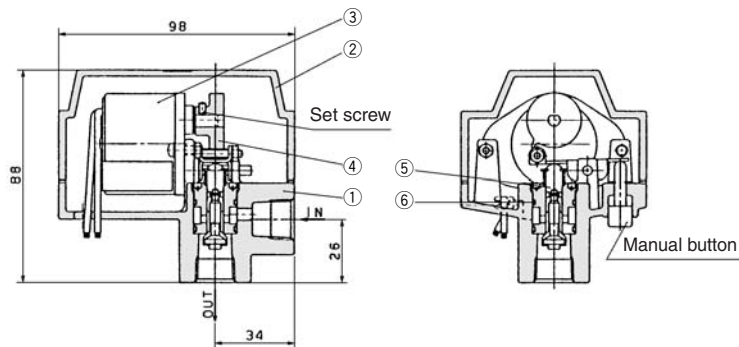
Voltage

| | |
|---|-----------------------------|
| 1 | 100 VAC ^{50/60} Hz |
| 2 | 200 VAC ^{50/60} Hz |
| 3 | 240 VAC ^{50/60} Hz |
| 4 | 110 VAC ^{50/60} Hz |
| 5 | 220 VAC ^{50/60} Hz |
| 6 | 24 VDC |
| 7 | 12 VDC |

Mounting Example



Construction/Dimensions



Component Parts

| No. | Description | Material | Note |
|-----|-------------|---------------------|----------------|
| 1 | Body | Aluminum die-casted | Chrome treated |
| 2 | Cap | Aluminum die-casted | Chrome treated |

Replacement Parts

| No. | Description | Material | Part no. |
|--------------------|-----------------------|------------|--|
| 3 ^{Note)} | Motor | — | 812PG-voltage |
| 4 | Cam | Cast steel | Operating time 201324 (Nil) 201325 (4) 201326 (6) 201327 (8) |
| 5 | Valve assembly | Brass, NBR | 20137-1A |
| 6 | O-ring | NBR | S-16 |

Note) Motor part no. in the case of 100 VAC: 812PG-AC100V

Related Products: Heavy Duty Auto Drain Series **ADH4000**

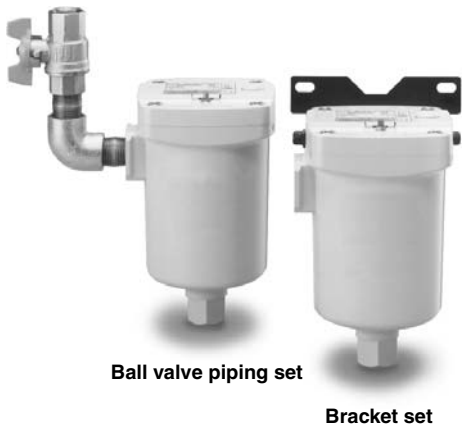
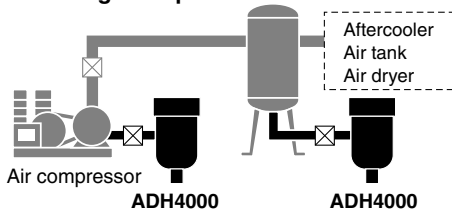
Easy maintenance

Can maintain without removing the existing piping.

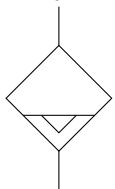
No need for electric power and no waste of air.

Float type auto drain allows automatic drain discharge without electric power.

Mounting example



JIS Symbol



Specifications

| | |
|---|--|
| Auto drain type | Float type |
| Auto drain valve type | N.O. (Normally open: Open in the case of pressure loss) |
| Proof pressure | 2.5 MPa |
| Max. operating pressure | 1.6 MPa |
| Operating pressure range ^{Note)} | 0.05 to 1.6 MPa |
| Fluid | Compressed air |
| Ambient and fluid temperature | 5 to 60°C (With no condensation) <Corrosive gas, flammable gas and organic solvents are not allowed.> |
| Max. drain discharge | 400 cc/min (Pressure 0.7 MPa, in the case of water) |
| Mass | 1.2 kg (With bracket: 1.3 kg) |
| Paint color | White |



Note) Use for an air compressor with flow more than 50 ℓ/min (ANR).

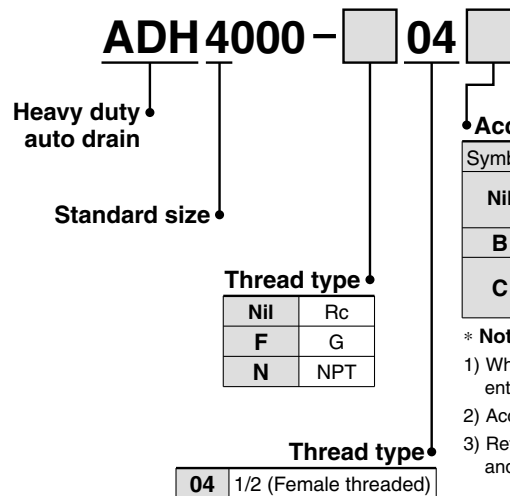
Accessory (Option)

| Description | Part no. | Contents |
|-----------------------|----------|---|
| Bracket set | BM58 | Bracket 1 pc. M6 x 10 ℓ (Hexagon socket head cap screw) ... 2 pcs. |
| Ball valve piping set | ADH-C400 | Ball valve/Rc 1/2 1 pc. Barrel nipple/R 1/2 2 pcs. Elbow/Rc 1/2 1 pc. |



Note) Accessory (Option) is included, but not assembled.

How to Order



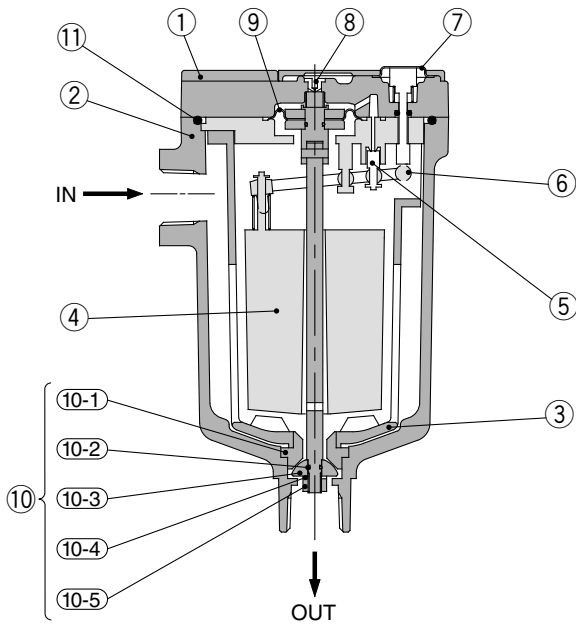
• Accessory (Option)*

| Symbol | Contents | Note |
|--------|-----------------------|----------------------------------|
| Nil | None (Standard) | — |
| B | Bracket set | — |
| C | Ball valve piping set | Not available for G/NPT threads. |

* Notes

- 1) When more than one option is desired, enter in alphabetical order.
- 2) Accessory is not assembled.
- 3) Refer to each drawing of dimensions and mounting methods for details.

Construction



Component Parts

| No. | Description | Material | Note |
|-----|-----------------|--------------------------|---------------|
| 1 | Body | Aluminum alloy | Baking finish |
| 2 | Housing | Aluminum alloy | Baking finish |
| 3 | Drain guard | Aluminum alloy | Baking finish |
| 4 | Float | Foam rubber | |
| 5 | Pilot valve | Stainless steel + Rubber | |
| 6 | Lever | Resin | |
| 7 | Flushing button | Brass | |
| 8 | Orifice | | |
| 9 | Diaphragm | Rubber | |

Replacement Parts

| No. | Description | Part no. | Note |
|-----|---------------------------|----------|--|
| 10 | Repair kit for main valve | ADH-D400 | Kit includes parts from (10-1) to (10-5) |
| 11 | O-ring | G85(B) | Material: NBR |

Note) When changing parts, follow the operating manual.
Do not disassemble other parts.

⚠ Specific Product Precautions

Be sure to read this before handling. Refer to back pages 1 and 2 for Safety Instructions, "Precautions for Handling Pneumatic Devices" (M-03-E3A) for Common Precautions.

Design

⚠ Caution

- Use this product in an area where the air pressure does not exceed 1.6 MPa.
If exceeding 1.6 MPa, it could lead to an accident or malfunction.
- An air pressure of 0.05 MPa and an air compressor's discharge flow rates higher than 50 ℓ/min (ANR) are required.
Below these values, the air will be exhausted continuously from the drain exhaust port.
- Keep the compressed air and the ambient temperature of the location where this product is installed within the range of 5 to 60°C. Exceeding this range could lead to a failure or malfunction.
- Avoid using this product in an area where corrosive gases, flammable gases or organic solvents are contained in the compressed air or in the surrounding air.

Selection

⚠ Caution

- The maximum dischargeable drainage rate is 400 cc/min.
If using this product in excess of this value, there could be causing the drain to flow over to the outlet side.

Piping

⚠ Caution

- Use piping of 1/2^B or larger for drain inlet and avoid riser piping.
- For drain piping, use a pipe whose I.D. is not less than 8 mm and length not more than 10 m. Do not make any upward angles in drain line. Be sure to secure exhaust port piping since drain is under pressure.

Mounting

⚠ Caution

- Install with "out port" down in a vertical position.
Inclination from the vertical line should be less than 5°.
- Install with at least 200 mm of free space above the unit to allow for maintenance.
- To place this product near the air compressor, install in such a way that the vibrations will not be transmitted.
- Install a valve to drain inlet so that maintenance is possible.
Use a ball valve with a bore size of more than 15 mm. (Ball valve piping set is available as an accessory (option).)

Mounting

⚠ Caution

- When not draining sufficiently, open the bleed valve so that drain could run through easily.

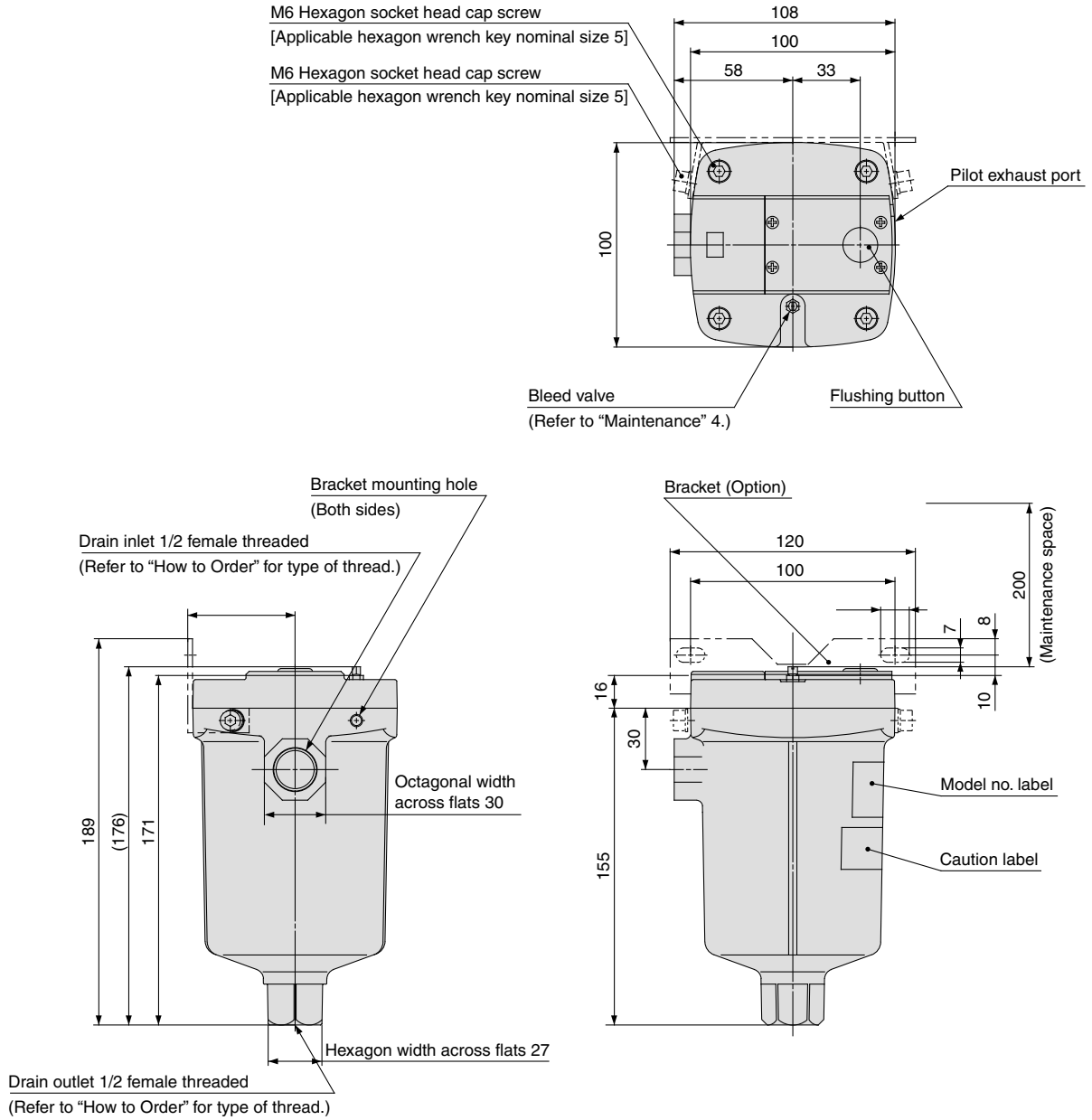
Maintenance

⚠ Caution

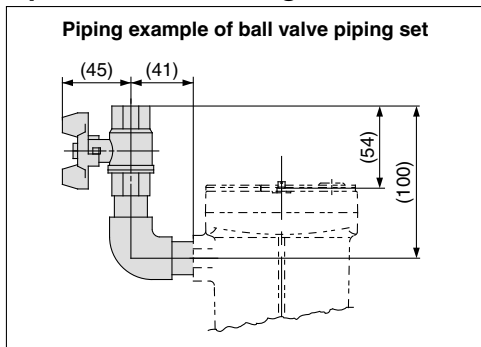
- Check drain condition periodically (more than once a day).
Also, push the flushing button to open the exhaust valve.
- Pilot air is exhausted from the exhaust port indicated in "Dimensions". Do not cover this exhaust port. Clean the exhaust port so that port is not blocked by dust, etc.
- When solid foreign objects exceeding 1 mm come in, the main valve may become blocked. After recovering the internal pressure of this product to 0 MPa (atmospheric pressure), remove the hexagon socket head cap screw (M6) from the body part and wash inside with water to remove foreign solid objects blocking the main valve.
- When using this product, drain may not easily enter the product. In such a case, adjust the open angle of its bleed valve to lower the pressure a bit inside the bowl so that drain could run through easily.

Series ADH4000

Dimensions



Option: Reference Figure of Assembly



Related Products: Differential Pressure Gauge Series *GD40-2-01*

The pressure differential at the inlet and the outlet of compressed air equipment can be viewed at a glance on the differential pressure gauge. It is ideal for the maintenance control of filters.

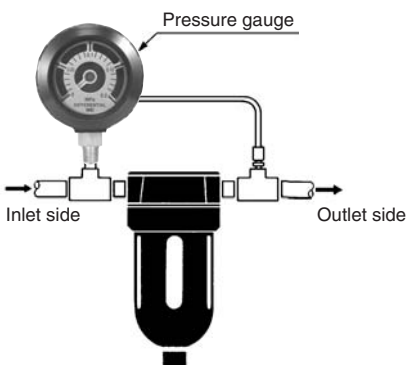
Compact and lightweight
Can be installed easily by merely providing a bypass circuit.
Provided with a protective cover to prevent hazards.



JIS Symbol



Piping Example



Model/Specifications

| Model | GD40-2-01 |
|-------------------------------|----------------|
| Fluid | Compressed air |
| Max. operating pressure | 1 MPa |
| Proof pressure | 1.5 MPa |
| Ambient and fluid temperature | 5 to 60°C |
| Port size Rc | 1/8 |
| Scale range | 0 to 0.2 MPa |
| Accuracy | ±0.006 MPa |
| Dial size | ø40 |
| Mass (g) | 300 |

Main Parts Material

| | |
|---------------|------------------------|
| Case | Zinc die-casted |
| Internal part | Brass, Phosphor bronze |
| Window | Polyester |
| Scale plate | Stainless steel |

Accessory

| | |
|----------------|-----------------|
| Nylon tube | T0425 (0.5 m) |
| Male connector | H04-01 (1 pc.) |
| Male elbow | DL04-01 (1 pc.) |

⚠ Specific Product Precautions

Be sure to read this before handling.

Refer to back pages 1 and 2 for Safety Instructions, "Precautions for Handling Pneumatic Devices" (M-03-E3A) for Common Precautions.

Design

⚠ Caution

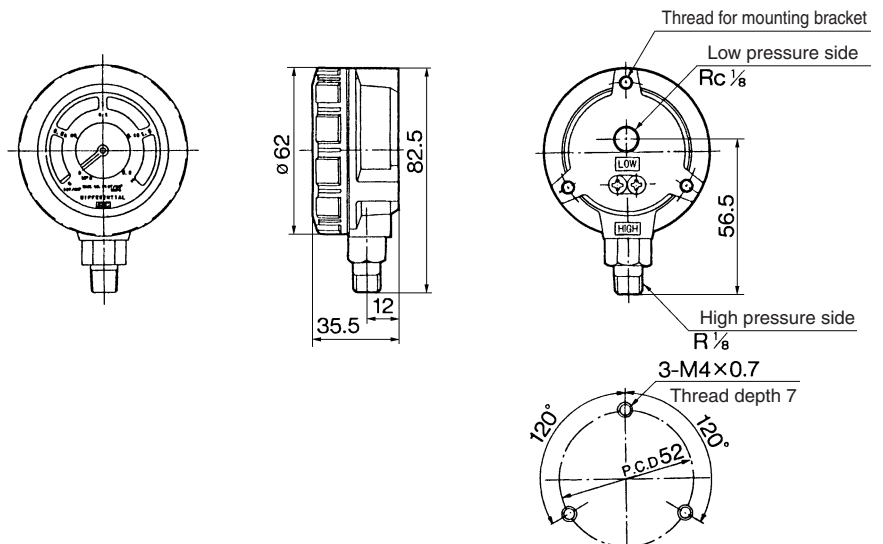
1. This product cannot be used in a location where pulsations could occur frequently.

Mounting

⚠ Caution

1. Mounting
 - 1) The HIGH and LOW marks on the back of the differential pressure gauge indicate the high pressure and low pressure sides respectively. Connect the HIGH side to the inlet side of the filter or other devices and the LOW side to their outlet side. Do not use a stop valve to prevent damage to the differential pressure gauge if the valve is inadvertently left open or closed.
 - 2) Install the differential pressure gauge vertically.
 - 3) The piping of the differential pressure gauge must be connected securely because it will break if it becomes detached.

Dimensions








Safety Instructions

These safety instructions are intended to prevent hazardous situations and/or equipment damage. These instructions indicate the level of potential hazard with the labels of “**Caution**,” “**Warning**” or “**Danger**.” They are all important notes for safety and must be followed in addition to International Standards (ISO/IEC), Japan Industrial Standards (JIS)*1) and other safety regulations*2).

- * 1) ISO 4414: Pneumatic fluid power – General rules relating to systems.
ISO 4413: Hydraulic fluid power – General rules relating to systems.
IEC 60204-1: Safety of machinery – Electrical equipment of machines. (Part 1: General requirements)
ISO 10218-1992: Manipulating industrial robots -Safety.
JIS B 8370: General rules for pneumatic equipment.
JIS B 8361: General rules for hydraulic equipment.
JIS B 9960-1: Safety of machinery – Electrical equipment of machines. (Part 1: General requirements)
JIS B 8433-1993: Manipulating industrial robots - Safety.
etc.
- * 2) Labor Safety and Sanitation Law, etc.

 **Caution:** Operator error could result in injury or equipment damage.

 **Warning:** Operator error could result in serious injury or loss of life.

 **Danger :** In extreme conditions, there is a possibility of serious injury or loss of life.

Warning

1. The compatibility of the product is the responsibility of the person who designs the equipment or decides its specifications.

Since the product specified here is used under various operating conditions, its compatibility with specific equipment must be decided by the person who designs the equipment or decides its specifications based on necessary analysis and test results. The expected performance and safety assurance of the equipment will be the responsibility of the person who has determined its compatibility with the product. This person should also continuously review all specifications of the product referring to its latest catalog information, with a view to giving due consideration to any possibility of equipment failure when configuring the equipment.

2. Only personnel with appropriate training should operate machinery and equipment.

The product specified here may become unsafe if handled incorrectly. The assembly, operation and maintenance of machines or equipment including our products must be performed by an operator who is appropriately trained and experienced.

3. Do not service or attempt to remove product and machinery/equipment until safety is confirmed.

1. The inspection and maintenance of machinery/equipment should only be performed after measures to prevent falling or runaway of the driven objects have been confirmed.

2. When the product is to be removed, confirm that the safety measures as mentioned above are implemented and the power from any appropriate source is cut, and read and understand the specific product precautions of all relevant products carefully.

3. Before machinery/equipment is restarted, take measures to prevent unexpected operation and malfunction.

4. Contact SMC beforehand and take special consideration of safety measures if the product is to be used in any of the following conditions.

1. Conditions and environments outside of the given specifications, or use outdoors or in a place exposed to direct sunlight.

2. Installation on equipment in conjunction with atomic energy, railways, air navigation, space, shipping, vehicles, military, medical treatment, combustion and recreation, or equipment in contact with food and beverages, emergency stop circuits, clutch and brake circuits in press applications, safety equipment or other applications unsuitable for the standard specifications described in the product catalog.

3. An application which could have negative effects on people, property, or animals requiring special safety analysis.

4. Use in an interlock circuit, which requires the provision of double interlock for possible failure by using a mechanical protective function, and periodical checks to confirm proper operation.



Safety Instructions

Caution

The product is provided for use in manufacturing industries.

The product herein described is basically provided for peaceful use in manufacturing industries.

If considering using the product in other industries, consult SMC beforehand and exchange specifications or a contract if necessary. If anything is unclear, contact your nearest sales branch.

Limited Warranty and Disclaimer/Compliance Requirements

The product used is subject to the following “Limited Warranty and Disclaimer” and “Compliance Requirements”. Read and accept them before using the product.

Limited Warranty and Disclaimer

1. The warranty period of the product is 1 year in service or 1.5 years after the product is delivered.*3)

Also, the product may have specified durability, running distance or replacement parts. Please consult your nearest sales branch.

2. For any failure or damage reported within the warranty period which is clearly our responsibility, a replacement product or necessary parts will be provided.

This limited warranty applies only to our product independently, and not to any other damage incurred due to the failure of the product.

3. Prior to using SMC products, please read and understand the warranty terms and disclaimers noted in the specified catalog for the particular products.

*** 3) Vacuum pads are excluded from this 1 year warranty.**

A vacuum pad is a consumable part, so it is warranted for a year after it is delivered.

Also, even within the warranty period, the wear of a product due to the use of the vacuum pad or failure due to the deterioration of rubber material are not covered by the limited warranty.

Compliance Requirements

When the product is exported, strictly follow the laws required by the Ministry of Economy, Trade and Industry (Foreign Exchange and Foreign Trade Control Law).



Series AM□/AFF

Specific Product Precautions 1

Be sure to read this before handling. Refer to back pages 1 and 2 for Safety Instructions, and "Precautions for Handling Pneumatic Devices" (M-03-E3A) for Common Precautions.

Design

⚠ Caution

1. Design the layout so that the mist separator should be installed in an area that is less susceptible to pulsations.

The element could be damaged if a difference between the inlet pressure and the outlet pressure exceeds 0.1 MPa.

2. Be careful of dust generation by the pneumatic equipment mounted on the outlet side.

When installing pneumatic equipment on the outlet side of the AM□ series, dust particles may come off from outlet equipment, which will lower the cleanliness of compressed air. Consider this impact upon the cleanliness of compressed air when installing pneumatic equipment on the outlet side.

3. About when to use N.C. auto drain and N.O. auto drain.

When using the AFF2C to 22C, 37B, 75B, AM□150C to 550C, 650, 850 with normally open (N.O.) auto drain, air may ceaselessly blow out of the drain discharge area when an air compressor with a small air discharge volume is used since the valve does not close unless the air pressure is 0.1 MPa or higher. Therefore, when using a compressor for 3.7 kW or less, make sure to use the normally closed (N.C.) auto drain. The minimum operating pressure is 0.15 MPa even with N.C. auto drain.

4. Use a tubing with proper size and length for drain piping of auto drain.

When using the AFF2C to 22C, 37B, AM□150C to 550C, 650 with auto drain:

| | |
|------------------------|---|
| Normally closed (N.C.) | } Use tubing O.D. 10 mm and keep the whole length within 5 m. |
| Normally open (N.O.) | |

When using the AFF75B and AM□850 with auto drain:

Normally open (N.O.): Use tubing I.D. 9 mm or more and keep the whole length within 2.8 m.

5. Provide a design that prevents back pressure and back flow.

Back pressure or back flow may damage an element.

6. Keep the certificate of Class 2 Pressure Vessel in a safe place.

Products below are subject to Class 2 Pressure Vessel Act. Certificate will be sent in 2 to 4 weeks later after the shipment of the product.

Main Line Filter AFF220A

Micro Mist Separator AMD9□0/10□0/9□1

⚠ Warning

1. Hold the female thread side and tighten to the recommended torque when screwing in the piping material.

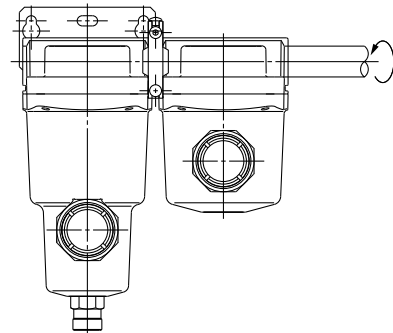
Insufficient tightening torque may cause loosening or defective sealing. Over-tightening torque may damage the thread etc. If it is tightened without holding the female thread side, excessive force will be directly applied to the piping bracket resulting in a product failure.

Recommended Torque

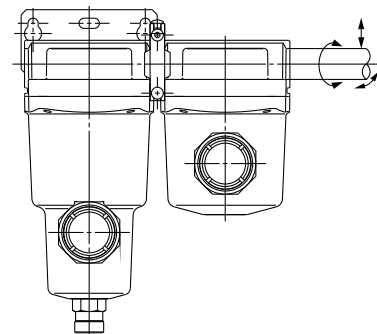
Unit: N·m

| Connection thread | 1/8 | 1/4 | 3/8 | 1/2 | 3/4 | 1 | 1 1/2 | 2 |
|-------------------|----------|--------|----------|----------|----------|----------|----------|----------|
| Torque | 1.5 to 2 | 7 to 9 | 12 to 14 | 28 to 30 | 28 to 30 | 36 to 38 | 48 to 50 | 48 to 50 |

* After tightening manually, tighten additionally by about 1/6 turn with a tightening tool.



2. Do not apply torsional moment or bending moment (except the product's own weight) to the bracket. It may damage the bracket. Support external piping separately.



3. Inflexible piping such as steel piping tends to be affected by spread of excessive moment load or vibration from the piping side. Lay flexible tubing between the steel pipe and the product to prevent such effects.



Series AM□/AFF Specific Product Precautions 2

Be sure to read this before handling. Refer to back pages 1 and 2 for Safety Instructions, and “Precautions for Handling Pneumatic Devices” (M-03-E3A) for Common Precautions.

Selection

⚠ Caution

1. About the system composition of purifying compressed air

Compressed air generally contains particulate contaminants as listed below, though there are some variations due to the compressor type and specifications. Determine the system configuration according to the desired cleanliness of compressed air and application, while referring to the “Air Preparation Equipment Selection Guide” for the AM□ series (Best Pneumatics).

[Particulate contaminants in compressed air]

- Water (drainage)
- Dust sucked from ambient air
- Degenerated oil from compressor
- Solid foreign matter such as rust inside piping and oil

2. Select according to the maximum flow consumption.

When compressed air is used for air blow, etc., find the maximum air consumption before selecting the size of the AM□ series. (If compressed air exceeding the maximum flow rate is supplied, it can result in decline of the cleanliness of compressed air or element damage.)

Mounting

⚠ Caution

1. About the mounting orientation of the products

Make sure to install this product on horizontal piping. If it is installed diagonally, laterally, or upside down, the drain separated by the element will splash to the outlet side.

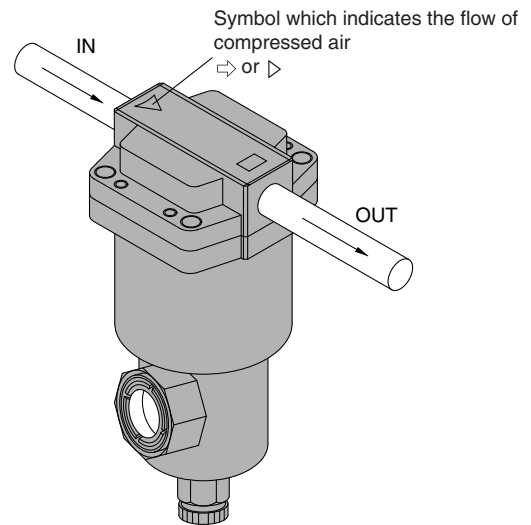
Piping

⚠ Caution

1. Connect it with IN and OUT ports in proper location. It does not work with the connection reversed.

In the case of the AFF2C to 22C, 37B, 75B, AM□150C to 550C, 650, 850

Verify the direction of the flow of the compressed air and the “⇨” or “▷” mark that indicates the inlet of the product before connecting. It cannot be used if connected in the opposite direction.



In the case of the AFF75A to 220A, AMD801, 901, 800, 900, 1000

INLET and OUTLET of compressed air is labeled on the side of flange. Be sure to connect correctly.

2. Use an air blower to flush the piping before connecting the piping.

Use an air blower to thoroughly flush the piping, or wash the piping to remove any cutting chips, cutting oil, or debris from inside the piping before connecting them.

3. Wrapping of sealant tape

When screwing in the pipes or fittings, make sure to prevent cutting chips or the sealant material on the threaded portion of the pipe from entering the piping. If sealant tape is to be used, leave about 1.5 to 2 ridges of threads uncovered.

4. Modular connection

Mount the attached bracket on one side when connecting 2 sets. Mount the attached brackets on both sides when connecting 3 sets or more. As a guideline for the number of brackets, one bracket should be mounted for every 2 products.



Series AM□/AFF Specific Product Precautions 3

Be sure to read this before handling. Refer to back pages 1 and 2 for Safety Instructions, and "Precautions for Handling Pneumatic Devices" (M-03-E3A) for Common Precautions.

Air Supply

⚠ Caution

1. The mist separator is not applicable to gases other than compressed air.

The mist separator is not applicable to gases other than compressed air (example: oxygen, hydrogen, flammable gas, mixed gas).

2. Do not use compressed air that contains chemicals, organic solvents, salt, or corrosive gases.

Do not use compressed gas containing chemicals, organic solvents, salt or corrosive gas. This can cause rust, damage to rubber and resin parts, or malfunction.

3. Operate within the specified operating pressure range.

Damage, failure, or malfunction may occur if the mist separator is operated above the maximum operating pressure.

If the mist separator is used below the minimum operating pressure, increase in the air-flow resistance due to clogging will have such influence that the desired flow rate cannot be obtained.

If the mist separator is used under a low pressure such as for a blower, conduct sufficient tests by users to confirm the specifications and performances.

Operating Environment

⚠ Caution

1. Do not use in the following environments, as this can cause failure.

- 1) In locations having corrosive gases, organic solvents, and chemical solutions, or in locations where these elements are likely to adhere to the equipment.
- 2) In locations where salt water, water, or water vapor could come in contact with the equipment.
- 3) In locations that is exposed to shocks and vibrations.

2. Be careful about the contamination of the workpieces due to entrainment of the ambient air.

If compressed air is used for air blow, compressed air blowing out from the blow nozzle may entrain foreign matter (solid particles and liquid particles) floating in the ambient air, blowing it against the workpieces and causing adhesion. Therefore, sufficient precautions must be taken about the ambient environment.

Maintenance

⚠ Caution

1. Replace the element immediately when the time for its replacement has arrived.

To replace the element, replace the O-ring and the gasket, too. For the replacement procedure, refer to the operating manual. (For element dimensions, refer to back page 6.)

<Element replacement>

In the case of the AFF2C to 22C, 37B, 75B, AM□150C to 550C, 650, 850

The replacement interval for the element is when the pressure drop reaches 0.1 MPa or after two years of operation, whichever comes first. A pressure drop can be verified with the element service indicator (-T) or with differential pressure gauge (Made to Order).

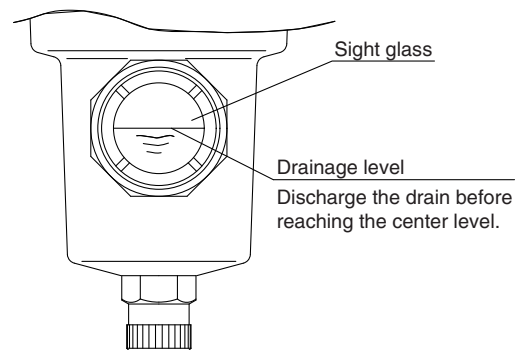
In the case of the AFF75A to 220A, AMD800 to 1000, AMD801, 901

The replacement interval for the element is when the pressure drop reaches 0.1 MPa or after one year of operation, whichever comes first. Confirm the pressure drop with a pressure gauge. (With pressure gauge: -G)

2. Be sure to exhaust the drain accumulated in the filter container.

Failure to discharge the drain will allow the accumulated drain to flow over to the outlet side.

When using the AFF2C to 22C, 37B, 75B, AM□150C to 550C, 650, 850 with drain cock, drain guide or ball valve, discharge the drain before the drainage level reaches the center of the sight glass. If the drain is not discharged properly, it will flow over to the outlet side.





Series AM□/AFF Specific Product Precautions 4

Be sure to read this before handling. Refer to back pages 1 and 2 for Safety Instructions, and "Precautions for Handling Pneumatic Devices" (M-03-E3A) for Common Precautions.

Maintenance

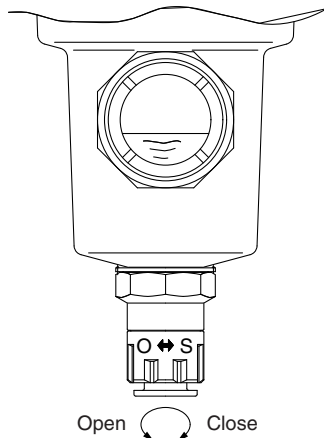
⚠ Caution

3. In the case of a type with auto drain

- The auto drain operates when the drainage level reaches the top of the sight glass, and the drain will be discharged.
- When using the AFF2C to 22C, 37B, AM□150C to 550C, 650 with auto drain, the drain is automatically discharged with the knob tightened to the "S" side. Manual drain discharge, however, is also possible.

<Manual operation>

A manual knob attached to the auto drain end is tightened to the "S" side in normal operation. The drain can be discharged by loosening it to the "O" side. (Be careful, however, if pressure remains inside the filter when the drain is discharged, the drain will blow out from the drain port.)



4. The drain exhaust parts replacement method and necessary parts are different depending on when it was manufactured.

| Description | Necessary parts | | Applicable size |
|-----------------|---|---|--|
| | Manufactured Dec. 2002 or before [Up to manufacturing lot No. GZ] | Manufactured Jan. 2003 onwards [Manufacturing lot No. HO onwards] | |
| Drain cock | AM-SA002 | | 2C to 22C 2B to 37B 150C to 550C 150 to 650 |
| Drain guide | AM-SA003 | | |
| N.O. auto drain | Auto drains cannot be replaced alone since those cannot be assembled without dedicated assembly tools. The entire bowl assembly must be replaced. (Refer to "How to Order Bowl Assembly" on page 63.) | AD43PA-D | 2C to 22C 2B to 22B 150C to 550C 150 to 550 |
| N.C. auto drain | | AD53PA-D | |
| Ball valve set | AM-SA004 | | 75B, 850 |
| N.O. auto drain | AD34PA-D <small>Note)</small> | | |

Note) Jig (AM-SA005) for replacing auto drain is necessary for the 75B or 850.

Others

⚠ Caution

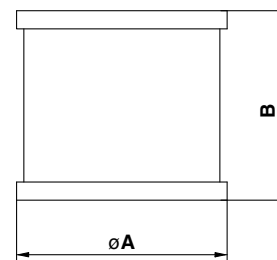
1. Element interchange

Following is the element dimensions for the AFF and AM□ series:

Since elements for the same body size has the same dimensions, they are interchangeable.

However, do not interchange them easily since it can cause various kinds of problems.

If interchanging the elements is unavoidable, replace the product model number label, too.



Element Dimensions

| Model | Element dimensions (Reference value) | |
|---|--------------------------------------|-----|
| | øA | B |
| AFF2C, AFF2B, AM150C, AM150 AMD150C, AMD150, AMH150C, AMH150 | 49 | 42 |
| AFF4C, AFF4B, AM250C, AM250 AMD250C, AMD250, AMH250C, AMH250 | 58 | 52 |
| AFF8C, AFF8B, AM350C, AM350 AMD350C, AMD350, AMH350C, AMH350 | 70 | 78 |
| AFF11C, AFF11B, AM450C, AM450 AMD450C, AMD450, AMH450C, AMH450 | 82 | 88 |
| AFF22C, AFF22B, AM550C, AM550 AMD550C, AMD550, AMH550C, AMH550 | 96 | 118 |
| AFF37B, AM650 AMD650, AMH650 | 122 | 144 |
| AFF75B, AM850 AMD850, AMH850 | 142 | 223 |

2. About oil-free products

The AFF and AM□ series includes parts (such as resin parts, rubber parts, and elements) that does not allow degreasing wash. Therefore, oil-free products with all parts degreasing washed is not available.

3. Degreasing wash

Certain parts such as the body and housing can be degreasing washed. Contact SMC after confirming the specifications. (available as Option or Made to Order)

4. Change of oil

On the AFF and AM□ series, no oil such as grease is applied to parts exposed to compressed air. However, for certain specifications, there are some parts to which oil is applied. It is possible to change the type of applied oil (as Option or Made to Order).



Series AM□/AFF Specific Product Precautions 5

Be sure to read this before handling. Refer to back pages 1 and 2 for Safety Instructions, and "Precautions for Handling Pneumatic Devices" (M-03-E3A) for Common Precautions.

Others

⚠ Caution

5. Internal volume of filter container

The product can be used as a small capacity air tank by removing the element.

Following is the volume of filter containers of the AFF and AM□ series (when the element is removed).

Volume Inside Filter

| Model | Volume inside filter (Reference value) (cm ³) |
|---|---|
| AFF2C, AFF2B, AM150C, AM150 AMD150C, AMD150, AMH150C, AMH150 | 250 |
| AFF4C, AFF4B, AM250C, AM250 AMD250C, AMD250, AMH250C, AMH250 | 300 |
| AFF8C, AFF8B, AM350C, AM350 AMD350C, AMD350, AMH350C, AMH350 | 600 |
| AFF11C, AFF11B, AM450C, AM450 AMD450C, AMD450, AMH450C, AMH450 | 1000 |
| AFF22C, AFF22B, AM550C, AM550 AMD550C, AMD550, AMH550C, AMH550 | 1500 |
| AFF37B, AM650 AMD650, AMH650 | 3000 |
| AFF75B, AM850 AMD850, AMH850 | 9000 |

Discontinued Model and Equivalent Model

The AFF and AM□ series were remodeled to products introduced in this catalog in 1988.

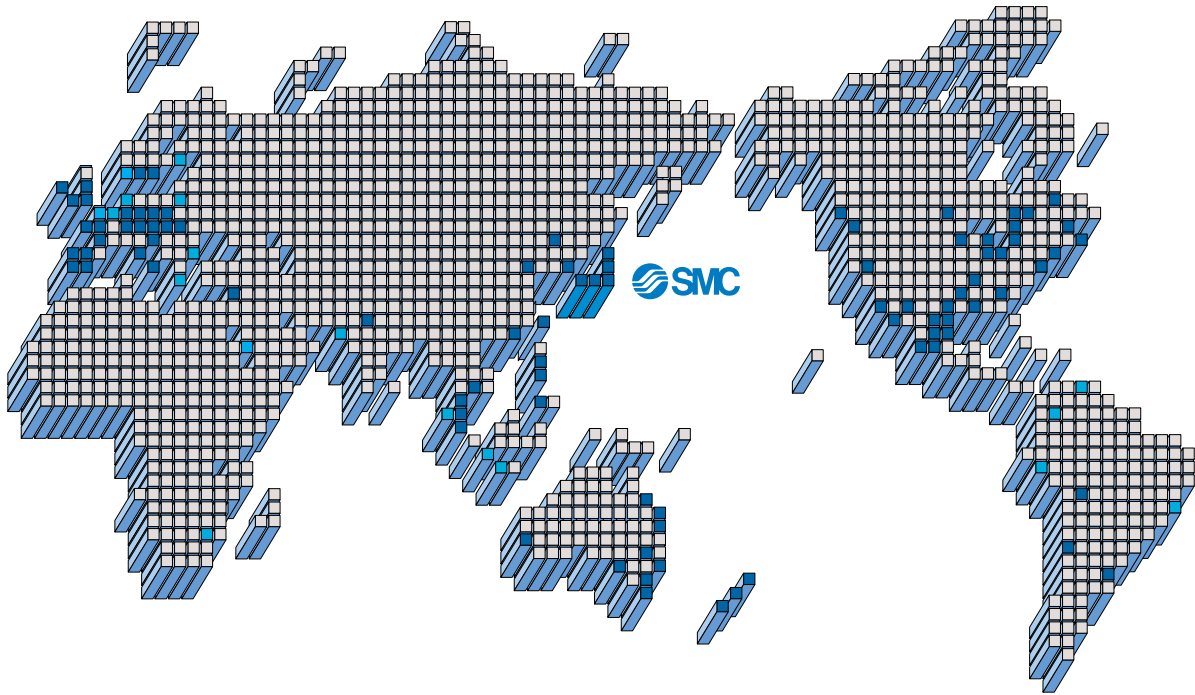
Along with the new models, old models were provided mainly for the purpose of maintenance. However, due to the aging of metal dies and extreme decline in the quantity, the procurement of parts and consequently the maintenance of the production system became difficult. For this reason, old models were discontinued in 1994, as detailed in the table below. Use the equivalent model listed there.

Discontinued Model and Equivalent Model

| Product name | Production discontinuance | | | Equivalent model | | | Page | | | | |
|----------------------|---------------------------|--|---|--|------------------|--|------------------|-----------------|------------------|-----------------|---------|
| | Model | Period of production discontinuance for products | Period of production discontinuance for maintenance parts | External dimensions of product Width x Depth x Height | Model | External dimensions of product Width x Depth x Height | | | | | |
| Main Line Filter | AFF6 | End of July '94 | End of March '99 | 100 x 100 x 253 | AFF4C | 76 x 76 x 172 | P.10 | | | | |
| | AFF22 | | | 150 x 140 x 446 | AFF22C | 122 x 122 x 259 | | | | | |
| | AFF37 | | | 200 x 170 x 526 | AFF37B | 160 x 160 x 311 | | | | | |
| | AFF55 | | | 280 x 280 x 497 | AFF75B | 220 x 220 x 461 | | | | | |
| Mist Separator | AM200 | | | End of July '94 | End of March '99 | 63 x 63 x 191 | AM150C | 63 x 63 x 158 | P.18 | | |
| | AM300 | | | | | 85 x 85 x 258 | AM250C | 76 x 76 x 172 | | | |
| | AM400 | | | | | 120 x 120 x 236 | AM350C | 90 x 90 x 204 | | | |
| | AM500 | | | | | 140 x 140 x 383 | AM550C | 122 x 122 x 259 | | | |
| | AM600 | | | | | 180 x 170 x 465 | AM650 | 160 x 160 x 311 | | | |
| Micro Mist Separator | AMD100 | | | | | End of July '94 | End of March '99 | 63 x 63 x 136 | AMD150C | 63 x 63 x 158 | P.26 |
| | AMD200 | | | | | | | 80 x 82 x 170 | AMD250C | 76 x 76 x 172 | |
| | AMD300 | | | | | | | 90 x 90 x 233 | AMD350C | 90 x 90 x 204 | |
| | AMD400 | | | | | | | 140 x 140 x 380 | AMD450C | 106 x 106 x 225 | |
| | AMD500 | | | | | | | 140 x 140 x 490 | AMD550C | 122 x 122 x 259 | |
| | AMD600 | | | | | | | 140 x 140 x 590 | AMD650 | 160 x 160 x 311 | |
| Odor Removal Filter | AMF200 | | | | | | | End of July '94 | End of March '99 | 80 x 80 x 153 | AMF250C |
| | AMF300 | 90 x 90 x 216 | AMF350C | | | | | | | 90 x 90 x 132 | |
| | AMF400 | 140 x 140 x 250 | AMF450C | | | | | | | 106 x 106 x 151 | |
| | AMF500 | 140 x 140 x 360 | AMF550C | | | | | | | 122 x 122 x 187 | |
| | AMF600 | 140 x 140 x 460 | AMF650 | | | | | | | 160 x 160 x 291 | |

Note) Some models have different heights depending on the port size. They are shown in parentheses.

SMC'S GLOBAL MANUFACTURING, DISTRIBUTION AND SERVICE NETWORK



EUROPE

AUSTRIA

SMC Pneumatik GmbH (Austria)

BELGIUM

SMC Pneumatics N.V./S.A.

BULGARIA

SMC Industrial Automation Bulgaria Eood

CROATIA

SMC Industrijska Automatika d.o.o.

CZECH REPUBLIC

SMC Industrial Automation CZ s.r.o.

DENMARK

SMC Pneumatik A/S

ESTONIA

SMC Pneumatics Estonia OÜ

FINLAND

SMC Pneumatics Finland Oy

FRANCE

SMC Pneumatique SA

GERMANY

SMC Pneumatik GmbH

GREECE

SMC Hellas E.P.E.

HUNGARY

SMC Hungary Ipari Automatizálási Kft.

IRELAND

SMC Pneumatics (Ireland) Ltd.

ITALY

SMC Italia S.p.A.

LATVIA

SMC Pnuematics Latvia SIA

LITHUANIA

UAB "SMC Pneumatics"

NETHERLANDS

SMC Pneumatics B.V.

NORWAY

SMC Pneumatics Norway AS

POLAND

SMC Industrial Automation Polska Sp.z.o.o.

ROMANIA

SMC Romania S.r.l.

RUSSIA

SMC Pneumatik LLC

SLOVAKIA

SMC Priemyselná Automatizácia Spol s.r.o.

SLOVENIA

SMC Industrijska Avtomatika d.o.o.

SPAIN/PORTUGAL

SMC España S.A.

SWEDEN

SMC Pneumatics Sweden AB

SWITZERLAND

SMC Pneumatik AG

U.K.

SMC Pneumatics (U.K.) Ltd.

ASIA

CHINA

SMC (China) Co., Ltd.

HONG KONG

SMC Pneumatics (Hong Kong) Ltd.

INDIA

SMC Pneumatics (India) Pvt. Ltd.

MALAYSIA

SMC Pneumatics (S.E.A.) Sdn. Bhd.

PHILIPPINES

Shoketsu SMC Corporation

SINGAPORE

SMC Pneumatics (S.E.A.) Pte. Ltd.

SOUTH KOREA

SMC Pneumatics Korea Co., Ltd.

TAIWAN

SMC Pneumatics (Taiwan) Co., Ltd.

THAILAND

SMC (Thailand) Ltd.

NORTH AMERICA

CANADA

SMC Pneumatics (Canada) Ltd.

MEXICO

SMC Corporation (Mexico), S.A. de C.V.

U.S.A.

SMC Corporation of America

SOUTH AMERICA

ARGENTINA

SMC Argentina S.A.

BOLIVIA

SMC Pneumatics Bolivia S.r.l.

BRAZIL

SMC Pneumáticos do Brasil Ltda

CHILE

SMC Pneumatics (Chile) S.A.

VENEZUELA

SMC Neumatica Venezuela S.A.

OCEANIA

AUSTRALIA

SMC Pneumatics (Australia) Pty. Ltd.

NEW ZEALAND

SMC Pneumatics (N.Z.) Ltd.



Safety Instructions

Be sure to read "Precautions for Handling Pneumatic Devices" (M-03-E3A) before using.

SMC Corporation

Akihabara UDX 15F,
4-14-1, Sotokanda, Chiyoda-ku, Tokyo 101-0021, JAPAN
Phone: 03-5207-8249 Fax: 03-5298-5362
URL <http://www.smcworld.com>
© 2008 SMC Corporation All Rights Reserved

Specifications are subject to change without prior notice
and any obligation on the part of the manufacturer.

D-DN

1st printing MT printing MT 16400DN Printed in Japan.

This catalog is printed on recycled paper with concern for the global environment.