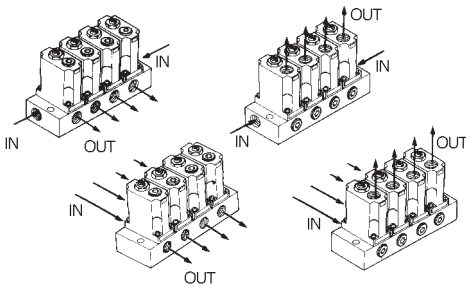


# Regulator Manifold

# ARM1000/2000

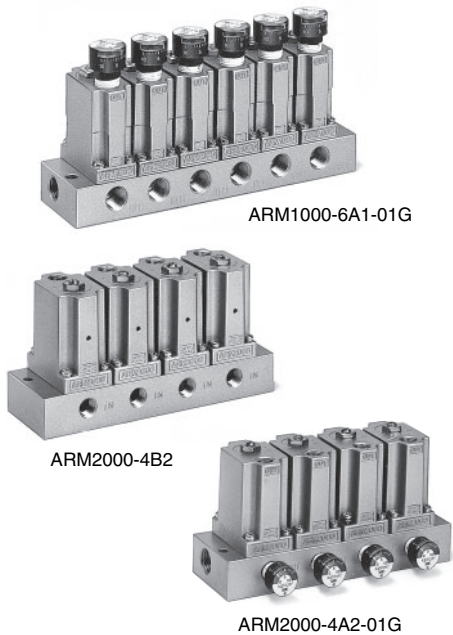
## 4 connection methods



## Small size pressure gauge ø15

## Backflow function available on the standard model

## Space saving



## Standard Specifications

Fluid	Air
Proof pressure	1.2MPa
Max. operating pressure	0.8MPa
Set pressure range	0.05 to 0.7MPa
Ambient and fluid temperature	-5 to 60°C
Cracking pressure (Valve)	0.02MPa
Construction	Relieving style

## Port Size/Weight

Model	Piping	Port size		Weight (g)	
		IN	OUT	Total weight (n: stations)	Regulator (Except manifold)
ARM1000	Common IN	1/8	1/8	(80 X n) + 23	57
	Individual IN	1/8	1/8	(79 X n) + 25	
ARM2000	Common IN	1/4	1/8	(188 X n) + 43	136
	Individual IN	1/8	1/8	(187 X n) + 45	

## How to Order

**ARM 1000** — **5** — **A1** — **01** — **G** — **1**

Regulator for manifold

Body size

1000
2000

Number of stations

1	1 station
⋮	⋮
10	10 stations

Piping

Symbol	IN	OUT
A1	Common	Manifold side
A2		Body side
B1	Individual	Manifold side
B2		Body side

Thread

—	Rc(PT)
N	NPT

Option

1	Set at 0.2MPa
---	---------------

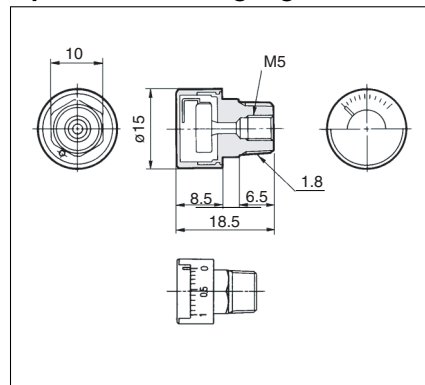
Accessory

—	None (with plug)
G	Pressure gauge

\* In case of A1 and B1, a pressure gauge or a plug is mounted on the body side, while in case of A2 and B2, on the manifold side.  
 \*\* When mounting a pressure gauge on the body side, its front faces to the adjusting screw.

\* In case of a single regulator without a manifold base, indicate "ARM1000A or ARM2000A."  
 \*\* When a regulator is not mounted on the manifold, use the following blank plate ass'y (with mounting screws and O ring)  
 For ARM1000: Part no. 136214A  
 For ARM2000: Part no. 136214A

## Option: Pressure gauge G15-10-01



•Precautions: When drain or oil gets into the gauge, an error is shown on the display.

## How to Order

**G15-10-01**

Max. pressure indication

10	1.0MPa
----	--------

\*Pressure gauge for 0.2MPa

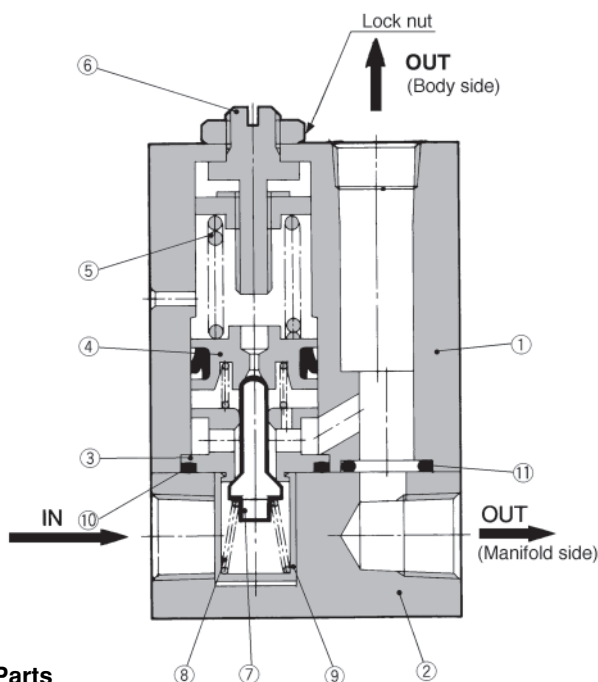
Connecting thread

01	1/8 male thread, M5 female thread
----	-----------------------------------

Thread

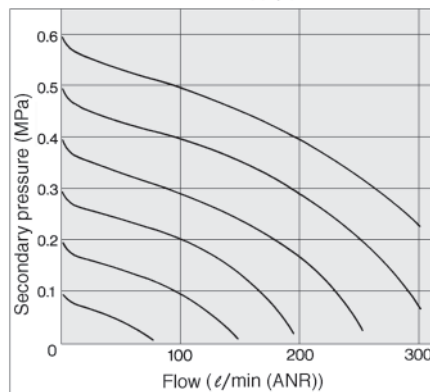
—	Rc(PT)
N	NPT

## Construction (Individual IN)

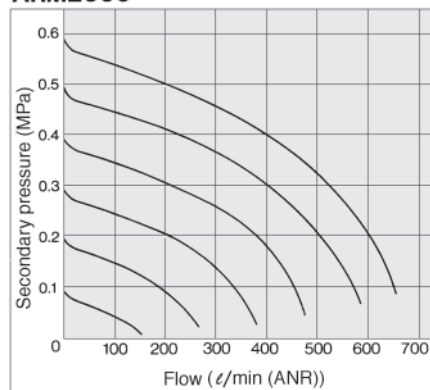


## Flow Characteristics

**ARM1000** Supply pressure: 0.7MPa



**ARM2000**



### Component Parts

No.	Description	Material	Note
①	Body	ADC	Chromate
②	Manifold	Aluminum alloy	Chromate
③	Valve guide	Brass	
④	Piston	Brass	
⑤	Adjusting spring	Steel wire	Zinc chromate
⑥	Adjusting screw	Steel	Electroless nickel plated

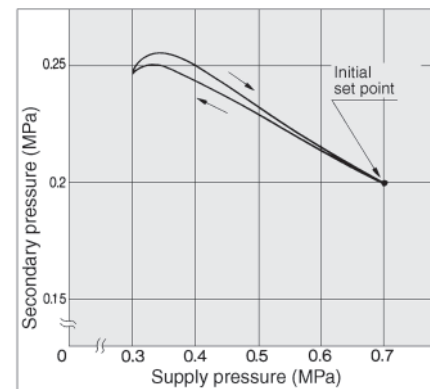
### Replacement Parts

No.	Description	Material	Part no.	
			ARM1000	ARM2000
⑦	Valve	Brass/NBR	134819	13626
⑧	Valve spring	Stainless steel	13615	13625
⑨	Valve guide	POM	13614	13624
⑩	O ring	NBR	16.5 X 13.5 X 1.5	23 X 20 X 1.5
⑪	O ring	NBR	JIS B 2401P7	JIS B 2401P8

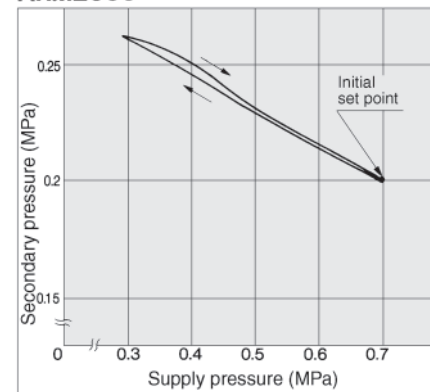
### Pressure Characteristics

Initial setting Supply pressure: 0.7MPa  
Secondary pressure: 0.2MPa  
Flow: 10 l/min (ANR)

**ARM1000**



**ARM2000**



### Setting

- ① Make sure to check the primary pressure before setting the secondary pressure. Turning the pressure adjustment handle clockwise increases the secondary pressure and turning it counterclockwise decreases the pressure. (To set the pressure, do so in the direction of pressure increase.)
- ② The secondary pressure must be set to 85% or less of the primary pressure.

## ⚠ Precautions

**Be sure to read before handling.**  
Refer to p.0-26 and 0-27 for Safety Instructions and common precautions on the products mentioned in this catalogue, and refer to p.1.0-2 and 1.0-3 for precautions on every series.

## Mounting/Adjustment

### ⚠ Warning

- ① In the case of the common IN style, supply pressure from the two IN ports from both ends. Failure to observe this procedure could lead to an excessive pressure drop.
- ② Set up the regulator while verifying the pressure that is indicated on the primary and the secondary pressure gauges. Turning the handle excessively could damage the internal parts.

### ⚠ Caution

- ① Release the lock to adjust the pressure. After the adjustment, engage the lock. Failure to observe this procedure could damage the handle or cause the secondary pressure to fluctuate.

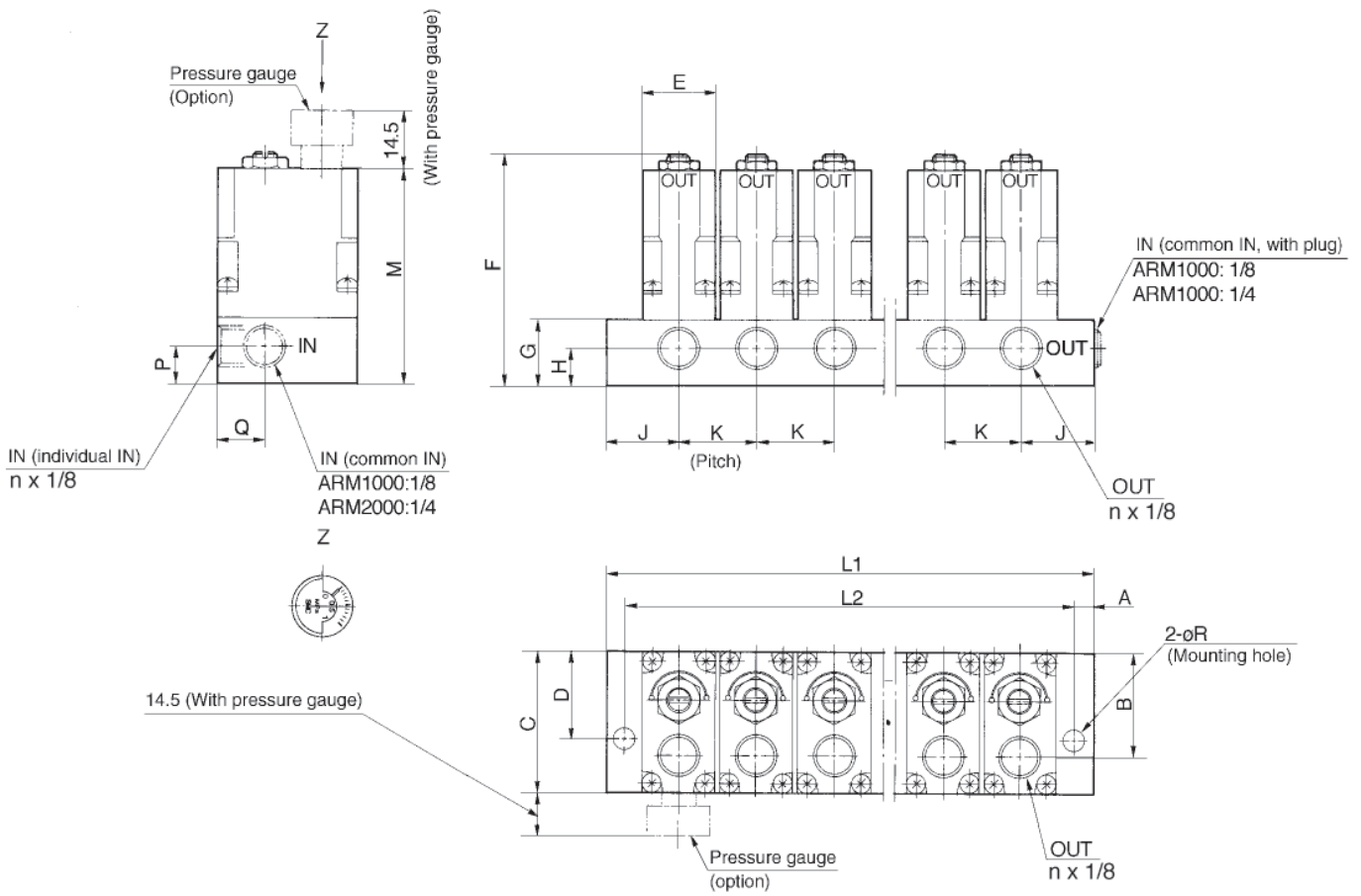
## Maintenance

### ⚠ Warning

- ① Make sure to perform a periodic inspection of the pressure gauge when it is used by installing it between a solenoid valve and an actuator, etc. Because of the possibility of creating sudden pressure fluctuations, the durability of the product could be shortened. Under certain circumstances, the use of an electronic style pressure gauge is recommended.

# ARM1000/2000

## Dimensions



### Dimensions

Model	Symbol	A	B	C	D	E	F	G	H	J	K	M	P	Q	R
ARM1000		4.5	25	34	21	18	56	16	9	18	19	52	9	11.5	4.8
ARM2000		4.5	34.5	43	28	27	70	20	11.5	24	28	66	11.5	16.5	4.8

### Dimensions by Number of Stations

Model	Symbol	Manifold stations (n)									
		1	2	3	4	5	6	7	8	9	10
ARM1000	L1	36	55	74	93	112	131	150	169	188	207
	L2	27	46	65	84	103	122	141	160	179	198
ARM2000	L1	48	76	104	132	160	188	216	244	272	300
	L2	39	67	95	123	151	179	207	235	263	291

# Regulator Manifold Modular Style

# ARM2500/3000

A modular style that can be freely mounted on a manifold station.

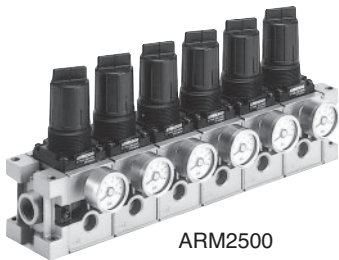
Optimal for central pressure control.

Easily set up using the new handle.

Also has a One-touch lock system.



ARM3000



ARM2500

## How to Order

**E** **ARM** **2500** — **05** **A** — **F** **02** **G1**

- Regulator manifold**
- Ordering source area code**

-	Japan, Asia Australia
E	Europe
N	North America
- Body size**

2500
3000
- Number of stations**

02	2 stations
⋮	⋮
10	10 stations
- Piping**

-	Rc
E	G
N	NPT
- Accessories (Options)**

—	None (with plug)
G1	G33-10-01
G2	GA33-10-01

\*Pressure gauge is attached, not mounted.
- Port size (OUT side)**

Symbol	Port size	Applicable model
02	Rc (PT) 1/4	ARM2500
03	Rc (PT) 3/8	ARM3000

Symbol	Style	IN
A	Common IN	From end plate
B	Individual IN	From OUT port or G port

## Standard Specifications

Proof pressure	1.5MPa
Max. operating pressure	1.0MPa
Set pressure range	0.05 to 0.85MPa
Ambient and fluid temperature	-5 to 60°C(Non-freezing)
Fluid	Air
Construction	Relieving style

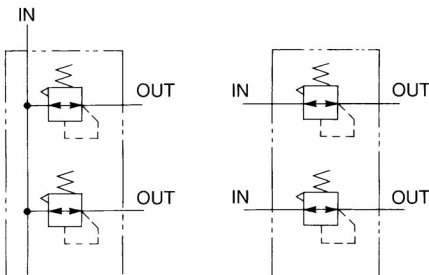
## Port Size/Weight

Model	Piping	Port size Rc(PT)			Pressure gauge port size Rc(PT)	Weight (kg)	
		IN		OUT		Regulator	End plate
		Body	End plate				
ARM2500	Common IN	—	3/8	1/4	1/8	0.26	0.06
	Individual IN	1/4	—	1/4	1/8		
ARM3000	Common IN	—	1/2	3/8	1/8	0.47	0.11
	Individual IN	3/8	—	3/8	1/8		

### Symbol

Common IN

Individual IN

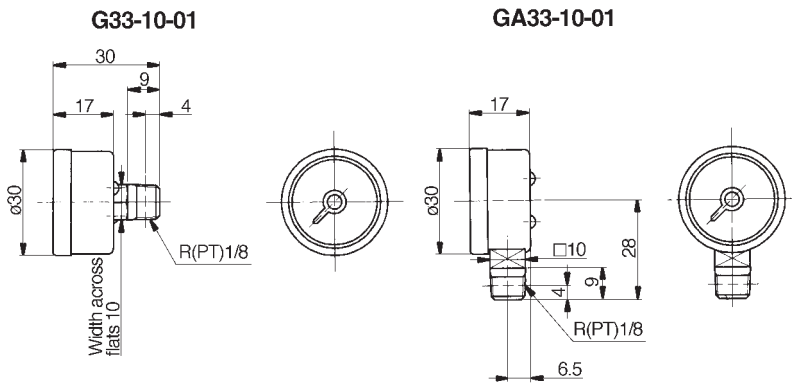


## Weight by Number of Stations

Model	Stations	2	3	4	5	6	7	8	9	10
ARM2500		0.68	0.96	1.23	1.51	1.78	2.06	2.33	2.61	2.89
ARM3000		1.25	1.75	2.25	2.75	3.26	3.76	4.26	4.76	5.26

# ARM2500/3000

Option: Pressure Gauge (Max. pressure indication 1.0MPa)



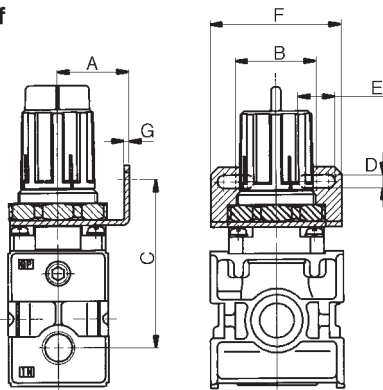
Option: Mounting Bolt Assembly

Model	Part No.	Dimensions	Qty.	Note
ARM2500	136313	Hexagon socket head cap screw (M5 x 70)	4	With flat washer
ARM3000	136413	Hexagon socket head cap screw (M6 x 85)	4	With flat washer

Option: Bracket Assembly

Individual IN style can be used as a single regulator.

Example of mounting



Model	Part No.	A	B	C	D	E	F	G
ARM2500	136314	30	34	70	5.4	15.4	55	2.3
ARM3000	136414	41	40	75.5	6.5	8	53	2.3

## ⚠ Precautions

- Be sure to read before handling.
- Refer to p.0-26 and 0-27 for Safety Instructions and common precautions on the products mentioned in this catalogue, and refer to p.1.0-2 and 1.0-3 for precautions on every series.

## Mounting/Adjustment

### ⚠ Warning

- ① The adjustment handle must be operated manually. Using a tool to turn the handle could lead to damage.
- ② Set up the regulator while verifying the pressure that is indicated on the primary and the secondary pressure gauges. Turning the handle excessively could damage the internal parts.

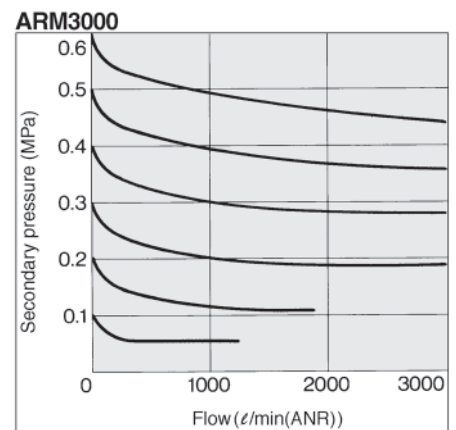
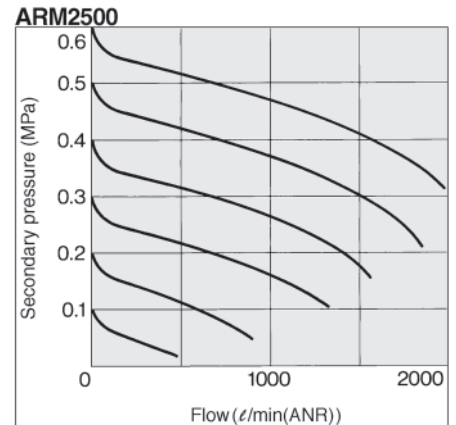
### ⚠ Caution

- ① Release the lock to adjust the pressure. After the adjustment, engage the lock. Failure to observe this procedure could damage the handle or cause the secondary pressure to fluctuate.
  - A) On the ARM2500 type, pull the adjustment handle to release the lock and push the adjustment handle to engage the lock. If it does not lock easily, turn the handle slightly clockwise or counterclockwise before pushing it.

- B) On the ARM3000 type, pull the adjustment handle to release the lock. (An orange colored line is provided at the bottom of the adjustment handle for visual checking.) Push the adjustment handle to engage the lock. If it does not lock easily, turn the handle slightly clockwise or counterclockwise; then, push it until the orange colored line is no longer visible.
- ② Turning the pressure adjustment handle clockwise increases the secondary pressure and turning it counterclockwise decreases the pressure.
- ③ Make sure to check the primary pressure before setting the pressure. The secondary pressure must be set to 85% or less of the primary pressure. Failure to observe this procedure could cause the secondary pressure to fluctuate.
- ④ In the case of the common IN style, supply pressure from the two IN ports from both ends. Failure to observe this procedure could lead to

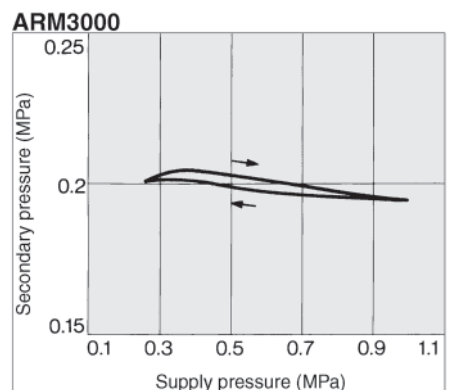
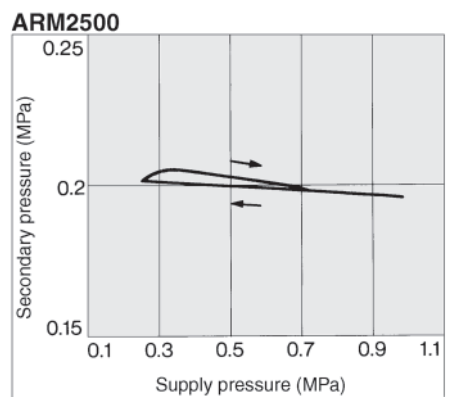
## Flow Characteristics

Supply pressure: 0.7MPa

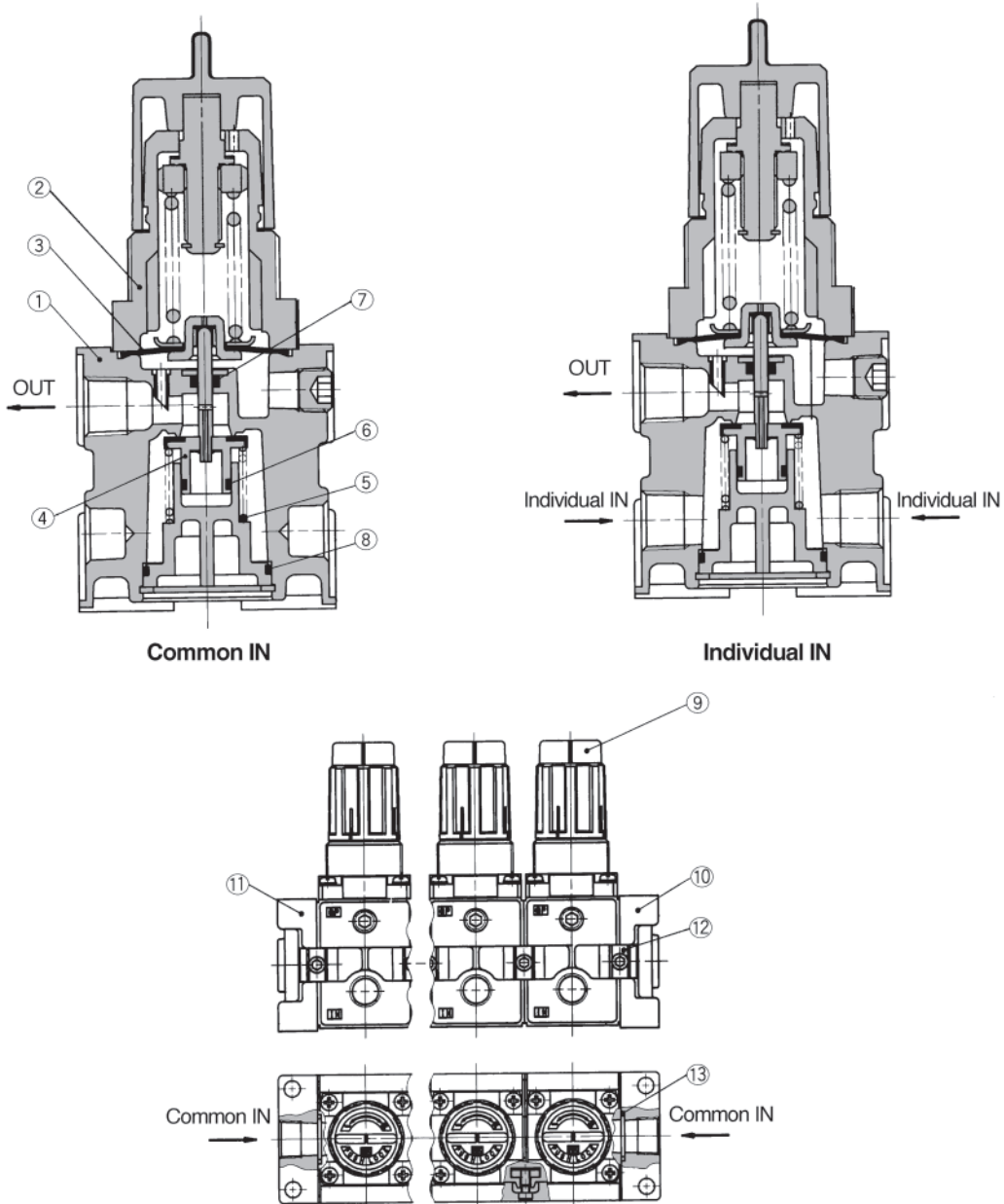


## Pressure Characteristics

Initial setting P1: 0.7MPa P2: 0.2MPa  
Q: 20 l/min (ANR)



## Construction



### Component Parts

No.	Description	Material	Note
①	Body	Aluminum die cast	Chromate/Painted silver
②	Bonnet	Polyacetal	

### Replacement Parts

No.	Description	Material	Part No.	
			ARM2500	ARM3000
③	Diaphragm ass'y	NBR	1349161A	131515A
④	Valve ass'y	Brass/NBR	13639A	13649A
⑤	Valve spring	Stainless steel	136310	136410
⑥	Valve O ring	NBR	11.5 X 8.5 X 1.5	14.5 X 10.5 X 2
⑦	O ring	NBR	JIS B2401 P3	JIS B2401 P5
⑧	O ring	NBR	28 X 25 X 1.5	35 X 31 X 2

### Component Parts

Description	No.	Assembly		Part No.			
		Component	Qty.	ARM2500		ARM3000	
				Common IN	Individual IN	Common IN	Individual IN
Regulator	⑨	Regulator	1	ARM2500-A-02	ARM2500-A-02	ARM3000-A-02	ARM3000-A-02
End plate ass'y	⑩	End plate R	1	13636A	13636B (Except for O ring)	13646A	13646B (Except for O ring)
	⑪	End plate L	1				
	⑫	O ring	1				
	⑬	Bracket	Bracket A				
Bracket B			2				
Hex. socket head cap screw			2				
Bracket ass'y	⑫	O ring	1	136312		136412	
	⑬	Bracket	Bracket A				2
			Bracket B				2
		Hex. socket head cap screw	2				

#### How to Order

(1) When adding n stations to ARM  $\frac{2500}{3000}$ -□□□□ A:

- Regulator n pcs.
- Bracket ass'y n pcs.

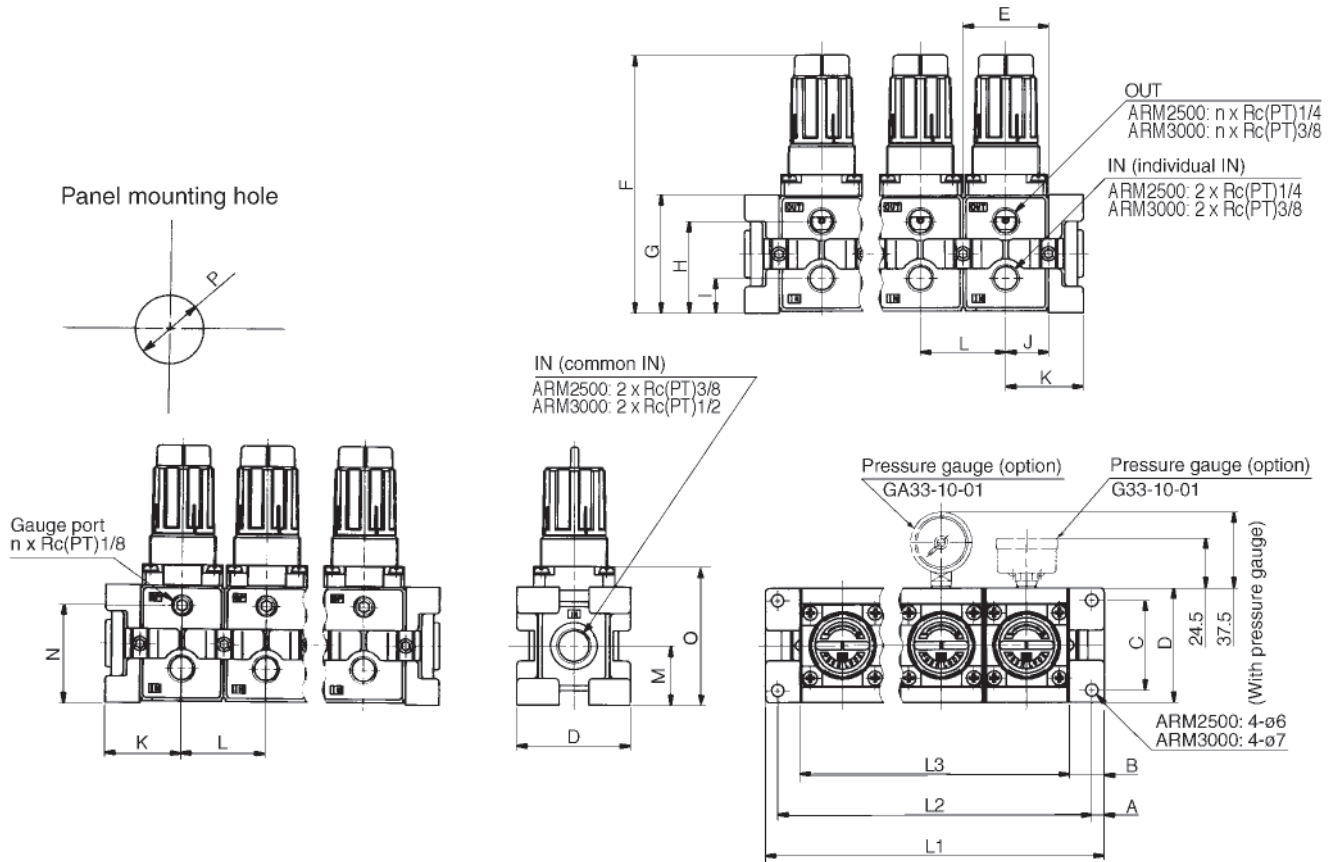
(2) When regulators, end plate assembly and bracket assembly are assembled to make the manifold of n stations.

- Regulator n pcs.
- Bracket ass'y n pcs.
- End plate ass'y 1 pc.



# ARM2500/3000

## Dimensions



## Dimensions

Model	Symbol	A	B	C	D	E	F	G	H	I	J	K	L	M	N	O	P
<b>ARM2500</b>		6	17	44	56	42	126.5	58	45	17	21	38	42	29	48	68	33.5
<b>ARM3000</b>		7	21	54	68	55	153.5	70	53	23.5	27.5	48.5	55	35	59	85.5	42.5

## Dimensions by Number of Stations

Model	Symbol	Manifold stations								
		2	3	4	5	6	7	8	9	10
<b>ARM2500</b>	L1	118	160	202	244	286	328	370	412	454
	L2	106	148	190	232	274	316	358	400	442
	L3	84	126	168	210	252	294	336	378	420
<b>ARM3000</b>	L1	152	207	262	317	372	427	482	537	592
	L2	138	193	248	303	358	413	468	523	578
	L3	110	165	220	275	330	385	440	495	550