

Speed Controller: Standard Type

Series AS

In-line Push Locking Type

Lock speed setting, with the touch of a button

It can be locked only by pushing the handle after adjustment.

Convenient opening indication scale

The opening indication scale for the needle valve is provided on the handle to facilitate speed adjustments.

Easy speed control at low flow volume ranges

Possible to control the mass velocity

Constant handle constructed of metal to withstand heavy usage

In addition to the standard handle made of resin, a heavy-duty metal handle is also available.

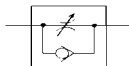
Retainer prevents an accidental loss of needle



Resin handle

Metal handle

JIS Symbol

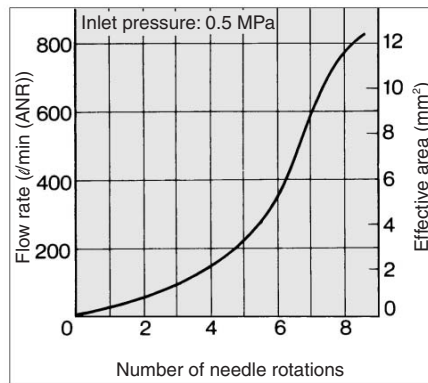


Model/Specifications

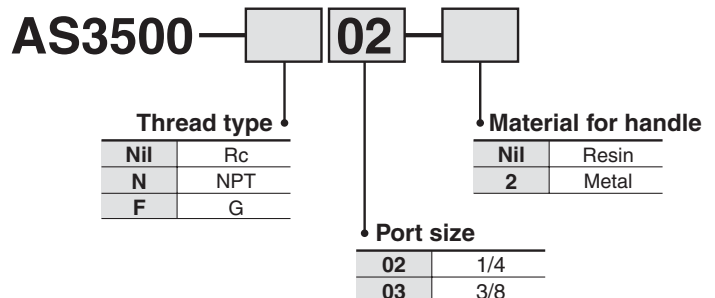
| Model | Resin handle | AS3500-02 | AS3500-03 |
|------------------------------------|-----------------------------------|--------------------------------|-------------|
| | Metal handle | AS3500-02-2 | AS3500-03-2 |
| Port size | | 1/4 | 3/8 |
| Applicable cylinder bore size (mm) | | 40, 50, 63 | |
| Proof pressure | | 1.5 MPa | |
| Max. operating pressure | | 1 MPa | |
| Min. operating pressure | | 0.05 MPa | |
| Ambient and fluid temperature | | -5 to 60°C (No freezing) | |
| Number of needle rotation | | 8 turns | |
| Weight | | 130 g (Metallic handle: 140 g) | |
| Free flow | Flow rate (l/min (ANR)) | 810 | |
| | Effective area (mm ²) | 12.3 | |
| Controlled flow | Flow rate (l/min (ANR)) | 810 | |
| | Effective area (mm ²) | 12.3 | |

Note) Flow rate values are measured at 0.5 MPa and 20°C.

Needle Valve/Flow Characteristics AS3500



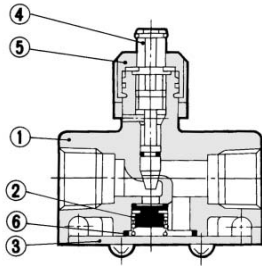
How to Order



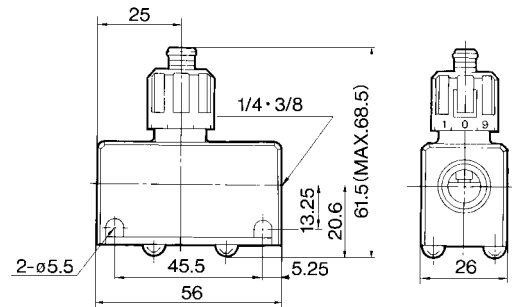
⚠ Caution

Be sure to read before handling. Refer to pages 15-18-3 to 15-18-4 for Safety Instructions and Common Precautions on the products mentioned in this catalog, and refer to pages 15-8-6 to 15-8-8 for Precautions on every series.

Construction



Dimensions



Component Parts

| No. | Description | Material | Note |
|-----|-------------|----------------|---------------------------|
| ① | Body | Aluminum alloy | Chromate plated |
| ② | Valve | NBR | |
| ③ | Cap | Rolled steel | Electroless nickel plated |
| ④ | Needle | Brass | |
| ⑤ | Handle | POM | Black |
| | | Zinc alloy | Black |

Replacement Parts

| No. | Description | Material | Part no. |
|-----|-------------|----------|----------|
| ⑥ | O-ring | NBR | 14284 |

AS

ASP

ASN

AQ

ASV

AK

ASS

ASR

ASF