

Tamper Proof Speed Controller Standard Type

Series AS□2□0-T

Elbow Type (Metal Body)



Model/ Specifications

Specifications	Model	AS12□0-M5	AS12□0-U10/32	AS22□0-□01	AS22□0-□02	AS32□0-□02	AS32□0-□03	AS42□0-□04
Port size		M5 x 0.8	10-32 UNF	1/8	1/4	1/4	3/8	1/2
Applicable cylinder bore size (mm)		6, 10, 16, 20, 25		20, 25, 32, 40		32, 40, 50, 63		80, 100
Fluid		Air						
Proof pressure		1.5 MPa						
Max. operating pressure		1 MPa						
Min. operating pressure		0.1 MPa						
Ambient and fluid temperature		-5 to 60°C (No freezing)						
Number of needle rotations		8 turns		10 turns				
Controlled flow	Flow rate (l/min (ANR))	105		230	460	920		1700
	(Free flow) Effective area (mm ²)	1.6		3.5	7	14		26

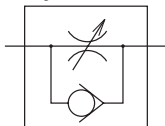
Note 1) Flow rate values are measured at 0.5 MPa and 20°C.

Note 2) Meter-out and meter-in types can be visually differentiated by the flow direction symbol on the resin body.

Note 3) Brass parts are all electroless nickel plated, provided as standard.

How to Order

JIS Symbol



AS 2 2 0 0 - 01 - S T

Body size

1	M5 standard
2	1/8, 1/4 standard
3	3/8 standard
4	1/2 standard

Type

2	Elbow
---	-------

Control

0	Meter-out
1	Meter-in

Tamper proof

Note) Speed controller requires a special tool for flow adjustment. Order separately with part number, AS-T-1.

With seal

Note) When connecting port is either M5 or 10-32 UNF thread, it is not available with seal. With gasket is provided as standard.

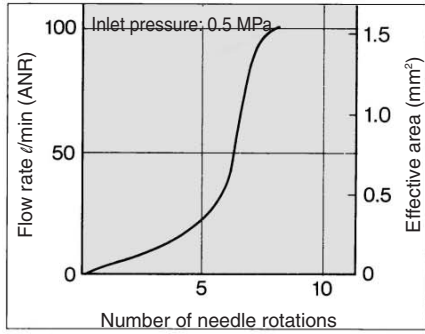
Port size

Symbol	Cylinder side	In the side of solenoid valve
M5	M5 x 0.8	M5 x 0.8
01	R 1/8	Rc 1/8
02	R 1/4	Rc 1/4
03	R 3/8	Rc 3/8
04	R 1/2	Rc 1/2
F01	R 1/8	G 1/8
F02	R 1/4	G 1/4
F03	R 3/8	G 3/8
F04	R 1/2	G 1/2
U10/32	10-32 UNF	10-32 UNF
N01	NPT 1/8	NPT 1/8
N02	NPT 1/4	NPT 1/4
N03	NPT 3/8	NPT 3/8
N04	NPT 1/2	NPT 1/2

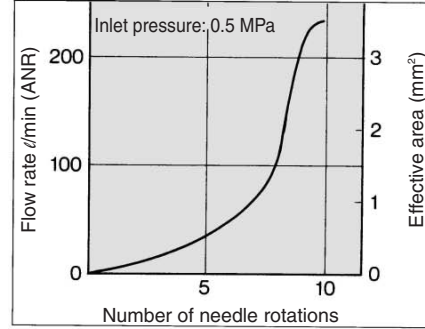
Tamper Proof Speed Controller Standard Type, Elbow Type (Metal Body)

Needle Valve/Flow Characteristics

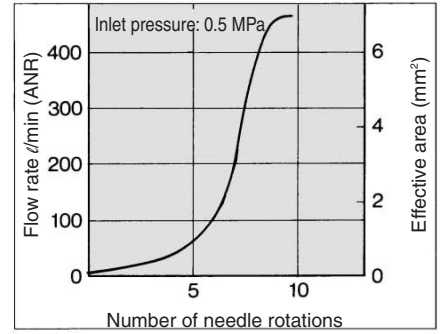
AS12□0-M5·AS12□0-U10/32



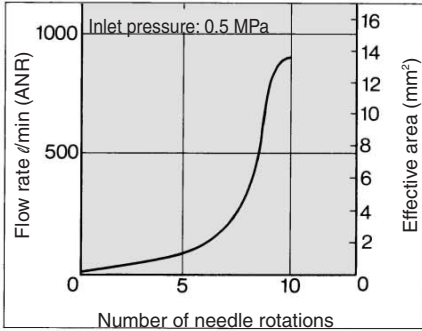
AS22□0-01



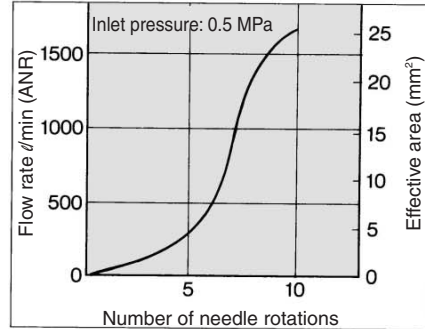
AS22□0-02



AS32□0

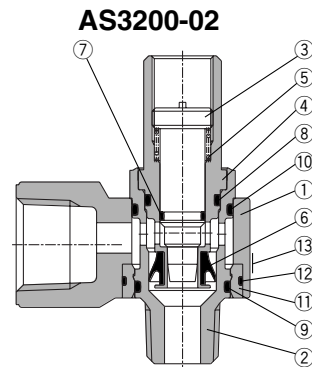
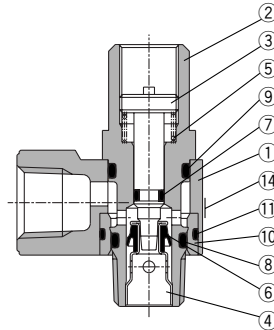
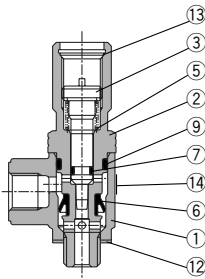


AS42□0

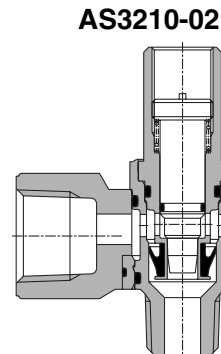
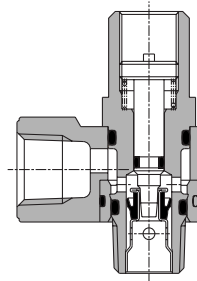
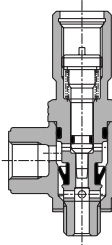


Construction

**Meter-out type
M5 type
U10/32 port**



**Meter-in type
M5 type
U10/32 port**



Component Parts

No.	Description	Material	Note
①	Body A	Zinc alloy	
②	Body B	Brass	Electroless nickel plated
③	Needle	Brass	Electroless nickel plated
④	Seat ring	Brass	Electroless nickel plated
⑤	Spring	Steel wire	
⑥	U seal	HNBR	
⑦	O-ring	NBR	

No.	Description	Material	Note
⑧	O-ring	NBR	
⑨	O-ring	NBR	
⑩	Bushing	PBT	
⑪	O-ring	NBR	
⑫	Gasket	NBR, Stainless steel	
⑬	Retaining ring for hole type C	Tool steel	

AS

ASP

ASN

AQ

ASV

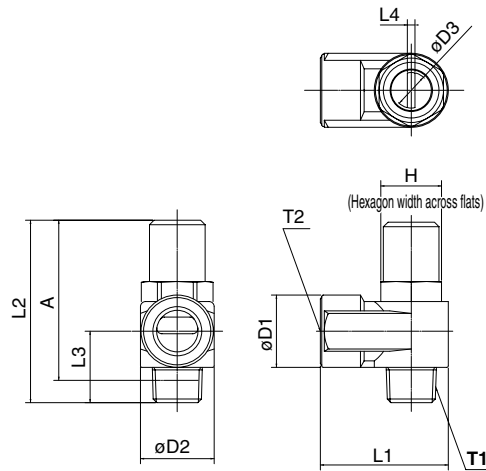
AK

ASS

ASR

ASF

Dimensions



Dimensions

Model	T1	T2	H	D1	D2	D3	L1	L2	L3	L4	A*
AS12□0-M5-T	M5 x 0.8	M5 x 0.8	8	9	9	4.5	10	31	10.3	0.7	27.4
AS12□0-U10/32-T	10-32 UNF	10-32 UNF									
AS22□0-01-ST	R 1/8	Rc 1/8	12	14.3	14.6	7	18	35.6	14.1	1.5	31.6
AS22□0-F01-ST		G 1/8									
AS22□0-N01-ST	NPT 1/8	NPT 1/8	12.7								
AS22□0-02-ST	R 1/4	Rc 1/4	17	18	19.5	7	27.2	40.7	18	1.5	36.7
AS22□0-F02-ST		G 1/4									
AS22□0-N02-ST	NPT 1/4	NPT 1/4	17.5								
AS32□0-02-ST	R 1/4	Rc 1/4	19	22.5	24.3	9.5	30	55.3	22.4	1.5	49.3
AS32□0-F02-ST		G 1/4									
AS32□0-N02-ST	NPT 1/4	NPT 1/4									
AS32□0-03-ST	R 3/8	Rc 3/8	19	22.5	24.3	9.5	30	53.7	20.8	1.5	47.4
AS32□0-F03-ST		G 3/8									
AS32□0-N03-ST	NPT 3/8	NPT 3/8									
AS42□0-04-ST	R 1/2	Rc 1/2	24	27.5	28.5	12	38.5	63.8	26.7	1.5	55.8
AS42□0-F04-ST		G 1/2									
AS42□0-N04-ST	NPT 1/2	NPT 1/2	23.8								

* Reference thread dimensions after installation.