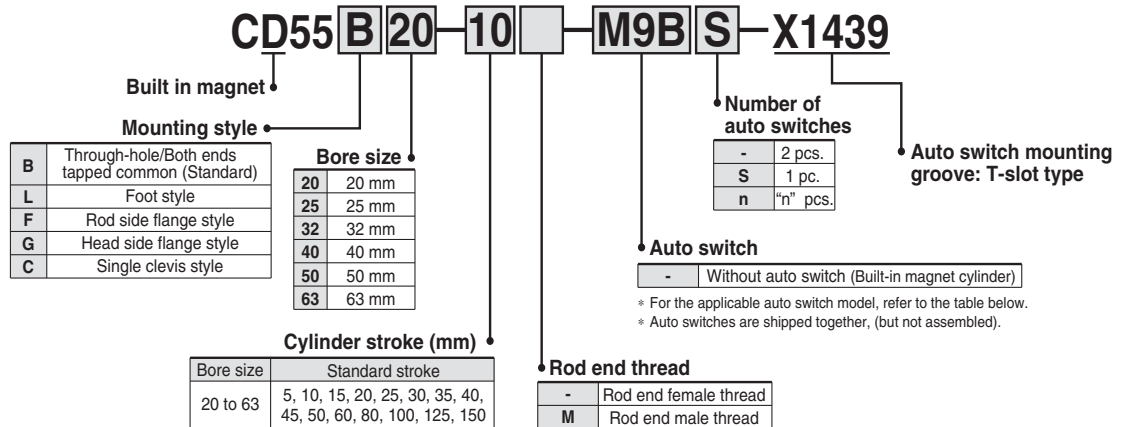


ISO Standard [ISO 21287]

04-IBD1-UK Issued: Jan. 2005
 D-DNP P-120 (DN)

Compact Cylinder/Auto switch mounting groove: T-slot type Series C55-X1439

■ Auto switch mounting groove: T-slot type



Applicable Auto Switches/Refer to the catalogue EUS20-184A-UK "ISO Standard [ISO 21287]/Compact Cylinder" for further information on auto switches.

Type	Special function	Electrical entry	Indicator light	Wiring (Output)	Load voltage			Auto switch model		Lead wire length (m) *			Pre-wired connector	Applicable load	
					DC	AC	Electrical entry direction		0.5 (Nil)	3 (L)	5 (Z)				
							Perpendicular	In-line							
Reed switch	—	Grommet	Yes	3-wire (NPN equivalent)	—	5 V	—	A96V	A96	●	●	—	—	IC circuit	Relay, PLC
				2-wire	24 V	12 V	100 V	A93V	A93	●	●	—	—	—	
					5 V, 12 V	100 V or less	A90V	A90	●	●	—	—	—	—	
Solid state switch	—	Grommet	Yes	3-wire (NPN)	24 V	5 V	—	M9NV	M9N	●	●	○	○	IC circuit	Relay, PLC
				3-wire (PNP)		12 V		M9PV	M9P	●	●	○	○		
				2-wire		12 V		M9BV	M9B	●	●	○	○		
				3-wire (NPN)		5 V		M9NWV	M9NW	●	●	○	○		
				3-wire (PNP)		12 V		M9PWV	M9PW	●	●	○	○		
				2-wire		12 V		M9BWV	M9BW	●	●	○	○		
								—	M9BA	—	●	○	—	—	

* Lead wire length symbols: 0.5 m Nil (Example) M9N
 3 m L (Example) M9NL
 5 m Z (Example) M9NZ

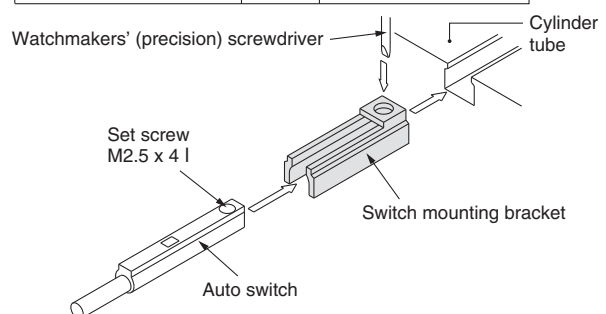
* ○ solid state auto switch is available after receiving an order.

Specifications

Type	Pneumatic (Non-lube)
Action	Double acting, Single rod
Fluid	Air
Proof pressure	1.5 MPa
Maximum operating pressure	1.0 MPa
Minimum operating pressure	0.05 MPa
Ambient and fluid temperature	Without auto switch: -10 to 70°C (No freezing) With auto switch: -10 to 60°C (No freezing)
Cushion	Rubber bumper on both end
Stroke length tolerance	+1.0 mm 0
Mounting	Through-hole/Both ends tapped common
Piston speed	50 to 500 mm/s

Auto Switch Mounting Bracket/Part No.

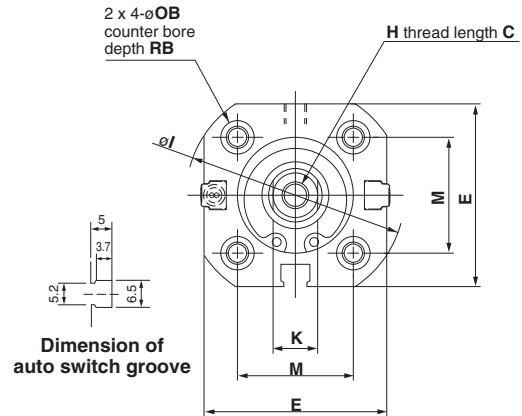
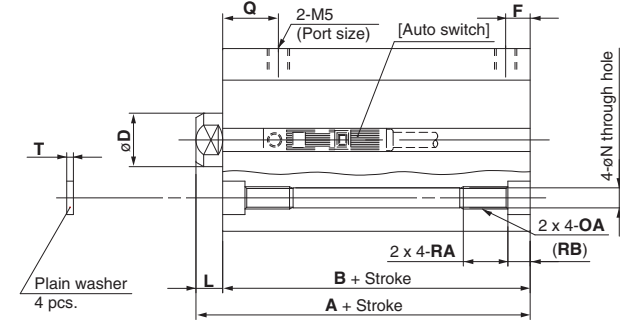
Mounting bracket part no.	Weight	Applicable auto switch
BMG2-012	3 g	Reed switch D-A9□ D-A9□V
		Solid state switch D-M9□ D-M9□V D-M9□W D-M9□WV D-M9BA



Series C55-X1439

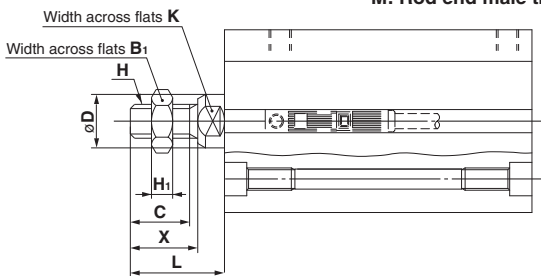
Dimensions

ø20, 25



M: Rod end male thread

Dimension of auto switch groove



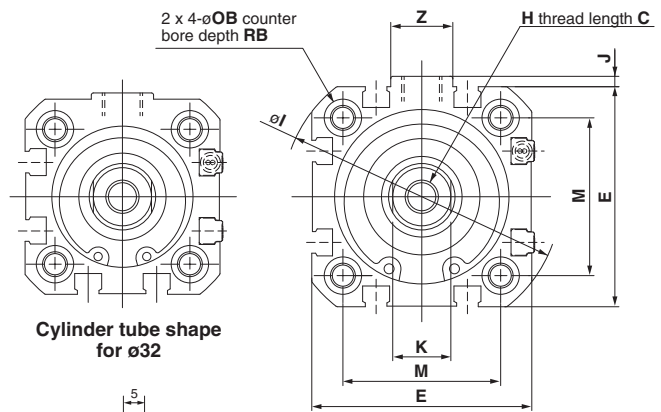
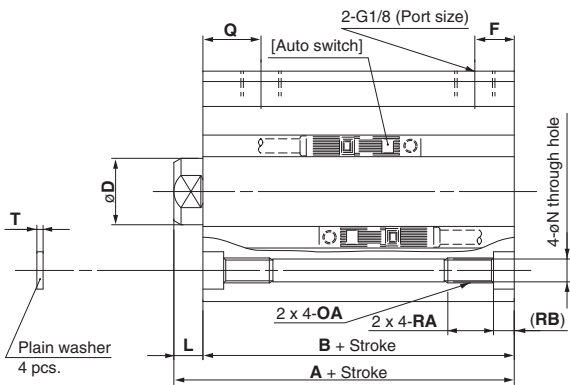
Rod End Male Thread

Bore size (mm)	B ₁	C	D	H	H ₁	K	L	X
20	13	14	10	M8	5	8	22	16
25	13	14	12	M8	5	10	22	16

Basic Style

Bore size (mm)	A	B	C	D	E	F	H	I	K	L	M	N	OA	OB	Q	RA	RB	T
20	43	37	10	10	38	5.5	M6	45	8	6	22	4.5	M5	7.5	13	10	5	0.8
25	45	39	10	12	41	5.5	M6	49	10	6	26	4.5	M5	7.5	13	10	5	0.8

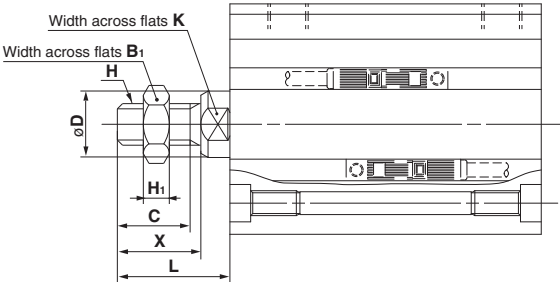
ø32 to ø63



M: Rod end male thread

Cylinder tube shape for ø32

Dimension of auto switch groove



Rod End Male Thread

Bore size (mm)	B ₁	C	D	H	H ₁	K	L	X
32	17	16.5	16	M10 x 1.25	6	14	26	19
40	17	16.5	16	M10 x 1.25	6	14	26	19
50	19	19.5	20	M12 x 1.25	7	17	30	22
63	19	19.5	20	M12 x 1.25	7	17	30	22

Basic Style

Bore size (mm)	A	B	C	D	E	F	H	I	J	K	L	M	N	OA	OB	Q	RA	RB	T	Z
32	51	44	12	16	47	8.5	M8	60	1.5	14	7	32.5	5.5	M6	9	14.5	11	5	1	15
40	52	45	12	16	53	9.5	M8	67	2.5	14	7	38	5.5	M6	9	14.5	11	5	1	17
50	53	45	16	20	64	10.5	M10	82	2	17	8	46.5	6.6	M8	10.5	13.5	15	5	1.6	17
63	57	49	16	20	74	14.5	M10	96	3	17	8	56.5	6.6	M8	10.5	15.5	15	5	1.6	17