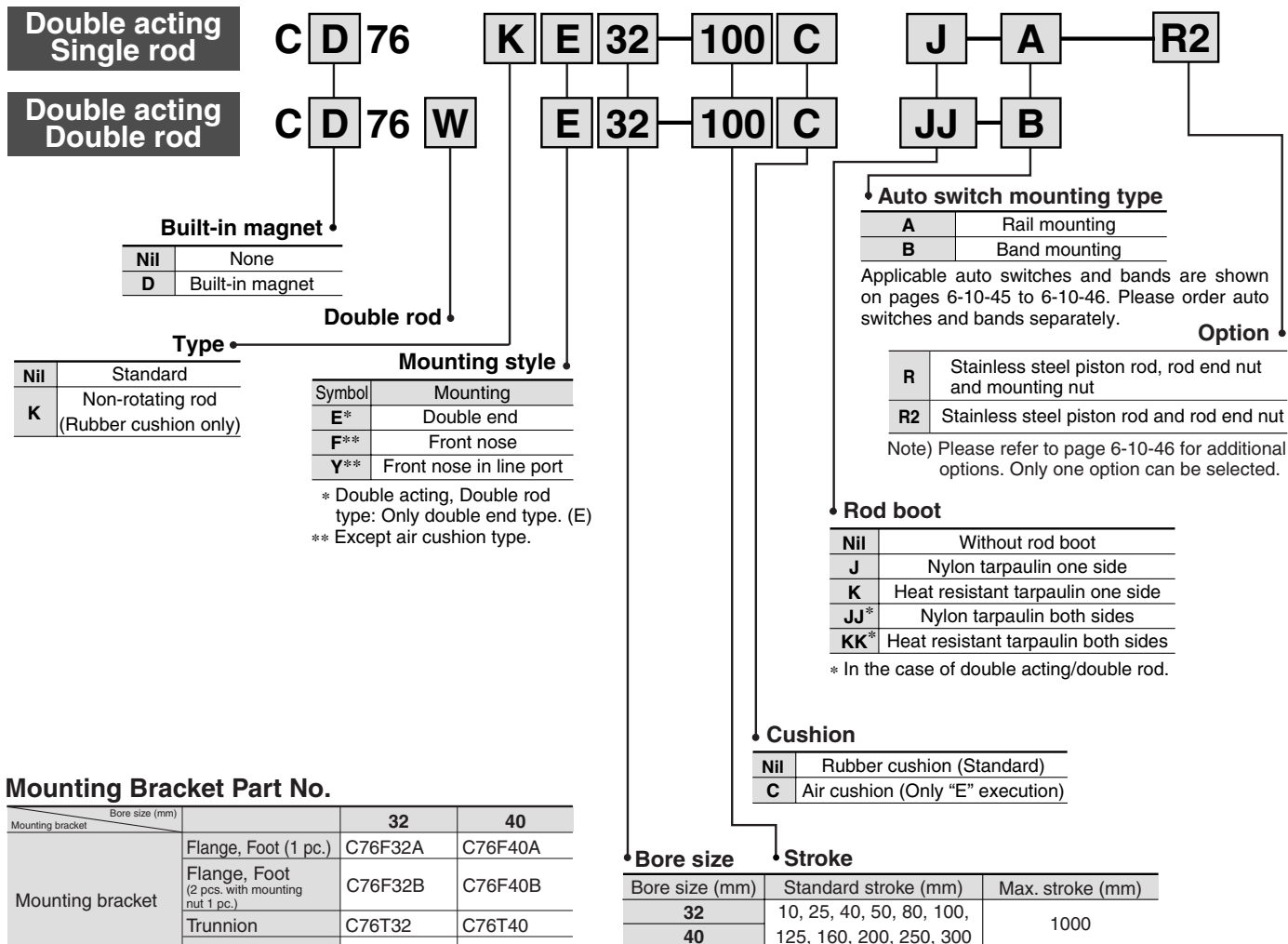


Cylinder: Standard/Non-rotating Type Double Acting, Single/Double Rod

Series C76

ø32, ø40

How to Order



Mounting Bracket Part No.

		Bore size (mm)	
Mounting bracket		32	40
Mounting bracket	Flange, Foot (1 pc.)	C76F32A	C76F40A
	Flange, Foot (2 pcs. with mounting nut 1 pc.)	C76F32B	C76F40B
	Trunnion	C76T32	C76T40
	Clevis	C76C32	C76C40
Accessory	Single knuckle joint	KJ10DA	KJ12DA
	Double knuckle joint	GKM10-20A	GKM12-24A
	Floating joint	JA25-10-150	JA40-12-175

Replacement Parts

Bore size (mm)	Part no.		Note
	Standard	Non-rotating	
32	C76-32PS	C76K-32PS	Every set includes: 1 rod seal 1 seal retaining washer
40	C76-40PS	C76K-40PS	

Suitable also C76 series

Example of How to Order

- Cylinder without auto switch, Bore size: 32, Stroke: 100, Double acting/Single rod and Double end type.
C76E32-100 1 pc. Cylinder
- Cylinder without auto switch, Bore size: 32, Stroke: 50, Double acting/Double rod type and Rod and head foot mounting.
C76WE32-50 1 pc. Cylinder
C76F32B 2 pcs. Foot bracket
- Cylinder with auto switch (Band mounted type, 2 pcs.), Bore size: 40, Stroke: 100, Double acting/Single rod, Front nose in line port type and Flange mounting.
CD76Y40-100-B 1 pc. Cylinder
C76F40A 1 pc. Flange mounting
D-C73L 2 pcs. Auto switch
BM2-040 2 pcs. For auto switch mounting band
- Cylinder with auto switch (Rail mounted type, 2 pcs.), Bore size: 40, Stroke: 50, Single acting/Spring return, Front nose type and Trunnion mounting.
CD76F40-50S-A 1 pc. Cylinder
C76T40 1 pc. Trunnion mounting
D-A73L 2 pcs. Auto switch
- Non-rotating: Cylinder without auto switch, Bore size: 32, Stroke: 100, Double acting/Single rod and Double end type.
C76KE32-100 1 pc. Cylinder

CJ1

CJP

CJ2

CM2

CG1

MB

MB1

CA2

CS1

C76

C85

C95

CP95

NCM

NCA

D-

-X

20-

Data

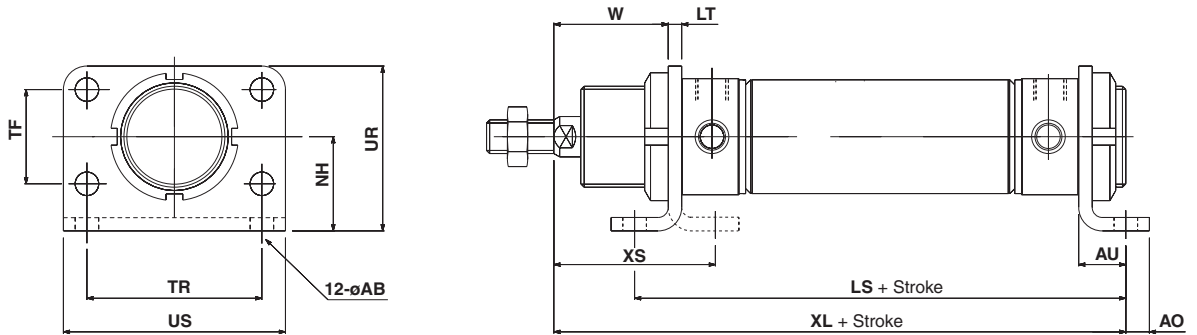
Series C76

Dimensions with Mounting Bracket

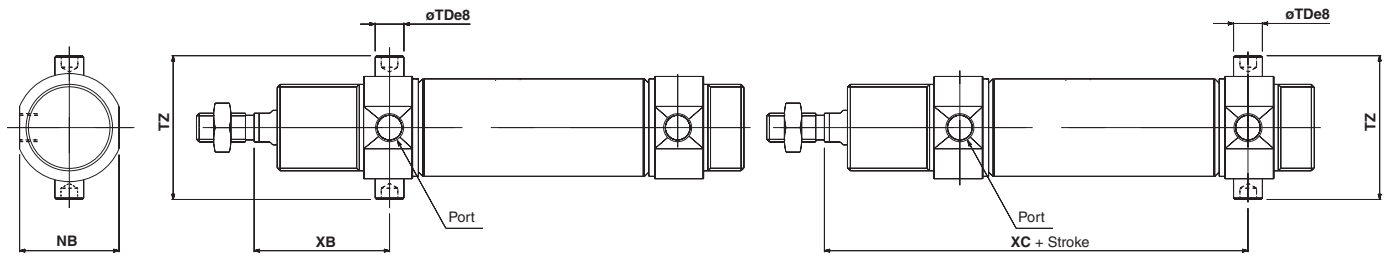
[First angle projection]

Double acting: Single rod

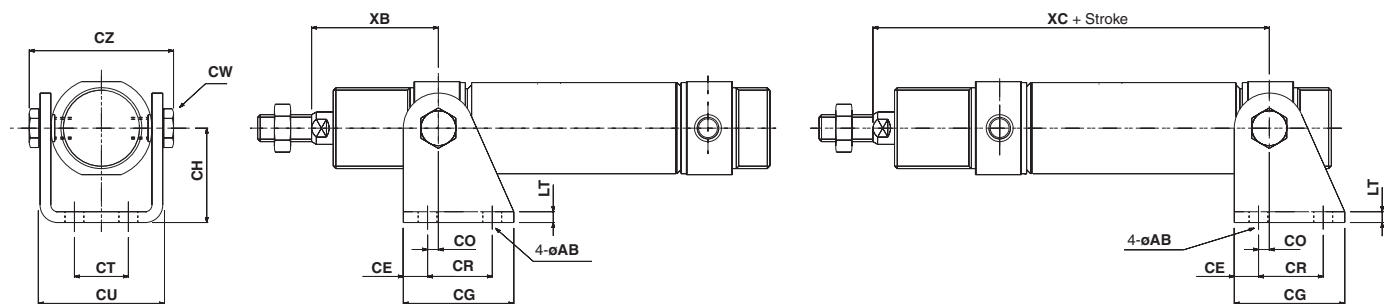
Rod foot (Flange), Rod and head foot: C76F32^A, C76F40^B



Rod trunnion, Head trunnion: C76T32, C76T40



Rod clevis, Head clevis: C76C32, C75C40



(mm)

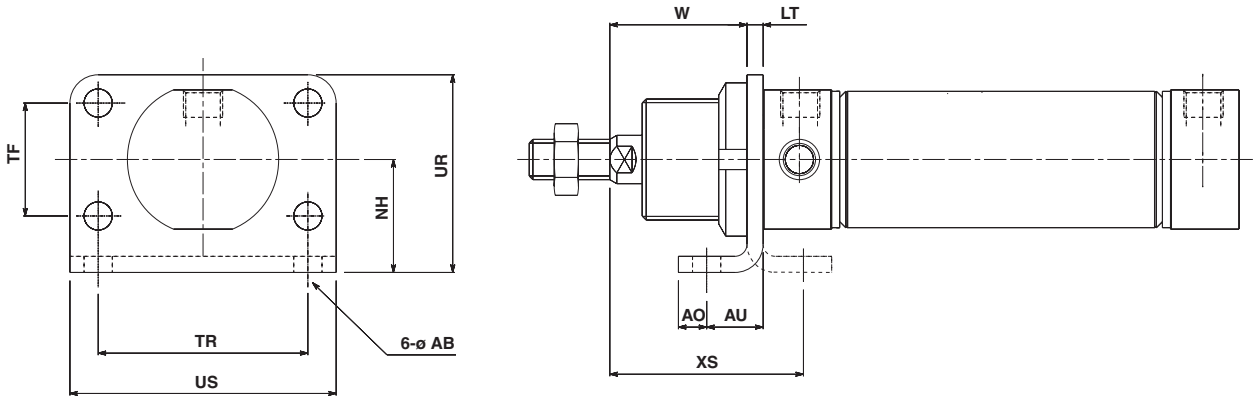
Bore	Rod foot (Flange)											Rod/Head trunnion					Rod clevis, Head clevis														
	øAB	AO	AU	LS	LT	NH	TF	TR	UR	US	W	XL	XS	NB	øTDe8	TZ	XB	XC	øAB	CE	CG	CH	CO	CR	CT	CU	CW	CZ	LT	XB	XC
32	7	7	14	96	4	28	28	52	49	66	34	120	48	34.5	10 ^{-0.025} _{-0.047}	47.9	47	97	7	9	41	35	4	24	20	46.8	13	57.9	4	47	97
40	9	10	20	129	5	33	30	60	58	80	40	154	60	42.5	12 ^{-0.032} _{-0.059}	59.3	57	122	9	12	52	40	3	30	28	58.2	17	72.3	5	57	122

Series C76

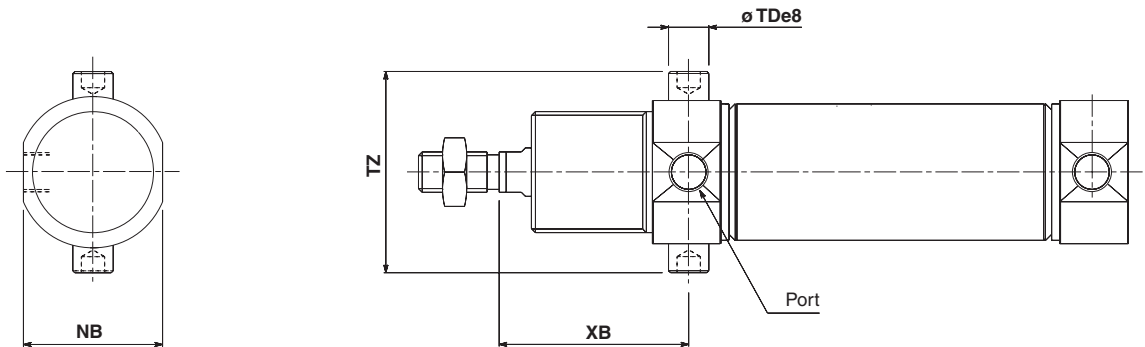
Dimensions with Mounting Bracket

[First angle projection]

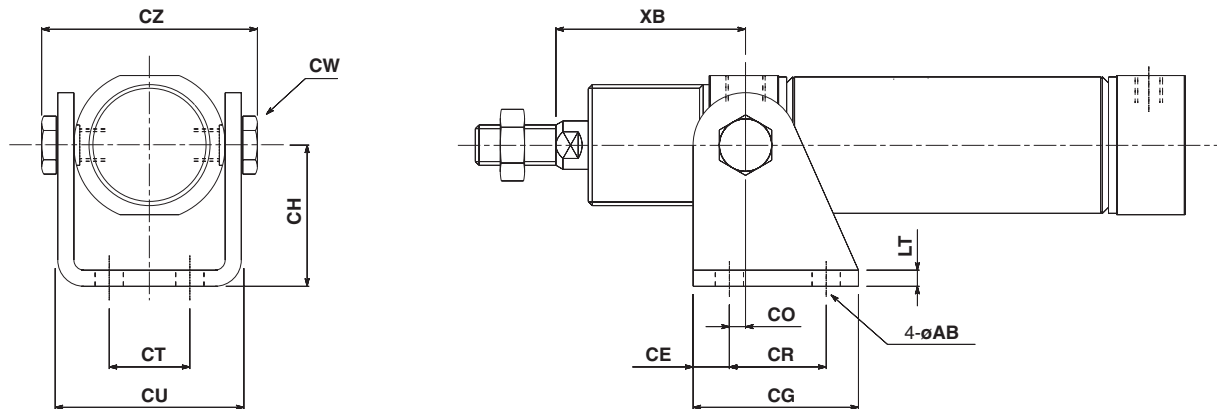
Double acting, Single rod
Rod foot (Flange): C76F32A, C76F40A



Rod trunnion: C76T32, C76T40



Rod clevis: C76C32, C76C40



Bore	Rod foot (Flange)									Rod trunnion					Rod clevis							(mm)					
	øAB	AO	AU	LT	NH	TF	TR	UR	US	W	XS	NB	øTDe8	TZ	XB	øAB	CE	CG	CH	CO	CR		CT	CU	CW	CZ	LT
32	7	7	14	4	28	28	52	49	66	34	48	34.5	10 ^{-0.025} -0.047	47.9	47	7	9	41	35	4	24	20	46.8	13	57.9	4	47
40	9	10	20	5	33	30	60	58	80	40	60	42.5	12 ^{-0.032} -0.059	59.3	57	9	12	52	40	3	30	28	58.2	17	72.3	5	57

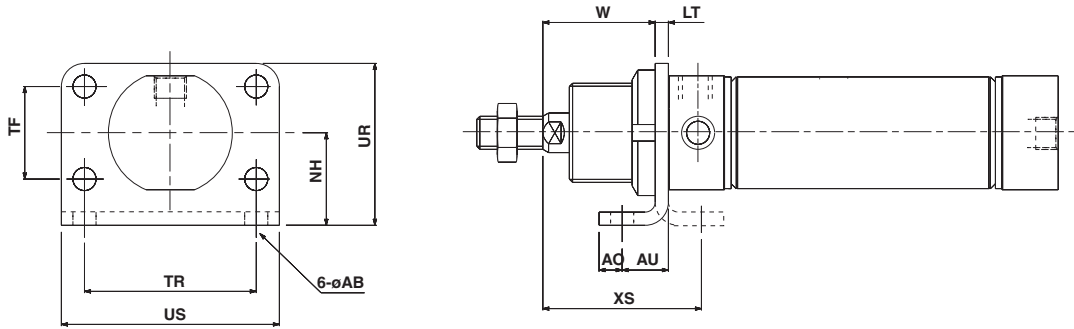
Series C76

Dimensions with Mounting Bracket

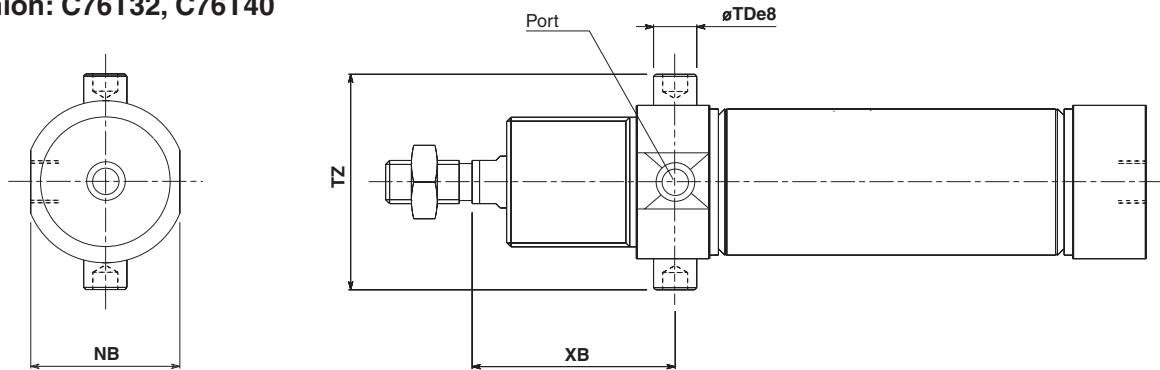
[First angle projection]

Double acting, Single rod

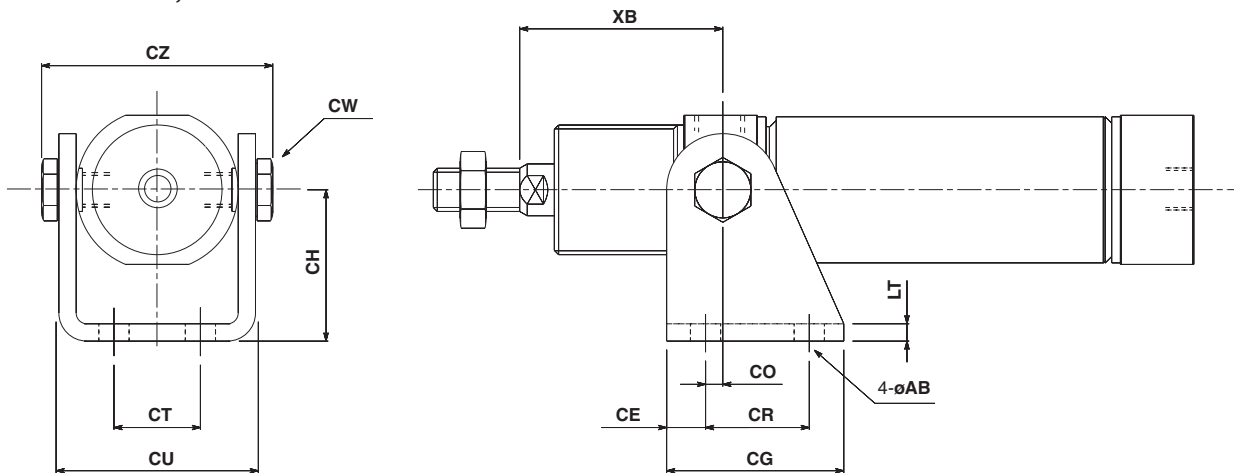
Rod foot (Flange): C76F32A, C76F40A



Rod trunnion: C76T32, C76T40



Rod clevis: C76C32, C76C40



Bore	Rod foot (Flange)										Rod trunnion				Rod clevis								(mm)				
	φAB	AO	AU	LT	NH	TF	TR	UR	W	XS	NB	φTDe8	TZ	XB	φAB	CE	CG	CH	CO	CR	CT	CU		CW	CZ	LT	XB
32	7	7	14	4	28	28	52	49	66	34	48	34.5	10 ^{-0.025} -0.047	47.9	47	7	9	41	35	4	24	20	46.8	13	57.9	4	47
40	9	10	20	5	33	30	60	58	80	40	60	42.5	12 ^{-0.032} -0.059	59.3	57	9	12	52	40	3	30	28	58.2	17	72.3	5	57

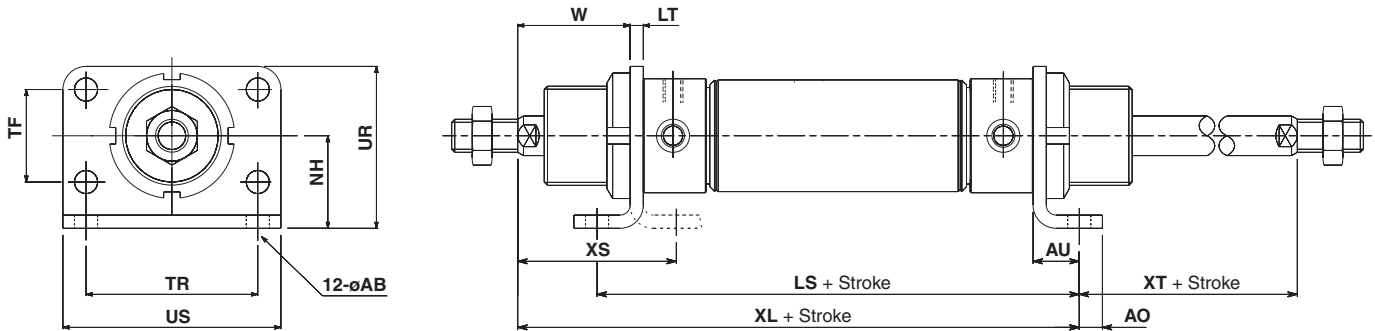
Series C76

Dimensions with Mounting Bracket

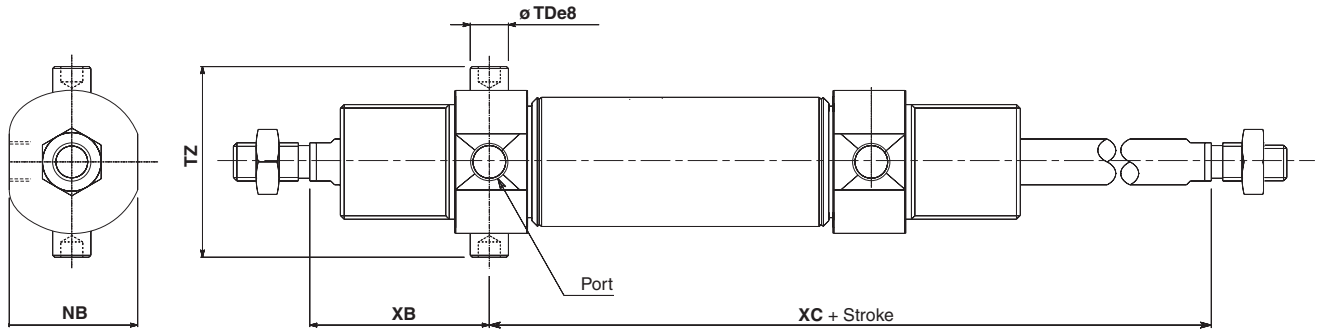
[First angle projection]

Double acting: Double rod

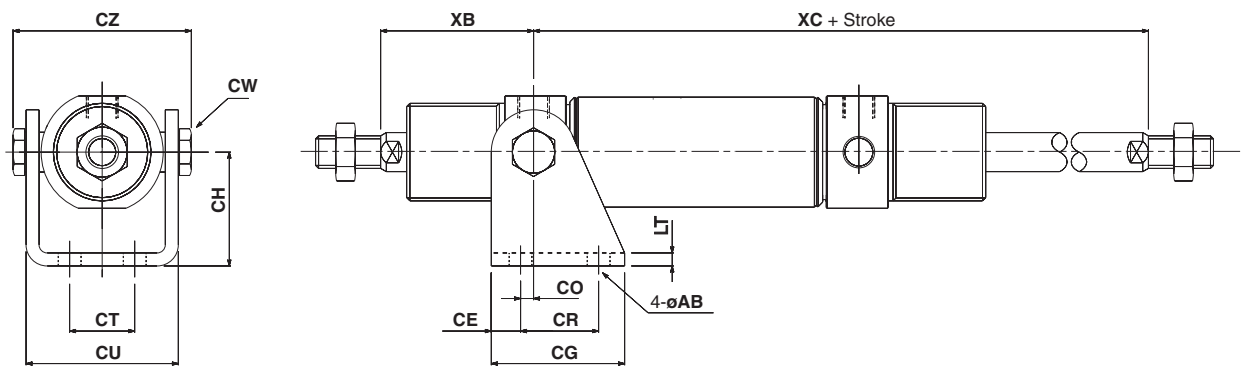
Rod foot (Flange), Rod and head foot: C76F32^A, C76F40^A



Rod trunnion, Head trunnion: C76T32, C76T40



Clevis: C76C32, C75C40



(mm)

Bore	Rod foot (Flange)										Rod/Head trunnion					Clevis																
	øAB	AO	AU	LS	LT	NH	TF	TR	UR	US	W	XL	XS	XT	NB	øTDe8	TZ	XB	XC	øAB	CE	CG	CH	CO	CR	CT	CU	CW	CZ	LT	XB	XC
32	7	7	14	96	4	28	28	52	49	66	34	120	48	24	34.5	10 ^{-0.025} -0.047	47.9	47	97	7	9	41	35	4	24	20	46.8	13	57.9	4	47	97
40	9	10	20	129	5	33	30	60	58	80	40	154	60	25	42.5	12 ^{-0.032} -0.059	59.3	57	122	9	12	52	40	3	30	28	58.2	17	72.3	5	57	122