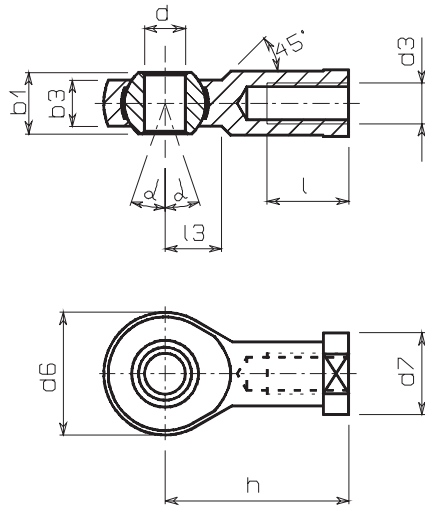


Cylinder: Standard/Non-rotating Type Double Acting, Single/Double Rod **Series C76**

Accessory Dimensions

[First angle projection]

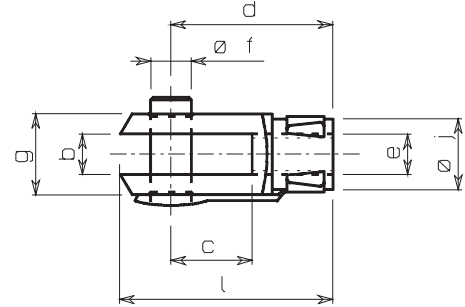
Single Knuckle Joint/DIN648



(mm)

Bore	Model	Thread	d3	dH71	h	d6	b3	b1	l	d7	α°	l3
32	KJ10DA	M10 x 1.5	10	43	20	10.5	14	20	19	13	14	
40	KJ12DA	M12 x 1.75	12	50	30	12	16	22	22	13	16	

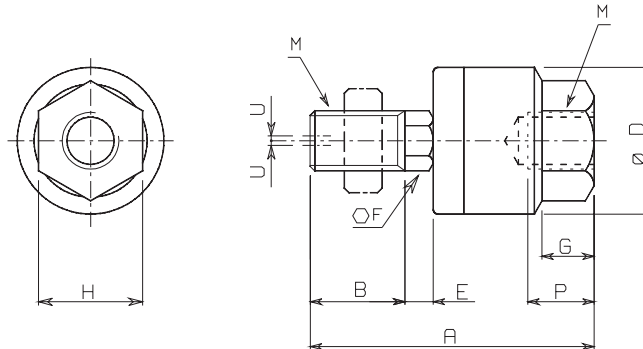
Double Knuckle Joint/DIN71751



(mm)

Bore	Model	Thread	e	b	d	f	g	c	j	a
32	GKM10-20A	M10 x 1.5	10	40	10	18	20	12	20	
40	GKM12-24A	M12 x 1.75	12	48	12	23	24	15	24	

Floating joint/Series JA JA25/40



(mm)

Bore	Model	M		A	B	D	E	F	G	H	Maximum screwed depth P	Allowable eccentricity U	Max. operating tension and compression power (kN)
		Nominal thread dia.	Pitch										
32	JA25-10-150	10	1.5	49.5	19.5	24	5	8	8	17	9	0.5	2.5
40	JA40-12-175	12	1.75	60	20	31	6	11	11	22	13	0.75	4.4

CJ1

CJP

CJ2

CM2

CG1

MB

MB1

CA2

CS1

C76

C85

C95

CP95

NCM

NCA

D-

-X

20-

Data