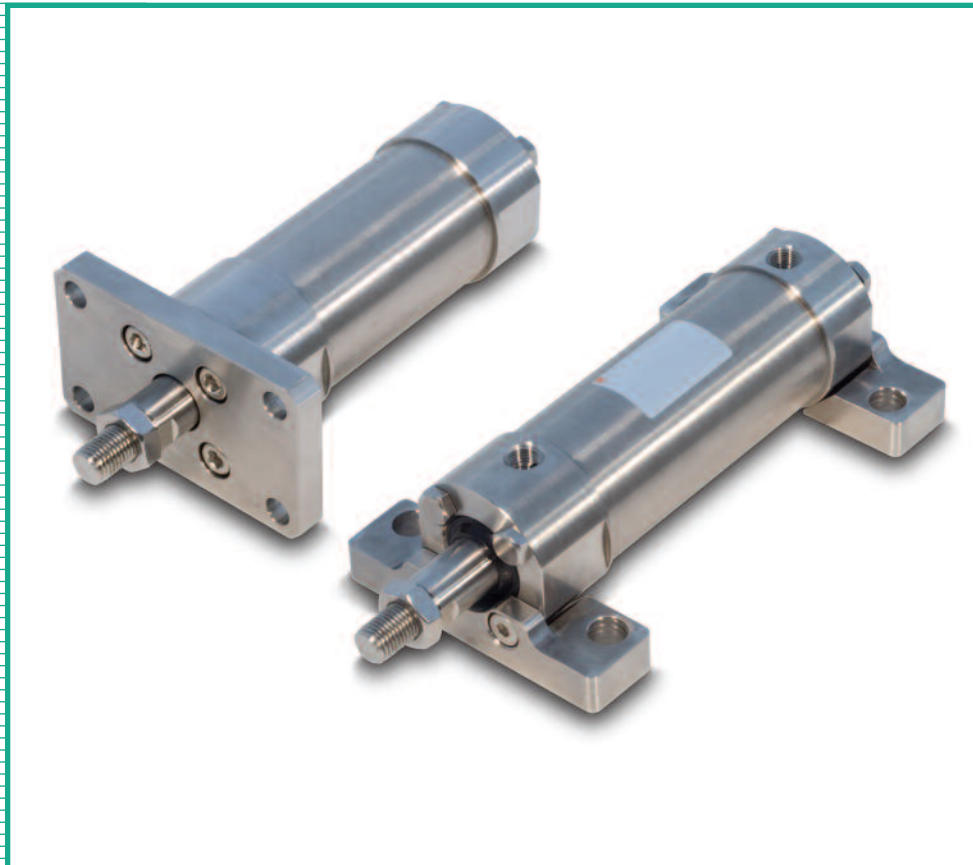




Series **CG5-X6011**

**NFPA Mounting Interchangeable
All SUS Air Cylinder**



Available in 5 bore sizes and 9 NFPA mounting options

Same quality features as the standard CG5

- All stainless steel (SUS 304) external metal parts
- Available with two types of seal material (NBR or FKM) to suit application
- Special scraper to prevent liquid from entering cylinder is standard
- Uses grease that meets FDA standards

Series CG5

How to Order

C D G5 X N 50 TNS R - 100 - X6011

• **Auto Switch**

Nil	Standard
D	With Auto Switch (Magnetic Piston)

• **Option**

X6011	CG NFPA
-------	---------

• **Mounting**

X	MP1	Double Rear Clevis
D	MP2	Double Detachable Rear Clevis
E	MP3	Single Rear Clevis
C	MP4	Single Detachable Rear Clevis
F	MF1	Front Flange
G	MF2	Rear Flange
L	MS1	End Angle
S	MS2	Side Lug
P	MS7	End Lug

• **Stroke (mm)**

Bore	Max Stroke
40	800
50	1200
63	1200
80	1400
100	1500

• **Cushion**

N	Rubber Bumper
A	Air Cushion

• **Seal Material**

R	NBR
V	Viton

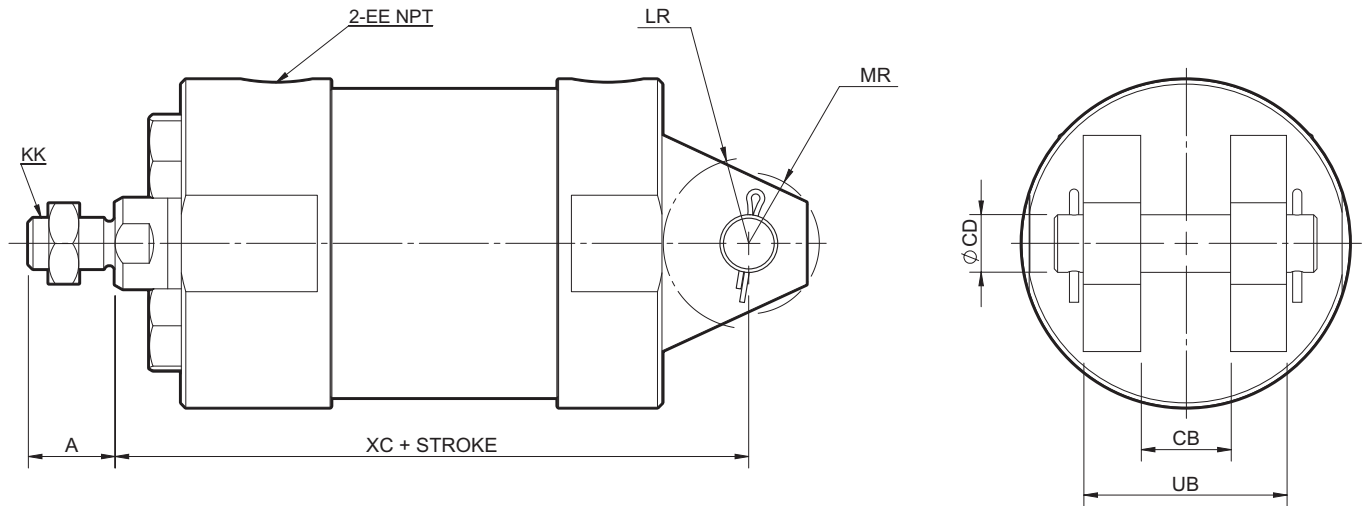
• **Bore (mm)**

	mm	In
40	40	1.50"
50	50	2.00"
63	63	2.50"
80	80	3.25"
100	100	4.00"

Specifications

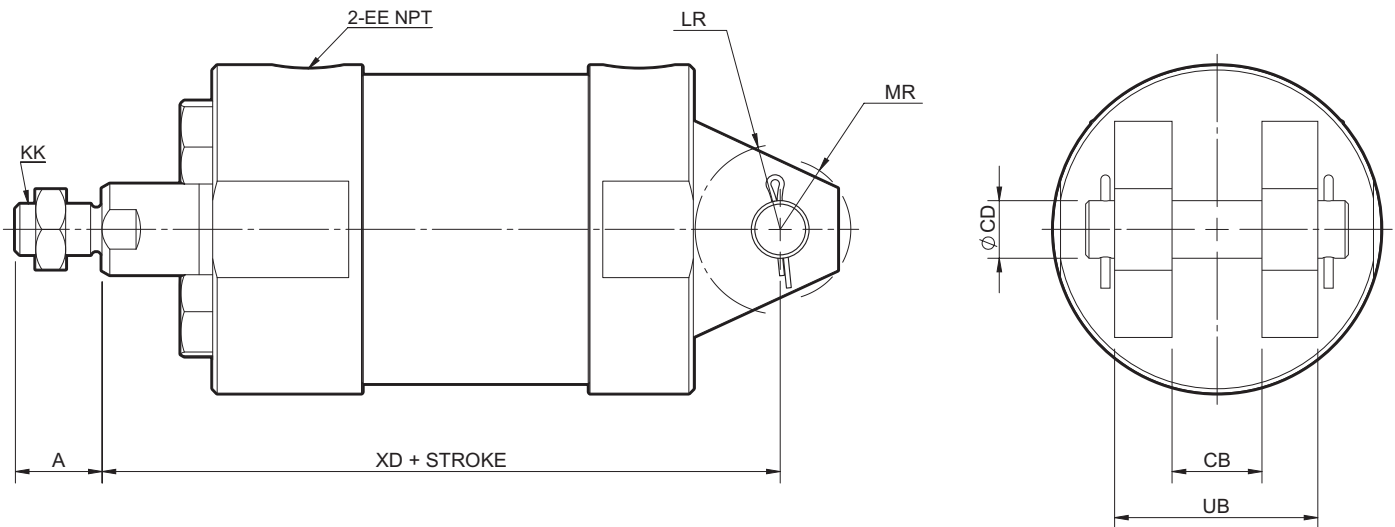
Action	Double acting single rod	
Fluid	Air	
Proof pressure	1.5MPa	
Maximum operating pressure	1.0MPa	
Minimum operating pressure	0.05MPa	
Ambient and fluid temperature	Without auto switch: -10 to 70°C, With auto switch: -10 to 60°C	
Cushion	Rubber bumper, Air cushion	
Piston speed	ø40 to ø63	50 to 1000mm/s
	ø80, ø100	50 to 700mm/s
Thread tolerance	JIS class 2	
Stroke length tolerance	ø40 to ø63	to 1000 ^{+1.4} ₀ mm, to 1200 ^{+1.5} ₀ mm
	ø80, ø100	to 1000 ^{+1.4} ₀ mm, to 1500 ^{+1.5} ₀ mm

Double Rear Clevis Mounting Type CG5X (MP1 Mounting Style)



BORE	A	CB	CD	EE	KK	LR	MR	UB	XC
40 (1.50")	0.75	0.78	0.50	1/8	7/16-20	0.75	0.63	1.75	5.38
50 (2.00")	0.75	0.78	0.50	1/4	7/16-20	0.75	0.63	1.75	5.38
63 (2.50")	0.75	0.78	0.50	1/4	7/16-20	0.75	0.63	1.75	5.50
80 (3.25")	1.13	1.28	0.75	3/8	3/4-16	1.25	0.94	2.50	6.88
100 (4.00")	1.13	1.28	0.75	1/2	3/4-16	1.25	0.94	2.50	6.88

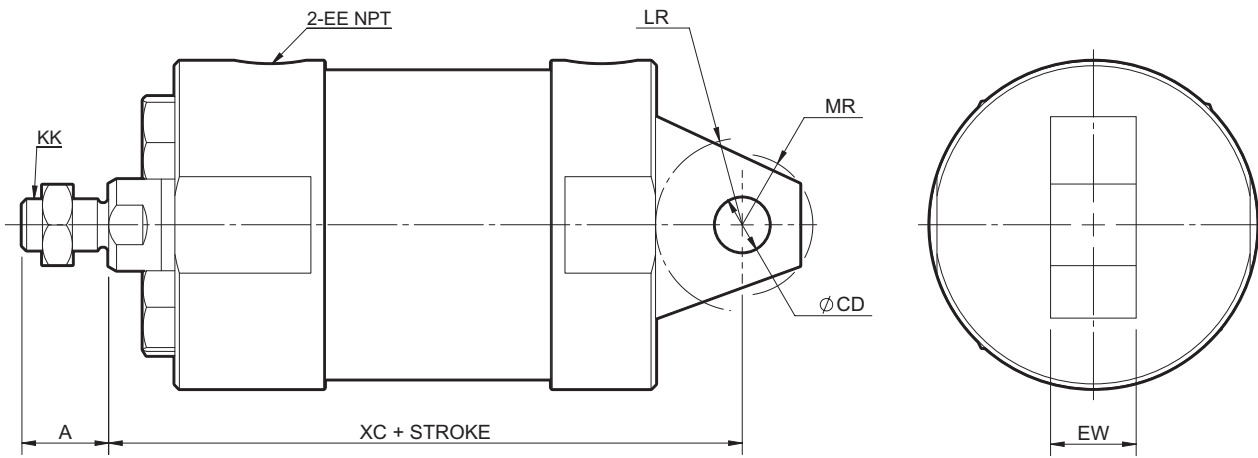
Double Rear Clevis Mounting Type CG5D (MP2 Mounting Style)



BORE	A	CB	CD	EE	KK	LR	MR	UB	XD
40 (1.50")	0.75	0.78	0.50	1/8	7/16-20	0.75	0.63	1.75	5.75
50 (2.00")	0.75	0.78	0.50	1/4	7/16-20	0.75	0.63	1.75	5.75
63 (2.50")	0.75	0.78	0.50	1/4	7/16-20	0.75	0.63	1.75	5.88
80 (3.25")	1.13	1.28	0.75	3/8	3/4-16	1.25	0.94	2.50	7.50
100 (4.00")	1.13	1.28	0.75	1/2	3/4-16	1.25	0.94	2.50	7.50

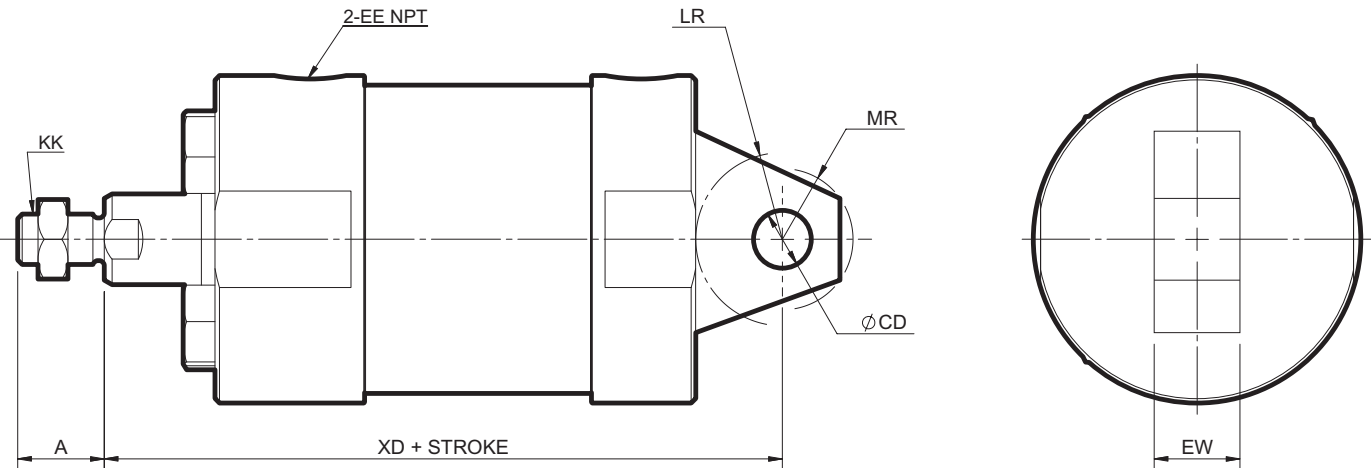
Series CG5

Single Rear Clevis Mounting Type CG5E (MP3 Mounting Style)



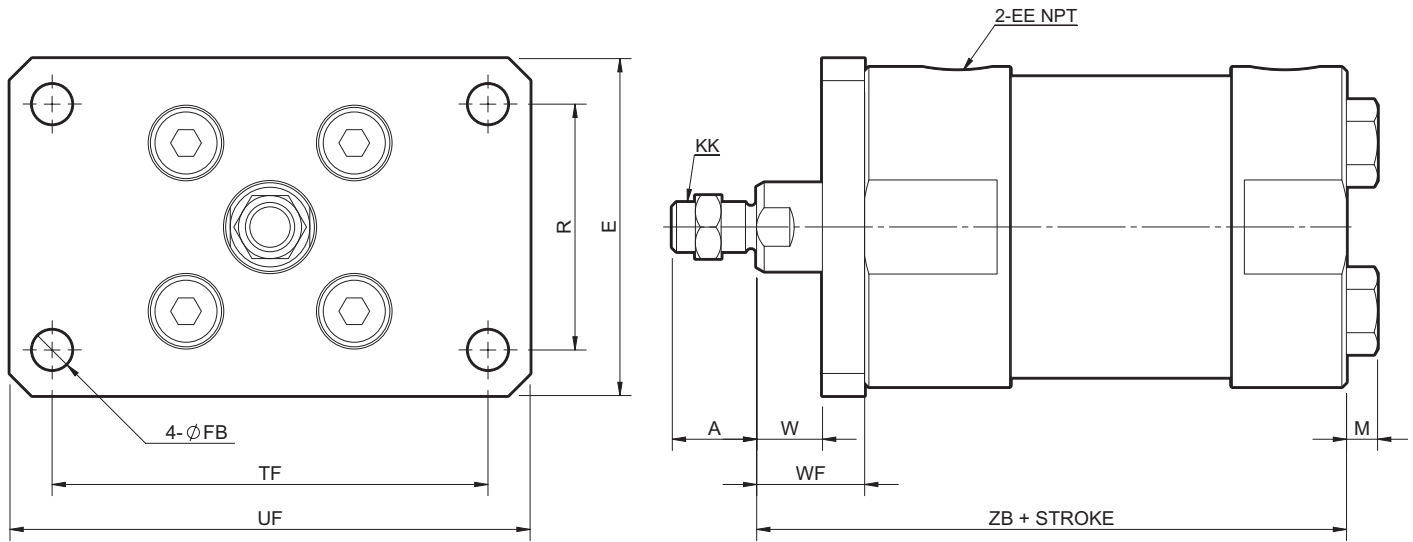
BORE	A	CD	EE	EW	KK	LR	MR	XC
40 (1.50")	0.75	0.50	1/8	0.75	7/16-20	0.75	0.63	5.38
50 (2.00")	0.75	0.50	1/4	0.75	7/16-20	0.75	0.63	5.38
63 (2.50")	0.75	0.50	1/4	0.75	7/16-20	0.75	0.63	5.50
80 (3.25")	1.13	0.75	3/8	1.25	3/4-16	1.25	0.94	6.88
100 (4.00")	1.13	0.75	1/2	1.25	3/4-16	1.25	0.94	6.88

Single Rear Clevis Mounting Type CG5C (MP4 Mounting Style)



BORE	A	CD	EE	EW	KK	LR	MR	XD
40 (1.50")	0.75	0.50	1/8	0.75	7/16-20	0.75	0.63	5.75
50 (2.00")	0.75	0.50	1/4	0.75	7/16-20	0.75	0.63	5.75
63 (2.50")	0.75	0.50	1/4	0.75	7/16-20	0.75	0.63	5.88
80 (3.25")	1.13	0.75	3/8	1.25	3/4-16	1.25	0.94	7.50
100 (4.00")	1.13	0.75	1/2	1.25	3/4-16	1.25	0.94	7.50

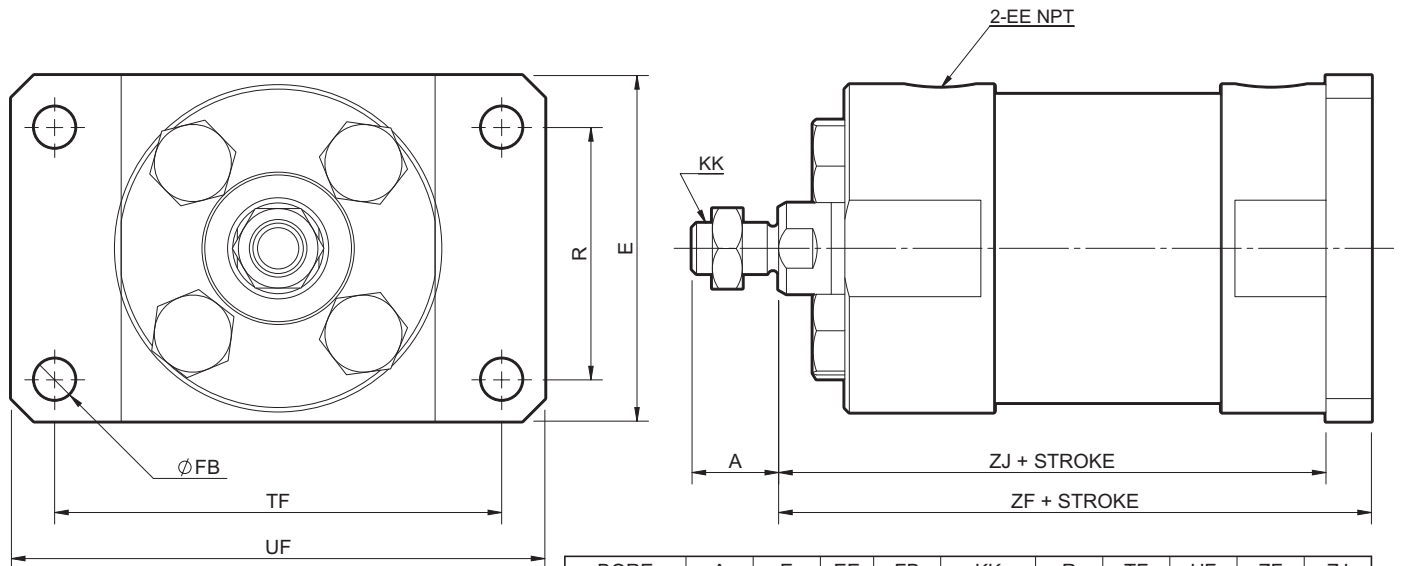
Front Flange Mounting Type CG5F (MF1 Mounting Style)



BORE	A	E	EE	FB	KK	M	R	TF	UF	W	WF	ZB
40 (1.50")	0.75	2.00	1/8	0.31	7/16-20	0.16	1.43	2.75	3.38	0.63	1.00	4.62
50 (2.00")	0.75	2.50	1/4	0.37	7/16-20	0.22	1.84	3.38	4.13	0.63	1.00	5.26*
63 (2.50")	0.75	3.00	1/4	0.37	7/16-20	0.28	2.19	3.88	4.63	0.63	1.00	5.25
80 (3.25")	1.13	3.75	3/8	0.44	3/4-16	0.28	2.76	4.68	5.50	0.75	1.38	6.51*
100 (4.00")	1.13	4.50	1/2	0.44	3/4-16	0.31	3.32	5.44	6.25	0.75	1.38	6.22*

* DENOTES DEVIATION FROM NFPA

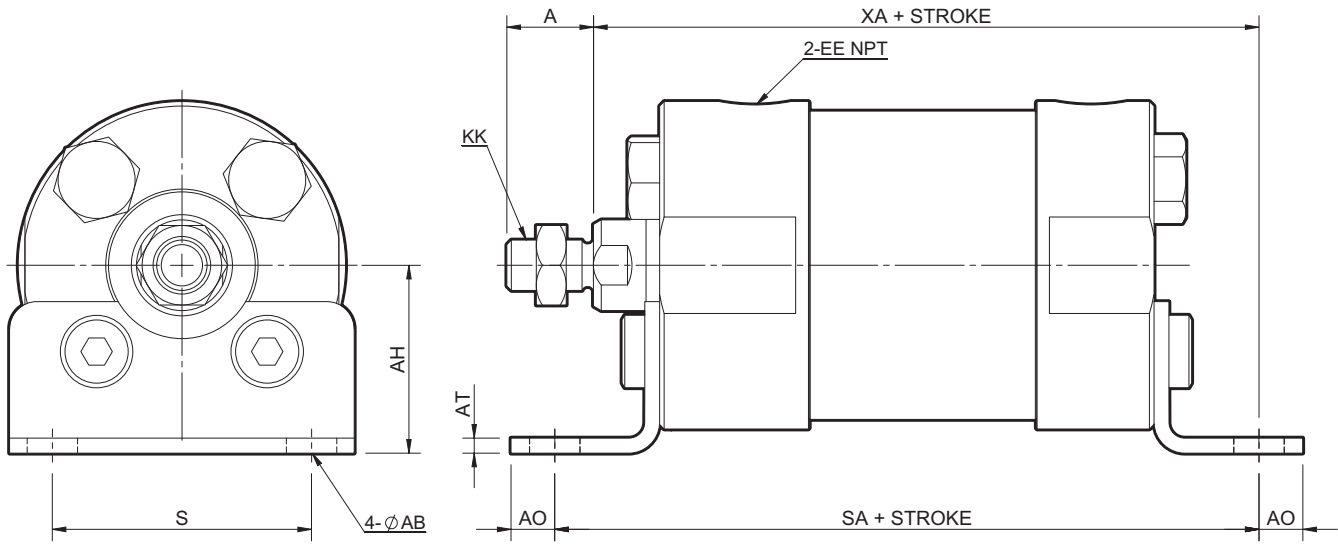
Rear Flange Mounting Type CG5G (MF2 Mounting Style)



BORE	A	E	EE	FB	KK	R	TF	UF	ZF	ZJ
40 (1.50")	0.75	2.00	1/8	0.31	7/16-20	1.43	2.75	3.38	5.00	4.63
50 (2.00")	0.75	2.50	1/4	0.37	7/16-20	1.84	3.38	4.13	5.00	4.63
63 (2.50")	0.75	3.00	1/4	0.37	7/16-20	2.19	3.88	4.63	5.13	4.75
80 (3.25")	1.13	3.75	3/8	0.44	3/4-16	2.76	4.68	5.50	6.25	5.63
100 (4.00")	1.13	4.50	1/2	0.44	3/4-16	3.32	5.44	6.25	6.25	5.63

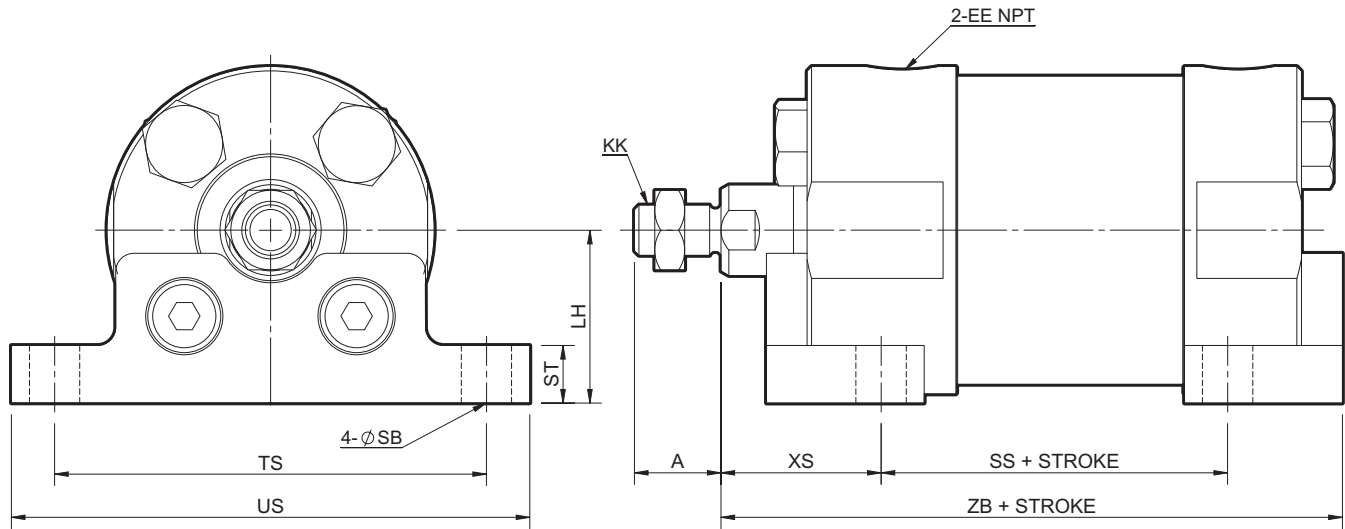
Series CG5

End Angle Mounting Type CG5L (MS1 Mounting Style)



BORE	A	AB	AH	AO	AT	EE	KK	S	SA	XA
40 (1.50")	0.75	0.44	1.18	0.38	0.13	1/8	7/16-20	1.25	6.00	5.63
50 (2.00")	0.75	0.44	1.44	0.38	0.13	1/4	7/16-20	1.75	6.00	5.63
63 (2.50")	0.75	0.44	1.63	0.38	0.13	1/4	7/16-20	2.25	6.13	5.75
80 (3.25")	1.13	0.56	1.94	0.50	0.13	3/8	3/4-16	2.75	7.38	6.88
100 (4.00")	1.13	0.56	2.25	0.50	0.19	1/2	3/4-16	3.50	7.38	6.88

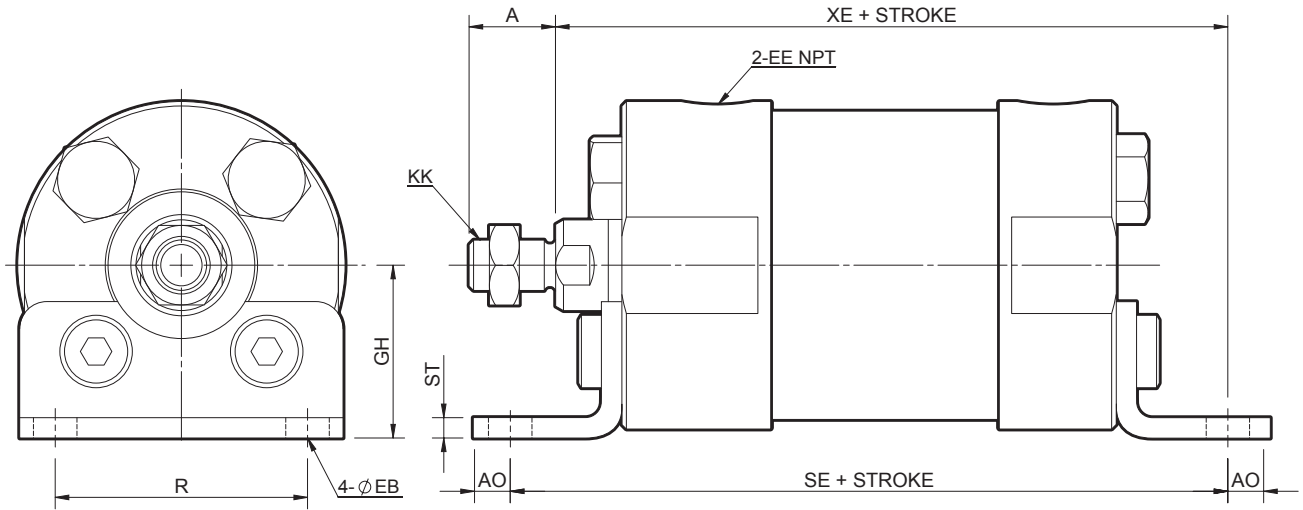
Side Lug Mounting Type CG5S (MS2 Mounting Style)



BORE	A	EE	KK	LH	SB	SS	ST	TS	US	XS	ZB
40 (1.50")	0.75	1/8	7/16-20	1.00	0.41	2.88	0.50	2.75	3.50	1.38	4.91
50 (2.00")	0.75	1/4	7/16-20	1.25	0.44*	2.88	0.50	3.25	4.00	1.38	5.32*
63 (2.50")	0.75	1/4	7/16-20	1.50	0.44*	3.00	0.50	3.75	4.50	1.38	5.39*
80 (3.25")	1.13	3/8	3/4-16	1.88	0.56*	3.25	0.75	4.75	5.75	1.88	6.41*
100 (4.00")	1.13	1/2	3/4-16	2.25	0.56*	3.25	0.75	5.50	6.50	1.88	6.48*

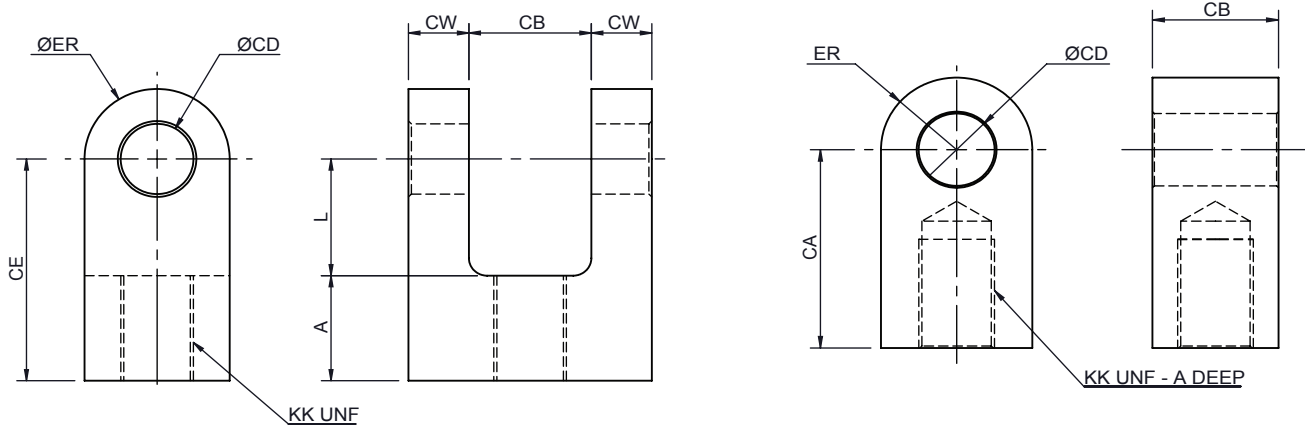
* DENOTES DEVIATION FROM NFPA

End Lug Mounting Type CG5P (MS7 Mounting Style)



BORE	A	AO	EB	EE	GH	KK	R	SE	ST	XE
40 (1.50")	0.75	0.25	0.31	1/8	1.00	7/16-20	1.43	5.50	0.13*	5.38
50 (2.00")	0.75	0.31	0.38	1/4	1.25	7/16-20	1.84	5.88	0.13*	5.56
63 (2.50")	0.75	0.31	0.38	1/4	1.50	7/16-20	2.19	6.25	0.18*	5.81
80 (3.25")	1.13	0.38	0.44	3/8	1.88	3/4-16	2.76	6.63	0.25*	6.50
100 (4.00")	1.13	0.38	0.44	1/2	2.25	3/4-16	3.32	6.88	0.31*	6.63

Rod End Accessories

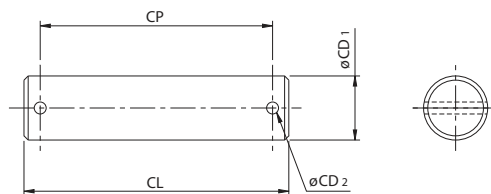


Rod Clevis

Part No.	CB	CD	CE	CW	L	A	KK	ER
NY-150SUS	0.765	0.50	1.50	0.50	0.75	0.75	7/16-20	0.50
NY-325SUS	1.265	0.75	2.38	0.63	1.25	1.13	3/4-16	0.75

Rod Eye

Part No.	A	CA	CB	CD	ER	KK
NI-150SUS	0.75	1.50	0.75	0.50	0.50	7/16-20
NI-325SUS	1.13	2.06	1.25	0.75	0.75	3/4-16



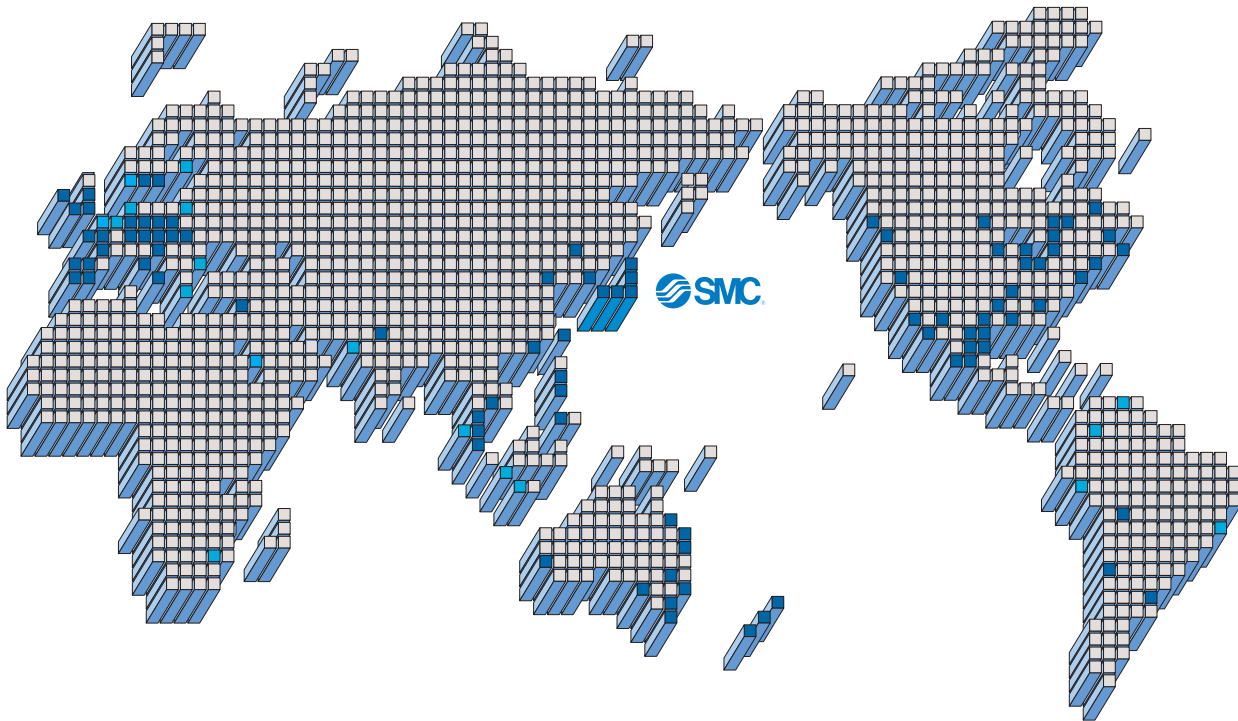
Pivot Pin

Part No.	CD ₁	CD ₂	CL	CP
NCDP-150-SUS	0.500 ^{±0.002}	0.106	2.28	1.94
NCDP-325-SUS	0.750 ^{±0.002}	0.140	3.10	2.72

Note: Cotter Pins are included.



SMC'S GLOBAL MANUFACTURING, DISTRIBUTION AND SERVICE NETWORK



EUROPE

AUSTRIA

SMC Pneumatik GmbH

CZECH

SMC Industrial Automation CZ s.r.o.

DENMARK

SMC Pneumatik A/S

FINLAND

SMC Pneumatics Finland Oy

FRANCE

SMC Pneumatique SA

GERMANY

SMC Pneumatik GmbH

HUNGARY

SMC Hungary Ipari Automatizálási Kft.

IRELAND

SMC Pneumatics (Ireland) Ltd.

ITALY

SMC Italia S.p.A.

NETHERLANDS

SMC Pnuematics BV.

NORWAY

SMC Pneumatics Norway A/S

POLAND

SMC Industrial Automation Polska Sp.z.o.o.

ROMANIA

SMC Romania s.r.l.

RUSSIA

SMC Pneumatik LLC.

SLOVAKIA

SMC Priemyselná automatizácia, s.r.o.

EUROPE

SLOVENIA

SMC Industrijska Avtomatika d.o.o.

SPAIN/PORTUGAL

SMC España, S.A.

SWEDEN

SMC Pneumatics Sweden AB

SWITZERLAND

SMC Pneumatik AG.

UK

SMC Pneumatics (U.K.) Ltd.

ASIA

CHINA

SMC (China) Co., Ltd.

HONG KONG

SMC Pneumatics (Hong Kong) Ltd.

INDIA

SMC Pneumatics (India) Pvt. Ltd.

MALAYSIA

SMC Malaysia (S.E.A.) Sdn. Bhd.

PHILIPPINES

SMC Pneumatics (Philippines), Inc.

SINGAPORE

SMC Pneumatics (S.E.A.) Pte. Ltd.

SOUTH KOREA

SMC Pneumatics Korea Co., Ltd.

TAIWAN

SMC Pneumatics (Taiwan) Co., Ltd.

THAILAND

SMC Thailand Ltd.

NORTH AMERICA

CANADA

SMC Pneumatics (Canada) Ltd.

MEXICO

SMC Corporation (Mexico) S.A. de C.V.

USA

SMC Corporation of America

SOUTH AMERICA

ARGENTINA

SMC Argentina S.A.

BOLIVIA

SMC Pneumatics Bolivia S.R.L.

BRAZIL

SMC Pneumaticos Do Brazil Ltda.

CHILE

SMC Pneumatics (Chile) S.A.

VENEZUELA

SMC Neumatica Venezuela S.A.

OCEANIA

AUSTRALIA

SMC Pneumatics (Australia) Pty. Ltd.

NEW ZEALAND

SMC Pneumatics (N.Z.) Ltd.

SMC Corporation

Akihabara UDX 15F, 4-14-1, Sotokanda, Chiyoda-ku,
Tokyo 101-0021, Japan
Phone: 03-5207-8271 Fax: 03-5298-5361
URL <http://www.smcworld.com>

SMC Corporation of America

10100 SMC Boulevard Noblesville, IN 46060, U.S.A.
Phone: 317-899-4440 Fax: 317-899-3102
URL <http://www.smcusa.com>