



Air Cylinder Series CJ1

Double Acting: $\phi 4$ /Single Acting Spring Return: $\phi 2.5, \phi 4$

Variations

Series	Action	Bore size (mm)	Standard stroke (mm)	Page
Standard Series CJ1 	Double acting	Single rod 4	5, 10, 15, 20	1.1-2
	Single acting	Single rod Spring return 2.5 4	5, 10 5, 10, 15, 20	1.1-4

CJ1

CJP

CJ2

CM2

C85

CG1

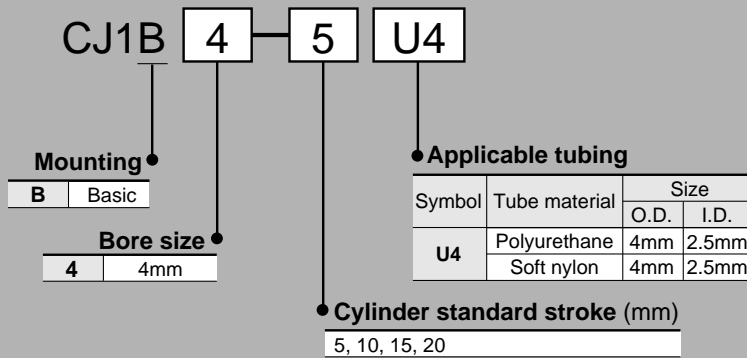
MB

C95

CA1

CS1

How to Order/Double Acting

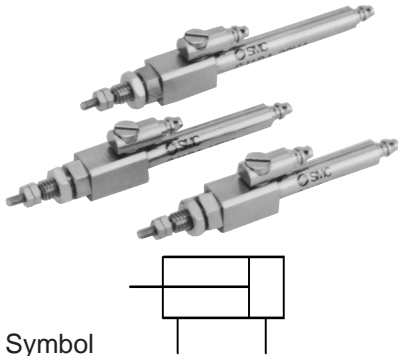


Refer to p.1.1-4 and 1.1-5 for single acting style.

Air Cylinder/Double Acting

Series CJ1

ø4



Symbol
Double acting/Single rod

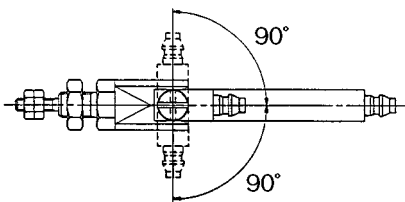
Compact series of double acting cylinders

(A cylinder with a ø4 bore has been added as a compact style to the existing CJ2: ø6 double acting cylinder.)

The fitting on the rod cover side has been provided with a variable piping direction.

(The piping direction of the fitting on the rod cover side can move freely within a range of ±90°.)

■ The piping direction of the fitting on the rod cover side varies within a range of ±90°.



Specifications

Action	Double acting single rod
Fluid	Air
Proof pressure	1.05MPa
Max. operating pressure	0.7MPa
Min. operating pressure	0.2MPa
Ambient and fluid temperature	-10°C to 70°C (Non-freezing)
Operating piston speed	50 to 500mm/s
Cushion	None
Thread tolerance	JIS class 2
Stroke tolerance	+0.5 0
Mounting	Basic style
Lubrication	Not required (Non-lube)

Model/Cylinder Bore Size/Standard Strokes

Model	Bore size (mm)	Standard stroke (mm)
CJ1B4	4	5, 10, 15, 20

Applicable Tubing

Tubing	Material	Size		Model No.
		O.D.	I.D.	
Metric size	Polyurethane	4mm	2.5mm	TU0425
	Soft nylon	4mm	2.5mm	TS0425

Theoretical Force

(N)

Bore size (mm)	Rod size (mm)	Action	Piston area (mm ²)	Operating pressure (MPa)					
				0.2	0.3	0.4	0.5	0.6	0.7
4	2	OUT	12.6	2.52	3.78	5.04	6.30	7.56	8.82
		IN	9.4	1.88	2.82	3.76	4.70	5.64	6.58

Weight

Bore size (mm)	Cylinder stroke (mm)	Weight (g)
4	5	12.0
	10	12.4
	15	12.8
	20	13.2

⚠ Precaution

Be sure to read before handling. Refer to p.0-39 to 0-42 for Safety Instructions and common precautions.

Piping

⚠ Caution

- Do not forcibly connect piping that could apply a lateral force to the cylinder tube, this could cause the cylinder tube to tilt and lead to a malfunction.

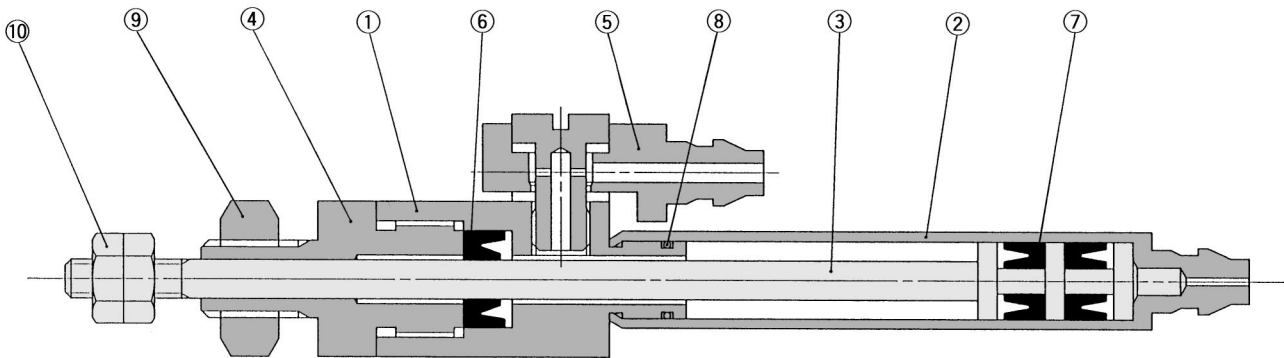
Mounting

⚠ Caution

- Do not install by directly grasping the cylinder tube, as this could cause the tube to deform and lead to a malfunction.
- Do not install by grasping the piston rod with a pair of electrician's pliers, as this could scratch the piston rod, which could damage the bearing or the rod seal. As a result, it could lead to a malfunction or air leakage.

Air Cylinder/Double Acting *Series CJ1*

Construction

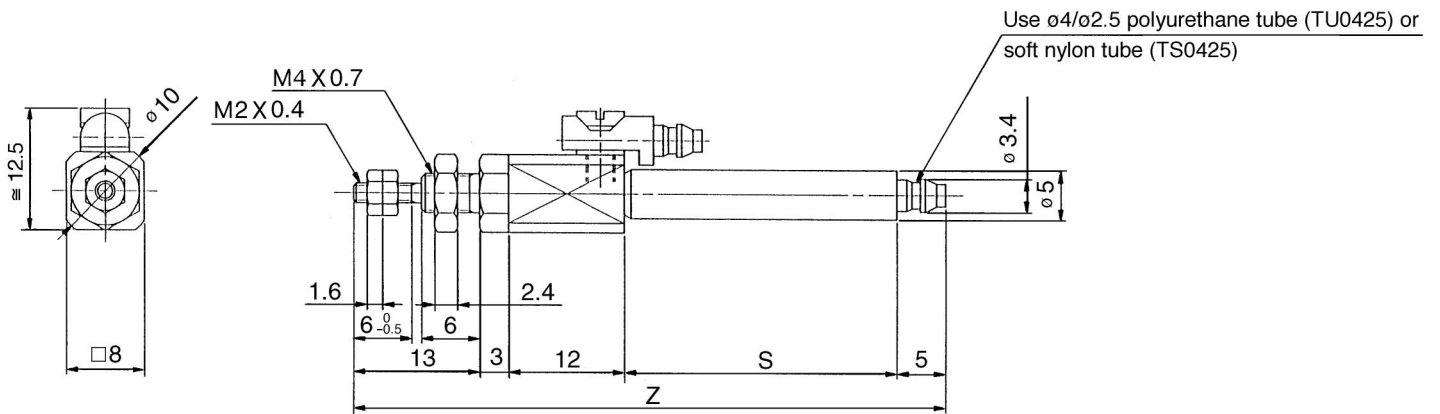


Component Parts

No.	Description	Material	Note
①	Rod cover	Brass	Electroless nickel plated
②	Cylinder tube	Brass	Electroless nickel plated
③	Piston	Stainless steel	
④	Seal retainer	Brass	Electroless nickel plated
⑤	Fittings	Body Brass	Electroless nickel plated
		Gasket PVC	
⑥	Rod seal	NBR	
⑦	Piston seal	NBR	
⑧	Tube gasket	NBR	
⑨	Mounting nut	Steel	Nickel plated
⑩	Rod end nut	Steel	Nickel plated

CJ1
CJP
CJ2
CM2
C85
CG1
MB
C95
CA1
CS1

Dimensions: Double Acting/Basic style



Symbol Bore (mm)	S				Z			
	5	10	15	20	5	10	15	20
4	18	23	28	33	51	56	61	66