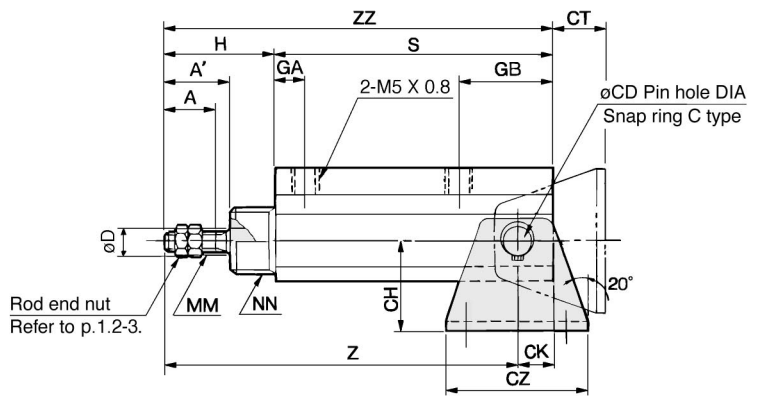
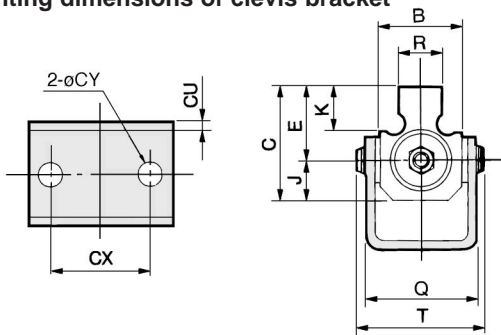


Pin Cylinder/Double Acting Single Rod *Series CJP*



CJPT/Without Auto Switch

Mounting dimensions of clevis bracket



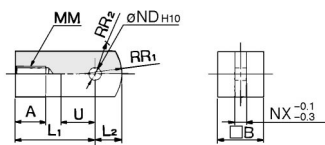
Bore (mm)	A	A'	B	C	D	E	GA	GB	H	J	K	MM	NN	Q	T	CD	CH	CK	CT	CU	CX	CY	CZ
6	7	9	14	16.5	3	10.5	6	11	17	6	8	M3 X 0.5	M10 X 1.0	18.5	20.4	3	16	4	12	1.6	18	3.4	26
10	10	12	15	20	5	13	6	17	20	7	8	M4 X 0.7	M12 X 1.0	20.5	23.9	5	20	6.5	13.5	1.6	24	4.5	33
15	12	14	20	24.5	6	15.5	6	18.5	24	9	8	M5 X 0.8	M14 X 1.0	28	31.7	6	25	8	17	2.9	29	5.5	42

Bore (mm)	S					Z					ZZ					R
	5 st	10 st	15 st	20 st	30 st	5 st	10 st	15 st	20 st	30 st	5 st	10 st	15 st	20 st	30 st	
6	35.5	40.5	45.5	50.5	—	48.5	53.5	58.5	63.5	—	52.5	57.5	62.5	67.5	—	7
10	40.5	45.5	50.5	55.5	65.5	54	59	64	69	79	60.5	65.5	70.5	75.5	85.5	8
15	42	47	52	57	67	58	63	68	73	83	66	71	76	81	91	10

CJPT6.....SCJP6, #5
 CJPT10.....SCJP10, #5
 CJPT15.....SCJP15, #5

Accessories

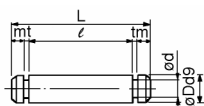
Single Knuckle Joint



Material: Rolled steel

Model	Bore (mm)	A	B	L1	L2	MM	NDH10	NX	R1	R2	U
I-P006	6	5	6	12	3.5	M3 X 0.5	3 ^{+0.040}	3	5	4	5
I-P010	10	6.5	10	16	5.5	M4 X 0.7	5 ^{+0.048}	5	8	6.3	7
I-P015	15	7	12	19	7	M5 X 0.8	6 ^{+0.048}	6	10	7.8	9

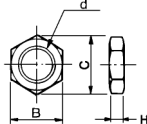
Knuckle Pin



Material: Stainless steel

Model	Bore (mm)	D d9	L	d	ℓ	m	t	Snap ring
IY-P006	6	3 ^{-0.020} _{-0.045}	9	2.85	6.2	0.75	0.65	Clip C type 3
IY-P010	10	5 ^{-0.030} _{-0.060}	13.6	4.8	10.2	1	0.7	C type 5
IY-P015	15	6 ^{-0.030} _{-0.060}	15.8	5.7	12.2	1	0.8	C type 6

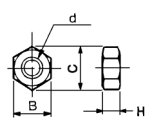
Mounting Nut



Material: Brass

Model	Bore (mm)	d	H	B	C
SNP-006	6	M10 X 1.0	3	14	16.2
SNP-010	10	M12 X 1.0	3	17	19.6
SNP-015	15	M14 X 1.0	4	19	21.9

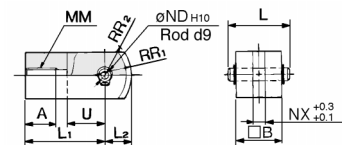
Rod End Nut



Material: Steel

Model	Bore (mm)	d	H	B	C
NTP-006	6	M3 X 0.5	1.8	5.5	6.4
NTP-010	10	M4 X 0.7	2.4	7	8.1
NTP-015	15	M5 X 0.8	3.2	8	9.2

Double Knuckle Joint

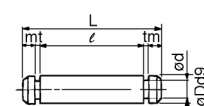


* Knuckle pin and snap ring are sent together.

Material: Rolled steel

Model	Bore (mm)	A	B	L	L1	L2	MM	NDd9	NDH10	NX	R1	R2	U
Y-P006	6	5	6	9	12	3.5	M3 X 0.5	3 ^{-0.020} _{-0.045}	3 ^{+0.040}	3	5	4	5
Y-P010	10	6.5	10	13.6	16	5.5	M4 X 0.7	5 ^{-0.030} _{-0.060}	5 ^{+0.048}	5	8	6.3	7
Y-P015	15	7	12	15.8	19	7	M5 X 0.8	6 ^{-0.030} _{-0.060}	6 ^{+0.048}	6	10	7.8	9

Trunnion Pin



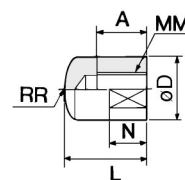
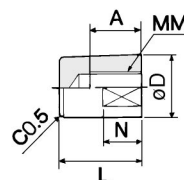
Material: Stainless steel

Model	Bore (mm)	D d9	L	d	ℓ	m	t	Snap ring
CT-P006	6	3 ^{-0.020} _{-0.045}	20.4	2.85	17.6	0.75	0.65	Clip C type 3
CT-P010	10	5 ^{-0.030} _{-0.060}	23.9	4.8	20.5	1	0.7	C type 5
CT-P015	15	6 ^{-0.030} _{-0.060}	31.7	5.7	28.1	1	0.8	C type 6

Rod End Cap

Flat style/CJ-CF□□□

Rounded style/CJ-CR□□□



Material: POM.

Model		Bore (mm)	A	D	L	MM	N	R	W
Flat style	Rounded style								
CJ-CF006	CJ-CR006	6	6	8	11	M3 X 0.5	5	8	6
CJ-CF010	CJ-CR010	10	8	10	13	M4 X 0.7	6	10	8
CJ-CF016	CJ-CR016	15	10	12	15	M5 X 0.8	7	12	10