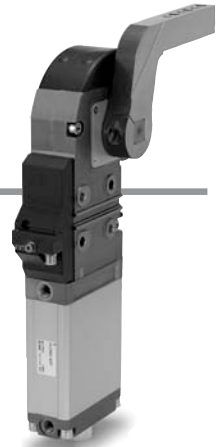


Power Clamp Cylinder Conforming to the New NAAMS Standard Series CKZ2N

ø50, ø63, ø80



How to Order

CKZ2N 63 TF 120 R T A A002

Power clamp cylinder conforming to the new NAAMS standard

Bore size

50	Equivalent to 50 mm
63	Equivalent to 63 mm
80	Equivalent to 80 mm

Cylinder port

Nil	NPT
TF	G

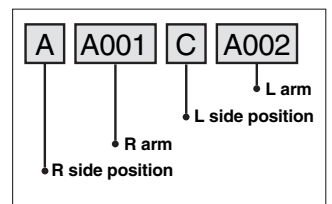
Arm opening angle

30	30
45	45
60	60
75	75
90	90
105	105
120	120
135	135

Arm style

Nil	Without arm
-	Arm code (See attached code.)

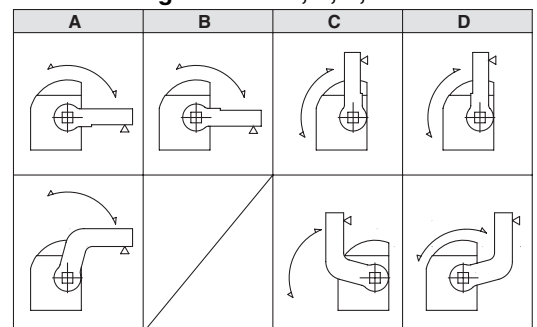
Note 1) Please indicate appropriate arm position and arm code in serial as following example in case of D type arm position.
Note 2) Not installed when delivered.



Arm mounting position (A, B, C, D)

Note 1) See below "Arm Mounting Position"

Arm Mounting Position: A, B, C, D

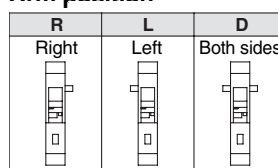


△ denotes tool attachment surface

Switch type

T	Turck
P	P & F

Arm position



Cylinder Specifications

Bore size (mm)	50	60	80
Action	Double acting		
Fluid	Air		
Proof pressure	1.2 MPa (174 psi)		
Max. operating pressure	0.8 MPa (116 psi)		
Min. operating pressure	0.3 MPa (44 psi)		
Ambient and fluid temperature	-10 to 60C (14 to 140F)		
Cushion	Clamping side: None Unclamping side: Rubber bumper		
Min. operating time	1.0 second to clamp, 1.0 second to unclamp		

Weight (Cylinder Without Arm)

Unit : kg (lbs)

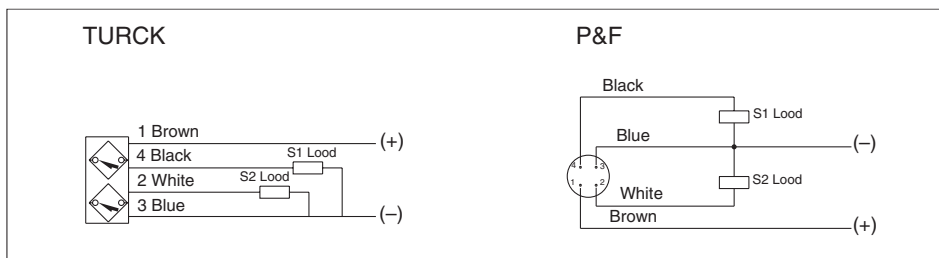
Bore size (mm)	Arm position	Arm angle							
		30	45	60	75	90	105	120	135
50	R/L	5.21 (11.46)	5.19 (11.42)	5.17 (11.37)	5.15 (11.33)	5.12 (11.26)	5.09 (11.20)	5.07 (11.15)	5.06 (11.13)
	D	5.27 (11.54)	5.25 (11.50)	5.23 (11.45)	5.21 (11.46)	5.18 (11.34)	5.15 (11.28)	5.13 (11.23)	5.12 (11.21)
63	R/L	7.37 (16.21)	7.34 (16.15)	7.31 (16.08)	7.28 (16.02)	7.24 (15.93)	7.21 (15.86)	7.18 (15.80)	7.16 (15.75)
	D	7.47 (16.36)	7.44 (16.29)	7.41 (16.23)	7.38 (16.16)	7.34 (16.07)	7.31 (16.01)	7.28 (15.94)	7.26 (15.90)
80	R/L	17.20 (37.84)	17.13 (37.69)	17.07 (37.55)	17.00 (37.40)	16.93 (37.25)	16.86 (37.09)	16.80 (36.96)	16.76 (36.87)
	D	17.42 (38.15)	17.35 (38.00)	17.29 (37.87)	17.21 (37.69)	17.15 (37.56)	17.08 (15.51)	17.02 (37.27)	16.98 (37.19)

Switch Specifications

Manufacturer	TURCK	P & F
Operating range	2 mm 10%	2 mm 10%
Supply voltage	10 to 30 VDC	10 to 30 VDC
Output	N.O., PNP	N.O., PNP
Continuous load current	150 mA	100 mA
Response frequency	30 Hz	25 Hz
Housing material	PBT-GP30	PA6, PBT
Output indication	Clamping side: Red Unclamping side: Yellow	Clamping side: Red Unclamping side: Yellow
Voltage indication	Green	Green

Note) Switch specifications are correspondingly to manufacturer's technical information

Wiring Diagram



Series CKZ2N

Part Number (Arm)

Bore size	SMC Part Number	Code	NAAMS Ref No.
50	CKZ-50A001	A001	ACA201M
	CKZ-50A002	A002	ACA202M
	CKZ-50A003	A003	ACA203M
	CKZ-50A004	A004	ACA206M
	CKZ-50A005	A005	ACA207M
	CKZ-50A006	A006	ACA208M
	CKZ-50A007	A007	ACA211M
	CKZ-50A008	A008	ACA212M
	CKZ-50A009	A009	ACA213M
	CKZ-50A010	A010	ACA216M
	CKZ-50A011	A011	ACA217M
	CKZ-50A012	A012	ACA218M
	CKZ-50A013	A013	ACA221M
	CKZ-50A014	A014	ACA222M
	CKZ-50A015	A015	ACA223M
	CKZ-50A016	A016	ACA226M
	CKZ-50A017	A017	ACA227M
	CKZ-50A018	A018	ACA228M
	CKZ-50A019	A019	ACA236M
	CKZ-50A020	A020	ACA237M
	CKZ-50A021	A021	ACA238M
	CKZ-50A022	A022	ACA246M
	CKZ-50A023	A023	ACA247M
	CKZ-50A024	A024	ACA248M
	CKZ-50A025	A025	ACA256M
	CKZ-50A026	A026	ACA257M
	CKZ-50A027	A027	ACA258M
63	CKZ-63A001	A001	ACA001M
	CKZ-63A002	A002	ACA002M
	CKZ-63A003	A003	ACA003M
	CKZ-63A004	A004	ACA004M
	CKZ-63A005	A005	ACA005M
	CKZ-63A006	A006	ACA006M
	CKZ-63A007	A007	ACA007M
	CKZ-63A008	A008	ACA008M
	CKZ-63A009	A009	ACA009M
	CKZ-63A010	A010	ACA010M
	CKZ-63A011	A011	ACA011M

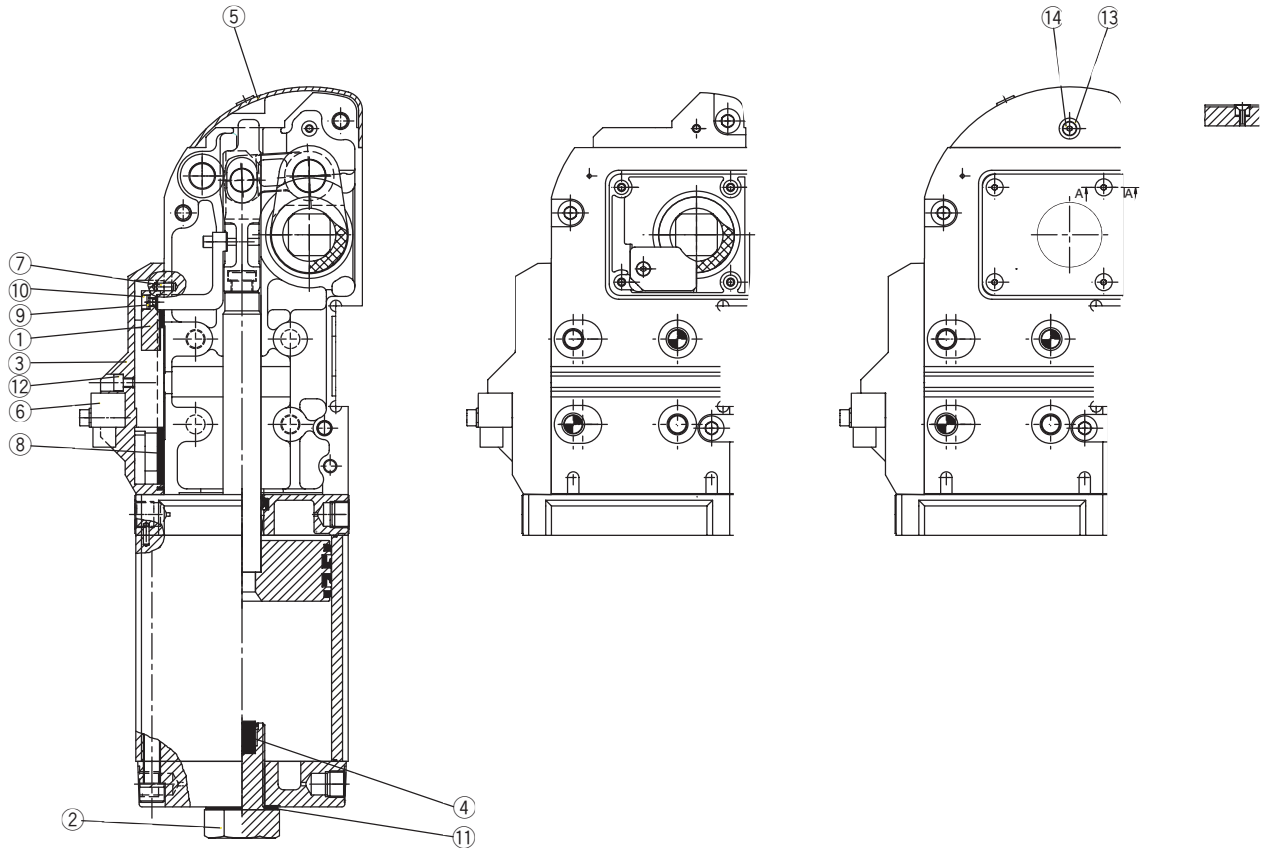
Bore size	SMC Part Number	Code	NAAMS Ref No.
63	CKZ-63A012	A012	ACA012M
	CKZ-63A013	A013	ACA013M
	CKZ-63A014	A014	ACA014M
	CKZ-63A015	A015	ACA015M
	CKZ-63A016	A016	ACA016M
	CKZ-63A017	A017	ACA017M
	CKZ-63A018	A018	ACA018M
	CKZ-63A019	A019	ACA019M
	CKZ-63A020	A020	ACA020M
	CKZ-63A021	A021	ACA021M
	CKZ-63A022	A022	ACA022M
	CKZ-63A023	A023	ACA023M
	CKZ-63A024	A024	ACA024M
	CKZ-63A025	A025	ACA025M
	CKZ-63A026	A026	ACA026M
	CKZ-63A027	A027	ACA027M
	CKZ-63A028	A028	ACA028M
	CKZ-63A029	A029	ACA029M
	CKZ-63A030	A030	ACA030M
	CKZ-63A031	A031	ACA031M
	CKZ-63A032	A032	ACA032M
	CKZ-63A033	A033	ACA033M
	CKZ-63A034	A034	ACA034M
	CKZ-63A035	A035	ACA035M
	CKZ-63A036	A036	ACA036M
	CKZ-63A037	A037	ACA037M
	CKZ-63A038	A038	ACA038M
	CKZ-63A039	A039	ACA039M
	CKZ-63A040	A040	ACA040M
	CKZ-63A041	A041	ACA041M
	CKZ-63A042	A042	ACA042M
	CKZ-63A043	A043	ACA043M
	CKZ-63A044	A044	ACA044M
	CKZ-63A045	A045	ACA045M
CKZ-63A046	A046	ACA046M	
CKZ-63A047	A047	ACA047M	
CKZ-63A048	A048	ACA048M	

Bore size	SMC Part Number	Code	NAAMS Ref No.
80	CKZ-80A001	A001	ACA100M
	CKZ-80A002	A002	ACA101M
	CKZ-80A003	A003	ACA102M
	CKZ-80A004	A004	ACA103M
	CKZ-80A005	A005	ACA104M
	CKZ-80A006	A006	ACA105M
	CKZ-80A007	A007	ACA106M
	CKZ-80A008	A008	ACA107M
	CKZ-80A009	A009	ACA108M
	CKZ-80A010	A010	ACA110M
	CKZ-80A011	A011	ACA111M
	CKZ-80A012	A012	ACA112M
	CKZ-80A013	A013	ACA113M
	CKZ-80A014	A014	ACA114M
	CKZ-80A015	A015	ACA115M
	CKZ-80A016	A016	ACA116M
	CKZ-80A017	A017	ACA117M
	CKZ-80A018	A018	ACA118M
	CKZ-80A019	A019	ACA120M
	CKZ-80A020	A020	ACA121M
	CKZ-80A021	A021	ACA122M
	CKZ-80A022	A022	ACA123M
	CKZ-80A023	A023	ACA124M
	CKZ-80A024	A024	ACA125M
	CKZ-80A025	A025	ACA126M
	CKZ-80A026	A026	ACA127M
	CKZ-80A027	A027	ACA128M
	CKZ-80A028	A028	ACA130M
	CKZ-80A029	A029	ACA131M
	CKZ-80A030	A030	ACA132M
	CKZ-80A031	A031	ACA133M
	CKZ-80A032	A032	ACA134M
	CKZ-80A033	A033	ACA135M
	CKZ-80A034	A034	ACA136M
	CKZ-80A035	A035	ACA137M
	CKZ-80A036	A036	ACA138M
	CKZ-80A037	A037	ACA140M

Bore size	SMC Part Number	Code	NAAMS Ref No.
80	CKZ-80A038	A038	ACA141M
	CKZ-80A039	A039	ACA142M
	CKZ-80A040	A040	ACA143M
	CKZ-80A041	A041	ACA144M
	CKZ-80A042	A042	ACA145M
	CKZ-80A043	A043	ACA146M
	CKZ-80A044	A044	ACA147M
	CKZ-80A045	A045	ACA148M
	CKZ-80A046	A046	ACA150M
	CKZ-80A047	A047	ACA151M
	CKZ-80A048	A048	ACA152M
	CKZ-80A049	A049	ACA153M
	CKZ-80A050	A050	ACA154M
	CKZ-80A051	A051	ACA155M
	CKZ-80A052	A052	ACA156M
	CKZ-80A053	A053	ACA157M
	CKZ-80A054	A054	ACA158M
	CKZ-80A055	A055	ACA160M
	CKZ-80A056	A056	ACA161M
	CKZ-80A057	A057	ACA162M
	CKZ-80A058	A058	ACA163M
	CKZ-80A059	A059	ACA164M
CKZ-80A060	A060	ACA165M	
CKZ-80A061	A061	ACA166M	
CKZ-80A062	A062	ACA167M	
CKZ-80A063	A063	ACA168M	
CKZ-80A064	A064	ACA170M	
CKZ-80A065	A065	ACA171M	
CKZ-80A066	A066	ACA172M	
CKZ-80A067	A067	ACA173M	
CKZ-80A068	A068	ACA174M	
CKZ-80A069	A069	ACA175M	
CKZ-80A070	A070	ACA176M	
CKZ-80A071	A071	ACA177M	
CKZ-80A072	A072	ACA178M	

Symbol is described at end of model number.

Construction



Replaceable Kits List

Description	Bore	Kit no.	Contents
Switch cassette	50	CKZ1N-S050 ^T _P Note 1)	③ Switch holder ⑥ Inductive switch
	63	CKZ1N-S063 ^T _P Note 1)	⑦ Parallel pin ⑧ Sheet gasket
	80	CKZ1N-S080 ^T _P Note 1)	⑫ Cover cap screw
Parts for changing opening angle of arm	50	CKZN-D050 * Note 2)	① Switch actuator ⑨ Spring washer ⑩ Socket head cap screw
		CKZN-B050* Note 2)	② Stopper bolt ④ Bumper ⑪ Seal washer
		CKZN-K050* Note 2)	CKZN-D050* CKZN-B050*
	63	CKZN-D063 * Note 2)	① Switch actuator ⑨ Spring washer ⑩ Socket head cap screw
		CKZN-B063* Note 2)	② Stopper bolt ④ Bumper ⑪ Seal washer
		CKZN-K063* Note 2)	CKZN-D063* CKZN-B063*
	80	CKZN-D080 * Note 2)	① Switch actuator ⑨ Spring washer ⑩ Socket head cap screw
		CKZN-B080* Note 2)	② Stopper bolt ④ Bumper ⑪ Seal washer
		CKZN-K080* Note 2)	CKZN-D080* CKZN-B080*
Top cover kits	50	CKZ2N-T050	⑤ Top cover
	63	CKZ2N-T063	⑭ Short head cap screw
	80	CKZ2N-T080	⑬ Spacer

①	Switch actuator
②	Stopper bolt
③	Switch holder
④	Bumper
⑤	Top cover
⑥	Inductive switch
⑦	Parallel pin
⑧	Sheet gasket
⑨	Spring washer
⑩	Socket head cap screw
⑪	Seal washer
⑫	Cover cap screw
⑬	Spacer
⑭	Short head cap screw

Note 1) T: TURCK, P: P & F
 Note 2) Please specify the opening angle by the code in Table

Table 1

Opening angle	Code
30	H
45	G
60	F
75	E
90	D
105	C
120	B
135	A

Series CKZ2N

Maximum Cylinder Locking Moment

Bore size (mm)	Max. locking force	
	N•m	lbf•in
50	800	7080
63	1500	13274
80	2500	22124

Maximum Clamping Moment

Bore size (mm)	Max. clamping force											
	0.3 MPa		0.4 MPa		0.5 MPa		0.6 MPa		0.7 MPa		0.8 MPa	
	N•m	lbf•in	N•m	lbf•in	N•m	lbf•in	N•m	lbf•in	N•m	lbf•in	N•m	lbf•in
50	100	885	130	1150	160	1416	190	1681	220	1947	250	2212
63	300	2655	350	3097	400	3540	450	3982	500	4425	550	4867
80	560	4956	720	6372	880	7788	1040	9204	1200	10619	1360	12035

* at 0.5MPa

Cylinder Stroke

Unit: (mm)

Angle \ Bore size	30°	45°	60°	75°	90°	105°	120°	135°
50	31.1	38.9	46.4	54.1	61.9	69.6	76.4	81.3
63	34.1	42.5	50.5	58.6	66.8	74.7	81.5	86.3
80	47.3	59.4	71.1	83.2	95.7	108.0	119.1	127.3

To determine actual clamp force.

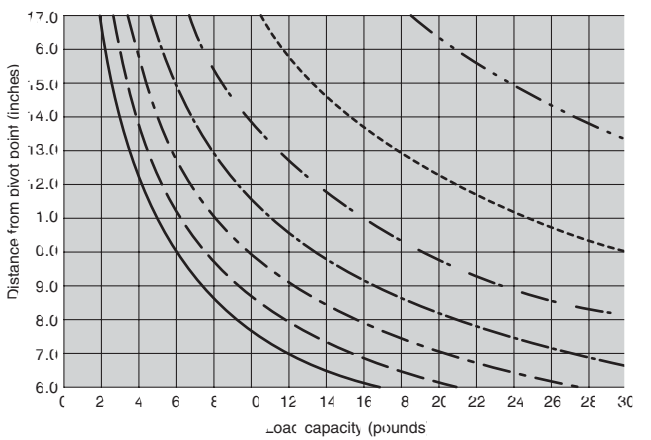
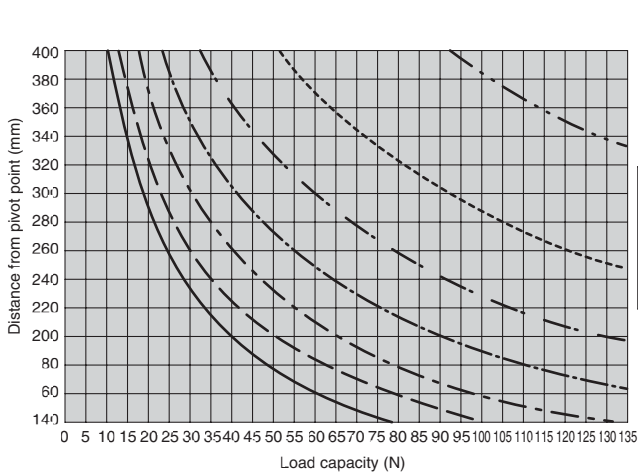
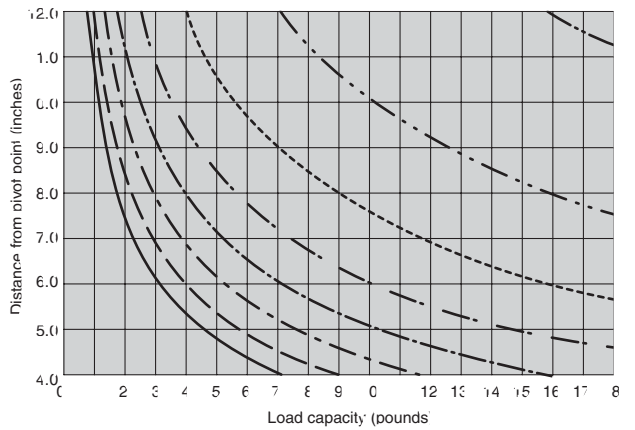
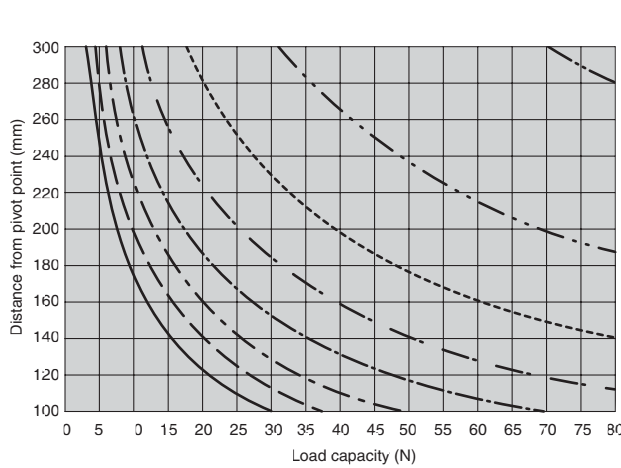
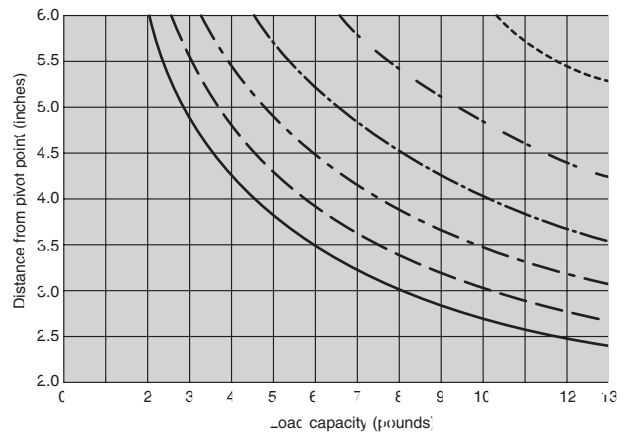
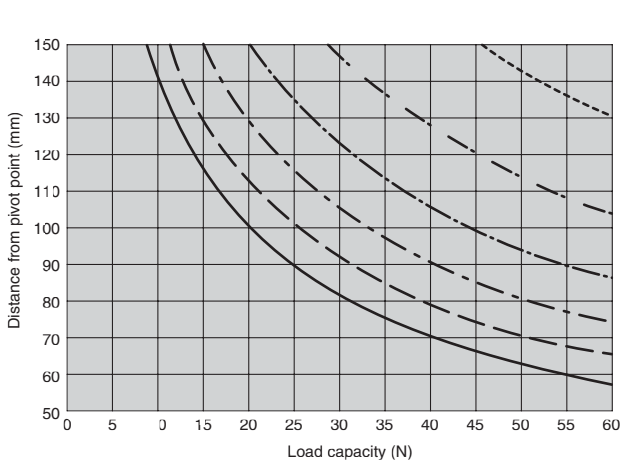
Example: CKZ2N50, 0.5 MPa, distance from pivot to clamping point = 100 mm (3.937 in.)

$$N = \frac{\text{N•m (from chart)} \times 1000}{\text{Distance from pivot to clamping point (mm)}} = \frac{160 \text{ N•m} \times 1000}{100 \text{ mm}} = 1600 \text{ N}$$

$$\text{lbs.} = \frac{\text{lbf in (from chart)}}{\text{Distance from pivot to clamping point (in.)}} = \frac{1416 \text{ lbf in}}{3.937 \text{ in.}} = 359.69 \text{ lbf}$$

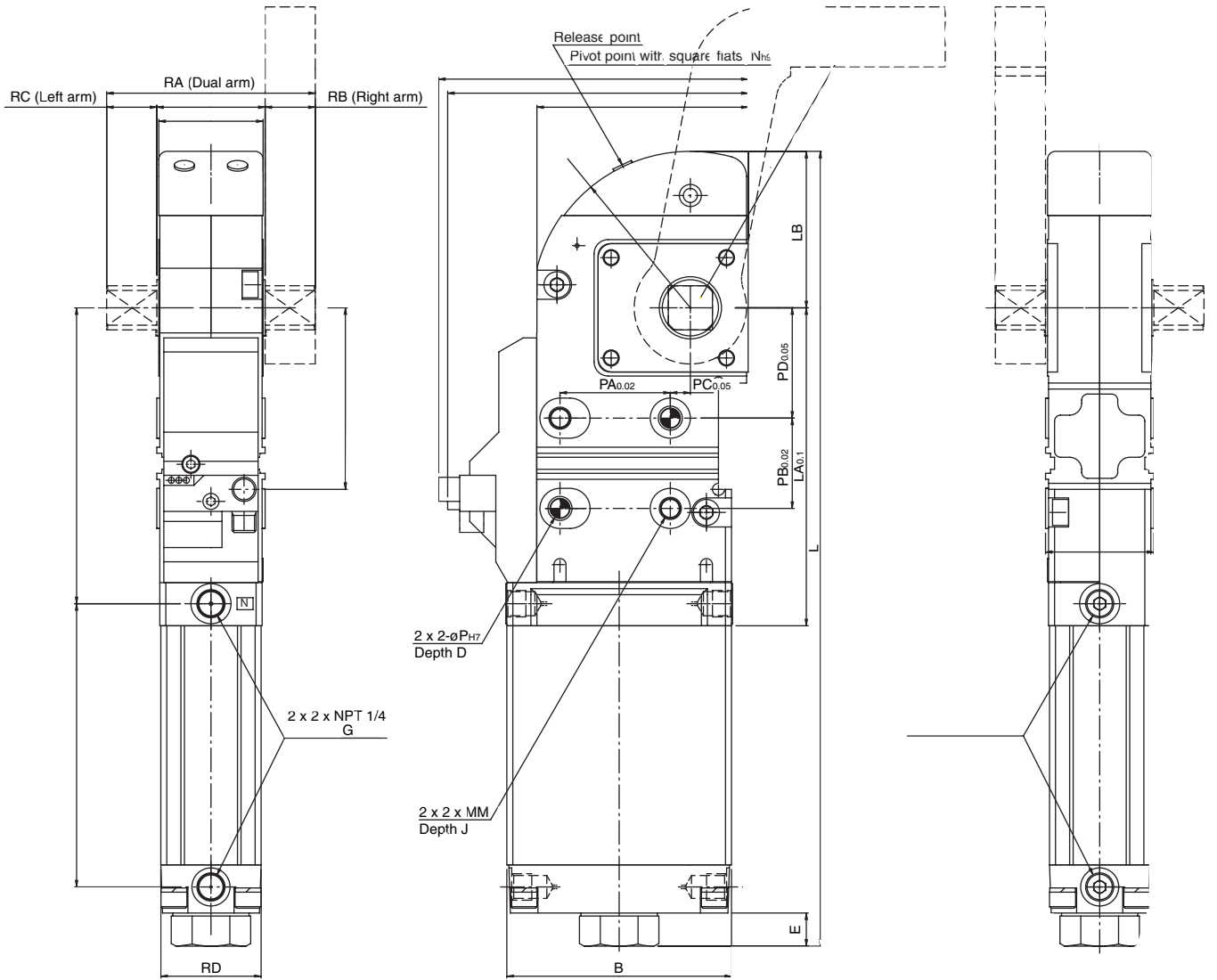
$1600 \text{ N} \times 0.2248 = 359.68 \text{ lbf}$

Selection Graph



Series CKZ2N

Dimensions



(mm)

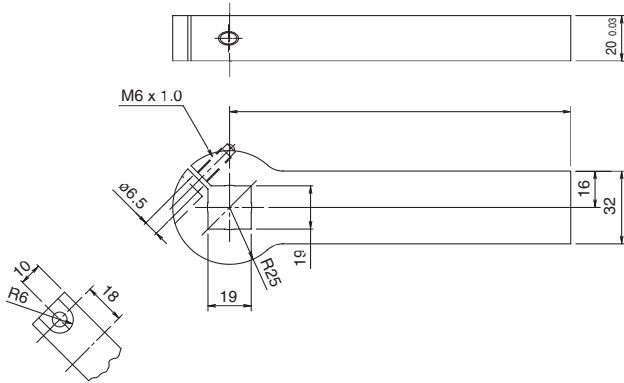
Bore (mm)	B	C	D	E	GA	GB	GC	J	L	LA	LB	MM	N	P
50	95	48	12	13.7	134.3	138.5	93	12	376.7	149.5	78.4	M8 x 1.25	19	8
63	112	54	15	16.6	141.2	147.5	90.5	12	395.6	158.5	78	M10 x 1.5	22	10
80	154	76	12	19.6	185.8	199	137.5	18	530.9	214	113.7	M12 x 1.75	30	12

Bore (mm)	PA	PB	PC	PD	R	RA	RB	RC	RD	RR	W	XA	XB	XC
50	45	45	5	40	45	88	20	20	45	48	78.4	141.8	137.3	92.8
63	55	45	10	55	52	104	25	25	50	54	78	154.4	150.4	105.3
80	70	75	15	65	70	140	32	32	68	76	113.7	197.3	192.8	148.3

Series CKZ2N

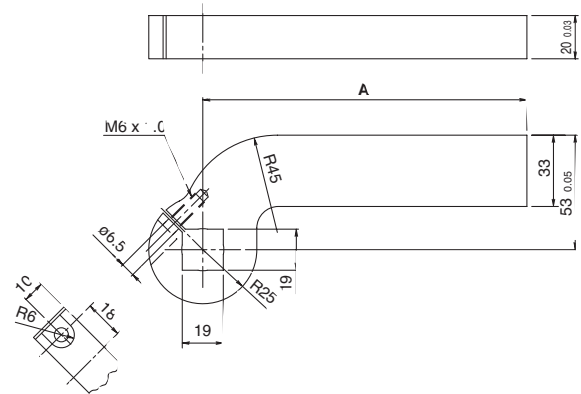
Dimensions

Arm / $\phi 50$ Straight-Plain



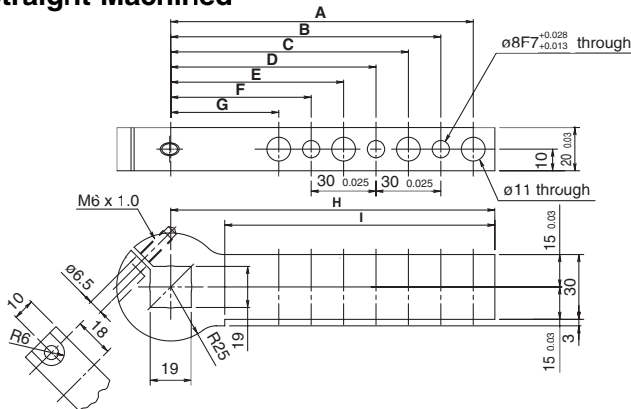
Part no.	NAAMS code	A	Weight kg (lbs)
CKZ-50A001	ACA201M	90.0	0.6 (1.32)
CKZ-50A002	ACA202M	120.0	0.7 (1.54)
CKZ-50A003	ACA203M	150.0	0.9 (1.98)

20 mm Offset-Plain



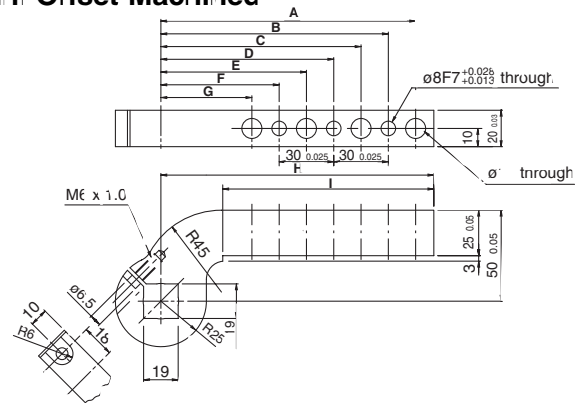
Part no.	NAAMS code	A	Weight kg (lbs)
CKZ-50A007	ACA211M	90.0	0.7 (1.54)
CKZ-50A008	ACA212M	120.0	0.8 (1.76)
CKZ-50A009	ACA213M	150.0	1.0 (2.20)

Straight-Machined



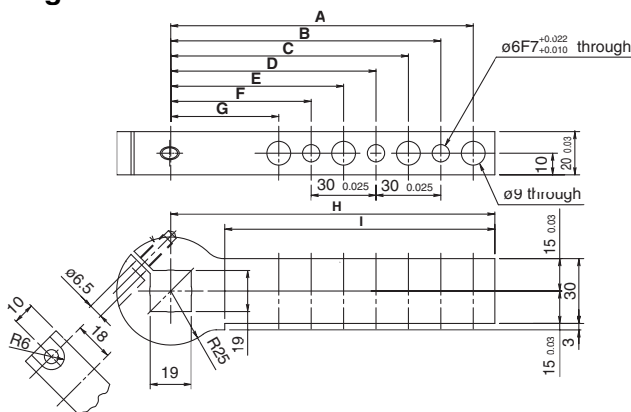
Part no.	NAAMS code	A	B	C	D	E	F	G	H	I	Weight kg (lbs)
CKZ-50A004	ACA206M	80.0	65.0	50.0	-	-	-	-	90.0	65.0	0.5 (1.10)
CKZ-50A005	ACA207M	110.0	95.0	80.0	65.0	50.0	-	-	120.0	95.0	0.6 (1.32)
CKZ-50A006	ACA208M	140.0	125.0	110.0	95.0	80.0	65.0	50.0	150.0	125.0	0.7 (1.54)

25 mm Offset-Machined



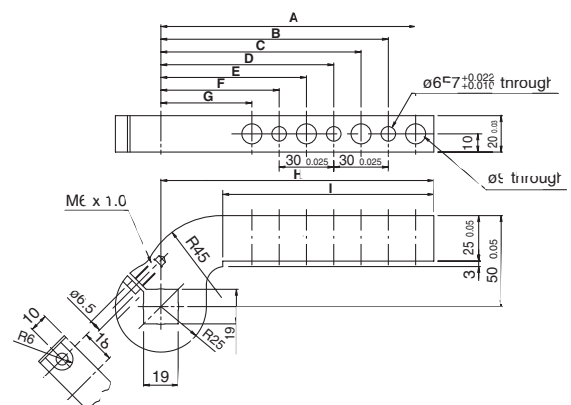
Part no.	NAAMS code	A	B	C	D	E	F	G	H	I	Weight kg (lbs)
CKZ-50A010	ACA216M	80.0	65.0	50.0	-	-	-	-	90.0	56.0	0.5 (1.10)
CKZ-50A011	ACA217M	110.0	95.0	80.0	65.0	50.0	-	-	120.0	86.0	0.6 (1.32)
CKZ-50A012	ACA218M	140.0	125.0	110.0	95.0	80.0	65.0	50.0	150.0	116.0	0.7 (1.54)

Straight-Machined



Part no.	NAAMS code	A	B	C	D	E	F	G	H	I	Weight kg (lbs)
CKZ-50A019	ACA236M	80.0	65.0	50.0	-	-	-	-	90.0	65.0	0.5 (1.10)
CKZ-50A020	ACA237M	110.0	95.0	80.0	65.0	50.0	-	-	120.0	95.0	0.6 (1.32)
CKZ-50A021	ACA238M	140.0	125.0	110.0	95.0	80.0	65.0	50.0	150.0	125.0	0.7 (1.54)

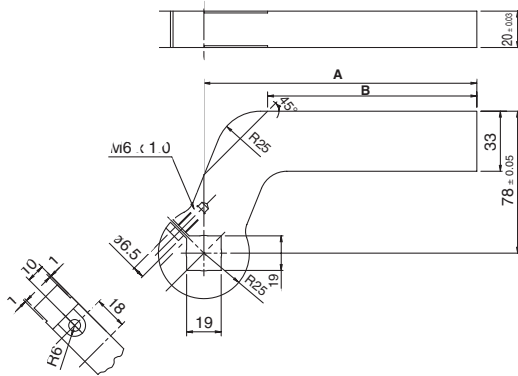
25 mm Offset-Machined



Part no.	NAAMS code	A	B	C	D	E	F	G	H	I	Weight kg (lbs)
CKZ-50A022	ACA246M	80.0	65.0	50.0	-	-	-	-	90.0	56.0	0.5 (1.10)
CKZ-50A023	ACA247M	110.0	95.0	80.0	65.0	50.0	-	-	120.0	86.0	0.6 (1.32)
CKZ-50A024	ACA248M	140.0	125.0	110.0	95.0	80.0	65.0	50.0	150.0	116.0	0.7 (1.54)

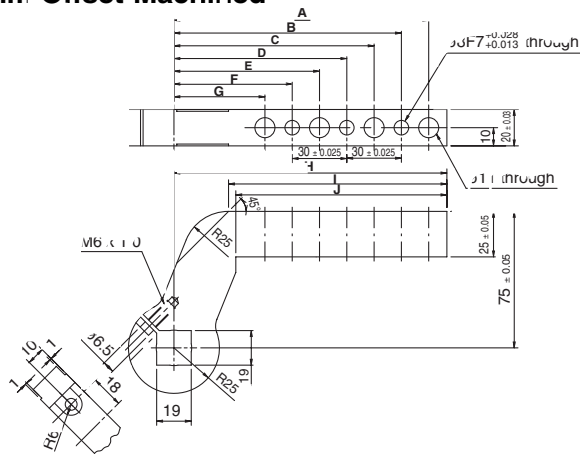
Dimensions

45 mm Offset-Plain



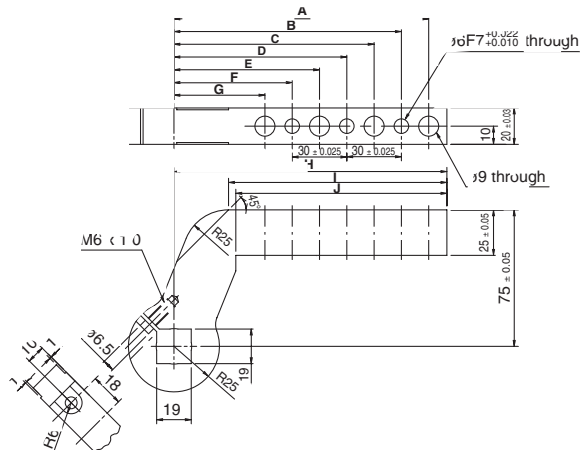
Part no.	NAAMS code	A	B	Weight kg (lbs)
CKZ-50A013	ACA221M	90.0	55.0	0.8 (1.76)
CKZ-50A014	ACA222M	120.0	85.0	0.9 (1.98)
CKZ-50A015	ACA223M	150.0	115.0	1.1 (2.42)

50 mm Offset-Machined



Part no.	NAAMS code	A	B	C	D	E	F	G	H	I	J	Weight kg (lbs)
CKZ-50A016	ACA226M	80.0	65.0	50.0	-	-	-	-	90.0	60.0	56.0	0.6 (1.32)
CKZ-50A017	ACA227M	110.0	95.0	80.0	65.0	50.0	-	-	120.0	90.0	86.0	0.7 (1.54)
CKZ-50A018	ACA228M	140.0	125.0	110.0	95.0	80.0	65.0	50.0	150.0	120.0	116.0	0.8 (1.76)

50 mm Offset-Machined

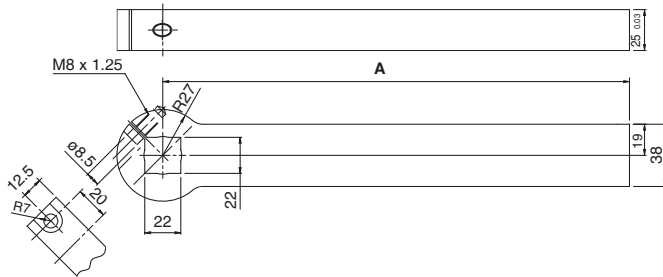


Part no.	NAAMS code	A	B	C	D	E	F	G	H	I	J	Weight kg (lbs)
CKZ-50A025	ACA256M	80.0	65.0	50.0	-	-	-	-	90.0	60.0	56.0	0.6 (1.32)
CKZ-50A026	ACA257M	110.0	95.0	80.0	65.0	50.0	-	-	120.0	90.0	86.0	0.7 (1.54)
CKZ-50A027	ACA258M	140.0	125.0	110.0	95.0	80.0	65.0	50.0	150.0	120.0	116.0	0.8 (1.76)

Series CKZ2N

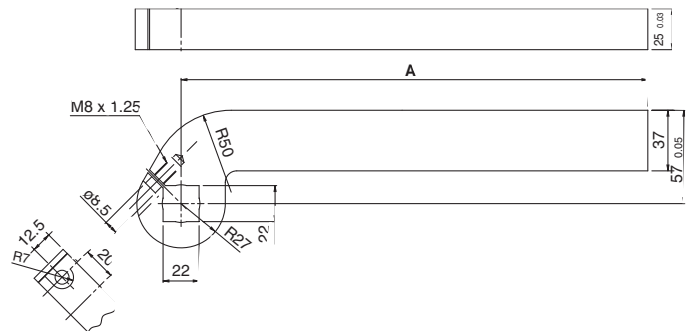
Dimensions

Arm / ø63 Straight-Plain



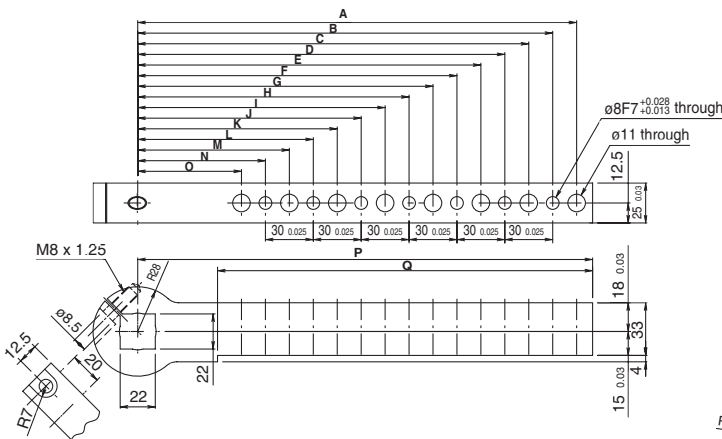
Part no.	NAAMS code	A	Weight kg (lbs)
CKZ-63A001	ACA001M	135.0	1.2 (2.64)
CKZ-63A002	ACA002M	165.0	1.4 (3.09)
CKZ-63A003	ACA003M	195.0	1.6 (3.53)
CKZ-63A004	ACA004M	225.0	1.8 (3.97)
CKZ-63A005	ACA005M	255.0	2.1 (4.63)
CKZ-63A006	ACA006M	285.0	2.3 (5.07)

20 mm Offset-Plain



Part no.	NAAMS code	A	Weight kg (lbs)
CKZ-63A013	ACA013M	135.0	1.4 (3.09)
CKZ-63A014	ACA014M	165.0	1.6 (3.53)
CKZ-63A015	ACA015M	195.0	1.8 (3.97)
CKZ-63A016	ACA016M	225.0	2.0 (4.41)
CKZ-63A017	ACA017M	255.0	2.2 (4.85)
CKZ-63A018	ACA018M	285.0	2.4 (5.29)

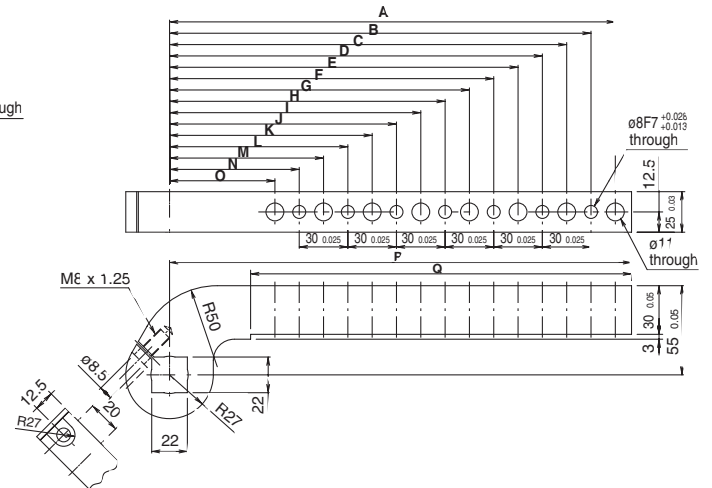
Straight-Machined



Part no.	NAAMS code	A	B	C	D	E	F	G	H	I	J	K	L	M
CKZ-63A007	ACA007M	125.0	110.0	95.0	80.0	65.0	-	-	-	-	-	-	-	-
CKZ-63A008	ACA008M	155.0	140.0	125.0	110.0	95.0	80.0	65.0	-	-	-	-	-	-
CKZ-63A009	ACA009M	185.0	170.0	155.0	140.0	125.0	110.0	95.0	80.0	65.0	-	-	-	-
CKZ-63A010	ACA010M	215.0	200.0	185.0	170.0	155.0	140.0	125.0	110.0	95.0	80.0	65.0	-	-
CKZ-63A011	ACA011M	245.0	230.0	215.0	200.0	185.0	170.0	155.0	140.0	125.0	110.0	95.0	80.0	65.0
CKZ-63A012	ACA012M	275.0	260.0	245.0	230.0	215.0	200.0	185.0	170.0	155.0	140.0	125.0	110.0	95.0

Part no.	NAAMS code	N	O	P	Q	Weight kg (lbs)
CKZ-63A007	ACA007M	-	-	135.0	85.0	1.0 (2.20)
CKZ-63A008	ACA008M	-	-	165.0	115.0	1.2 (2.64)
CKZ-63A009	ACA009M	-	-	195.0	145.0	1.4 (3.09)
CKZ-63A010	ACA010M	-	-	225.0	175.0	1.5 (3.31)
CKZ-63A011	ACA011M	-	-	255.0	205.0	1.7 (3.75)
CKZ-63A012	ACA012M	80.0	65.0	285.0	235.0	1.9 (4.19)

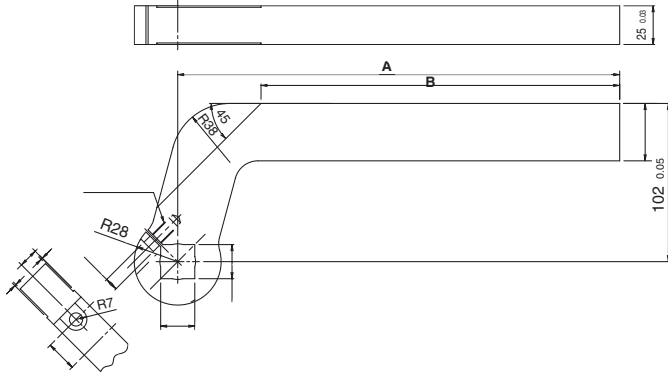
25 mm Offset-Machined



Part no.	NAAMS code	A	B	C	D	E	F	G	H	I	J	K	L	M
CKZ-63A019	ACA019M	125.0	110.0	95.0	80.0	65.0	-	-	-	-	-	-	-	-
CKZ-63A020	ACA020M	155.0	140.0	125.0	110.0	95.0	80.0	65.0	-	-	-	-	-	-
CKZ-63A021	ACA021M	185.0	170.0	155.0	140.0	125.0	110.0	95.0	80.0	65.0	-	-	-	-
CKZ-63A022	ACA022M	215.0	200.0	185.0	170.0	155.0	140.0	125.0	110.0	95.0	80.0	65.0	-	-
CKZ-63A023	ACA023M	245.0	230.0	215.0	200.0	185.0	170.0	155.0	140.0	125.0	110.0	95.0	80.0	65.0
CKZ-63A024	ACA024M	275.0	260.0	245.0	230.0	215.0	200.0	185.0	170.0	155.0	140.0	125.0	110.0	95.0

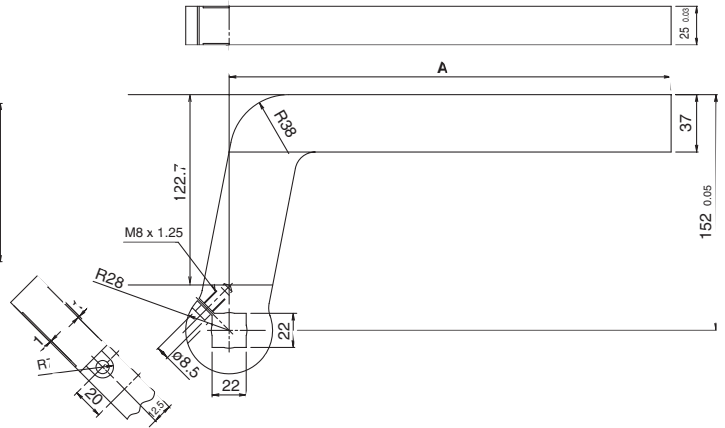
Part no.	NAAMS code	N	O	P	Q	Weight kg (lbs)
CKZ-63A019	ACA019M	-	-	135.0	85.0	1.3 (2.86)
CKZ-63A020	ACA020M	-	-	165.0	115.0	1.5 (3.31)
CKZ-63A021	ACA021M	-	-	195.0	145.0	1.6 (3.53)
CKZ-63A022	ACA022M	-	-	225.0	175.0	1.7 (3.75)
CKZ-63A023	ACA023M	-	-	255.0	205.0	1.9 (4.19)
CKZ-63A024	ACA024M	80.0	65.0	285.0	235.0	2.1 (4.63)

65 mm Offset-Plain



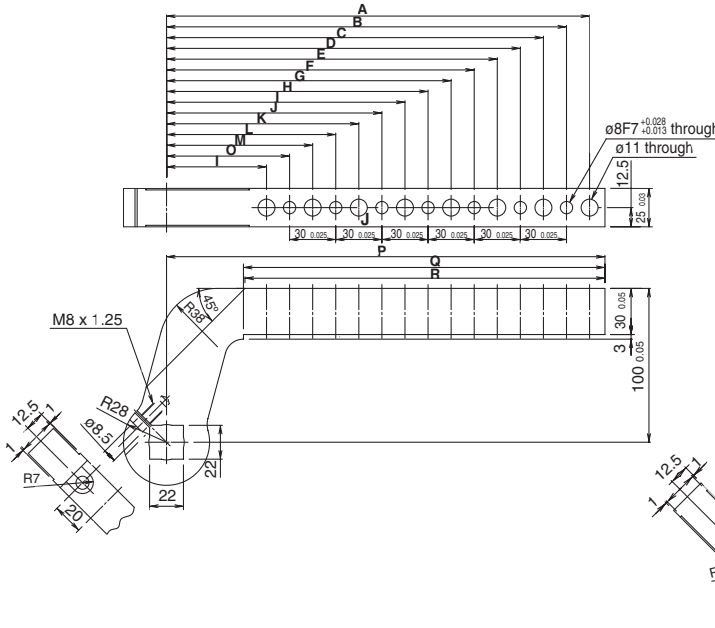
Part no.	NAAMS code	A	B	Weight kg (lbs)
CKZ-63A025	ACA025M	135.0	81.3	1.7 (3.75)
CKZ-63A026	ACA026M	165.0	111.3	1.9 (4.19)
CKZ-63A027	ACA027M	195.0	141.3	2.1 (4.63)
CKZ-63A028	ACA028M	225.0	171.3	2.3 (5.07)
CKZ-63A029	ACA029M	255.0	201.3	2.5 (5.51)
CKZ-63A030	ACA030M	285.0	231.3	2.7 (5.96)

115 mm Offset-Plain



Part no.	NAAMS code	A	Weight kg (lbs)
CKZ-63A037	ACA037M	135.0	2.1 (4.63)
CKZ-63A038	ACA038M	165.0	2.3 (5.07)
CKZ-63A039	ACA039M	195.0	2.5 (5.51)
CKZ-63A040	ACA040M	225.0	2.7 (5.96)
CKZ-63A041	ACA041M	255.0	2.9 (6.40)
CKZ-63A042	ACA042M	285.0	3.1 (6.84)

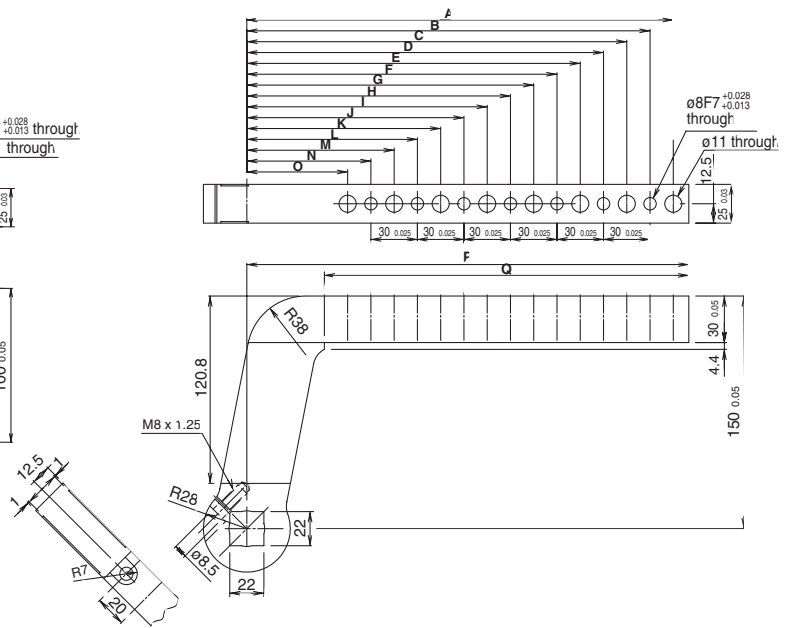
70 mm Offset-Machined



Part no.	NAAMS code	A	B	C	D	E	F	G	H	I	J	K	L	M
CKZ-63A031	ACA031M	125.0	110.0	95.0	80.0	65.0	-	-	-	-	-	-	-	-
CKZ-63A032	ACA032M	155.0	140.0	125.0	110.0	95.0	80.0	65.0	-	-	-	-	-	-
CKZ-63A033	ACA033M	185.0	170.0	155.0	140.0	125.0	110.0	95.0	80.0	65.0	-	-	-	-
CKZ-63A034	ACA034M	215.0	200.0	185.0	170.0	155.0	140.0	125.0	110.0	95.0	80.0	65.0	-	-
CKZ-63A035	ACA035M	245.0	230.0	215.0	200.0	185.0	170.0	155.0	140.0	125.0	110.0	95.0	80.0	65.0
CKZ-63A036	ACA036M	275.0	260.0	245.0	230.0	215.0	200.0	185.0	170.0	155.0	140.0	125.0	110.0	95.0

Part no.	NAAMS code	N	O	P	Q	R	Weight kg (lbs)
CKZ-63A031	ACA031M	-	-	135.0	85.0	84.0	1.4 (3.09)
CKZ-63A032	ACA032M	-	-	165.0	115.0	114.0	1.6 (3.53)
CKZ-63A033	ACA033M	-	-	195.0	145.0	144.0	1.8 (3.97)
CKZ-63A034	ACA034M	-	-	225.0	175.0	174.0	1.9 (4.19)
CKZ-63A035	ACA035M	-	-	255.0	205.0	204.0	2.1 (4.63)
CKZ-63A036	ACA036M	80.0	65.0	285.0	235.0	234.0	2.3 (5.07)

120 mm Offset-Machined



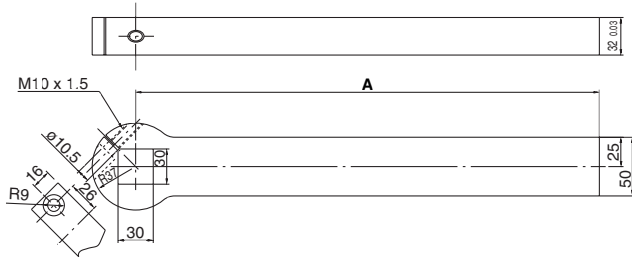
Part no.	NAAMS code	A	B	C	D	E	F	G	H	I	J	K	L	M
CKZ-63A043	ACA043M	125.0	110.0	95.0	80.0	65.0	-	-	-	-	-	-	-	-
CKZ-63A044	ACA044M	155.0	140.0	125.0	110.0	95.0	80.0	65.0	-	-	-	-	-	-
CKZ-63A045	ACA045M	185.0	170.0	155.0	140.0	125.0	110.0	95.0	80.0	65.0	-	-	-	-
CKZ-63A046	ACA046M	215.0	200.0	185.0	170.0	155.0	140.0	125.0	110.0	95.0	80.0	65.0	-	-
CKZ-63A047	ACA047M	245.0	230.0	215.0	200.0	185.0	170.0	155.0	140.0	125.0	110.0	95.0	80.0	65.0
CKZ-63A048	ACA048M	275.0	260.0	245.0	230.0	215.0	200.0	185.0	170.0	155.0	140.0	125.0	110.0	95.0

Part no.	NAAMS code	N	O	P	Q	Weight kg (lbs)
CKZ-63A043	ACA043M	-	-	135.0	85.0	1.8 (3.97)
CKZ-63A044	ACA044M	-	-	165.0	115.0	2.0 (4.41)
CKZ-63A045	ACA045M	-	-	195.0	145.0	2.1 (4.63)
CKZ-63A046	ACA046M	-	-	225.0	175.0	2.3 (5.07)
CKZ-63A047	ACA047M	-	-	255.0	205.0	2.5 (5.51)
CKZ-63A048	ACA048M	80.0	65.0	285.0	235.0	2.6 (5.73)

Series CKZ2N

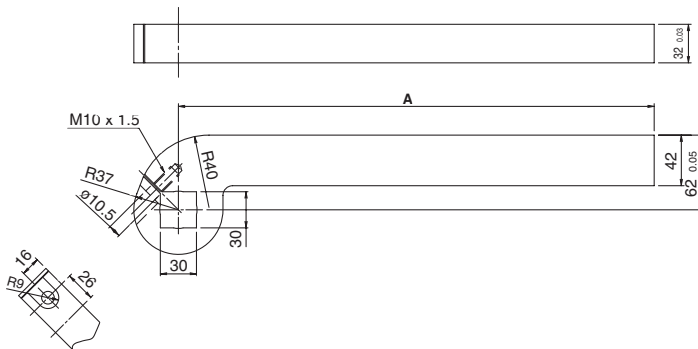
Dimensions

Arm / ø80 Straight-Plain



Part no.	NAAMS code	A	Weight kg (lbs)
CKZ-80A001	ACA100M	155.0	2.3 (5.07)
CKZ-80A002	ACA101M	185.0	2.7 (5.96)
CKZ-80A003	ACA102M	215.0	3.0 (6.62)
CKZ-80A004	ACA103M	245.0	3.4 (7.50)
CKZ-80A005	ACA104M	275.0	3.8 (8.38)
CKZ-80A006	ACA105M	305.0	4.2 (9.27)
CKZ-80A007	ACA106M	335.0	4.5 (9.93)
CKZ-80A008	ACA107M	365.0	4.9 (10.81)
CKZ-80A009	ACA108M	395.0	5.3 (11.69)

20 mm Offset-Plain

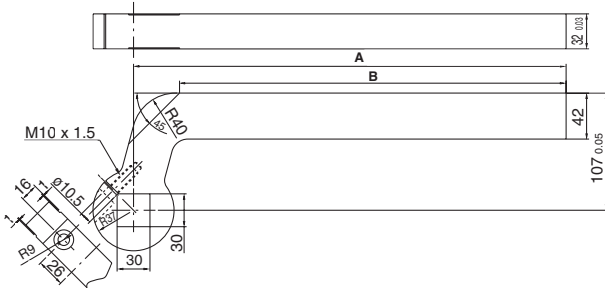


Part no.	NAAMS code	A	Weight kg (lbs)
CKZ-80A019	ACA120M	155.0	2.4 (5.29)
CKZ-80A020	ACA121M	185.0	2.7 (5.96)
CKZ-80A021	ACA122M	215.0	3.0 (6.62)
CKZ-80A022	ACA123M	245.0	3.3 (7.28)
CKZ-80A023	ACA124M	275.0	3.6 (7.94)
CKZ-80A024	ACA125M	305.0	3.9 (8.60)
CKZ-80A025	ACA126M	335.0	4.2 (9.27)
CKZ-80A026	ACA127M	365.0	4.6 (10.15)
CKZ-80A027	ACA128M	395.0	4.9 (10.81)

Series CKZ2N

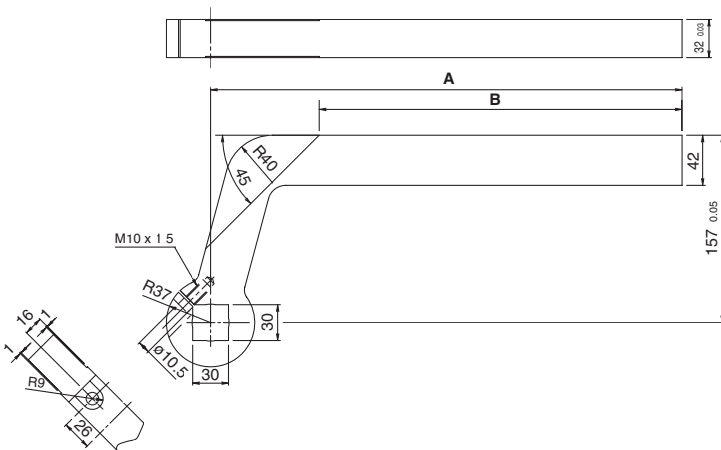
Dimensions

65 mm Offset-Plain



Part no.	NAAMS code	A	B	Weight kg (lbs)
CKZ-80A037	ACA140M	155.0	113.0	2.7 (5.96)
CKZ-80A038	ACA141M	185.0	143.0	3.0 (6.62)
CKZ-80A039	ACA142M	215.0	173.0	3.3 (7.28)
CKZ-80A040	ACA143M	245.0	203.0	3.6 (7.94)
CKZ-80A041	ACA144M	275.0	233.0	3.9 (8.60)
CKZ-80A042	ACA145M	305.0	263.0	4.2 (9.27)
CKZ-80A043	ACA146M	335.0	293.0	4.5 (9.93)
CKZ-80A044	ACA147M	365.0	323.0	4.8 (10.59)
CKZ-80A045	ACA148M	395.0	353.0	5.1 (11.25)

115 mm Offset-Plain



Part no.	NAAMS code	A	B	Weight kg (lbs)
CKZ-80A055	ACA160M	155.0	64.0	3.0 (6.62)
CKZ-80A056	ACA161M	185.0	94.0	3.3 (7.28)
CKZ-80A057	ACA162M	215.0	124.0	3.6 (7.94)
CKZ-80A058	ACA163M	245.0	154.0	3.9 (8.60)
CKZ-80A059	ACA164M	275.0	184.0	4.2 (9.27)
CKZ-80A060	ACA165M	305.0	214.0	4.5 (9.93)
CKZ-80A061	ACA166M	335.0	244.0	4.8 (10.59)
CKZ-80A062	ACA167M	365.0	274.0	5.2 (11.47)
CKZ-80A063	ACA168M	395.0	304.0	5.5 (12.14)

