

Series CKZ2N

Part Number (Arm)

Bore size	SMC Part Number	Code	NAAMS Ref No.
50	CKZ-50A001	A001	ACA201M
	CKZ-50A002	A002	ACA202M
	CKZ-50A003	A003	ACA203M
	CKZ-50A004	A004	ACA206M
	CKZ-50A005	A005	ACA207M
	CKZ-50A006	A006	ACA208M
	CKZ-50A007	A007	ACA211M
	CKZ-50A008	A008	ACA212M
	CKZ-50A009	A009	ACA213M
	CKZ-50A010	A010	ACA216M
	CKZ-50A011	A011	ACA217M
	CKZ-50A012	A012	ACA218M
	CKZ-50A013	A013	ACA221M
	CKZ-50A014	A014	ACA222M
	CKZ-50A015	A015	ACA223M
	CKZ-50A016	A016	ACA226M
	CKZ-50A017	A017	ACA227M
	CKZ-50A018	A018	ACA228M
	CKZ-50A019	A019	ACA236M
	CKZ-50A020	A020	ACA237M
	CKZ-50A021	A021	ACA238M
	CKZ-50A022	A022	ACA246M
	CKZ-50A023	A023	ACA247M
	CKZ-50A024	A024	ACA248M
	CKZ-50A025	A025	ACA256M
	CKZ-50A026	A026	ACA257M
	CKZ-50A027	A027	ACA258M
63	CKZ-63A001	A001	ACA001M
	CKZ-63A002	A002	ACA002M
	CKZ-63A003	A003	ACA003M
	CKZ-63A004	A004	ACA004M
	CKZ-63A005	A005	ACA005M
	CKZ-63A006	A006	ACA006M
	CKZ-63A007	A007	ACA007M
	CKZ-63A008	A008	ACA008M
	CKZ-63A009	A009	ACA009M
	CKZ-63A010	A010	ACA010M
	CKZ-63A011	A011	ACA011M

Bore size	SMC Part Number	Code	NAAMS Ref No.
63	CKZ-63A012	A012	ACA012M
	CKZ-63A013	A013	ACA013M
	CKZ-63A014	A014	ACA014M
	CKZ-63A015	A015	ACA015M
	CKZ-63A016	A016	ACA016M
	CKZ-63A017	A017	ACA017M
	CKZ-63A018	A018	ACA018M
	CKZ-63A019	A019	ACA019M
	CKZ-63A020	A020	ACA020M
	CKZ-63A021	A021	ACA021M
	CKZ-63A022	A022	ACA022M
	CKZ-63A023	A023	ACA023M
	CKZ-63A024	A024	ACA024M
	CKZ-63A025	A025	ACA025M
	CKZ-63A026	A026	ACA026M
	CKZ-63A027	A027	ACA027M
	CKZ-63A028	A028	ACA028M
	CKZ-63A029	A029	ACA029M
	CKZ-63A030	A030	ACA030M
	CKZ-63A031	A031	ACA031M
	CKZ-63A032	A032	ACA032M
	CKZ-63A033	A033	ACA033M
	CKZ-63A034	A034	ACA034M
	CKZ-63A035	A035	ACA035M
	CKZ-63A036	A036	ACA036M
	CKZ-63A037	A037	ACA037M
	CKZ-63A038	A038	ACA038M
	CKZ-63A039	A039	ACA039M
	CKZ-63A040	A040	ACA040M
	CKZ-63A041	A041	ACA041M
	CKZ-63A042	A042	ACA042M
	CKZ-63A043	A043	ACA043M
	CKZ-63A044	A044	ACA044M
	CKZ-63A045	A045	ACA045M
	CKZ-63A046	A046	ACA046M
	CKZ-63A047	A047	ACA047M
	CKZ-63A048	A048	ACA048M

Bore size	SMC Part Number	Code	NAAMS Ref No.
80	CKZ-80A001	A001	ACA100M
	CKZ-80A002	A002	ACA101M
	CKZ-80A003	A003	ACA102M
	CKZ-80A004	A004	ACA103M
	CKZ-80A005	A005	ACA104M
	CKZ-80A006	A006	ACA105M
	CKZ-80A007	A007	ACA106M
	CKZ-80A008	A008	ACA107M
	CKZ-80A009	A009	ACA108M
	CKZ-80A010	A010	ACA110M
	CKZ-80A011	A011	ACA111M
	CKZ-80A012	A012	ACA112M
	CKZ-80A013	A013	ACA113M
	CKZ-80A014	A014	ACA114M
	CKZ-80A015	A015	ACA115M
	CKZ-80A016	A016	ACA116M
	CKZ-80A017	A017	ACA117M
	CKZ-80A018	A018	ACA118M
	CKZ-80A019	A019	ACA120M
	CKZ-80A020	A020	ACA121M
	CKZ-80A021	A021	ACA122M
	CKZ-80A022	A022	ACA123M
	CKZ-80A023	A023	ACA124M
	CKZ-80A024	A024	ACA125M
	CKZ-80A025	A025	ACA126M
	CKZ-80A026	A026	ACA127M
	CKZ-80A027	A027	ACA128M
	CKZ-80A028	A028	ACA130M
	CKZ-80A029	A029	ACA131M
	CKZ-80A030	A030	ACA132M
	CKZ-80A031	A031	ACA133M
	CKZ-80A032	A032	ACA134M
	CKZ-80A033	A033	ACA135M
	CKZ-80A034	A034	ACA136M
	CKZ-80A035	A035	ACA137M
	CKZ-80A036	A036	ACA138M
	CKZ-80A037	A037	ACA140M

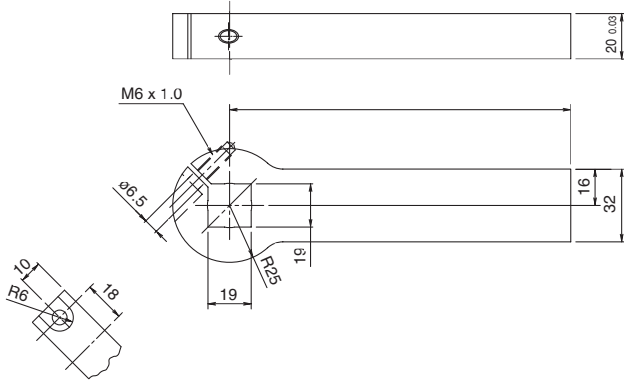
Bore size	SMC Part Number	Code	NAAMS Ref No.
80	CKZ-80A038	A038	ACA141M
	CKZ-80A039	A039	ACA142M
	CKZ-80A040	A040	ACA143M
	CKZ-80A041	A041	ACA144M
	CKZ-80A042	A042	ACA145M
	CKZ-80A043	A043	ACA146M
	CKZ-80A044	A044	ACA147M
	CKZ-80A045	A045	ACA148M
	CKZ-80A046	A046	ACA150M
	CKZ-80A047	A047	ACA151M
	CKZ-80A048	A048	ACA152M
	CKZ-80A049	A049	ACA153M
	CKZ-80A050	A050	ACA154M
	CKZ-80A051	A051	ACA155M
	CKZ-80A052	A052	ACA156M
	CKZ-80A053	A053	ACA157M
	CKZ-80A054	A054	ACA158M
	CKZ-80A055	A055	ACA160M
	CKZ-80A056	A056	ACA161M
	CKZ-80A057	A057	ACA162M
	CKZ-80A058	A058	ACA163M
	CKZ-80A059	A059	ACA164M
CKZ-80A060	A060	ACA165M	
CKZ-80A061	A061	ACA166M	
CKZ-80A062	A062	ACA167M	
CKZ-80A063	A063	ACA168M	
CKZ-80A064	A064	ACA170M	
CKZ-80A065	A065	ACA171M	
CKZ-80A066	A066	ACA172M	
CKZ-80A067	A067	ACA173M	
CKZ-80A068	A068	ACA174M	
CKZ-80A069	A069	ACA175M	
CKZ-80A070	A070	ACA176M	
CKZ-80A071	A071	ACA177M	
CKZ-80A072	A072	ACA178M	

Symbol is described at end of model number.

Series CKZ2N

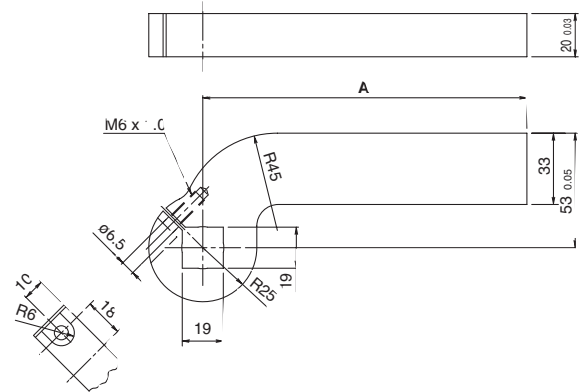
Dimensions

Arm / ø50 Straight-Plain



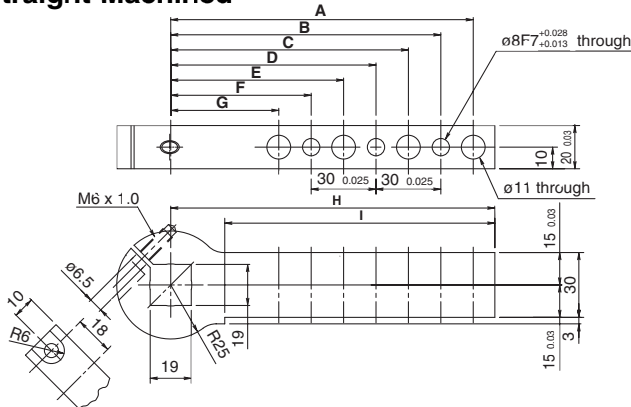
Part no.	NAAMS code	A	Weight kg (lbs)
CKZ-50A001	ACA201M	90.0	0.6 (1.32)
CKZ-50A002	ACA202M	120.0	0.7 (1.54)
CKZ-50A003	ACA203M	150.0	0.9 (1.98)

20 mm Offset-Plain



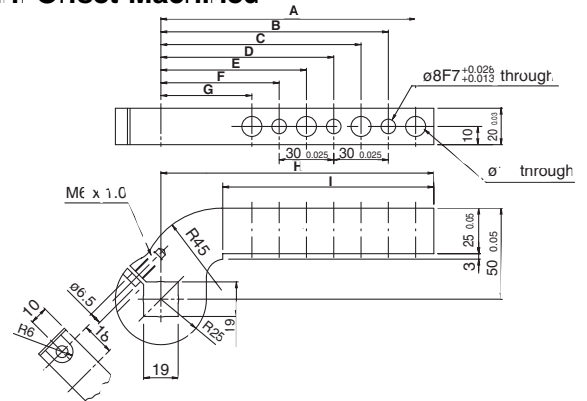
Part no.	NAAMS code	A	Weight kg (lbs)
CKZ-50A007	ACA211M	90.0	0.7 (1.54)
CKZ-50A008	ACA212M	120.0	0.8 (1.76)
CKZ-50A009	ACA213M	150.0	1.0 (2.20)

Straight-Machined



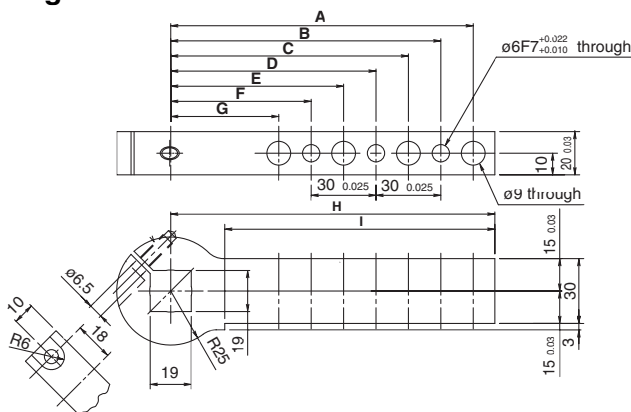
Part no.	NAAMS code	A	B	C	D	E	F	G	H	I	Weight kg (lbs)
CKZ-50A004	ACA206M	80.0	65.0	50.0	-	-	-	-	90.0	65.0	0.5 (1.10)
CKZ-50A005	ACA207M	110.0	95.0	80.0	65.0	50.0	-	-	120.0	95.0	0.6 (1.32)
CKZ-50A006	ACA208M	140.0	125.0	110.0	95.0	80.0	65.0	50.0	150.0	125.0	0.7 (1.54)

25 mm Offset-Machined



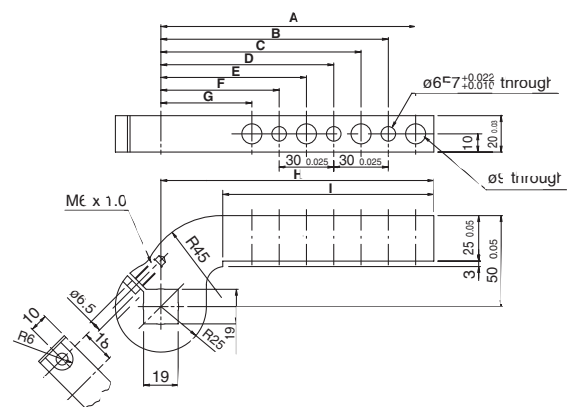
Part no.	NAAMS code	A	B	C	D	E	F	G	H	I	Weight kg (lbs)
CKZ-50A010	ACA216M	80.0	65.0	50.0	-	-	-	-	90.0	56.0	0.5 (1.10)
CKZ-50A011	ACA217M	110.0	95.0	80.0	65.0	50.0	-	-	120.0	86.0	0.6 (1.32)
CKZ-50A012	ACA218M	140.0	125.0	110.0	95.0	80.0	65.0	50.0	150.0	116.0	0.7 (1.54)

Straight-Machined



Part no.	NAAMS code	A	B	C	D	E	F	G	H	I	Weight kg (lbs)
CKZ-50A019	ACA236M	80.0	65.0	50.0	-	-	-	-	90.0	65.0	0.5 (1.10)
CKZ-50A020	ACA237M	110.0	95.0	80.0	65.0	50.0	-	-	120.0	95.0	0.6 (1.32)
CKZ-50A021	ACA238M	140.0	125.0	110.0	95.0	80.0	65.0	50.0	150.0	125.0	0.7 (1.54)

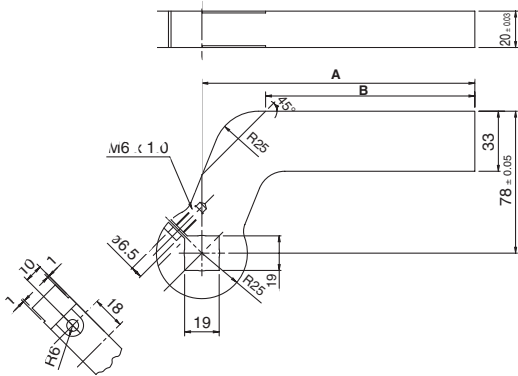
25 mm Offset-Machined



Part no.	NAAMS code	A	B	C	D	E	F	G	H	I	Weight kg (lbs)
CKZ-50A022	ACA246M	80.0	65.0	50.0	-	-	-	-	90.0	56.0	0.5 (1.10)
CKZ-50A023	ACA247M	110.0	95.0	80.0	65.0	50.0	-	-	120.0	86.0	0.6 (1.32)
CKZ-50A024	ACA248M	140.0	125.0	110.0	95.0	80.0	65.0	50.0	150.0	116.0	0.7 (1.54)

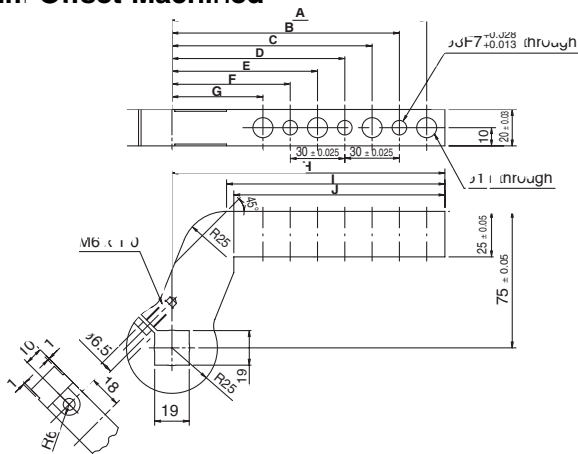
Dimensions

45 mm Offset-Plain



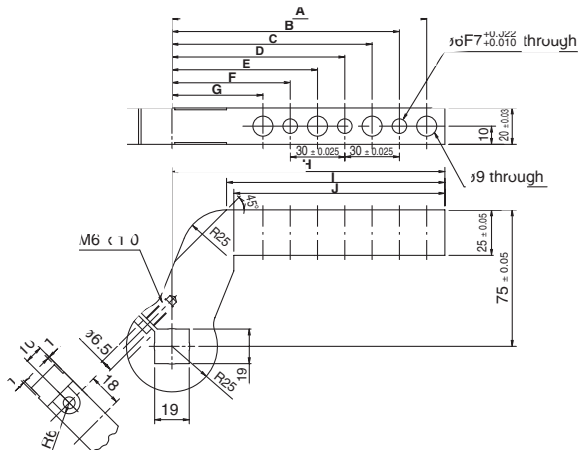
Part no.	NAAMS code	A	B	Weight kg (lbs)
CKZ-50A013	ACA221M	90.0	55.0	0.8 (1.76)
CKZ-50A014	ACA222M	120.0	85.0	0.9 (1.98)
CKZ-50A015	ACA223M	150.0	115.0	1.1 (2.42)

50 mm Offset-Machined



Part no.	NAAMS code	A	B	C	D	E	F	G	H	I	J	Weight kg (lbs)
CKZ-50A016	ACA226M	80.0	65.0	50.0	-	-	-	-	90.0	60.0	56.0	0.6 (1.32)
CKZ-50A017	ACA227M	110.0	95.0	80.0	65.0	50.0	-	-	120.0	90.0	86.0	0.7 (1.54)
CKZ-50A018	ACA228M	140.0	125.0	110.0	95.0	80.0	65.0	50.0	150.0	120.0	116.0	0.8 (1.76)

50 mm Offset-Machined



Part no.	NAAMS code	A	B	C	D	E	F	G	H	I	J	Weight kg (lbs)
CKZ-50A025	ACA256M	80.0	65.0	50.0	-	-	-	-	90.0	60.0	56.0	0.6 (1.32)
CKZ-50A026	ACA257M	110.0	95.0	80.0	65.0	50.0	-	-	120.0	90.0	86.0	0.7 (1.54)
CKZ-50A027	ACA258M	140.0	125.0	110.0	95.0	80.0	65.0	50.0	150.0	120.0	116.0	0.8 (1.76)