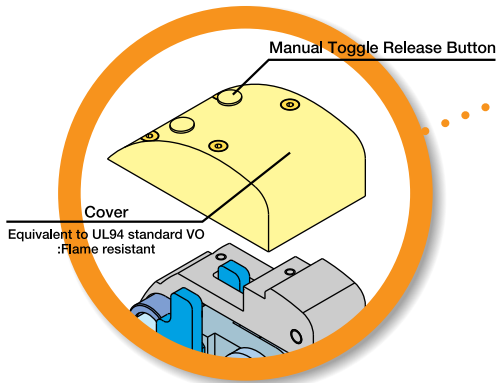


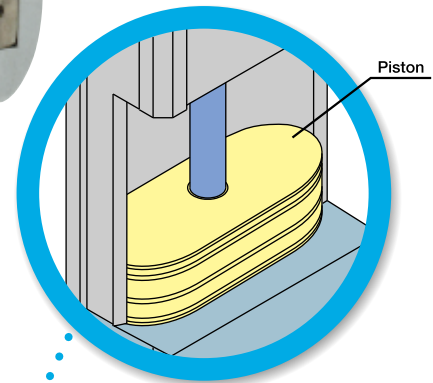
Lean & Mean

Rounded cover design reduces weld spatter accumulation

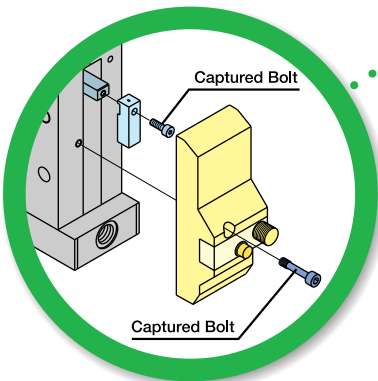
The release button only protrudes a small amount. This design prevents failure of the release mechanism due to weld spatter accumulation.



Elliptical design for space saving

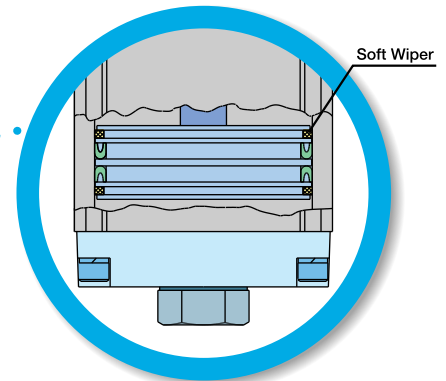


Proximity cassette installation and removal easily accomplished by unfastening a single bolt



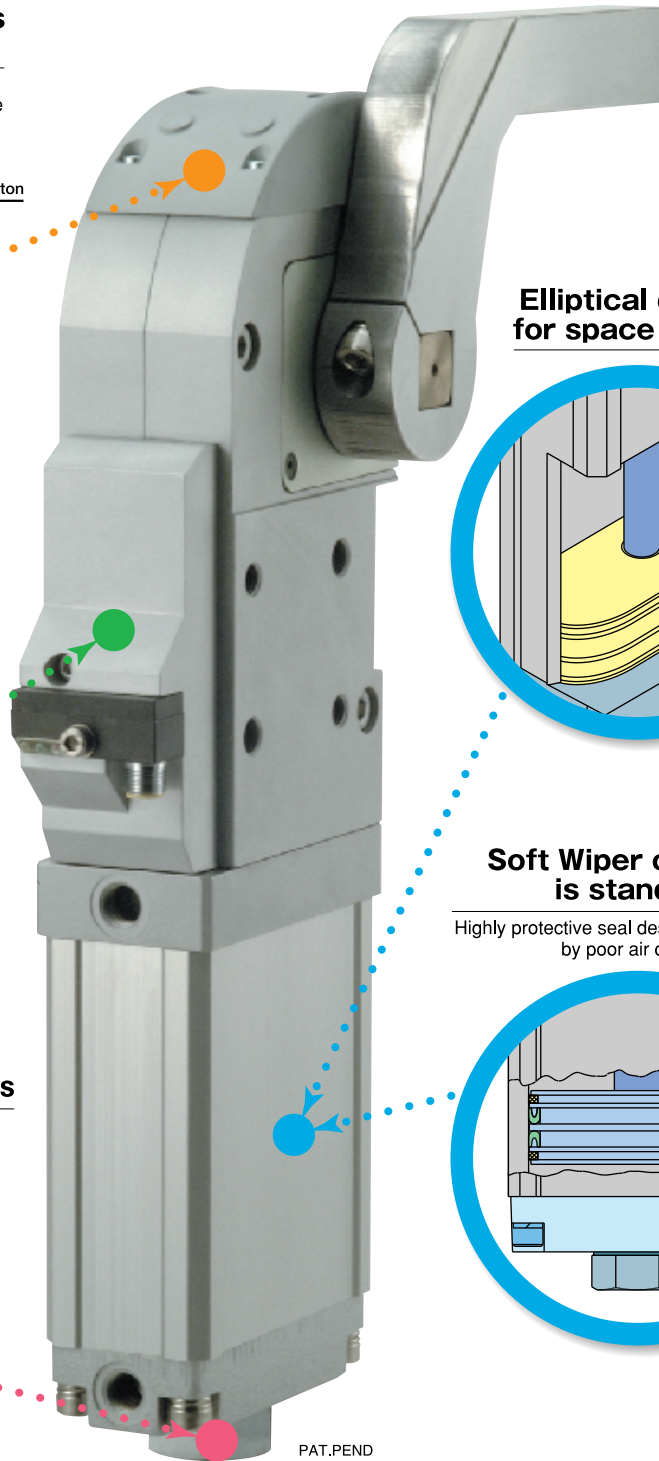
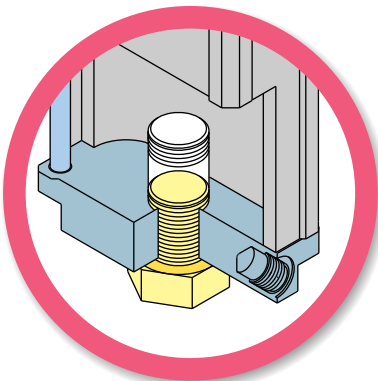
Soft Wiper on piston is standard

Highly protective seal design is less effected by poor air quality.



Simple Arm Opening Angle Changes

Cylinder disassembly is not necessary. The arm opening angle can be changed by replacing the stopper bolt.



PAT.PEND

Slim Line Power Clamp Cylinder

Series CKZN

Coming out in
**February,
2001**

① Toggle Link Mechanism
Maintains secure and powerful support.

② Fulcrum Stopper
Coordinates with the external stopper and forms the toggle mechanism.

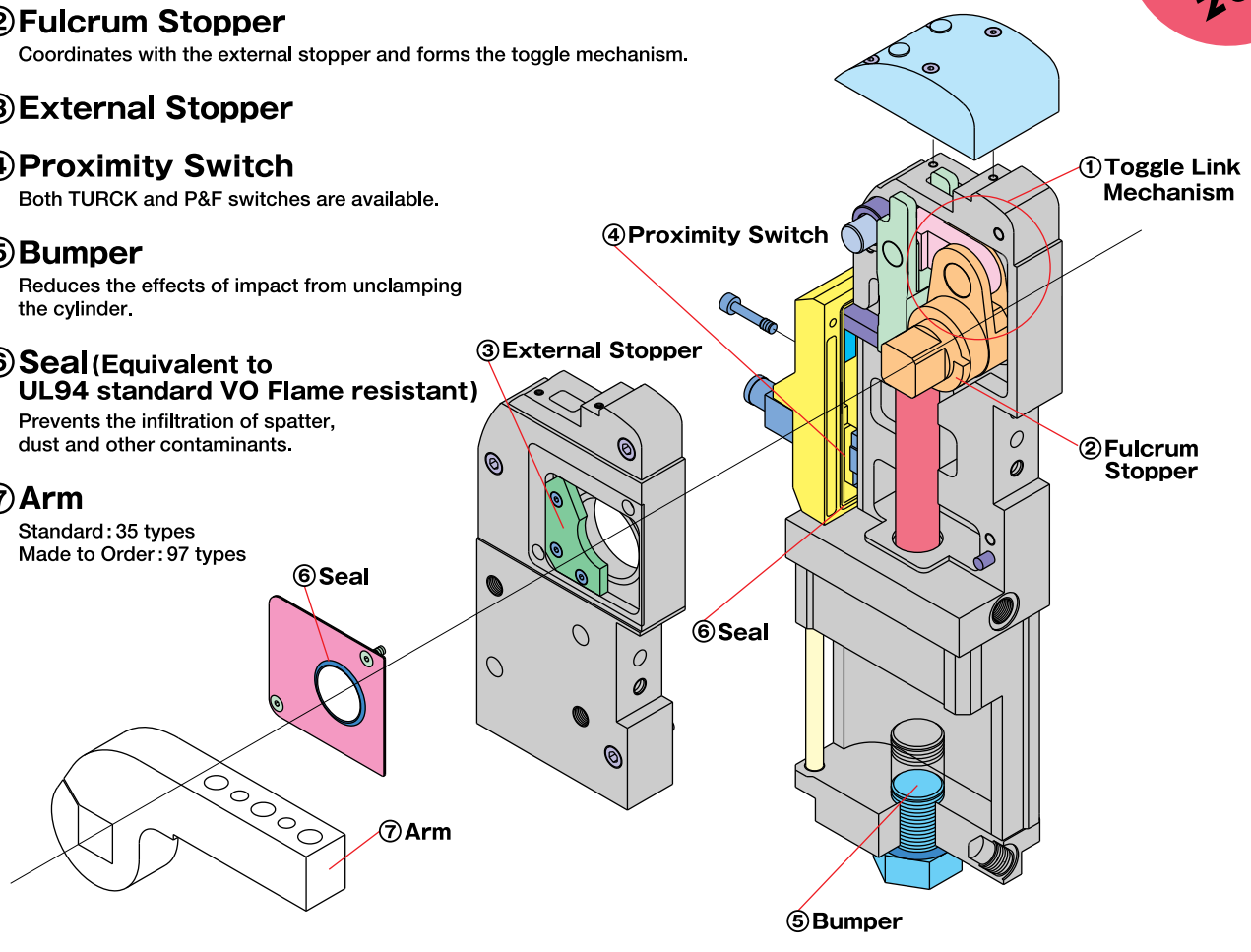
③ External Stopper

④ Proximity Switch
Both TURCK and P&F switches are available.

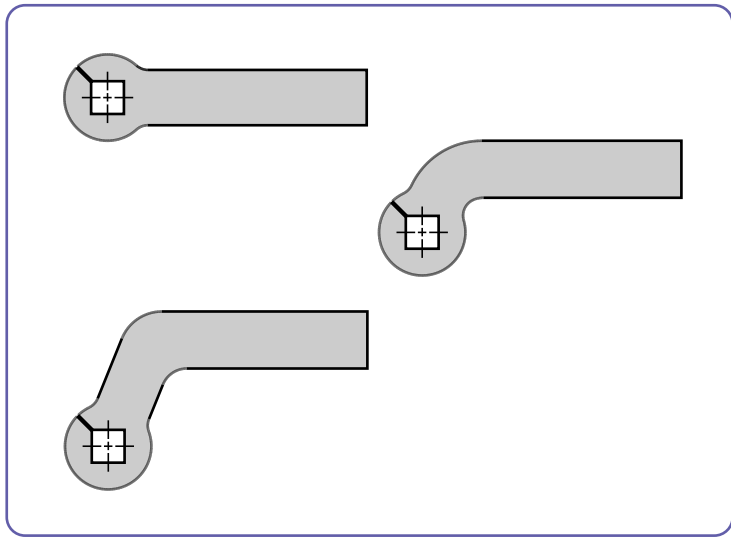
⑤ Bumper
Reduces the effects of impact from unclamping the cylinder.

⑥ Seal (Equivalent to UL94 standard VO Flame resistant)
Prevents the infiltration of spatter, dust and other contaminants.

⑦ Arm
Standard : 35 types
Made to Order : 97 types



■ Arm Variations



■ Series Variations

Series	CKZN		
Bore Size (mm)	ø 50 Equivalent	ø 63 Equivalent	ø 80 Equivalent
Arm Opening Angle	30°, 45°, 60°, 75° 90°, 105°, 120°, 135°		
Switch	TURCK/P&F		
Port Thread Type	NPT/G		

SMC CORPORATION

1-16-4 Shimbashi, Minato-ku, Tokyo 105-0004, JAPAN
Tel: 03-3502-2740 Fax: 03-3508-2480
URL <http://www.smcworld.com>
©2001 SMC CORPORATION All Rights Reserved

1st printing FO D-AMZ P-50 (AMZ)

This pamphlet is printed on recycled paper with concern for the global environment.

Specifications are subject to change without prior notice and any obligation on the part of the manufacturer.

Printed in Japan.