

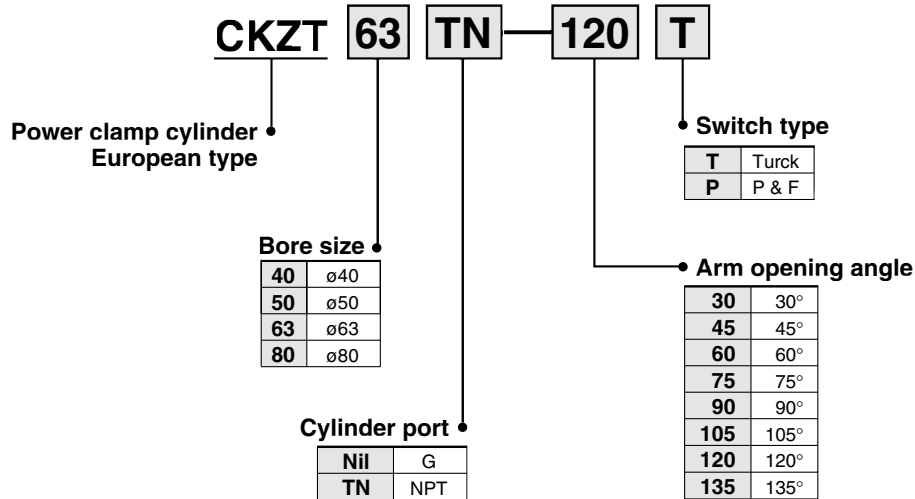
Power Clamp Cylinder

Series CKZT

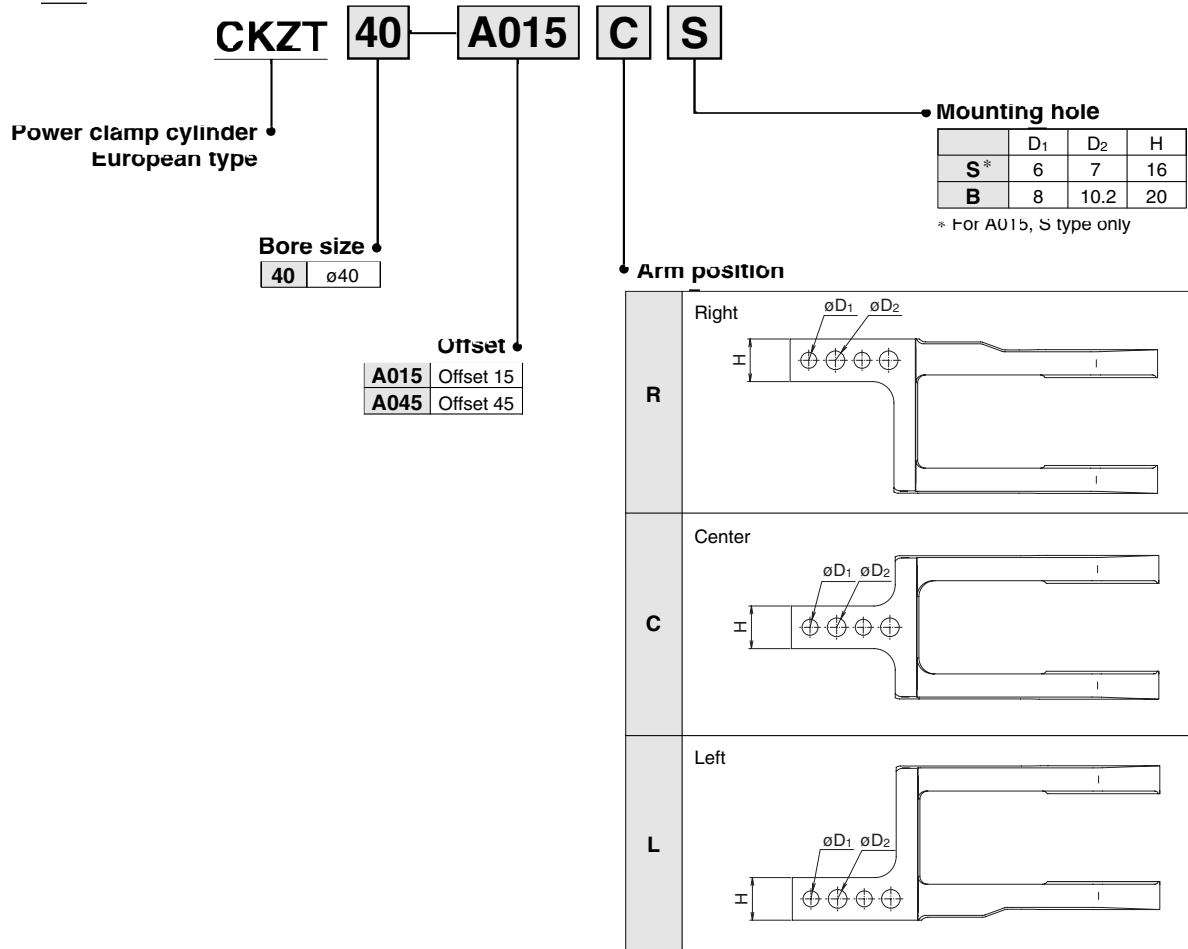
ø40, ø50 ø63, ø80

How to Order

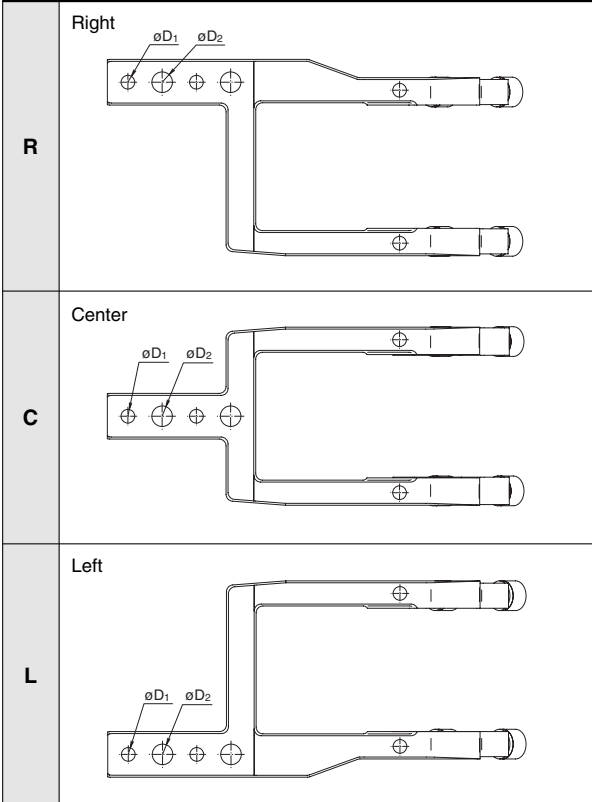
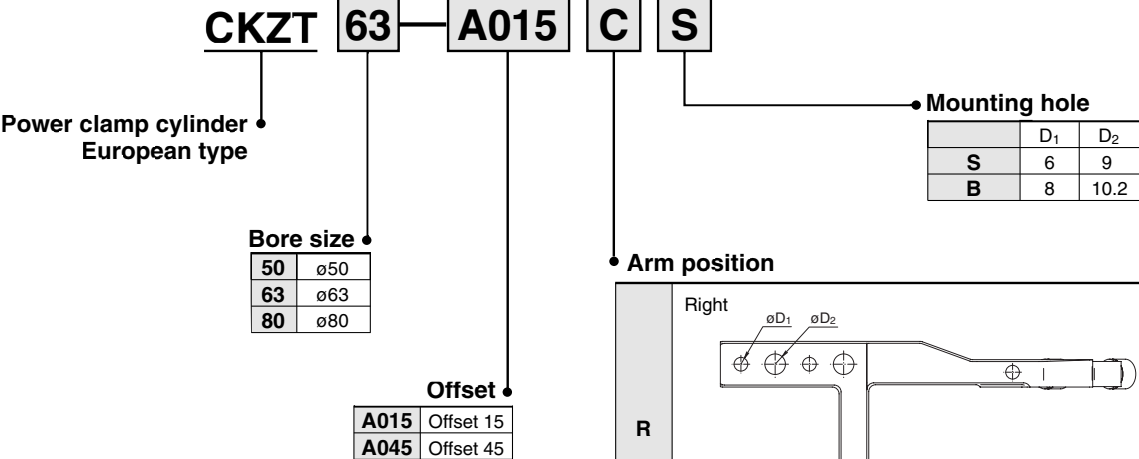
Clamp Cylinder Without Arm



Clamp Arm (40)

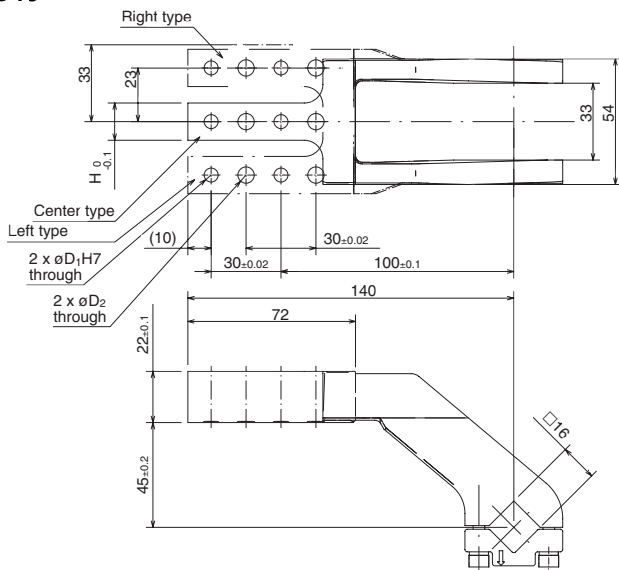


Clamp Cylinder (50, 63, 80)



Dimensions (Clamp Arm Offset 45)

ø40



How to Order

CKZT40-A045 C S

Mounting hole

| | D ₁ | D ₂ | H |
|---|----------------|----------------|----|
| S | 6 | 7 | 16 |
| B | 8 | 10.2 | 20 |

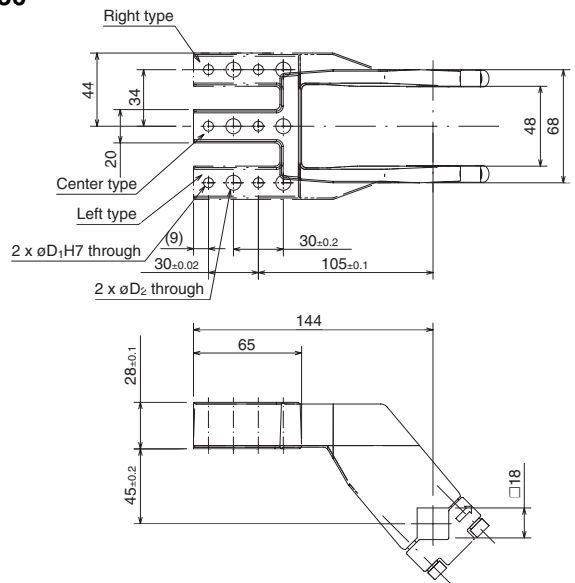
Weight

| | |
|---------------|---------|
| CKZT40-A045CS | 0.63 kg |
| CKZT40-A045CB | 0.64 kg |
| CKZT40-A045RS | 0.64 kg |
| CKZT40-A045RB | 0.66 kg |
| CKZT40-A045LS | 0.64 kg |
| CKZT40-A045LB | 0.66 kg |

Arm position

| | |
|---|--------|
| C | Center |
| R | Right |
| L | Left |

ø50



How to Order

CKZT50-A045 C S

Mounting hole

| | D ₁ | D ₂ |
|---|----------------|----------------|
| S | 6 | 9 |
| B | 8 | 10.2 |

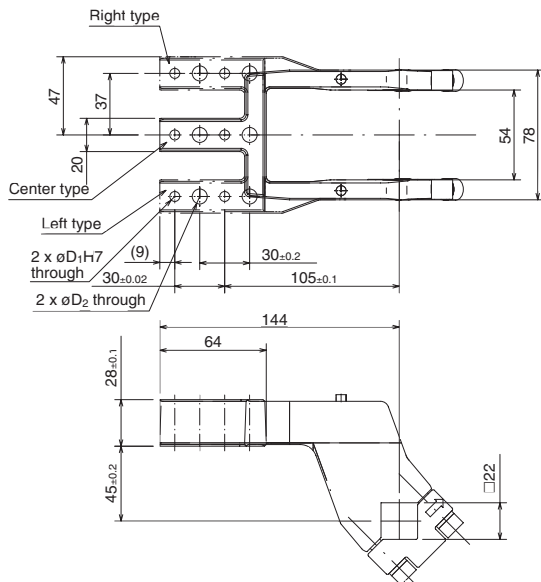
Weight

| | |
|---------------|---------|
| CKZT50-A045CS | 0.93 kg |
| CKZT50-A045CB | 0.92 kg |
| CKZT50-A045RS | 1.02 kg |
| CKZT50-A045RB | 1.01 kg |
| CKZT50-A045LS | 1.02 kg |
| CKZT50-A045LB | 1.01 kg |

Arm position

| | |
|---|--------|
| C | Center |
| R | Right |
| L | Left |

ø63



How to Order

CKZT63-A045 C S

Mounting hole

| | D ₁ | D ₂ |
|---|----------------|----------------|
| S | 6 | 9 |
| B | 8 | 10.2 |

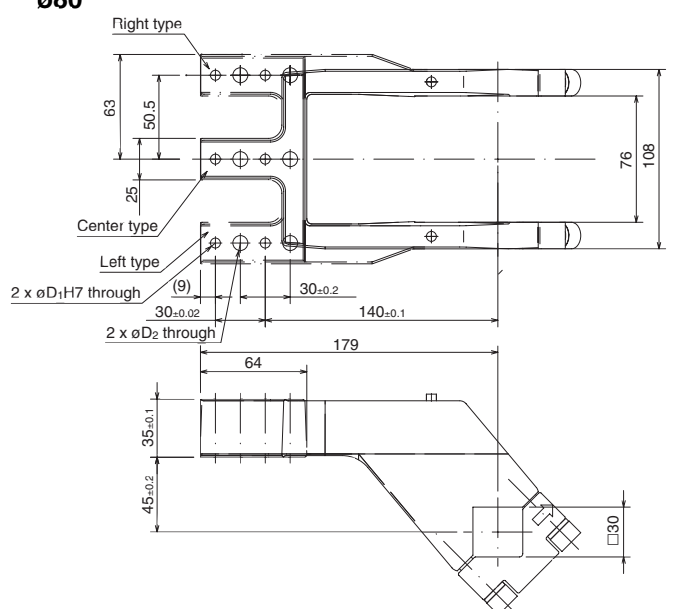
Weight

| | |
|---------------|---------|
| CKZT63-A045CS | 1.19 kg |
| CKZT63-A045CB | 1.18 kg |
| CKZT63-A045RS | 1.25 kg |
| CKZT63-A045RB | 1.23 kg |
| CKZT63-A045LS | 1.25 kg |
| CKZT63-A045LB | 1.23 kg |

Arm position

| | |
|---|--------|
| C | Center |
| R | Right |
| L | Left |

ø80



How to Order

CKZT80-A045 C S

Mounting hole

| | D ₁ | D ₂ |
|---|----------------|----------------|
| S | 6 | 9 |
| B | 8 | 10.2 |

Weight

| | |
|---------------|---------|
| CKZT80-A045CS | 2.46 kg |
| CKZT80-A045CB | 2.44 kg |
| CKZT80-A045RS | 2.61 kg |
| CKZT80-A045RB | 2.59 kg |
| CKZT80-A045LS | 2.61 kg |
| CKZT80-A045LB | 2.59 kg |

Arm position

| | |
|---|--------|
| C | Center |
| R | Right |
| L | Left |