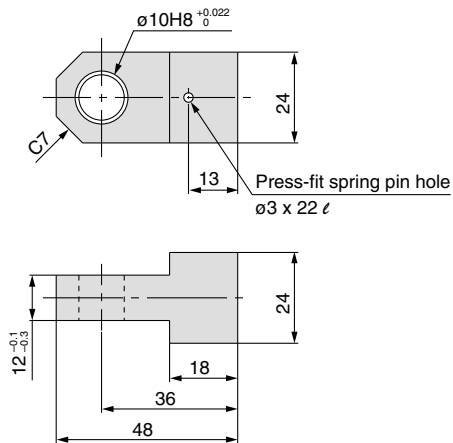


Series CLK2 Accessories

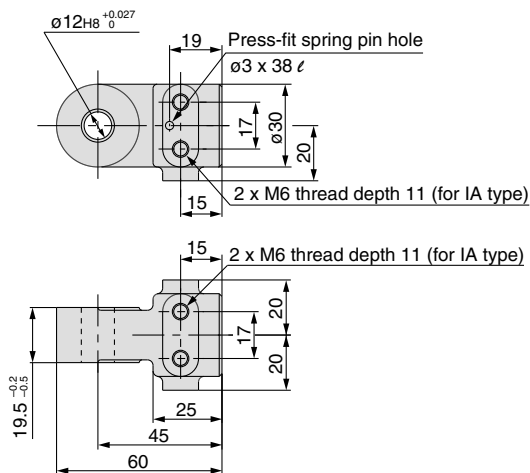
Single Knuckle Joint

For $\varnothing 32$



CLK-I03

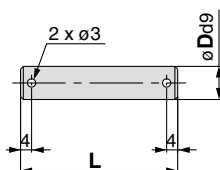
For $\varnothing 40, \varnothing 50, \varnothing 63$



Part no.	Rod end bracket symbol	Applicable clamp cylinder
CLK-I04	I (M6 without tap)	CLK2□A40 series
CLK-IA04	IA (M6 with tap)	CLK2□B40 series
CKB-I04	I (M6 without tap)	CLK2□A50 to 63 series
CKB-IA04	IA (M6 with tap)	CLK2□B50 to 63 series

Note) The conventional model (the CLK1 series) is equivalent to the component part no. CLK-IA04, CKB-IA04 (rod end bracket symbol IA).

Pin (for Clevis/Double Knuckle Joint)

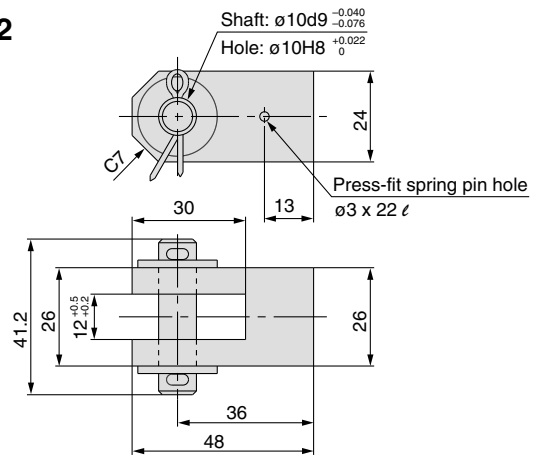


Part no.	D	L	Applicable clamp cylinder
CDP-2	10 $\begin{matrix} -0.040 \\ -0.076 \end{matrix}$	41.2	CLK2□A32 series
CK-P04	12 $\begin{matrix} -0.050 \\ -0.093 \end{matrix}$	57	CLK2□□40 to 63 series

Note) Cotter pin and flat washer are provided as a standard.

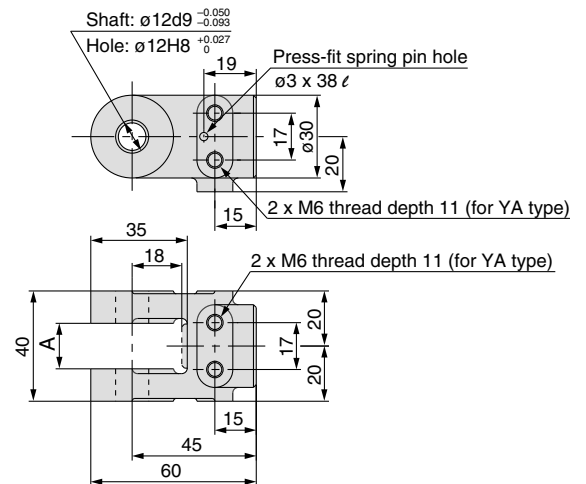
Double Knuckle Joint

For $\varnothing 32$



CLK-Y03

For $\varnothing 40, \varnothing 50, \varnothing 63$



Part no.	Rod end bracket symbol	A	Applicable clamp cylinder
CLK-Y04	Y (M6 without tap)	16.5 $\begin{matrix} +0.3 \\ 0 \end{matrix}$	CLK2□A40 series
CLK-YA04	YA (M6 with tap)		CLK2□A50 to 63 series
CKA-Y04	Y (M6 without tap)	19.5 $\begin{matrix} +0.4 \\ 0 \end{matrix}$	CLK2□B50 to 63 series
CKA-YA04	YA (M6 with tap)		CLK2□B50 to 63 series

Note 1) Pin (for knuckle), cotter pin and flat washer are attached to the double knuckle joint as a standard.

Note 2) The conventional model (the CLK1 series) is equivalent to the component part no. CLK-YA04, CKA-YA04, CKB-YA04 (rod end bracket symbol YA).