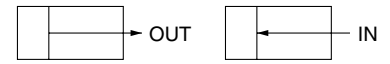


Series CLQ



Theoretical Output

Mounting Bracket Part No.

Bore size (mm)	Foot ⁽¹⁾	Flange	Double clevis ⁽³⁾
20	CLQ-L020	CLQ-F020	CLQ-D020
25	CLQ-L025	CLQ-F025	CLQ-D025
32	CLQ-L032	CLQ-F032	CLQ-D032
40	CLQ-L040	CLQ-F040	CLQ-D040
50	CLQ-L050	CLQ-F050	CLQ-D050
63	CLQ-L063	CLQ-F063	CLQ-D063
80	CLQ-L080	CLQ-F080	CLQ-D080
100	CLQ-L100	CLQ-F100	CLQ-D100

Note 1) When ordering foot bracket, order 2 pieces per cylinder.

Note 2) Parts belonging to each bracket are as follows. Foot, Flange: Body mounting screws, Double clevis: Clevis pin, C type snap ring for shaft, Body mounting screws, Flat washer.

Note 3) Clevis pin and snap ring are included with the double clevis style.

Auto Switch Mounting Bracket/ Part No. (Rail mounting style)

Bore size (mm)	Mounting bracket part no.	Note
32, 40 50, 63 80, 100	BQ-2	<ul style="list-style-type: none"> Switch mounting screw (M3 x 0.5 x 10ϕ) Switch spacer Switch mounting nut

Applicable auto switch

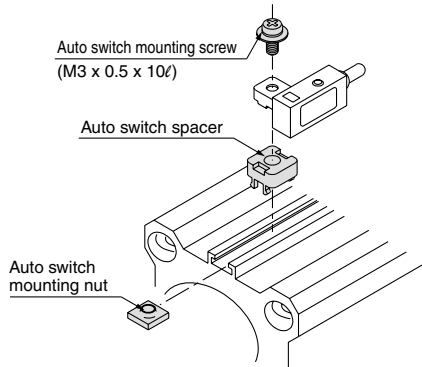
Reed switch	Solid state switch
D-A7□/A80	D-F7□/J79
D-A73C/A80C	D-F7□V
D-A7□H/A80H	D-J79C
D-A79W	D-F7□W/J79W
	D-F7□WV
	D-F7BAL/F7BAVL
	D-F79F
	D-F7NTL

[Mounting screws set made of stainless steel]

The set of stainless steel mounting screws (with nuts) described below is available and can be used depending on the operating environment. (Since the spacer is not included, order it separately.) **BBA2**: For D-A7/A8/F7/J7

The above stainless steel screw kit is used for water resistant auto switch types D-F7BAL and F7BAVL when they are shipped mounted on a cylinder.

When only a switch is shipped independently, "BBA2" screws are attached.



(N)

Bore size (mm)	Operating direction	Operating pressure (MPa)		
		0.3	0.5	0.7
20	IN	71	118	165
	OUT	94	157	220
25	IN	113	189	264
	OUT	147	245	344
32	IN	181	302	422
	OUT	241	402	563
40	IN	317	528	739
	OUT	377	628	880
50	IN	495	825	1150
	OUT	589	982	1370
63	IN	841	1400	1960
	OUT	935	1560	2180
80	IN	1360	2270	3170
	OUT	1510	2510	3520
100	IN	2140	3570	5000
	OUT	2360	3930	5500

Weight

Basic Weight: Mounting/Through-hole (Type B)

(g)

Bore size (mm)	Standard stroke (mm)											
	5	10	15	20	25	30	35	40	45	50	75	100
20 *	184	199	213	227	241	255	270	284	298	312	—	—
25 *	260	278	295	312	329	346	364	381	398	415	—	—
32	—	407	430	453	475	498	521	544	566	589	754	867
40	—	514	537	560	583	606	630	653	676	699	883	1003
50	—	838	874	910	947	983	1019	1055	1092	1128	1421	1609
63	—	1202	1242	1283	1324	1365	1406	1447	1488	1529	1877	2088
80	—	2229	2297	2364	2432	2500	2568	2636	2704	2771	3344	3678
100	—	3770	3860	3951	4041	4132	4223	4313	4404	4495	5299	5759

* Through-hole and both ends tapped are common for sizes $\phi 20$ and $\phi 25$.

Basic Weight: Mounting/Both Ends Tapped (Type A)

(g)

Bore size (mm)	Standard stroke (mm)										
	10	15	20	25	30	35	40	45	50	75	100
32	405	429	453	475	499	523	546	569	593	763	879
40	542	568	593	619	644	670	695	721	746	947	1079
50	883	922	962	1002	1041	1081	1121	1161	1200	1517	1723
63	1330	1377	1424	1471	1518	1565	1613	1660	1707	2099	2341
80	2468	2545	2623	2700	2778	2856	2933	3011	3089	3729	4113
100	4054	4154	4254	4355	4455	4556	4656	4757	4857	5730	6239

Additional Weight

(g)

Bore size (mm)	20	25	32	40	50	63	80	100
Magnet	35	45	64	77	118	158	261	380
Rod end male thread	Thread	6	12	26	27	53	53	120
	Nut	4	8	17	17	32	32	49
With rubber bumper	-2	-3	-3	-7	-9	-18	-31	-56
Foot style (Including mounting bolt)	152	174	137	149	221	288	638	1009
Rod side flange style (Including mounting bolt)	127	149	174	208	351	523	998	1307
Head side flange style (Including mounting bolt)	121	140	159	192	326	498	959	1251
Double clevis style (Including pin, snap ring, bolt and flat washer)	76	111	145	190	373	518	1064	1839

Calculation: (Example) CDLQD32-20DCM-B

• Basic weight	: CLQA32-20D-.....	453 g
• Additional weight:	Magnet.....	64 g
	Rod end male thread.....	43 g
	With rubber bumper.....	-3 g
	Double clevis.....	145 g
		702 g

When auto switches are mounted, add the weight of the auto switch and mounting bracket multiplied by the quantity.

Auto Switch Mounting Bracket Weight

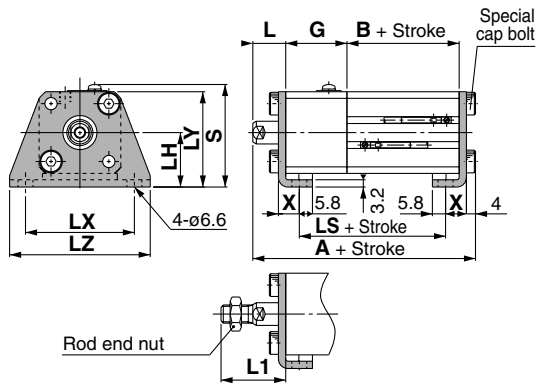
Mounting bracket part no.	Applicable bore size (mm)	Weight (g)
BQ-2	32 to 100	1.5

For the auto switch weight, refer to page 9-15-1.

Compact Cylinder with Lock Double Acting, Single Rod **Series CLQ**

Dimensions: $\varnothing 20, \varnothing 25$

Foot style: CLQL/CDLQL

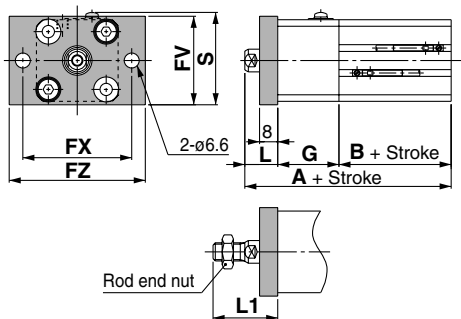


Foot Style

Bore size (mm)	Stroke range	Without auto switch			With auto switch		
		A	B	LS	A	B	LS
20	5 to 50	68.2	19.5	34.5	78.2	29.5	44.5
25	5 to 50	75.7	22.5	38.5	85.7	32.5	48.5

Bore size (mm)	G	L	L ₁	LH	LX	LY	LZ	S	X
20	27	14.5	28.5	24	48	42	62	45.2	9.2
25	31	15	32.5	26	52	46	66	49.2	10.7

Rod side flange style: CLQF/CDLQF

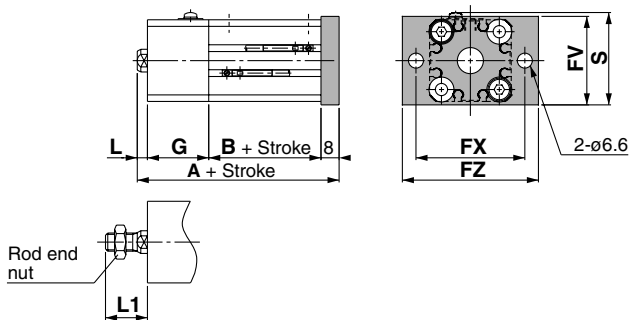


Rod Side Flange Style

Bore size (mm)	Stroke range	Without auto switch		With auto switch	
		A	B	A	B
20	5 to 50	61	19.5	71	29.5
25	5 to 50	68.5	22.5	78.5	32.5

Bore size (mm)	FV	FX	FZ	G	L	L ₁	S
20	39	48	60	27	14.5	28.5	40.7
25	42	52	64	31	15	32.5	44.2

Head side flange style: CLQG/CDLQG

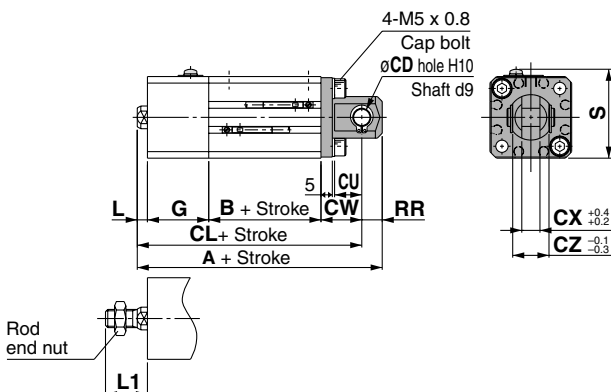


Head Side Flange Style

Bore size (mm)	Stroke range	Without auto switch		With auto switch	
		A	B	A	B
20	5 to 50	59	19.5	69	29.5
25	5 to 50	66.5	22.5	76.5	32.5

Bore size (mm)	FV	FX	FZ	G	L	L ₁	S
20	39	48	60	27	4.5	18.5	40.7
25	42	52	64	31	5	22.5	44.2

Double clevis style: CLQD/CDLQD



Double Clevis Style

Bore size (mm)	Stroke range	Without auto switch			With auto switch		
		A	B	CL	A	B	CL
20	5 to 50	78	19.5	69	88	29.5	79
25	5 to 50	88.5	22.5	78.5	98.5	32.5	88.5

Bore size (mm)	CD	CU	CW	CX	CZ	G	L	L ₁	RR	S
20	8	12	18	8	16	27	4.5	18.5	9	39.2
25	10	14	20	10	20	31	5	22.5	10	43.2

CL

CL1

MLGC

CNG

MNB

CNA

CNS

CLS

CLQ

MLGP

RLQ

MLU

ML1C

D-

-X

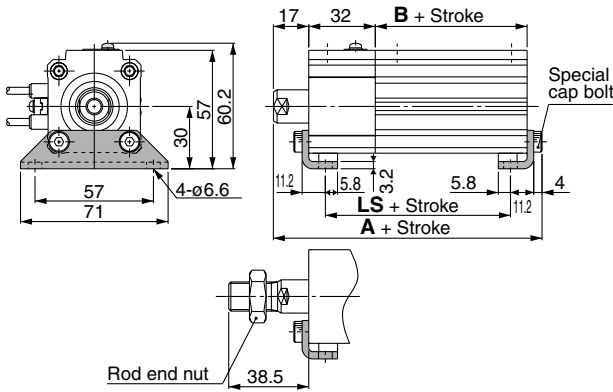
20-

Data

Compact Cylinder with Lock Double Acting, Single Rod Series **CLQ**

Dimensions: $\phi 32$

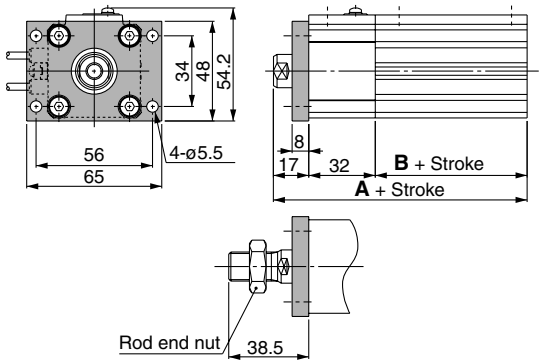
Foot style: C□LQL32



Foot Style

Bore size (mm)	Stroke range	Without auto switch			With auto switch		
		A	B	LS	A	B	LS
32	10 to 50	79.2	23	39	89.2	33	49
	75, 100	89.2	33	49			

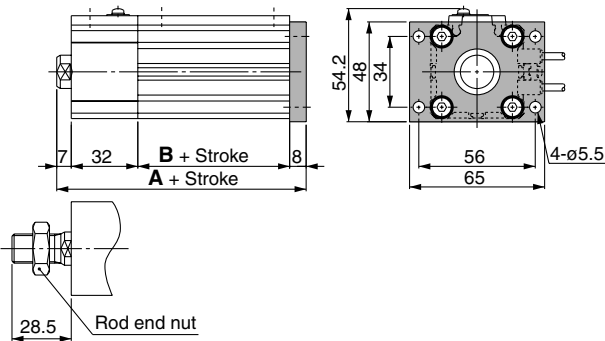
Rod side flange style: C□LQF32



Rod Side Flange Style

Bore size (mm)	Stroke range	Without auto switch		With auto switch	
		A	B	A	B
32	10 to 50	72	23	82	33
	75, 100	82	33		

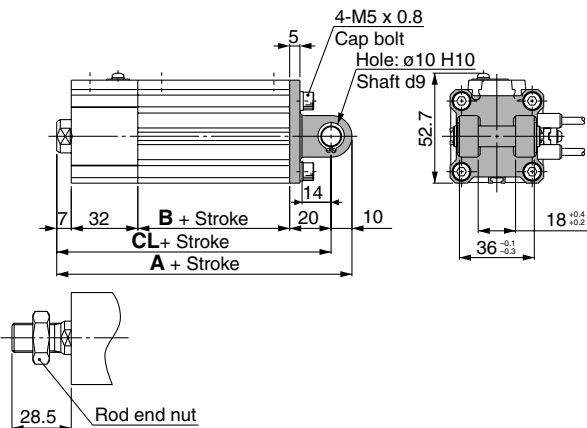
Head Side flange style: C□LQG32



Head Side Flange Style

Bore size (mm)	Stroke range	Without auto switch		With auto switch	
		A	B	A	B
32	10 to 50	70	23	80	33
	75, 100	80	33		

Double clevis style: C□LQD32



Double Clevis Style

Bore size (mm)	Stroke range	Without auto switch			With auto switch		
		A	B	CL	A	B	CL
32	10 to 50	92	23	82	102	33	92
	75, 100	102	33	92			

CL

CL1

MLGC

CNG

MNB

CNA

CNS

CLS

CLQ

MLGP

RLQ

MLU

ML1C

D-

-X

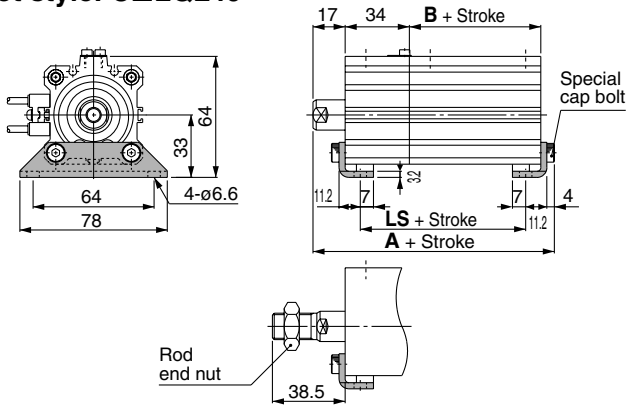
20-

Data

Compact Cylinder with Lock Double Acting, Single Rod Series **CLQ**

Dimensions: $\phi 40$

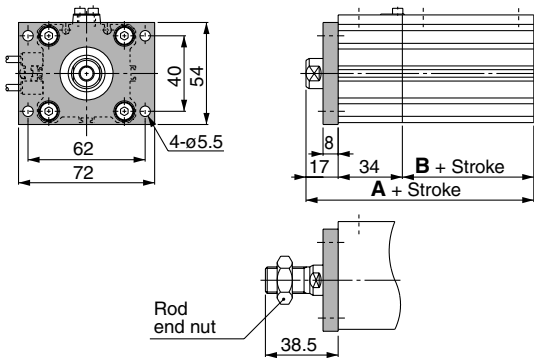
Foot style: C□LQL40



Foot Style

Bore size (mm)	Stroke range	Without auto switch			With auto switch		
		A	B	LS	A	B	LS
40	10 to 50	87.7	29.5	47.5	97.7	39.5	57.5
	75, 100	97.7	39.5	57.5			

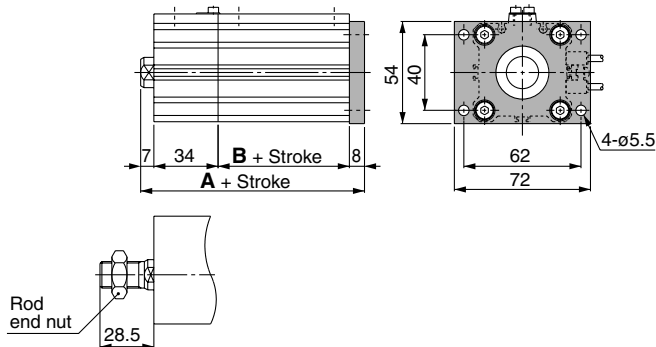
Rod side flange style: C□LQF40



Rod Side Flange Style

Bore size (mm)	Stroke range	Without auto switch		With auto switch	
		A	B	A	B
40	10 to 50	80.5	29.5	90.5	39.5
	75, 100	90.5	39.5		

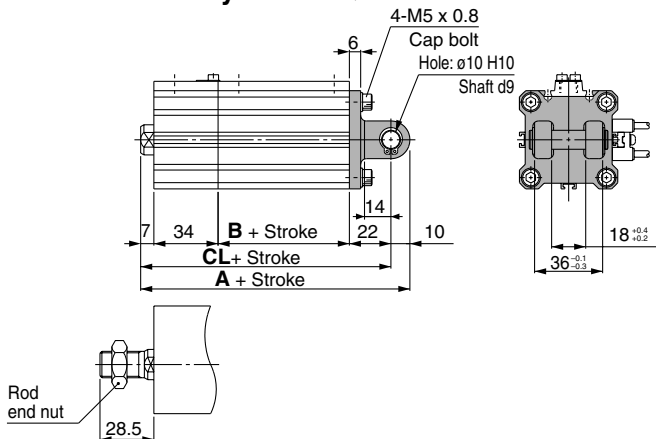
Head Side flange style: C□LQG40



Head Side Flange Style

Bore size (mm)	Stroke range	Without auto switch		With auto switch	
		A	B	A	B
40	10 to 50	78.5	29.5	88.5	39.5
	75, 100	88.5	39.5		

Double clevis style: C□LQD40



Double Clevis Style

Bore size (mm)	Stroke range	Without auto switch			With auto switch		
		A	B	CL	A	B	CL
40	10 to 50	102.5	29.5	92.5	112.5	39.5	102.5
	75, 100	112.5	39.5	102.5			

CL

CL1

MLGC

CNG

MNB

CNA

CNS

CLS

CLQ

MLGP

RLQ

MLU

ML1C

D-

-X

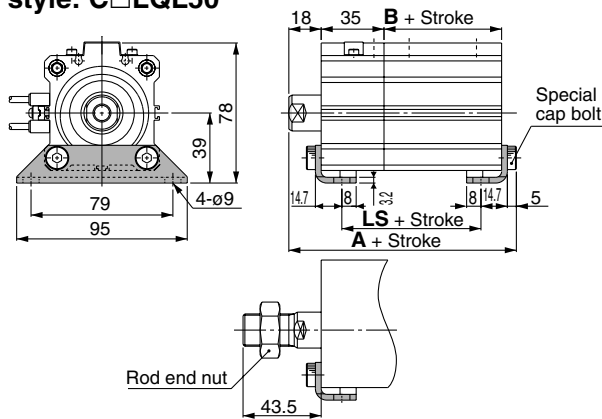
20-

Data

Compact Cylinder with Lock Double Acting, Single Rod Series **CLQ**

Dimensions: $\phi 50$

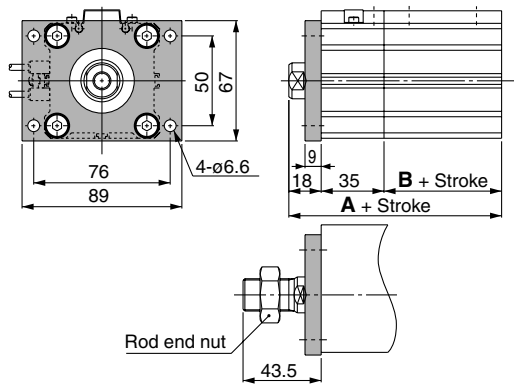
Foot style: C□LQL50



Foot Style

Bore size (mm)	Stroke range	Without auto switch			With auto switch		
		A	B	LS	A	B	LS
50	10 to 50	91.7	30.5	42.5	101.7	40.5	52.5
	75, 100	101.7	40.5	52.5			

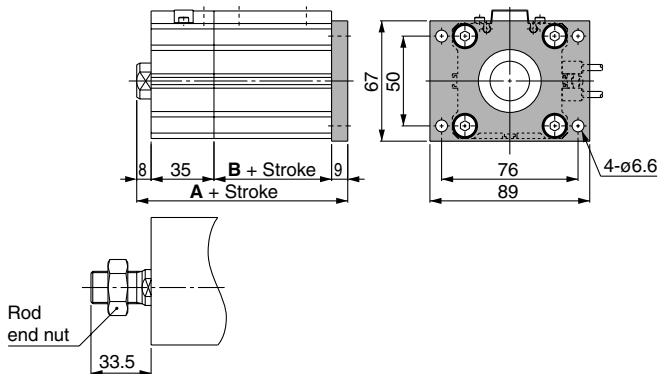
Rod side flange style: C□LQF50



Rod Side Flange Style

Bore size (mm)	Stroke range	Without auto switch		With auto switch	
		A	B	A	B
50	10 to 50	83.5	30.5	93.5	40.5
	75, 100	93.5	40.5		

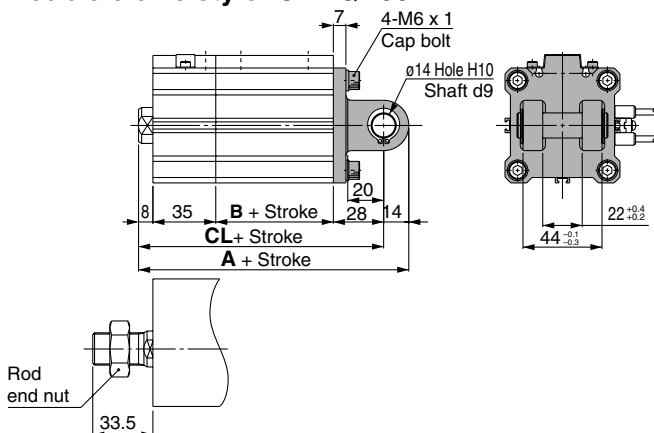
Head Side flange style: C□LQG50



Head Side Flange Style

Bore size (mm)	Stroke range	Without auto switch		With auto switch	
		A	B	A	B
50	10 to 50	82.5	30.5	92.5	40.5
	75, 100	92.5	40.5		

Double clevis style: C□LQD50



Double Clevis Style

Bore size (mm)	Stroke range	Without auto switch			With auto switch		
		A	B	CL	A	B	CL
50	10 to 50	115.5	30.5	101.5	125.5	40.5	111.5
	75, 100	125.5	40.5	111.5			

CL

CL1

MLGC

CNG

MNB

CNA

CNS

CLS

CLQ

MLGP

RLQ

MLU

ML1C

D-

-X

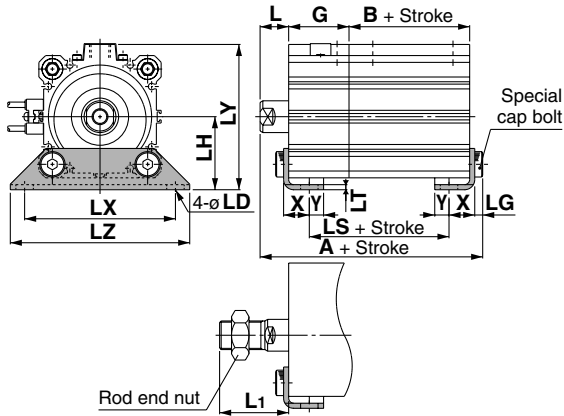
20-

Data

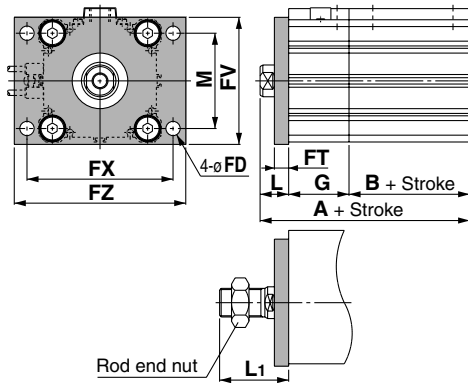
Compact Cylinder with Lock Double Acting, Single Rod Series **CLQ**

Dimensions: $\phi 63$, $\phi 80$, $\phi 100$

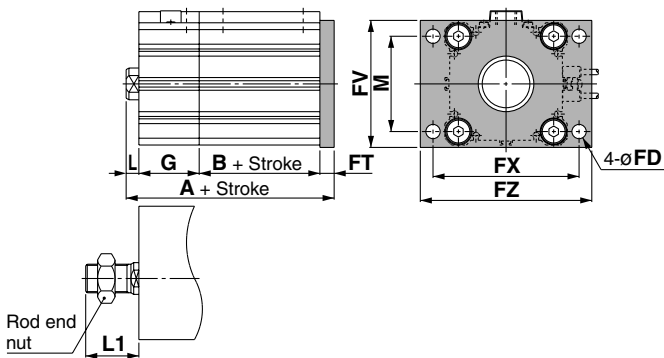
Foot style: CLQL/CDLQL



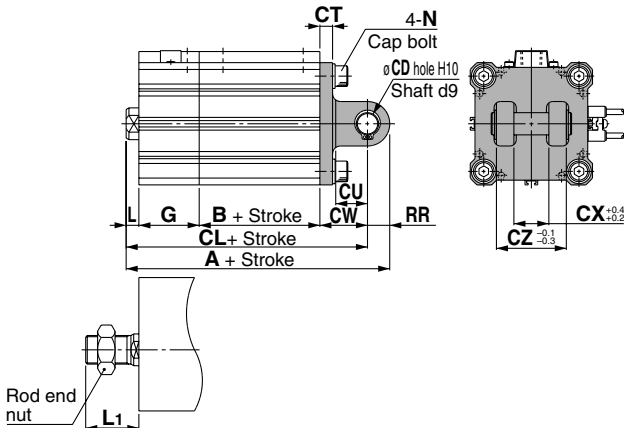
Rod side flange style: CLQF/CDLQF



Head Side flange style: CLQG/CDLQG



Double clevis style: CLQD/CDLQD



Foot Style

Bore size (mm)	Stroke range	Without auto switch			With auto switch			G	L
		A	B	LS	A	B	LS		
63	10 to 50	100.2	36	48	110.2	46	58	38	18
	75, 100	110.2	46	58					
80	10 to 50	118	43.5	56.5	128	53.5	66.5	43	20
	75, 100	128	53.5	66.5					
100	10 to 50	138	53	69	148	63	79	50	22
	75, 100	148	63	79					

Bore size (mm)	L1	LD	LG	LH	LT	LX	LY	LZ	X	Y
63	43.5	11	5	46	3.2	95	91.5	113	16.2	9
80	53.5	13	7	59	4.5	118	114	140	19.5	11
100	53.5	13	7	71	6	137	136	162	23	12.5

Rod Side Flange Style

Bore size (mm)	Stroke range	Without auto switch		With auto switch		FD	FT	FV	FX	FZ	G	L	L1	M
		A	B	A	B									
63	10 to 50	92	36	102	46	9	9	80	92	108	38	18	43.5	60
	75, 100	102	46											
80	10 to 50	106.5	43.5	116.5	53.5	11	11	99	116	134	43	20	53.5	77
	75, 100	116.5	53.5											
100	10 to 50	125	53	135	63	11	11	117	136	154	50	22	53.5	94
	75, 100	135	63											

Head Side Flange Style

Bore size (mm)	Stroke range	Without auto switch		With auto switch		FD	FT	FV	FX	FZ	G	L	L1	M
		A	B	A	B									
63	10 to 50	91	36	101	46	9	9	80	92	108	38	8	33.5	60
	75, 100	101	46											
80	10 to 50	107.5	43.5	117.5	53.5	11	11	99	116	134	43	10	43.5	77
	75, 100	117.5	53.5											
100	10 to 50	126	53	136	63	11	11	117	136	154	50	12	43.5	94
	75, 100	136	63											

Double Clevis Style

Bore size (mm)	Stroke range	Without auto switch			With auto switch			CD	CT
		A	B	CL	A	B	CL		
63	10 to 50	126	36	112	136	46	122	14	8
	75, 100	136	46	122					
80	10 to 50	152.5	43.5	134.5	162.5	53.5	144.5	18	10
	75, 100	162.5	53.5	144.5					
100	10 to 50	182	53	160	192	63	170	22	13
	75, 100	192	63	170					

Bore size (mm)	CU	CW	CX	CZ	G	L	L1	N	RR
63	20	30	22	44	38	8	33.5	M8 x 1.25	14
80	27	38	28	56	43	10	43.5	M10 x 1.5	18
100	31	45	32	64	50	12	43.5	M10 x 1.5	22

- CL
- CL1
- MLGC
- CNG
- MNB
- CNA
- CNS
- CLS
- CLQ**
- MLGP
- RLQ
- MLU
- ML1C
- D-
- X
- 20-
- Data