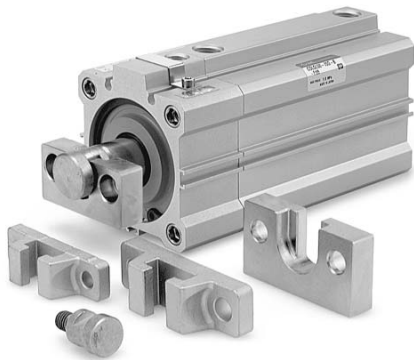
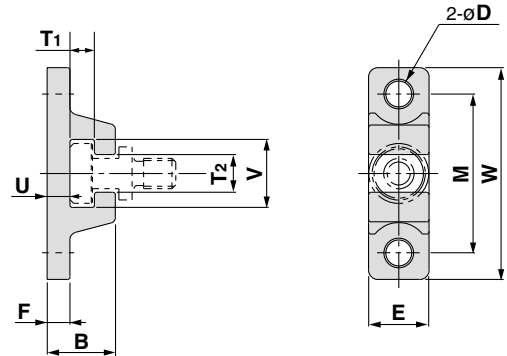


Simple Joint: $\phi 32$ to $\phi 100$



Type A Mounting Bracket



Joint and Mounting Bracket (Type A, Type B) Part No.

YA 03

• Applicable air cylinder bore

• Mounting bracket

YA	Type A mounting bracket
YB	Type B mounting bracket
YU	Joint

03	$\phi 32, \phi 40$
05	$\phi 50, \phi 63$
08	$\phi 80$
10	$\phi 100$

Part no.	Bore size (mm)	B	D	E	F	M	T ₁	T ₂
YA-03	32, 40	18	6.8	16	6	42	6.5	10
YA-05	50, 63	20	9	20	8	50	6.5	12
YA-08	80	26	11	25	10	62	8.5	16
YA-10	100	31	14	30	12	76	10.5	18

Part no.	Bore size (mm)	U	V	W	Weight (g)
YA-03	32, 40	6	18	56	55
YA-05	50, 63	8	22	67	100
YA-08	80	10	28	83	195
YA-10	100	12	36	100	340

Bore size (mm)	Joint	Applicable mounting bracket	
		Type A mounting bracket	Type B mounting bracket
32, 40	YU-03	YA-03	YB-03
50, 63	YU-05	YA-05	YB-05
80	YU-08	YA-08	YB-08
100	YU-10	YA-10	YB-10

Allowable Eccentricity

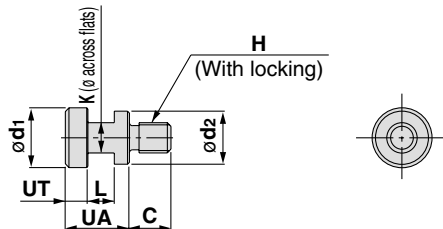
Bore size (mm)	32	40	50	63	80	100
Eccentricity tolerance	±1			±1.5		±2
Backlash	0.5					

<Ordering>

- Joints are not included with the A or B type mounting brackets. Order them separately.
- (Example)

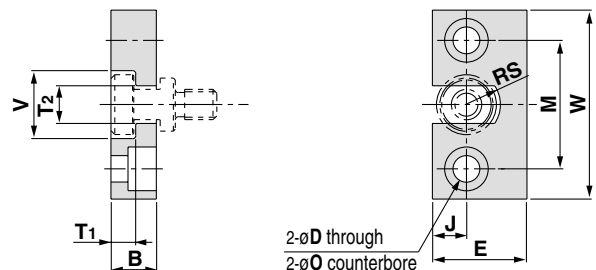
- Bore size $\phi 40$ Part no.
- Type A mounting bracket part number.....YA-03
- Joint.....YU-03

Joint



Part no.	Applicable bore size (mm)	UA	C	d ₁	d ₂	H	K	L	UT	Weight (g)
YU-03	32, 40	17	11	15.8	14	M8 x 1.25	8	7	6	25
YU-05	50, 63	17	13	19.8	18	M10 x 1.5	10	7	6	40
YU-08	80	22	20	24.8	23	M16 x 2	13	9	8	90
YU-10	100	26	26	29.8	28	M20 x 2.5	14	11	10	160

Type B Mounting Bracket



Material: Precision die-casting material equivalent to stainless steel 304

Part no.	Bore size (mm)	B	D	E	J	M	O
YB-03	32, 40	12	7	25	9	34	11.5 depth 7.5
YB-05	50, 63	12	9	32	11	42	14.5 depth 8.5
YB-08	80	16	11	38	13	52	18 depth 12
YB-10	100	19	14	50	17	62	21 depth 14

Part no.	Bore size (mm)	RS	T ₁	T ₂	V	W	Weight (g)
YB-03	32, 40	9	6.5	10	18	50	80
YB-05	50, 63	11	6.5	12	22	60	120
YB-08	80	14	8.5	16	28	75	230
YB-10	100	18	10.5	18	36	90	455

CL

CL1

MLGC

CNG

MNB

CNA

CNS

CLS

CLQ

MLGP

RLQ

MLU

ML1C

D-

-X

20-

Data