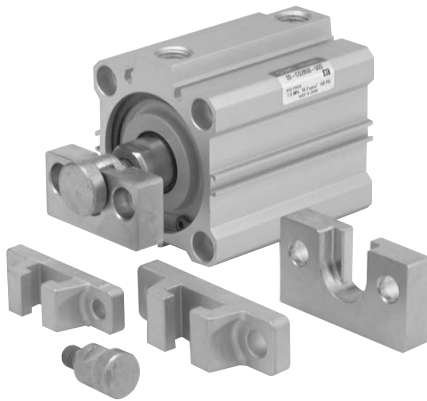


## Simple Joint: $\phi 32$ to $\phi 100$



### Joint and Mounting Bracket (Type A, Type B) Part No.

<b>YA</b>	<b>03</b>	• Applicable air cylinder bore
• Mounting bracket		
<b>YA</b>	Type A mounting bracket	<b>03</b> For $\phi 32, \phi 40$
<b>YB</b>	Type B mounting bracket	<b>05</b> For $\phi 50, \phi 63$
<b>YU</b>	Joint	<b>08</b> $\phi 80$
		<b>10</b> $\phi 100$

### Allowable Eccentricity

Bore size (mm)	32	40	50	63	80	100
Eccentricity tolerance	±1			±1.5		±2
Backlash	0.5					

#### <Ordering>

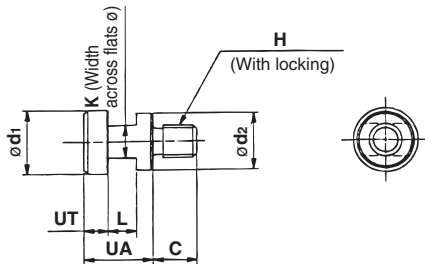
- Joints are not included with the A or B type mounting brackets. Order them separately.

#### (Example)

- Bore size  $\phi 40$  Part no.
- Type A mounting bracket part no. .... YA-03
- Joint ..... YU-03

### Joint Part No.

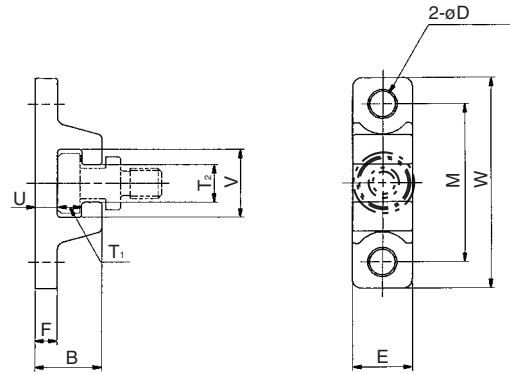
Bore size (mm)	Joint part no.	Applicable mounting bracket		Weight (g)
		Type A mounting bracket	Type B mounting bracket	
32, 40	YU-03	YA-03	YB-03	25
50, 63	YU-05	YA-05	YB-05	40
80	YU-08	YA-08	YB-08	90
100	YU-10	YA-10	YB-10	160



Material: Chromium molybdenum steel (Nickel plated)

Part no.	Applicable bore size (mm)	UA	C	$d_1$	$d_2$	H	K	L	U	Weight (g)
YU-03	32, 40	17	11	15.8	14	M8 x 1.25	8	7	6	25
YU-05	50, 63	17	13	19.8	18	M10 x 1.5	10	7	6	40
YU-08	80	22	20	24.8	23	M16 x 2	13	9	8	90
YU-10	100	26	26	29.8	28	M20 x 2.5	14	11	10	160

### Type A Mounting Bracket

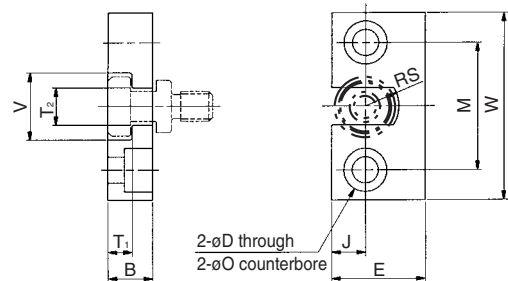


Material: Chromium molybdenum steel (Nickel plated)

Part no.	Bore size (mm)	B	D	E	F	M	$T_1$	$T_2$
YA-03	32, 40	18	6.8	16	6	42	6.5	10
YA-05	50, 63	20	9	20	8	50	6.5	12
YA-08	80	26	11	25	10	62	8.5	16
YA-10	100	31	14	30	12	76	10.5	18

Part no.	Bore size (mm)	U	V	W	Weight (g)
YA-03	32, 40	6	18	56	55
YA-05	50, 63	8	22	67	100
YA-08	80	10	28	83	195
YA-10	100	12	36	100	340

### Type B Mounting Bracket



Material: Precision die-casting material equivalent to stainless steel 304

Part no.	Bore size (mm)	B	D	E	J	M	$\phi O$
YB-03	32, 40	12	7	25	9	34	11.5 depth 7.5
YB-05	50, 63	12	9	32	11	42	14.5 depth 8.5
YB-08	80	16	11	38	13	52	18 depth 12
YB-10	100	19	14	50	17	62	21 depth 14

Part no.	Bore size (mm)	$T_1$	$T_2$	V	W	RS	Weight (g)
YB-03	32, 40	6.5	10	18	50	9	80
YB-05	50, 63	6.5	12	22	60	11	120
YB-08	80	8.5	16	28	75	14	230
YB-10	100	10.5	18	36	90	18	455