

Compact Cylinder: Standard Type Double Acting, Single Rod Series CQ2

ø12, ø16, ø20, ø25, ø32, ø40, ø50, ø63, ø80, ø100

How to Order

Without auto switch

CQ2 [B] [] [20] [] [30] [D] []

With auto switch

CDQ2 [B] [] [20] [] [30] [D] [] [J79W] [S]

Built-in magnet •

Mounting style •

B	Through-hole (Standard)	F	Rod side flange style
A	Both ends tapped style	G	Head side flange style
L	Foot style	D	Double clevis style

* Mounting brackets are shipped together, (but not assembled).

Type •

Nil	Pneumatic
H	Air-hydro ^{Note)}

Note) Bore sizes available for air-hydro type are ø20 to ø100.

Bore size •

12	12 mm	40	40 mm
16	16 mm	50	50 mm
20	20 mm	63	63 mm
25	25 mm	80	80 mm
32	32 mm	100	100 mm

Piping •

Nil	Screw-in piping
F	Built-in One-touch fittings ^{Note)}

Note) Bore sizes available w/ One-touch fittings are ø32 to ø63. Besides, it is not possible to use for air-hydro type.

Auto switch

Nil	Without auto switch (Built-in magnet)
------------	---------------------------------------

* For the applicable auto switch model, refer to the table below.

Number of auto switches

Nil	2 pcs.
S	1 pc.
n	"n" pcs.

Body option

Nil	Standard (Rod end female thread)
F	With boss in head side
C	With rubber bumper
M	Rod end male thread ^{Note)}

* Combination of body options ("CM", "FC", "FM", "FCM") is available. Note) Air-hydro type with rubber bumper is not available.

Action

D	Double acting
----------	---------------

Cylinder stroke (mm)

For "Standard Stroke" and "Manufacture of intermediate of Stroke", refer to page 7-6-3.

Applicable Auto Switch/Refer to page 7-9-1 for further information on auto switches.

Type	Special function	Electrical entry	Indicator/light	Wiring (Output)	Load voltage		Rail mounting		Direct mounting		Lead wire length (m) *				Pre-wire connector	Applicable load			
					DC	AC	ø12 to ø100		ø32 to ø100		0.5 (Nil)	3 (L)	5 (Z)	None (N)		IC circuit	Relay, PLC		
						Perpendicular	In-line	Perpendicular	In-line										
Reed switch	—	Grommet	Yes	3-wire (NPN equivalent)	—	5V	—	A76H	A96V	A96	●	●	—	—	—	IC circuit	—		
				2-wire	—	200 V	A72	A72H	—	—	—	●	●	—	—	—	—	Relay, PLC	
		Connector		24 V	12 V	100 V	—	—	A93V	A93	●	●	—	—	—	—			
					Diagnostic indication (2-color indication)	—	—	—	A73C	—	—	—	●	●	●	●	—	—	
Solid state switch	—	Grommet	Yes	3-wire (NPN)	5 V, 12 V	—	—	F7NV	F79	M9NV	M9N	●	●	○	—	○	IC circuit		
				3-wire (PNP)				F7PV	F7P	M9PV	M9P	●	●	○	—	○			
		Connector		12 V	2-wire	—	—	—	—	—	—	●	●	●	●	—	—		
					Diagnostic indication (2-color indication)	—	—	—	—	—	—	—	●	●	●	●	—	—	
		Grommet		24 V	12 V	3-wire (NPN)	5 V, 12 V	—	—	F7NWV	F79W	F9NWV	F9NW	●	●	○	—	○	IC circuit
						3-wire (PNP)				—	F7PW	F9PWV	F9PW	●	●	○	—	○	
						2-wire				—	F7BWV	J79W	F9BWV	F9BW	●	●	○	—	○
										Water resistant (2-color indication)	—	F7BA	—	F9BA	—	●	○	—	○
						With diagnostic output (2-color indication)				—	F7BAV	—	—	—	—	●	○	—	○
										Magnetic field resistant (2-color indication)	—	F79F	—	—	—	●	●	○	—
2-wire	—	—	—	—	—	—	—	—	●	●	—	○	—						

* Lead wire length symbols: 0.5 m Nil (Example) A73C
 3 m L (Example) A73CL
 5 m Z (Example) A73CZ
 None N (Example) A73CN

* Solid state switches marked with "○" are produced upon receipt of order.

- D-P5DWL type is available from ø40 up to ø100 only.
- There are other applicable auto switches other than the listed above. For details, refer to page 7-6-23.
- For details about auto switches with pre-wire connector, refer to page 7-9-36.

Compact Cylinder: Standard Type Double Acting, Single Rod Series CQ2



JIS Symbol
Double acting,
Single rod



JIS Symbol
With boss in
head side



Standard Stroke

Pneumatic

Bore size (mm)	Standard stroke (mm)
12, 16	5, 10, 15, 20, 25, 30
20, 25	5, 10, 15, 20, 25, 30, 35, 40, 45, 50
32, 40	5, 10, 15, 20, 25, 30, 35, 40, 45, 50, 75, 100
50 to 100	10, 15, 20, 25, 30, 35, 40, 45, 50, 75, 100

• When stroke exceeds the standard range, refer to page 7-6-121.

Air-hydro

Bore size (mm)	Standard stroke (mm)
20, 25	5, 10, 15, 20, 25, 30, 35, 40, 45, 50
32, 40	5, 10, 15, 20, 25, 30, 35, 40, 45, 50, 75, 100
50, 63, 80, 100	10, 15, 20, 25, 30, 35, 40, 45, 50, 75, 100

Mounting Bracket Part No.

Bore size (mm)	Foot ⁽⁴⁾	Flange	Double clevis ⁽⁵⁾
12	CQ-L012	CQ-F012	CQ-D012
16	CQ-L016	CQ-F016	CQ-D016
20	CQ-L020	CQ-F020	CQ-D020
25	CQ-L025	CQ-F025	CQ-D025
32	CQ-L032	CQ-F032	CQ-D032
40	CQ-L040	CQ-F040	CQ-D040
50	CQ-L050	CQ-F050	CQ-D050
63	CQ-L063	CQ-F063	CQ-D063
80	CQ-L080	CQ-F080	CQ-D080
100	CQ-L100	CQ-F100	CQ-D100

Note 4) When ordering foot bracket, order 2 pieces per cylinder.

Note 5) Parts belonging to each bracket are as follows. Foot, Flange: Body mounting bolt/Double clevis: Clevis pin, Type C snap ring for axis, body mounting bolt

Type

Bore size (mm)		12	16	20	25	32	40	50	63	80	100	
Pneumatic	Mounting	Through-hole (Standard)	●	●	●	●	●	●	●	●	●	
		Both ends tapped style	●	●	●	●	●	●	●	●	●	●
	Built-in magnet		●	●	●	●	●	●	●	●	●	●
	Piping	Screw-in type	M5 x 0.8	M5 x 0.8	M5 x 0.8	M5 x 0.8	M5 x 0.8 ⁽¹⁾ Rc 1/8	Rc 1/8	Rc 1/4	Rc 1/4	Rc 3/8	Rc 3/8
		Built-in One-touch fittings	—	—	—	—	ø6/4 ⁽²⁾	ø6/4	ø8/6	ø8/6	—	—
	Rod end male thread		●	●	●	●	●	●	●	●	●	●
	With rubber bumper		●	●	●	●	●	●	●	●	●	●
With boss in head side		●	●	●	●	●	●	●	●	●	●	
Air-hydro	Mounting	Through-hole (Standard)	—	—	●	●	●	●	●	●	●	
		Both ends tapped style	—	—	●	●	●	●	●	●	●	●
	Built-in magnet		—	—	●	●	●	●	●	●	●	●
	Piping	Screw-in type	—	—	M5 x 0.8	M5 x 0.8	M5 x 0.8 ⁽¹⁾ Rc 1/8	Rc 1/8	Rc 1/4	Rc 1/4	Rc 3/8	Rc 3/8
		Rod end male thread		—	—	●	●	●	●	●	●	●
	With boss in head side		—	—	●	●	●	●	●	●	●	●

Note 1) In the case of without auto switch, M5 x 0.8 is used for 5 stroke only.

Note 2) In the case of built-in fitting, the 5 mm stroke with ø32 bore is the same external dimensions as 10 mm stroke.

Specifications

Type	Pneumatic (Non-lube)	Air-hydro
Fluid	Air	Turbine oil ⁽³⁾
Proof pressure	1.5 MPa	
Maximum operating pressure	1.0 MPa	
Ambient and fluid temperature	Without auto switch: -10 to 70°C (No freezing) With auto switch: -10 to 60°C (No freezing)	
Rubber bumper	None	—
Rod end thread	Female thread	
Rod end thread tolerance	JIS class 2	
Stroke length tolerance	+1.0 0	
Mounting	Through-hole	
Piston speed	50 to 500 mm/s	5 to 50 mm/s

Note 3) For caution on handling, refer to page 7-13-6.

* For applications involving lateral loads, refer to anti-lateral load type on page 7-13-132.

Minimum Operating Pressure

Bore size (mm)	12	16	20	25	32	40	50	63	80	100
Pneumatic (Non-lube)	0.07		0.05							
Air-hydro	—		0.18				0.10			

Manufacture of Intermediate Stroke

Description	Spacer is installed in the standard stroke body.	Exclusive body (-XB10)
Part no.	Refer to "How to Order" for the standard model no. on page 7-6-2.	Suffix "-XB10" to the end of standard model no. on page 7-6-2.
Description	Dealing with intermediate stroke by the 1 mm interval is available by using spacer with standard stroke cylinder.	Dealing with the stroke by the 1 mm interval by using an exclusive body with the specified stroke.
Stroke range	Bore size	Bore size
	Stroke range	Stroke range
Example	Part No.: CQ2B50-57D 18 mm width spacer is installed in the standard CQ2B50-75D. B dimension is 115.5 mm.	Part no. CQ2B50-57D-XB10 Makes 57 stroke tube. B dimension is 97.5 mm.



• Air-hydro type is excluded.

• In the case of spacer type, intermediate stroke with damper for ø40 to ø100, it can be manufactured by 5 mm intervals in 5 mm and 55 to 95 mm.

• In the case of an exclusive body with ø32 to ø100 (-XB10) with the stroke length exceeding 50 mm, the reference values of the longitudinal dimension will be changed. Calculate length dimensions by deducting from those of 75 or 100 mm stroke models.

• Regarding the long stroke which exceeds the stroke range, refer to page 7-6-121 for the long stroke type of either CQ2 or CQS.

CUJ

CU

CQS

CQM

CQ2

RQ

MU

D-

-X

20-

Data

Series CQ2



Made to Order Specifications (For details, refer to page 7-10-1.)

Symbol	Specifications
-XA□	Change of rod end shape
-XB6	Heat resistant cylinder (150°C) w/o auto switch only
-XB7	Cold resistant cylinder w/o auto switch only
-XB9	Low speed cylinder (10 to 50 mm/s)
-XB10	Intermediate stroke (Using exclusive body)
-XB11	Long stroke type, Air-hydro type only
-XB13	Low speed cylinder (5 to 50 mm/s)
-XB14	Cylinder with heat resistant auto switch ø16 to 63 only
-XB18	Low friction cylinder, ø32 to 100 only
-XC4	With heavy duty scraper, ø20 to 100 only
-XC6	Piston rod and rod end nut made of stainless steel
-XC8	Adjustable stroke cylinder/Adjustable extension type
-XC9	Adjustable stroke cylinder/Adjustable retraction type
-XC10	Dual stroke cylinder/Double rod type
-XC11	Dual stroke cylinder/Single rod type
-XC18	NPT finish piping port
-XC35	With coil scraper, ø32 to 100 only
-XC36	With boss in rod side
-XC58	Water resistance improved type/Built-in hard plastic magnet, ø20 to 100 only
-XC59	Fluoro rubber for seal/Built-in hard plastic magnet, ø20 to 100 only
-X202	Same overall length dimension as Series CQ1, Except ø16, 25
-X203	Same L dimension from rod cover as Series CQ1, ø20, 32 only
-X293	Same overall length as Series CQ1W, Except ø16, 25
-X144	Change of port location, ø12 to 25 only
-X271	Fluoro rubber for seals
-X525	Long stroke of adjustable extension stroke cylinder (-XC8)
-X526	Long stroke of adjustable retraction stroke cylinder (-XC9)
-X636	Intermediate stroke of double rod type

⚠ Precautions

Be sure to read before handling.
For Safety Instructions and
Actuator Precautions, refer to
pages 7-13-3 to 7-13-6.

⚠ Caution

Snap Ring Installation/Removal

1. For installation and removal, use an appropriate pair of pliers (tool for installing a type C snap ring).

2. Even if a proper plier (tool for installing type C snap ring) is used, it is likely to inflict damage to a human body or peripheral equipment, as a snap ring may be flown out of the tip of a plier (tool for installing a type C snap ring). Be much careful with the popping of a snap ring. Besides, be certain that a snap ring is placed firmly into the groove of rod cover before supplying air at the time of installment.

Allowable Kinetic Energy

Table (1) Load Weight and Piston Speed (J)

Bore size (mm)	12	16	20	25	32	40	50	63	80	100
Standard Allowable kinetic energy: Ea	0.022	0.038	0.055	0.09	0.15	0.26	0.46	0.77	1.36	2.27
With rubber bumper Allowable kinetic energy: Eb	0.043	0.075	0.110	0.18	0.29	0.52	0.91	1.54	2.71	4.54

$$\text{Kinetic energy } E \text{ (J)} = \frac{(m1+m2) V^2}{2}$$

m1: Weight of cylinder operating part kg

m2: Load weight kg

V: Piston speed m/s

Table (2) Weight of Cylinder Movable Parts/Without Built-in Magnet (g)

Bore size (mm)	Cylinder stroke (mm)											
	5	10	15	20	25	30	35	40	45	50	75	100
12	5	6	7	8	10	11	—	—	—	—	—	—
16	9	11	13	15	17	19	—	—	—	—	—	—
20	15	18	21	24	27	31	34	37	40	44	—	—
25	24	28	33	37	42	46	51	55	60	64	—	—
32	45	52	60	68	76	84	92	100	107	115	170	209
40	64	72	80	88	96	104	112	119	127	135	190	229
50	—	117	129	141	153	166	178	190	202	214	300	361
63	—	153	165	177	190	202	214	226	239	251	337	398
80	—	270	289	308	327	347	366	385	404	423	557	653
100	—	487	515	543	570	598	625	653	681	708	901	1038

Table (3) Weight of Cylinder Movable Parts/With Built-in Magnet (g)

Bore size (mm)	Cylinder stroke (mm)											
	5	10	15	20	25	30	35	40	45	50	75	100
12	8	9	10	11	12	13	—	—	—	—	—	—
16	16	18	20	22	24	26	—	—	—	—	—	—
20	28	31	34	37	40	44	47	50	53	56	—	—
25	44	48	53	57	62	66	71	75	80	84	—	—
32	78	86	93	101	109	117	125	133	140	148	187	227
40	109	117	125	133	140	148	156	164	172	180	219	258
50	—	187	199	211	223	236	248	260	272	285	346	407
63	—	254	266	278	290	303	315	327	339	352	413	474
80	—	433	453	472	491	510	530	549	568	587	683	778
100	—	741	768	796	823	851	879	906	934	962	1099	1236

Table (4) (g)

Bore size (mm)		12	16	20	25	32	40	50	63	80	100
Rod end male thread	Thread	1.5	3	6	12	26	27	53	53	120	175
	Nut	1	2	4	8	17	17	32	32	49	116
With rubber bumper		0	0	-2	-3	-3	-7	-9	-18	-31	-56

Calculation: (Example) CDQ2B32-20DCM

• Cylinder weight: CDQ2B32-20D.....101 g

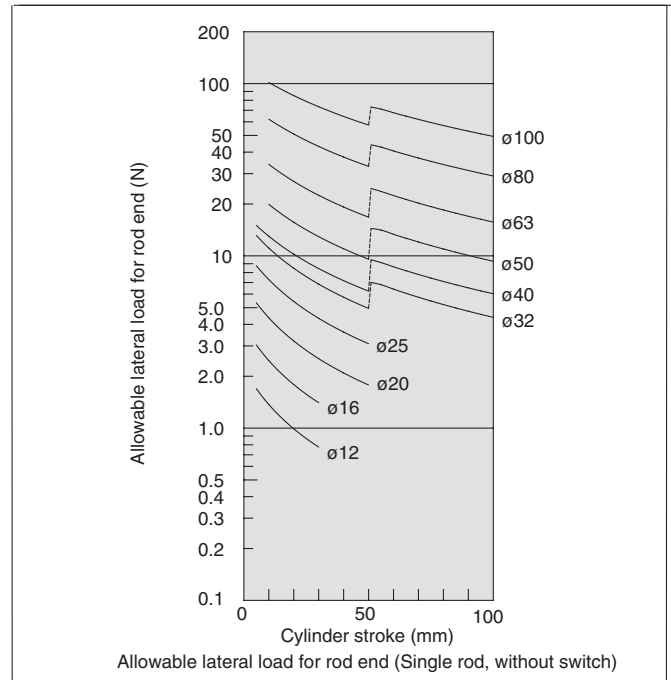
• Option weight: Rod end male thread..... 43 g

 Rubber bumper.....-3 g

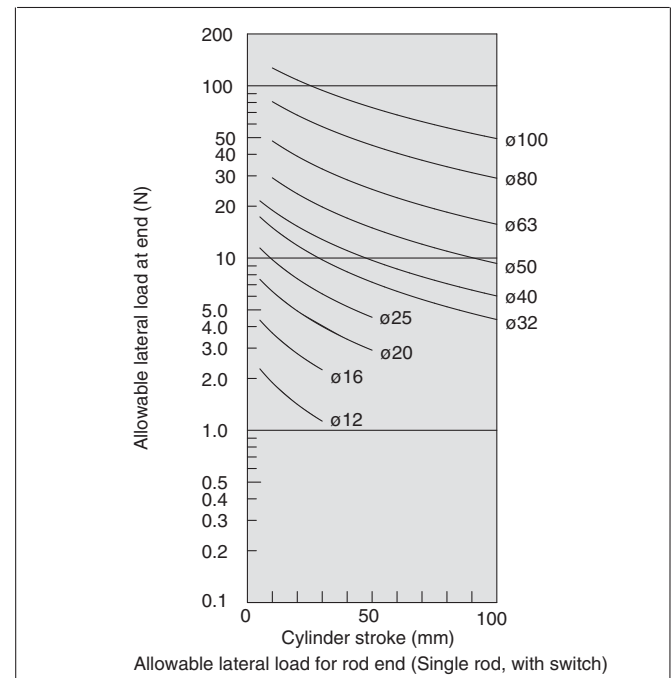
141 g

Allowable Lateral Load at Rod End

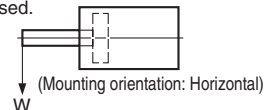
Without Auto Switch



With Auto Switch



If an allowable lateral load at rod end is exceeding the value in the graph, we recommend anti-lateral load type cylinder be used.



CUJ

CU

CQS

CQM

CQ2

RQ

MU

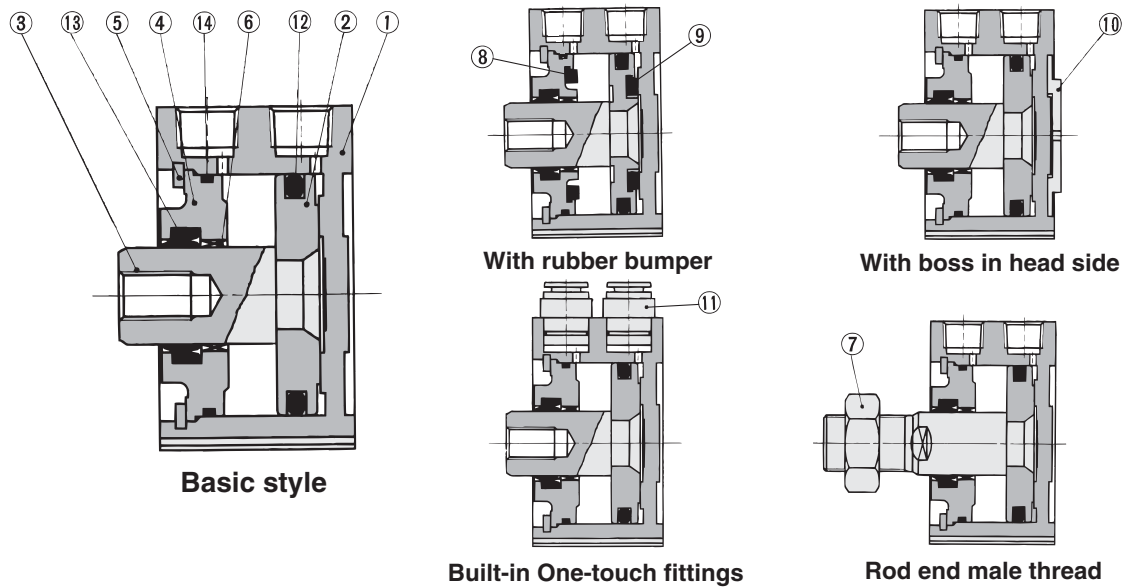
D-

-X

20-

Data

Construction



Component Parts

No.	Description	Material	Note
①	Cylinder tube	Aluminum alloy	Hard anodized
②	Piston *	Aluminum alloy	Chromated
③	Piston rod *	Stainless steel	ø12 to ø25
		Carbon steel	ø32 to ø100, Hard chrome plated
④	Collar	Aluminum alloy	ø12 to ø40, Anodized
		Aluminum alloy casted	ø50 to ø100, Chromated, painted
⑤	Snap ring	Carbon tool steel	Phosphate coated
⑥	Bushing	Lead-bronze casted	For ø50 or larger only
⑦	Rod end nut	Carbon steel	Nickel plated
⑧	Bumper A	Urethane	

No.	Description	Material	Note
⑨	Bumper B	Resin	
⑩	Centering location ring	Aluminum alloy	Hard anodized ø20 to ø100
⑪	One-touch fitting	—	ø32 to ø63
⑫	Piston seal	NBR	
⑬	Rod seal	NBR	
⑭	Gasket	NBR	

* On bore size ø12 to ø25 with rubber bumper style, piston and piston rod are integrated (Stainless steel).

Replacement Parts: Seal Kit

Series	Bore size (mm)	Kit no.	Contents
Pneumatic	12	CQ2B12-PS	Set of nos. above ⑫, ⑬, ⑭
	16	CQ2B16-PS	
	20	CQ2B20-PS	
	25	CQ2B25-PS	
	32	CQ2B32-PS	
	40	CQ2B40-PS	
	50	CQ2B50-PS	
	63	CQ2B63-PS	
	80	CQ2B80-PS	
	100	CQ2B100-PS	

Series	Bore size (mm)	Kit no.	Contents
Air-hydro	20	CQ2BH20-PS	Set of nos. above ⑫, ⑬, ⑭
	25	CQ2BH25-PS	
	32	CQ2BH32-PS	
	40	CQ2BH40-PS	
	50	CQ2BH50-PS	
	63	CQ2BH63-PS	
	80	CQ2BH80-PS	
	100	CQ2BH100-PS	

* Seal kit includes ⑫ ⑬ ⑭ Order the seal kit, based on each bore size.

Auto Switch Mounting Bracket Part No.

Bore size (mm)	Mounting bracket part no.	Note	Applicable auto switch	
			Reed switch	Solid state switch
12, 16 20, 25	BQ-1	<ul style="list-style-type: none"> Switch mounting screw (M3 x 0.5 x 8ℓ) Square nut 	D-A7□/A80 D-A73C/A80C D-A7□H/A80H D-A79W	D-F7□/J79 D-F7□V D-J79C D-F7□W/J79W D-F7□WV D-F7BAL/F7BAVL D-F79F D-F7NTL
32, 40 50, 63 80, 100	BQ-2	<ul style="list-style-type: none"> Switch mounting screw (M3 x 0.5 x 10ℓ) Switch spacer Switch mounting nut 		
40 to 100	BQP1-050	<ul style="list-style-type: none"> Switch mounting bracket Switch mounting nut Hexagon hole cap bolt (M3 x 0.5 x 14ℓ spring washer 2 pcs.) Round head Phillips screw (M3 x 0.5 x 16ℓ springwasher 2 pcs.) 	—	D-P5DWL

[Mounting screws set made of stainless steel]

The set of stainless steel mounting screws (with nuts) described below is available and can be used depending on the operating environment. (Since the spacer is not included, order it separately.)

BBA2: For D-A7/A8/F7/J7

D-F7BAL/F7BAVL switch is set on the cylinder with the stainless steel screws above when shipped.

When only a switch is shipped independently, BBA2 screws are attached.

Series CQ2

Clean Series



The type which is applicable for using inside the clean room graded Class 100 by making an actuator's rod section a double seal construction and discharging by relief port directly to the outside of clean room.



Specifications

Action	Double acting, Single rod
Bore size (mm)	12, 16, 20, 25, 32, 40, 50, 63
Proof pressure	1.5 MPa
Maximum operating pressure	1.0 MPa
Rubber bumper	None ^{Note)}
Piping	Screw-in piping
Piston speed	50 to 500 mm/s
Mounting	Through-hole
Auto switch	Mountable

Note) $\phi 12$ with switch: With rubber bumper (Standard)

For details, refer to the separate catalog, "Pneumatic Clean Series".

Copper-free (For CRT manufacturing process)



To prevent the influence of copper ions or halogen ions during CRT manufacturing processes, copper and fluorine materials are not used in the component parts.

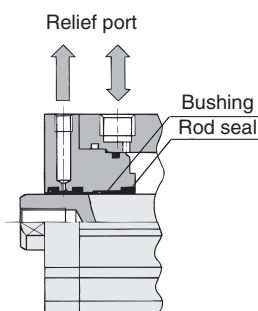


Specifications

Action	Double acting, Single rod
Bore size (mm)	12, 16, 20, 25, 32, 40, 50, 63, 80, 100
Proof pressure	1.5 MPa
Maximum operating pressure	1.0 MPa
Rubber bumper	With, None
Piping	Screw-in piping
Piston speed	50 to 500 mm/s
Mounting	Both ends tapped style
Auto switch	Mountable

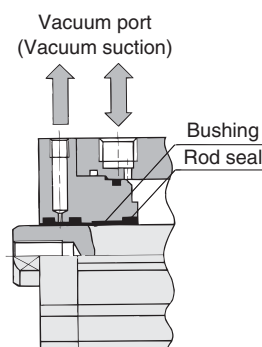
Construction

Series 10-CQ2 (Double seal type)



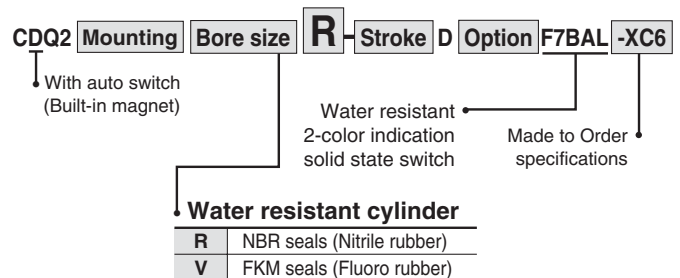
A relief port is provided in the area between the double rod seals to discharge the exhaust air outside of the clean room. Thus, the amount of dust generated has been reduced to 1/20 of that of an ordinary cylinder.

Series 11-CQ2 (Single seal, Vacuum suction)



Structurally identical to the "10-" series, the outer rod seal has been removed to evacuate through the vacuum port. This draws out any external air from the clearance between the rod and the cover to practically eliminate the generation of external dust. This should be used in an application that requires an even higher level of cleanliness than the 10- series.

Water Resistant



Ideal for use under the atmosphere having coolant for machine tools, etc. Compatible for the environment, where waterdrops are splashed around the food processing machinery and the car washers, etc.



Specifications

Action	Double acting, Single rod
Bore size (mm)	20, 25, 32, 40, 50, 63, 80, 100
Cushion	None
Auto switch mounting	Rail mounting (D-F7BAL)
Made to order	Piston rod/Rod end nut material: Stainless steel (-XC6)

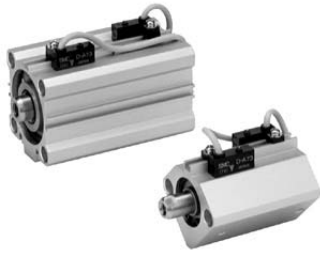
* Specifications other than above are the same as standard, basic style.

For detailed specifications, refer to the separate catalog.

Compact Cylinder Series CDQ2 With Auto Switch



* Refer to page 7-9-1 for further information on auto switches.



Minimum Stroke for Auto Switch Mounting

(mm)

No. of auto switches mounted	D-F7□V D-J79C D-F9□V	D-A7□ D-A80 D-A73C D-A80C D-A9□V	D-F7□WV D-F9□WV D-F7BAVL	D-A7□H D-A80H D-F7□ D-J79 D-M9□ D-F9□W	D-A79W	D-F7□W D-J79W D-F7BAL D-F79F D-F9BAL	D-A9□	D-P5DWL
1 pc.	5	5	10	15	15	20	10	30
2 pcs.	5	10	15	15	20	20	10	30

Weight

(g)

Bore size (mm)	Cylinder stroke (mm)											
	5	10	15	20	25	30	35	40	45	50	75	100
12	47	54	60	67	74	80	—	—	—	—	—	—
16	73	82	92	101	110	119	—	—	—	—	—	—
20	109	122	136	150	164	178	191	205	219	233	—	—
25	144	161	178	195	211	228	245	262	278	295	—	—
32	190	211	232	252	273	294	315	335	356	377	482	587
40	282	305	328	351	375	398	421	444	467	490	610	730
50	—	487	523	559	595	632	668	704	740	777	965	1153
63	—	696	737	778	819	860	901	941	982	1023	1235	1446
80	—	1258	1325	1393	1461	1529	1597	1665	1732	1800	2135	2469
100	—	2118	2209	2299	2390	2481	2572	2662	2753	2844	3304	3764

Additional Weight

(g)

Bore size (mm)	12	16	20	25	32	40	50	63	80	100	
Both ends tapped style	1	1	3	3	6	6	6	19	45	45	
Rod end male thread	Male thread	1.5	3	6	12	26	27	53	53	120	175
	Nut	1	2	4	8	17	17	32	32	49	116
With boss in head side	0.7	1.3	2	3	5	7	13	25	45	96	
With rubber bumper	0	-1	-2	-3	-3	-7	-9	-18	-31	-56	
Built-in One-touch fittings	—	—	—	—	12	12	21	21	—	—	
Foot style (Including mounting bolt)	49	62	147	169	143	155	243	324	696	1062	
Rod side flange style (Including mounting bolt)	54	67	131	153	180	214	373	559	1056	1365	
Rear flange style (Including mounting bolt)	52	63	124	144	165	198	348	534	1017	1309	
Double clevis style (Including pin, snap ring, bolt)	29	35	78	114	151	196	393	554	1109	1887	

Calculation: (Example) CDQ2D32-20DCM

- Cylinder weight: CDQ2B32-20D.....252 g
- Option weight: Both ends tapped style.....6 g
Rod end male thread.....43 g
Rubber bumper.....-3 g
Double clevis style.....151 g
449 g

Add each weight of auto switches and mounting brackets.

Auto Switch Mounting Bracket Weight

Mounting bracket part no.	Applicable bore (mm)	Weight (g)
BQ-1	12 to 25	1.5
BQ-2	32 to 100	1.5

For the auto switch weight, refer to page 7-9-1.

CUJ

CU

CQS

CQM

CQ2

RQ

MU

D-

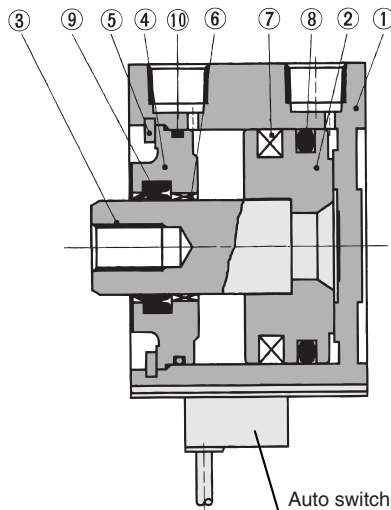
-X

20-

Data

Series CDQ2

Construction



Component Parts

No.	Description	Material	Note
①	Cylinder tube	Aluminum alloy	Hard anodized
②	Piston	Aluminum alloy	Chromated
③	Piston rod	Stainless steel	ø12 to ø25
		Carbon steel	ø32 to ø100, Hard chrome plated
④	Collar	Aluminum alloy	ø12 to ø40, Anodized
		Aluminum alloy casted	ø50 to ø100, Chromated, painted
⑤	Snap ring	Carbon tool steel	Phosphate coated
⑥	Bushing	Lead-bronze casted	For ø50 or larger only
⑦	Magnet	—	
⑧	Piston seal	NBR	
⑨	Rod seal	NBR	
⑩	Gasket	NBR	

Replacement Parts: Seal Kit

Series	Bore size (mm)	Kit no.	Contents
Pneumatic	12	CQ2B12-PS	Set of nos. above ⑧, ⑨, ⑩.
	16	CQ2B16-PS	
	20	CQ2B20-PS	
	25	CQ2B25-PS	
	32	CQ2B32-PS	
	40	CQ2B40-PS	
	50	CQ2B50-PS	
	63	CQ2B63-PS	
	80	CQ2B80-PS	
100	CQ2B100-PS		

Replacement Parts: Seal Kit

Series	Bore size (mm)	Kit no.	Contents
Air-hydro	20	CQ2BH20-PS	Set of nos. above ⑧, ⑨, ⑩.
	25	CQ2BH25-PS	
	32	CQ2BH32-PS	
	40	CQ2BH40-PS	
	50	CQ2BH50-PS	
	63	CQ2BH63-PS	
	80	CQ2BH80-PS	
	100	CQ2BH100-PS	

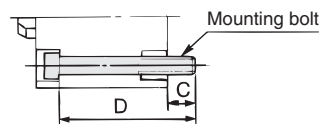
* Seal kits includes ⑧ ⑨ ⑩. Order the seal kit, based on each bore size.

Mounting Bolt for CDQ2 with Auto Switch

Mounting method: Mounting bolt for through-hole mounting style of CDQ2B is available as an option.

Ordering: Add the word "Bolt" in front of the bolts to be used.

Example) Bolt M3 x 35ℓ 2 pcs.



Model	C	D	Mounting bolt
CDQ2B12-5D	5.5	35	M3 x 35ℓ
-10D		40	x 40ℓ
-15D		45	x 45ℓ
-20D		50	x 50ℓ
-25D		55	x 55ℓ
-30D		65	x 60ℓ
CDQ2B16-5D	8	40	M3 x 40ℓ
-10D		45	x 45ℓ
-15D		50	x 50ℓ
-20D		55	x 55ℓ
-25D		60	x 60ℓ
-30D		65	x 65ℓ
CDQ2B20-5D	10.5	40	M5 x 40ℓ
-10D		45	x 45ℓ
-15D		50	x 50ℓ
-20D		55	x 55ℓ
-25D		60	x 60ℓ
-30D		65	x 65ℓ
-35D		70	x 70ℓ
-40D		75	x 75ℓ
-45D		80	x 80ℓ
-50D		85	x 85ℓ
CDQ2B25-5D	9.5	40	M5 x 40ℓ
-10D		45	x 45ℓ
-15D		50	x 50ℓ
-20D		55	x 55ℓ
-25D		60	x 60ℓ
-30D		65	x 65ℓ
-35D		70	x 70ℓ
-40D		75	x 75ℓ
-45D		80	x 80ℓ
-50D		85	x 85ℓ

Model	C	D	Mounting bolt
CDQ2B32-5D	9	40	M5 x 40ℓ
-10D		45	x 45ℓ
-15D		50	x 50ℓ
-20D		55	x 55ℓ
-25D		60	x 60ℓ
-30D		65	x 65ℓ
-35D		70	x 70ℓ
-40D		75	x 75ℓ
-45D		80	x 80ℓ
-50D		85	x 85ℓ
CDQ2B40-5D	7.5	45	M5 x 45ℓ
-10D		50	x 50ℓ
-15D		55	x 55ℓ
-20D		60	x 60ℓ
-25D		65	x 65ℓ
-30D		70	x 70ℓ
-35D		75	x 75ℓ
-40D		80	x 80ℓ
-45D		85	x 85ℓ
-50D		90	x 90ℓ
CDQ2B50-10D	12.5	55	M6 x 55ℓ
-15D		60	x 60ℓ
-20D		65	x 65ℓ
-25D		70	x 70ℓ
-30D		75	x 75ℓ
-35D		80	x 80ℓ
-40D		85	x 85ℓ
-45D		90	x 90ℓ
-50D		95	x 95ℓ
-75D		120	x 120ℓ
-100D	145	x 145ℓ	

Model	C	D	Mounting bolt
CDQ2B63-10D	14.5	60	M8 x 60ℓ
-15D		65	x 65ℓ
-20D		70	x 70ℓ
-25D		75	x 75ℓ
-30D		80	x 80ℓ
-35D		85	x 85ℓ
-40D		90	x 90ℓ
-45D		95	x 95ℓ
-50D		100	x 100ℓ
-75D		125	x 125ℓ
CDQ2B80-10D	15	65	M10 x 65ℓ
-15D		70	x 70ℓ
-20D		75	x 75ℓ
-25D		80	x 80ℓ
-30D		85	x 85ℓ
-35D		90	x 90ℓ
-40D		95	x 95ℓ
-45D		100	x 100ℓ
-50D		105	x 105ℓ
-75D		130	x 130ℓ
-100D	155	x 155ℓ	
CDQ2B100-10D	15.5	75	M10 x 75ℓ
-15D		80	x 80ℓ
-20D		85	x 85ℓ
-25D		90	x 90ℓ
-30D		95	x 95ℓ
-35D		100	x 100ℓ
-40D		105	x 105ℓ
-45D		110	x 110ℓ
-50D		115	x 115ℓ
-75D		140	x 140ℓ
-100D	165	x 165ℓ	

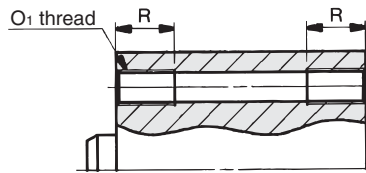
Series CQ2

Dimensions: $\phi 12$ to $\phi 25$

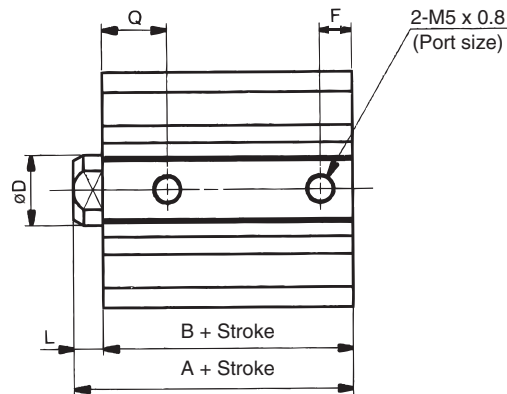
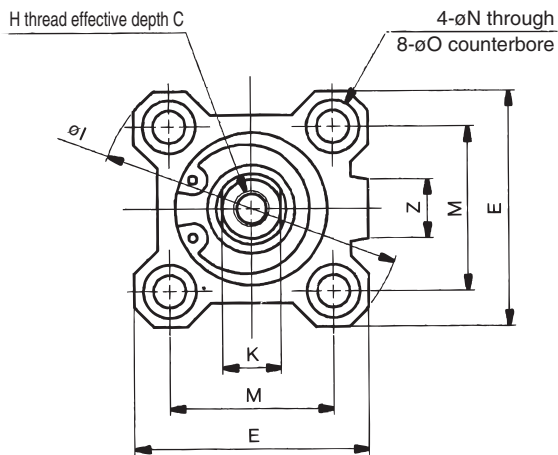
Basic style (Through-hole): CQ2B

Both ends tapped style: CQ2A

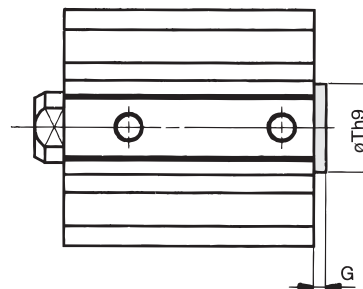
Both Ends Tapped Style



Bore size (mm)	O ₁	R
12	M4 x 0.7	7
16	M4 x 0.7	7
20	M6 x 1.0	10
25	M6 x 1.0	10



With boss in head side

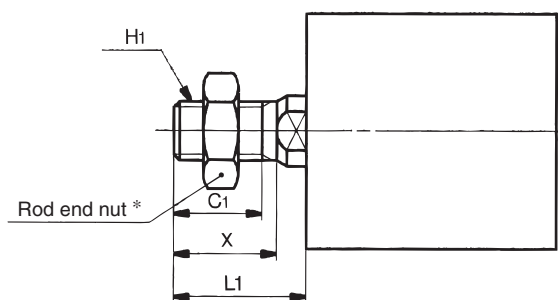


With Boss in Head Side

Bore size (mm)	G	Th9
12	1.5	15 ⁰ _{-0.043}
16	1.5	20 ⁰ _{-0.052}
20	2	13 ⁰ _{-0.043}
25	2	15 ⁰ _{-0.043}

Note) With boss in rod side:
Option
(Suffix "-XC36" to the end of part number.)

Rod end male thread



Rod End Male Thread

Bore size (mm)	C ₁	X	H ₁	L ₁
12	9	10.5	M5 x 0.8	14
16	10	12	M6 x 1.0	15.5
20	12	14	M8 x 1.25	18.5
25	15	17.5	M10 x 1.25	22.5

Basic Style

Bore size (mm)	Stroke range (mm)	A	B	C	D	E	F	H	I	K	L	M	N	O	Q	Z
12	5 to 30	20.5	17	6	6	25	5	M3 x 0.5	32	5	3.5	15.5	3.5	6.5 depth 3.5	7.5	—
16	5 to 30	22	18.5	8	8	29	5.5	M4 x 0.7	38	6	3.5	20	3.5	6.5 depth 3.5	8	10
20	5 to 50	24	19.5	7	10	36	5.5	M5 x 0.8	47	8	4.5	25.5	5.5	9 depth 7	9	10
25	5 to 50	27.5	22.5	12	12	40	5.5	M6 x 1.0	52	10	5	28	5.5	9 depth 7	11	10

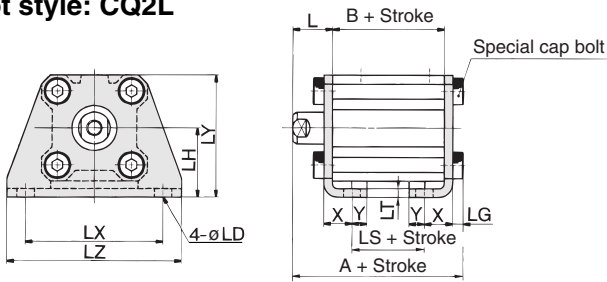
Note) External dimensions with rubber bumper are same as standard type as shown above.

* For details about the rod end nut and accessory brackets, refer to page 7-6-20.

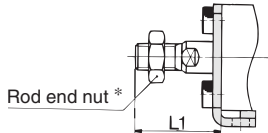
For calculation on the longitudinal dimension of the intermediate strokes, refer to page 7-6-3.

Compact Cylinder: Standard Type Double Acting, Single Rod Series CQ2

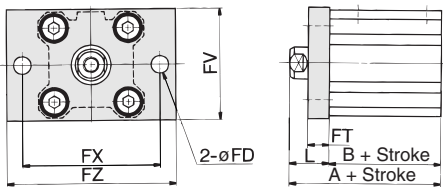
Foot style: CQ2L



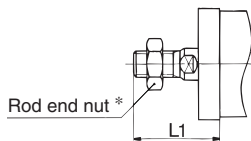
Rod end male thread



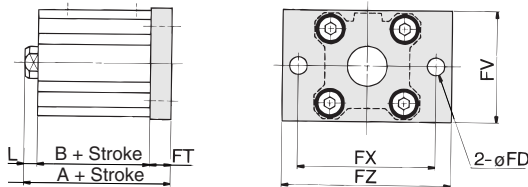
Rod side flange style: CQ2F



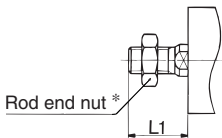
Rod end male thread



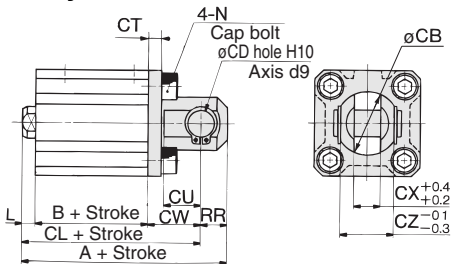
Head side flange style: CQ2G



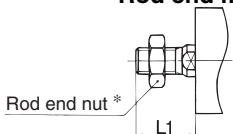
Rod end male thread



Double clevis style: CQ2D



Rod end male thread



Foot Style

Bore size (mm)	Stroke range (mm)	A	B	L	L1	LD	LG	LH	LS	LT	LX	LY	LZ	X	Y
12	5 to 30	35.3	17	13.5	24	4.5	2.8	17	5	2	34	29.5	44	8	4.5
16	5 to 30	36.8	18.5	13.5	25.5	4.5	2.8	19	6.5	2	38	33.5	48	8	5
20	5 to 50	41.2	19.5	14.5	28.5	6.6	4	24	7.5	3.2	48	42	62	9.2	5.8
25	5 to 50	44.7	22.5	15	32.5	6.6	4	26	7.5	3.2	52	46	66	10.7	5.8

Foot bracket material: Carbon steel

Rod Side Flange Style

Bore size (mm)	Stroke range (mm)	A	B	FD	FT	FV	FX	FZ	L	L1
12	5 to 30	30.5	17	4.5	5.5	25	45	55	13.5	24
16	5 to 30	32	18.5	4.5	5.5	30	45	55	13.5	25.5
20	5 to 50	34	19.5	6.6	8	39	48	60	14.5	28.5
25	5 to 50	37.5	22.5	6.6	8	42	52	64	15	32.5

Flange bracket material: Carbon steel

Head Side Flange Style

Bore size (mm)	Stroke range (mm)	A	L	L1
12	5 to 30	26	3.5	14
16	5 to 30	27.5	3.5	15.5
20	5 to 50	32	4.5	18.5
25	5 to 50	35.5	5	22.5

(* Dimensions except A, L and L1 are the same as rod side flange style.)

Flange bracket material: Carbon steel

Double Clevis Style

Bore size (mm)	Stroke range (mm)	A	B	CB	CD	CL	CT	CU	CW	CX	CZ	L	L1	N	RR
12	5 to 30	40.5	17	12	5	34.5	4	7	14	5	10	3.5	14	M4 x 0.7	6
16	5 to 30	43	18.5	14	5	37	4	10	15	6.5	12	3.5	15.5	M4 x 0.7	6
20	5 to 50	51	19.5	20	8	42	5	12	18	8	16	4.5	18.5	M6 x 1.0	9
25	5 to 50	57.5	22.5	24	10	47.5	5	14	20	10	20	5	22.5	M6 x 1.0	10

Double clevis bracket material: Carbon steel

* For details about the rod end nut and accessory brackets, refer to page 7-6-20.
** Clevis pin and snap ring are shipped together.

CUJ

CU

CQS

CQM

CQ2

RQ

MU

D-

-X

20-

Data

Series CDQ2

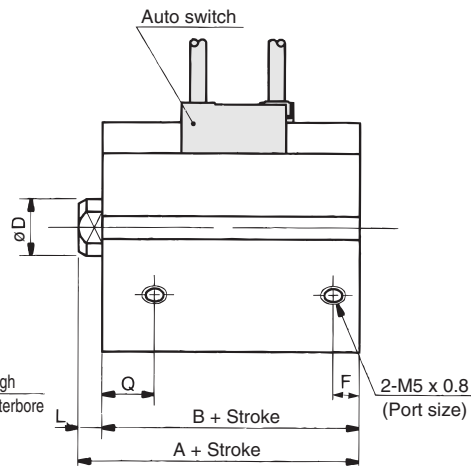
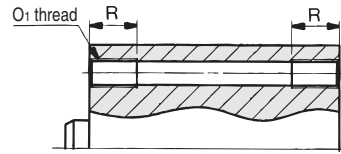
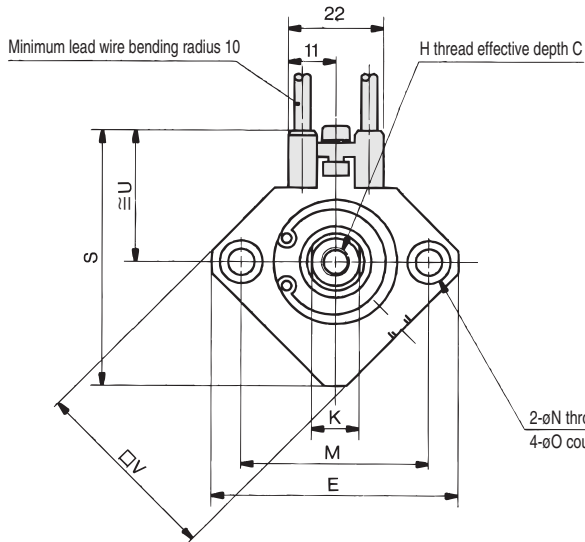
Dimensions: $\phi 12$ to $\phi 25$ /With Auto Switch

Basic style (Through-hole): CDQ2B

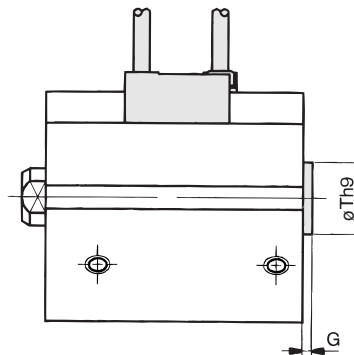
Both ends tapped style: CDQ2A

Both Ends Tapped Style

Bore size (mm)	O ₁	R
12	M4 x 0.7	7
16	M4 x 0.7	7
20	M6 x 1.0	10
25	M6 x 1.0	10



With boss in head side

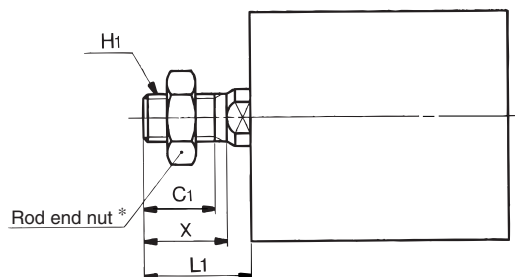


With Boss in Head Side

Bore size (mm)	G	Th9
12	1.5	15 ⁰ _{-0.043}
16	1.5	20 ⁰ _{-0.052}
20	2	13 ⁰ _{-0.043}
25	2	15 ⁰ _{-0.043}

Note 1) With boss in rod side:
Option
(Suffix "-XC36" to the end of part number.)

Rod end male thread



Rod End Male Thread

Bore size (mm)	C ₁	X	H ₁	L ₁
12	9	10.5	M5 x 0.8	14
16	10	12	M6 x 1.0	15.5
20	12	14	M8 x 1.25	18.5
25	15	17.5	M10 x 1.25	22.5

Auto switch shown above is D-A73 type and D-A80 type.
For the auto switch mounting position and its mounting height, refer to page 7-6-22.

Basic Style

Bore size (mm)	Stroke range (mm)	A	B	C	D	E	F	H	K	L	M	N	O	Q	S	U	V
12	5 to 30	31.5	28	6	6	32	6.5	M3 x 0.5	5	3.5	22	3.5	6.5 depth 3.5	11	35.5	19.5	25
16	5 to 30	34	30.5	8	8	38	5.5	M4 x 0.7	6	3.5	28	3.5	6.5 depth 3.5	10	41.5	22.5	29
20	5 to 50	36	31.5	7	10	47	5.5	M5 x 0.8	8	4.5	36	5.5	9 depth 7	10.5	48	24.5	36
25	5 to 50	37.5	32.5	12	12	52	5.5	M6 x 1.0	10	5	40	5.5	9 depth 7	11	53.5	27.5	40

Note 2) External dimensions with rubber bumper are same as standard type as shown above.

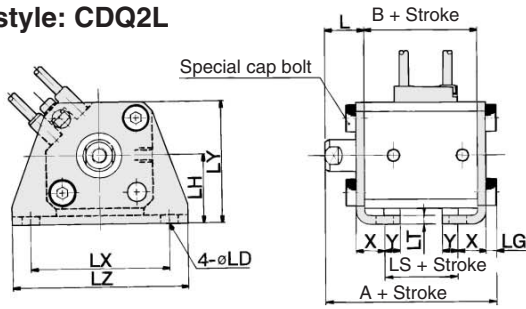
* For details about the rod end nut and accessory brackets, refer to page 7-6-20.

Note 3) For calculation on the longitudinal dimension of the intermediate strokes, refer to page 7-6-3.

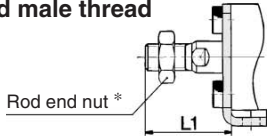
Compact Cylinder with Auto Switch: Standard Type **Series CDQ2**

Double Acting, Single Rod

Foot style: CDQ2L



Rod end male thread

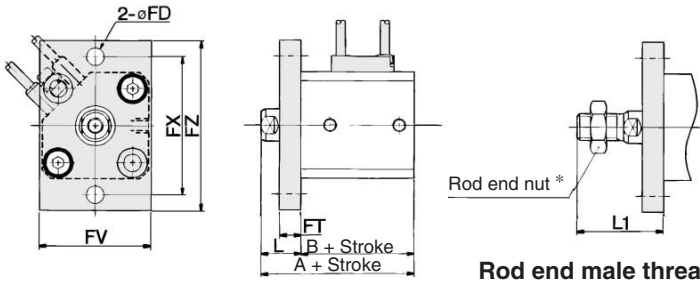


Foot Style

Bore size (mm)	Stroke range (mm)	A	B	L	L1	LD	LG	LH	LS	LT	LX	LY	LZ	X	Y
12	5 to 30	46.3	28	13.5	24	4.5	2.8	17	16	2	34	29.5	44	8	4.5
16	5 to 30	48.8	30.5	13.5	25.5	4.5	2.8	19	18.5	2	38	33.5	48	8	5
20	5 to 50	53.2	31.5	14.5	28.5	6.6	4	24	19.5	3.2	48	42	62	9.2	5.8
25	5 to 50	54.7	32.5	15	32.5	6.6	4	26	17.5	3.2	52	46	66	10.7	5.8

Foot bracket material: Carbon steel

Rod side flange style: CDQ2F



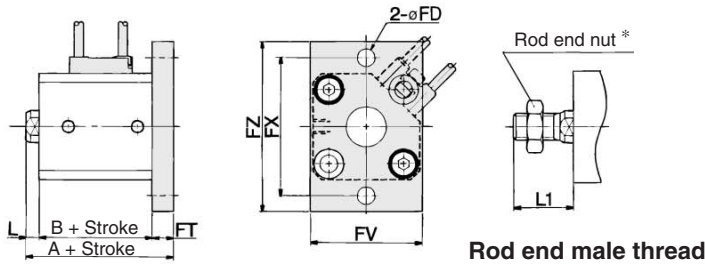
Rod end male thread

Rod Side Flange Style

Bore size (mm)	Stroke range (mm)	A	B	FD	FT	FV	FX	FZ	L	L1
12	5 to 30	41.5	28	4.5	5.5	25	45	55	13.5	24
16	5 to 30	44	30.5	4.5	5.5	30	45	55	13.5	25.5
20	5 to 50	46	31.5	6.6	8	39	48	60	14.5	28.5
25	5 to 50	47.5	32.5	6.6	8	42	52	64	15	32.5

Flange bracket material: Carbon steel

Head side flange style: CDQ2G



Rod end male thread

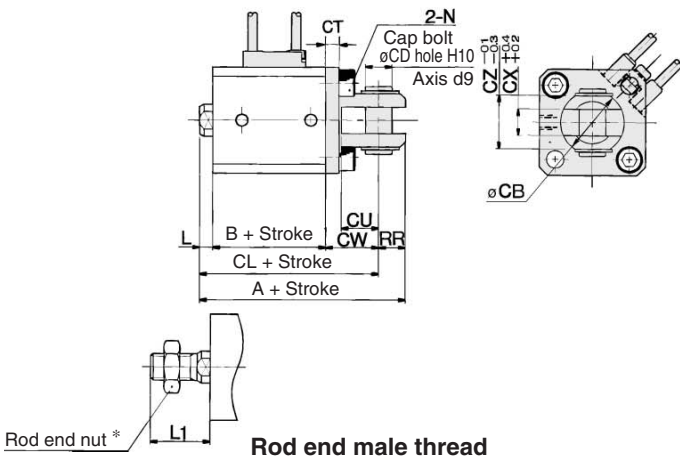
Head Side Flange Style

Bore size (mm)	Stroke range (mm)	A	L	L1
12	5 to 30	37	3.5	14
16	5 to 30	39.5	3.5	15.5
20	5 to 50	44	4.5	18.5
25	5 to 50	45.5	5	22.5

(* Dimensions except A, L and L1 are the same as rod side flange style.)

Flange bracket material: Carbon steel

Double clevis style: CDQ2G



Rod end male thread

Double Clevis Style

Bore size (mm)	Stroke range (mm)	A	B	CB	CD	CL	CT	CU	CW	CX	CZ	L	L1	N	RR
12	5 to 30	51.5	28	12	5	45.5	4	7	14	5	10	3.5	14	M4 x 0.7	6
16	5 to 30	55	30.5	14	5	49	4	10	15	6.5	12	3.5	15.5	M4 x 0.7	6
20	5 to 50	63	31.5	20	8	54	5	12	18	8	16	4.5	18.5	M6 x 1.0	9
25	5 to 50	67.5	32.5	24	10	57.5	5	14	20	10	20	5	22.5	M6 x 1.0	10

Double clevis bracket material: Carbon steel

* For details about the rod end nut and accessory brackets, refer to page 7-6-20.
** Clevis pin and snap ring are shipped together.

CUJ

CU

CQS

CQM

CQ2

RQ

MU

D-

-X

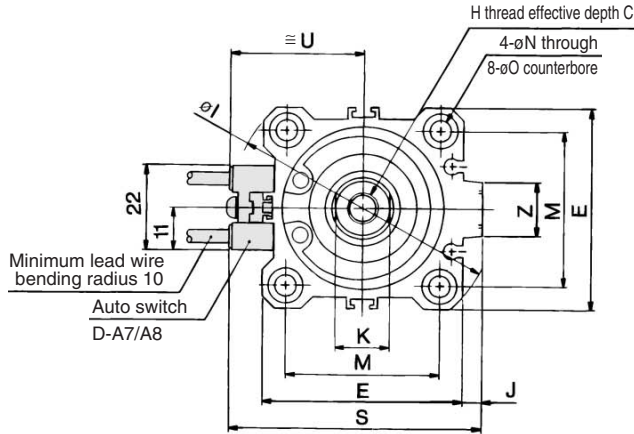
20-

Data

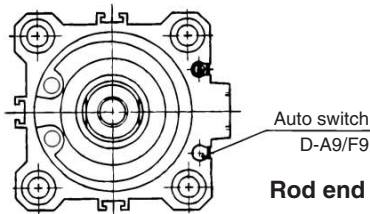
Series CQ2/CDQ2

Dimensions: $\phi 32$ to $\phi 50$

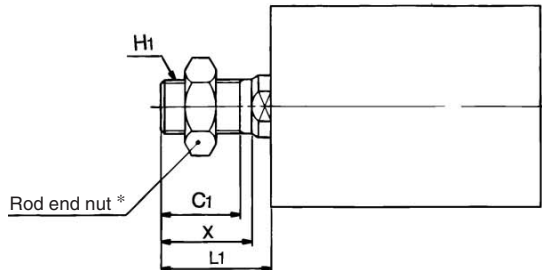
Basic style (Through-hole): CQ2B/CDQ2B



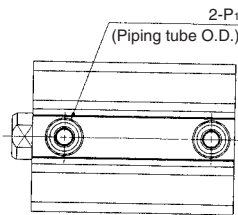
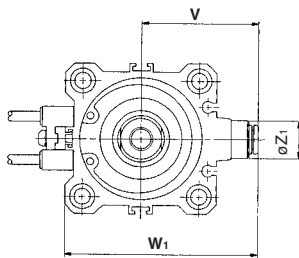
With boss in head side



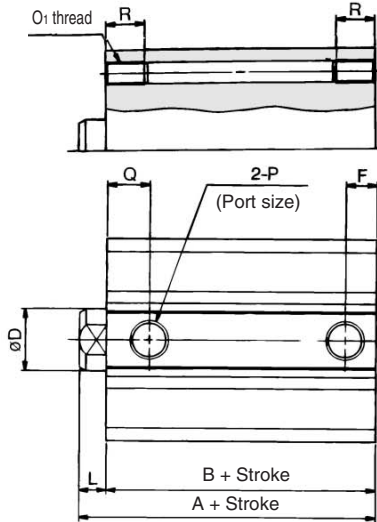
Rod end male thread



Built-in One-touch fittings: $\phi 32$ to $\phi 50$



Both ends tapped style: CDQ2A



Both Ends Tapped Style

Bore size (mm)	O ₁	R
32	M6 x 1.0	10
40	M6 x 1.0	10
50	M8 x 1.25	14

With Boss in Head Side

Bore size (mm)	Th9
32	21 ⁰ _{-0.052}
40	28 ⁰ _{-0.052}
50	35 ⁰ _{-0.062}

Rod End Male Thread

Bore size (mm)	C ₁	X	H ₁	L ₁
32	20.5	23.5	M14 x 1.5	28.5
40	20.5	23.5	M14 x 1.5	28.5
50	26	28.5	M18 x 1.5	33.5

Built-in One-touch Fittings

Bore size (mm)	Z ₁	P ₁	V	W ₁
32	13	6	36.5	59
40	13	6	40.5	66
50	16	8	50	82

Basic Style

Auto switch shown above is D-A73 type and D-A80 type. For the auto switch mounting position and its mounting height, refer to page 7-6-22.

Bore size (mm)	Stroke range (mm)	Without auto switch					With auto switch					C	D	E	H	I	J	K	L	M	
		A	B	F	P	Q	A	B	F	P	Q										
32	5			5.5	M5 x 0.8	11.5															
	10 to 50	30	23	7.5	Rc 1/8	10.5	40	33	7.5	Rc 1/8	10.5	13	16	45	M8 x 1.25	60	4.5	14	7	34	
	75, 100	40	33																		
40	5 to 50	36.5	29.5	8	Rc 1/8	11	46.5	39.5	8	Rc 1/8	11	13	16	52	M8 x 1.25	69	5	14	7	40	
	75, 100	46.5	39.5																		
	10 to 50	38.5	30.5	10.5	Rc 1/4	10.5	48.5	40.5	10.5	Rc 1/4	10.5	15	20	64	M10 x 1.5	86	7	17	8	50	
50	75, 100	48.5	40.5																		

Bore size (mm)	N	O	S	U	Z
32	5.5	9 depth 7	58.5	31.5	14
40	5.5	9 depth 7	66	35	14
50	6.6	11 depth 8	80	41	19

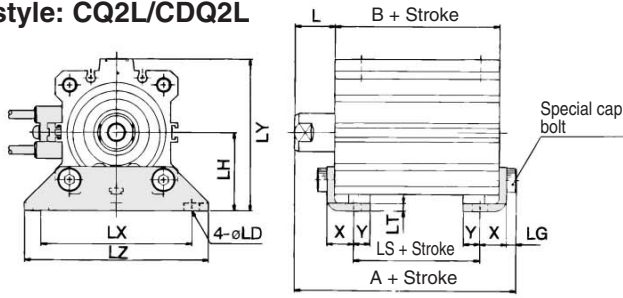


Note 1) External dimensions with rubber bumper are same as standard type as shown above.
* For details about the rod end nut and accessory brackets, refer to page 7-6-20.

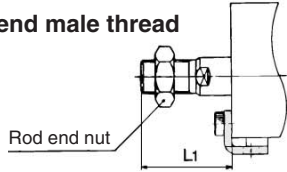
Note 2) For calculation on the longitudinal dimension of the intermediate strokes, refer to page 7-6-3. Because we have the spacer-installed type and the exclusive body type (-X10).

Compact Cylinder: Standard Type Double Acting, Single Rod Series **CQ2/CDQ2**

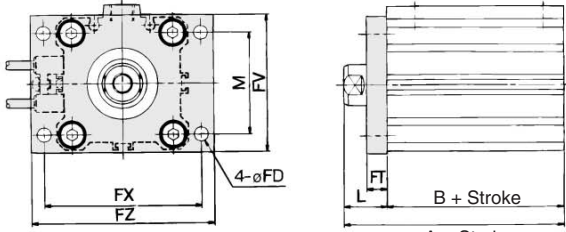
Foot style: CQ2L/CDQ2L



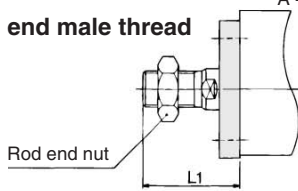
Rod end male thread



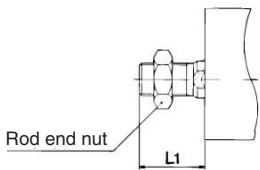
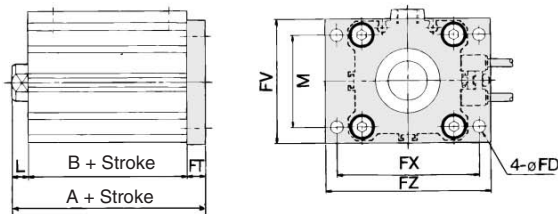
Rod side flange style: C□Q2F



Rod end male thread



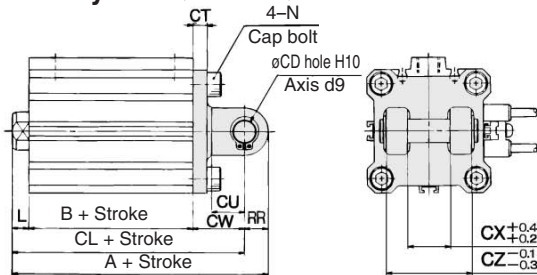
Head side flange style: CD2G/CDQ2G



Applicable to { Head side flange style
Double clevis style

Rod end male thread

Double clevis style: CQ2D/CPQ2D



Foot Style

Bore size (mm)	Stroke range (mm)	Without auto switch			With auto switch			L	L1	LD	LG	LH	LT	LX	LY
		A	B	LS	A	B	LS								
32	5 to 50	47.2	23	7	57.2	33	17	17	38.5	6.6	4	30	3.2	57	57
	75, 100	57.2	33	17											
40	5 to 50	53.7	29.5	13.5	63.7	39.5	23.5	17	38.5	6.6	4	33	3.2	64	64
	75, 100	63.7	39.5	23.5											
50	10 to 50	56.7	30.5	7.5	66.7	40.5	17.5	18	43.5	9	5	39	3.2	79	78
	75, 100	66.7	40.5	17.5											

Foot bracket material: Carbon steel

Bore size (mm)	LZ	X	Y
32	71	11.2	5.8
40	78	11.2	7
50	95	14.7	8

Rod Side Flange Style

Bore size (mm)	Stroke range (mm)	Without auto switch		With auto switch		FD	FT	FV	FX	FZ	L	L1	M
		A	B	A	B								
32	5 to 50	40	23	50	33	5.5	8	48	56	65	17	38.5	34
	75, 100	50	33										
40	5 to 50	46.5	29.5	56.5	39.5	5.5	8	54	62	72	17	38.5	40
	75, 100	56.5	39.5										
50	10 to 50	48.5	30.5	58.5	40.5	6.6	9	67	76	89	18	43.5	50
	75, 100	58.5	40.5										

Flange bracket material: Carbon steel

Head Side Flange Style

Bore size (mm)	Stroke range (mm)	Without auto switch		With auto switch		L	L1
		A		A			
32	5 to 50	38		48		7	28.5
	75, 100	48					
40	5 to 50	44.5		54.5		7	28.5
	75, 100	54.5					
50	10 to 50	47.5		57.5		8	33.5
	75, 100	57.5					

(* Dimensions except A, L and L1 are the same as rod side flange style.)

Flange bracket material: Carbon steel

Double Clevis Style

Bore size (mm)	Stroke range (mm)	Without auto switch			With auto switch			CD	CT	CU	CW	CX	CZ	L	L1
		A	B	CL	A	B	CL								
32	5 to 50	60	23	50	70	33	60	10	5	14	20	18	36	7	28.5
	75, 100	70	33	60											
40	5 to 50	68.5	29.5	58.5	78.5	39.5	68.5	10	6	14	22	18	36	7	28.5
	75, 100	78.5	39.5	68.5											
50	10 to 50	80.5	30.5	66.5	90.5	40.5	76.5	14	7	20	28	22	44	8	33.5
	75, 100	90.5	40.5	76.5											

Double clevis bracket material: Cast iron

Bore size (mm)	N	RR
32	M6 x 1.0	10
40	M6 x 1.0	10
50	M8 x 1.25	14

* For details about the rod end nut and accessory brackets, refer to page 7-6-20.
** Clevis pin and snap ring are shipped together.

CUJ

CU

CQS

CQM

CQ2

RQ

MU

D-

-X

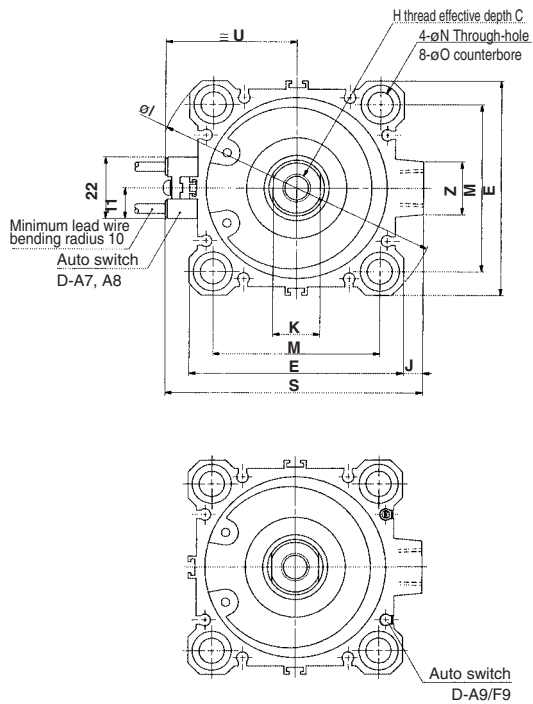
20-

Data

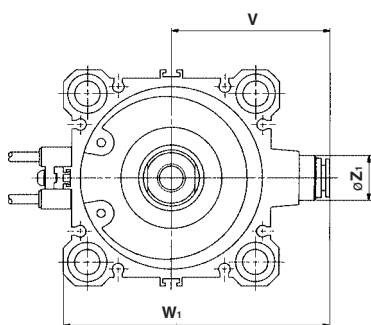
Series CQ2/CDQ2

Dimensions: $\varnothing 63$ to $\varnothing 100$

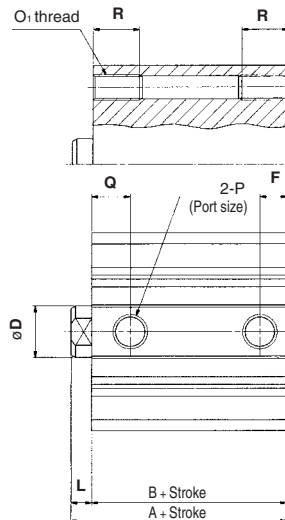
Basic style (Through-hole)



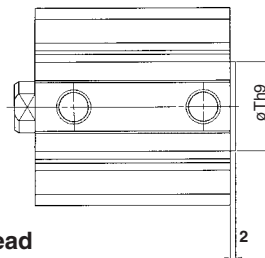
Basic style (Through-hole)



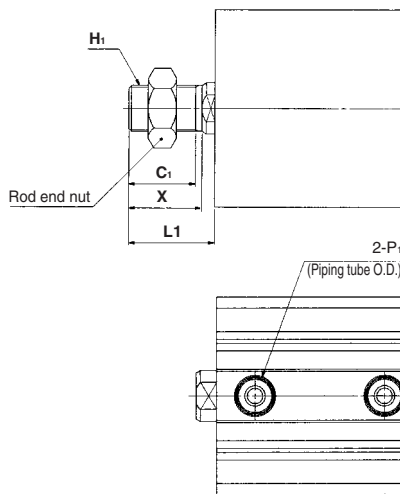
Both ends tapped style: CQ2A/CDQ2A



With boss in head side



Rod end male thread



Both Ends Tapped Style

Bore size (mm)	O ₁	R
63	M10 x 1.5	18
80	M12 x 1.75	22
100	M12 x 1.75	22

With Boss in Head Side

Bore size (mm)	Th9
63	35 ⁰ _{-0.062}
80	43 ⁰ _{-0.062}
100	59 ⁰ _{-0.074}

Note 1) With boss in rod side:
Option
(Suffix "-XC36" to the end of part number.)

Rod End Male Thread

Bore size (mm)	C ₁	X	H ₁	L ₁
63	26	28.5	M18 x 1.5	33.5
80	32.5	35.5	M22 x 1.5	43.5
100	32.5	35.5	M26 x 1.5	43.5

Built-in One-touch Fittings

Bore size (mm)	Z ₁	P ₁	V	W ₁
63	16	8	56.5	95

Basic Style Auto switch shown above is D-A73 type and D-A80 type. For the auto switch mounting position and its mounting height, refer to page 7-6-22.

Bore size (mm)	Stroke range (mm)	Without auto switch		With auto switch		C	D	E	F	H	I	J	K	L	M	N	O	P	Q	S
		A	B	A	B															
63	10 to 50	44	36	54	46	15	20	77	10.5	M10 x 1.5	103	7	17	8	60	9	14 depth 10.5	Rc 1/4	15	93
	75, 100	54	46																	
80	10 to 50	53.5	43.5	63.5	53.5	21	25	98	12.5	M16 x 2.0	132	6	22	10	77	11	17.5 depth 13.5	Rc 3/8	16	112.5
	75, 100	63.5	53.5																	
100	10 to 50	65	53	75	63	27	30	117	13	M20 x 2.5	156	6.5	27	12	94	11	17.5 depth 13.5	Rc 3/8	23	132.5
	75, 100	75	63																	

Bore size (mm)	U	Z
63	47.5	19
80	57.5	26
100	67.5	26

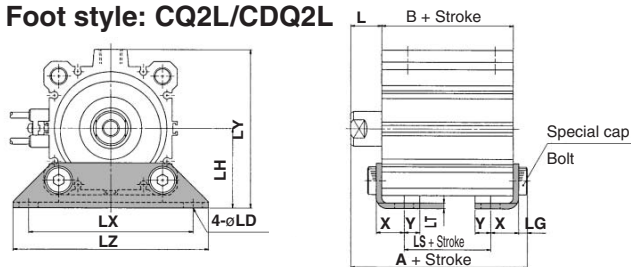
Note 2) External dimensions with rubber bumper are same as standard type as shown above.

* For details about the rod end nut and accessory brackets, refer to page 7-6-20.

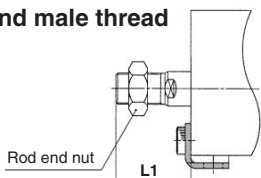
Note 3) For calculation on the longitudinal dimension of the intermediate strokes, refer to page 7-6-3.

Compact Cylinder: Standard Type Double Acting, Single Rod Series **CQ2/CDQ2**

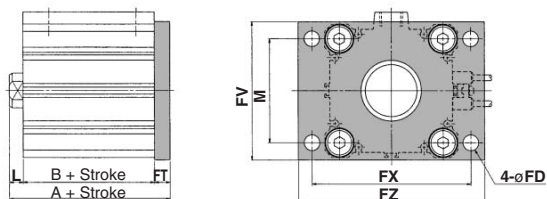
Foot style: CQ2L/CDQ2L



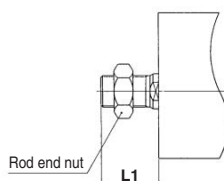
Rod end male thread



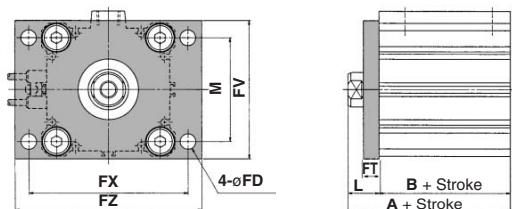
Head side flange style: CQ2G/CDQ2G



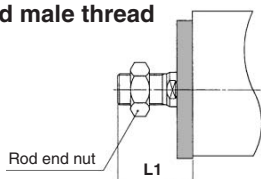
Rod end male thread



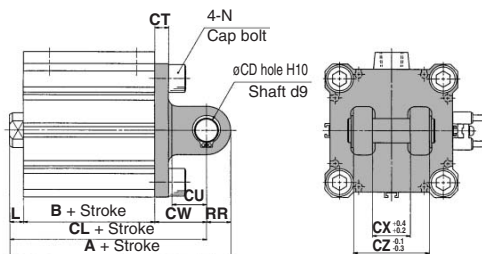
Rod side flange style: CQ2F/CDQ2F



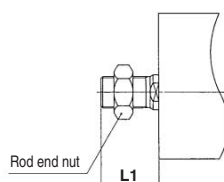
Rod end male thread



Double clevis style: CQ2D/CDQ2D



Rod end male thread



Foot Style

Bore size (mm)	Stroke range (mm)	Without auto switch			With auto switch			L	L1	LD	LG	LH	LT
		A	B	LS	A	B	LS						
63	10 to 50	62.2	36	10	72.2	46	20	18	43.5	11	5	46	3.2
	75, 100	72.2	46	20	85	53.5	23.5	20	53.5	13	7	59	4.5
80	10 to 50	75	43.5	13.5	85	53.5	23.5	20	53.5	13	7	59	4.5
	75, 100	85	53.5	23.5	98	63	29	22	53.5	13	7	71	6
100	10 to 50	88	53	19	98	63	29	22	53.5	13	7	71	6
	75, 100	98	63	29									

Foot bracket material: Carbon steel

Bore size (mm)	Stroke range (mm)	LX	LY	LZ	X	Y
63	10 to 50	95	91.5	113	16.2	9
	75, 100					
80	10 to 50	118	114	140	19.5	11
	75, 100					
100	10 to 50	137	136	162	23	12.5
	75, 100					

Rod Side Flange Style

Bore size (mm)	Stroke range (mm)	Without auto switch		With auto switch		FD	FT	FV	FX	FZ	L	L1	M
		A	B	A	B								
63	10 to 50	54	36	64	46	9	9	80	92	108	18	43.5	60
	75, 100	64	46										
80	10 to 50	63.5	43.5	73.5	53.5	11	11	99	116	134	20	53.5	77
	75, 100	73.5	53.5										
100	10 to 50	75	53	85	63	11	11	117	136	154	22	53.5	94
	75, 100	85	63										

Flange bracket material: Carbon steel

Head Side Flange Style

Bore size (mm)	Stroke range (mm)	Without auto switch		With auto switch		L	L1
		A	B	A	B		
63	10 to 50	53		63		8	33.5
	75, 100	63		63			
80	10 to 50	64.5		74.5		10	43.5
	75, 100	74.5		74.5			
100	10 to 50	76		86		12	43.5
	75, 100	86		86			

Flange bracket material: Carbon steel

Double Clevis Style

Bore size (mm)	Stroke range (mm)	Without auto switch		With auto switch		CD	CL	CT	CU	CW	CX	CZ	L
		A	B	A	B								
63	10 to 50	88	36	98	46	14	84	8	20	30	22	44	8
	75, 100	98	46										
80	10 to 50	109.5	43.5	119.5	53.5	18	101.5	10	27	38	28	56	10
	75, 100	119.5	53.5										
100	10 to 50	132	53	142	63	22	120	13	31	45	32	64	12
	75, 100	142	63										

Double clevis bracket material: Cast iron

Bore size (mm)	Stroke range (mm)	L1	N	RR
63	10 to 50	33.5	M10 x 1.5	14
	75, 100			
80	10 to 50	43.5	M12 x 1.75	18
	75, 100			
100	10 to 50	43.5	M12 x 1.75	22
	75, 100			

* For details about the rod end nut and accessory brackets, refer to page 7-6-20.
* Clevis pin and set ring are shipped together.

- CUJ
- CU
- CQS
- CQM
- CQ2**
- RQ
- MU
- D-
- X
- 20-
- Data

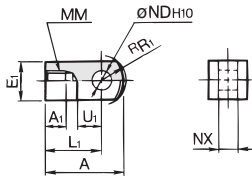
Series CQ2

Accessory Bracket

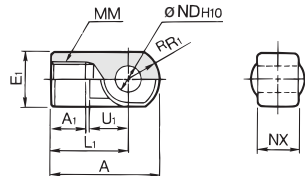
Single Knuckle Joint

For I-G012, I-Z015A
I-G02, I-G03

For I-G04, I-G05
I-G08, I-G10



Material: Carbon steel

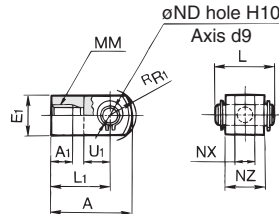


Material: Cast iron

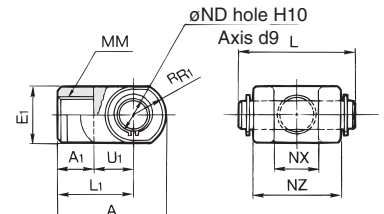
Double Knuckle Joint

For Y-G012, Y-Z015A
Y-G02, Y-G03

For Y-G04, Y-G05
Y-G08, Y-G10



Material: Carbon steel



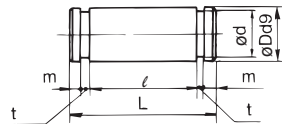
Material: Cast iron

Part no.	Applicable bore size (mm)	A	A ₁	E ₁	L ₁	MM	R _{R1}	U ₁	ND _{H10}	NX
I-G012	12	21.5	6	□10	16	M5 x 0.8	6.3	7	5 ^{+0.048} ₀	5 ^{-0.2} _{-0.4}
I-Z015A	16	32	8	□12	25	M6 x 1	8.1	14	5 ^{+0.048} ₀	6.4 ^{-0.1} _{-0.3}
I-G02	20	34	8.5	□16	25	M8 x 1.25	10.3	11.5	8 ^{+0.058} ₀	8 ^{-0.2} _{-0.4}
I-G03	25	41	10.5	□20	30	M10 x 1.25	12.8	14	10 ^{+0.058} ₀	10 ^{-0.2} _{-0.4}
I-G04	32, 40	42	14	ø22	30	M14 x 1.5	12	14	10 ^{+0.058} ₀	18 ^{-0.3} _{-0.5}
I-G05	50, 63	56	18	ø28	40	M18 x 1.5	16	20	14 ^{+0.070} ₀	22 ^{-0.3} _{-0.5}
I-G08	80	71	21	ø38	50	M22 x 1.5	21	27	18 ^{+0.070} ₀	28 ^{-0.3} _{-0.5}
I-G10	100	79	21	ø44	55	M26 x 1.5	24	31	22 ^{+0.084} ₀	32 ^{-0.3} _{-0.5}

Part no.	Applicable bore size (mm)	A	A ₁	E ₁	L ₁	MM	R _{R1}	U ₁	ND _{H10}	NX	NZ	L	Applicable pin part no.
Y-G012	12	21.5	6	□10	16	M5 x 0.8	6.3	7	5 ^{+0.048} ₀	5 ^{-0.4} _{-0.2}	10	14.6	IY-G012
Y-Z015A	16	28	11	□12	21	M6 x 1	8.1	10	5 ^{+0.048} ₀	6.5 ^{+0.2} _{-0.2}	12	16.6	IY-J015
Y-G02	20	34	8.5	□16	25	M8 x 1.25	10.3	11.5	8 ^{+0.058} ₀	8 ^{-0.4} _{-0.2}	16	21	IY-G02
Y-G03	25	41	10.5	□20	30	M10 x 1.25	12.8	14	10 ^{+0.058} ₀	10 ^{-0.4} _{-0.2}	20	25.6	IY-G03
Y-G04	32, 40	42	16	ø22	30	M14 x 1.5	12	14	10 ^{+0.058} ₀	18 ^{+0.5} _{-0.3}	36	41.6	IY-G04
Y-G05	50, 63	56	20	ø28	40	M18 x 1.5	16	20	14 ^{+0.070} ₀	22 ^{+0.5} _{-0.3}	44	50.6	IY-G05
Y-G08	80	71	23	ø38	50	M22 x 1.5	21	27	18 ^{+0.070} ₀	28 ^{+0.5} _{-0.3}	56	64	IY-G08
Y-G10	100	79	24	ø44	55	M26 x 1.5	24	31	22 ^{+0.084} ₀	32 ^{+0.5} _{-0.3}	64	72	IY-G10

* Knuckle pin and snap ring are included.

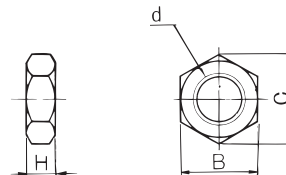
Knuckle Pin (Common with double clevis pin)



Material: Carbon steel

Part no.	Applicable bore size (mm)	Dd9	L	d	ℓ	m	t	Applicable snap ring
IY-G012	12	5 ^{-0.030} _{-0.060}	14.6	4.8	10.2	1.5	0.7	Type C 5 for axis
IY-J015	16	5 ^{-0.030} _{-0.060}	16.6	4.8	12.2	1.5	0.7	Type C 5 for axis
IY-G02	20	8 ^{-0.040} _{-0.076}	21	7.6	16.2	1.5	0.9	Type C 8 for axis
IY-G03	25	10 ^{-0.040} _{-0.076}	25.6	9.6	20.2	1.55	1.15	Type C 10 for axis
IY-G04	32, 40	10 ^{-0.040} _{-0.076}	41.6	9.6	36.2	1.55	1.15	Type C 10 for axis
IY-G05	50, 63	14 ^{-0.050} _{-0.093}	50.6	13.4	44.2	2.05	1.15	Type C 14 for axis
IY-G08	80	18 ^{-0.050} _{-0.093}	64	17	56.2	2.55	1.35	Type C 18 for axis
IY-G10	100	22 ^{-0.065} _{-0.117}	72	21	64.2	2.55	1.35	Type C 22 for axis

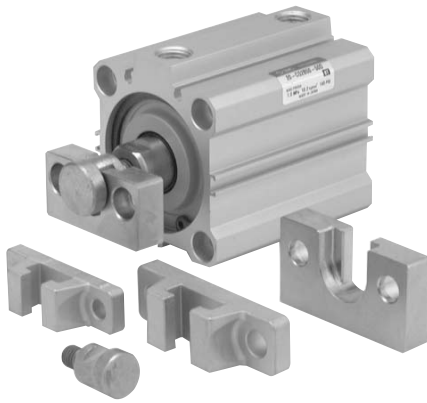
Rod End Nut



Material: Carbon steel

Part no.	Applicable bore size (mm)	d	H	B	C
NTJ-015A	12	M5 x 0.8	4	8	9.2
NT-015A	16	M6 x 1	5	10	11.5
NT-02	20	M8 x 1.25	5	13	15.0
NT-03	25	M10 x 1.25	6	17	19.6
NT-04	32, 40	M14 x 1.5	8	22	25.4
NT-05	50, 63	M18 x 1.5	11	27	31.2
NT-08	80	M22 x 1.5	13	32	37.0
NT-10	100	M26 x 1.5	16	41	47.3

Simple Joint: $\phi 32$ to $\phi 100$



Joint and Mounting Bracket (Type A, Type B) Part No.

YA	03	• Applicable air cylinder bore
• Mounting bracket		
YA	Type A mounting bracket	03 For $\phi 32, \phi 40$
YB	Type B mounting bracket	05 For $\phi 50, \phi 63$
YU	Joint	08 $\phi 80$
		10 $\phi 100$

Allowable Eccentricity

Bore size (mm)	32	40	50	63	80	100
Eccentricity tolerance	±1			±1.5		±2
Backlash	0.5					

<Ordering>

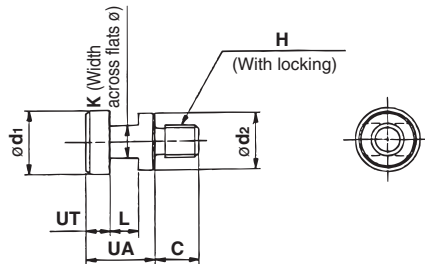
- Joints are not included with the A or B type mounting brackets. Order them separately.

(Example)

- Bore size $\phi 40$ Part no.
- Type A mounting bracket part no. YA-03
- Joint YU-03

Joint Part No.

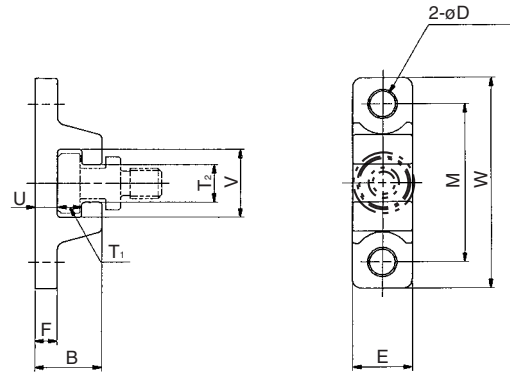
Bore size (mm)	Joint part no.	Applicable mounting bracket		Weight (g)
		Type A mounting bracket	Type B mounting bracket	
32, 40	YU-03	YA-03	YB-03	25
50, 63	YU-05	YA-05	YB-05	40
80	YU-08	YA-08	YB-08	90
100	YU-10	YA-10	YB-10	160



Material: Chromium molybdenum steel (Nickel plated)

Part no.	Applicable bore size (mm)	UA	C	d_1	d_2	H	K	L	U	Weight (g)
YU-03	32, 40	17	11	15.8	14	M8 x 1.25	8	7	6	25
YU-05	50, 63	17	13	19.8	18	M10 x 1.5	10	7	6	40
YU-08	80	22	20	24.8	23	M16 x 2	13	9	8	90
YU-10	100	26	26	29.8	28	M20 x 2.5	14	11	10	160

Type A Mounting Bracket

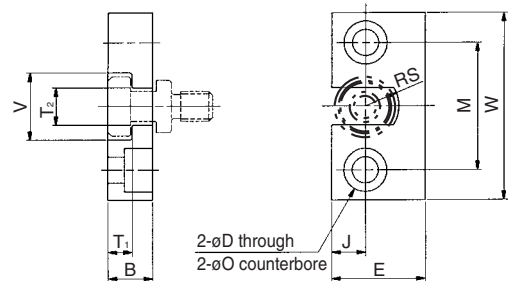


Material: Chromium molybdenum steel (Nickel plated)

Part no.	Bore size (mm)	B	D	E	F	M	T_1	T_2
YA-03	32, 40	18	6.8	16	6	42	6.5	10
YA-05	50, 63	20	9	20	8	50	6.5	12
YA-08	80	26	11	25	10	62	8.5	16
YA-10	100	31	14	30	12	76	10.5	18

Part no.	Bore size (mm)	U	V	W	Weight (g)
YA-03	32, 40	6	18	56	55
YA-05	50, 63	8	22	67	100
YA-08	80	10	28	83	195
YA-10	100	12	36	100	340

Type B Mounting Bracket



Material: Precision die-casting material equivalent to stainless steel 304

Part no.	Bore size (mm)	B	D	E	J	M	ϕO
YB-03	32, 40	12	7	25	9	34	11.5 depth 7.5
YB-05	50, 63	12	9	32	11	42	14.5 depth 8.5
YB-08	80	16	11	38	13	52	18 depth 12
YB-10	100	19	14	50	17	62	21 depth 14

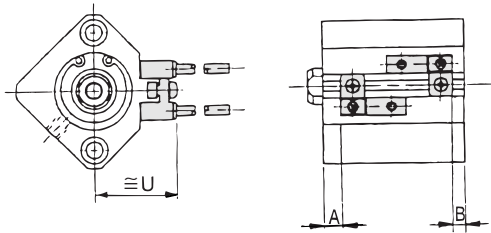
Part no.	Bore size (mm)	T_1	T_2	V	W	RS	Weight (g)
YB-03	32, 40	6.5	10	18	50	9	80
YB-05	50, 63	6.5	12	22	60	11	120
YB-08	80	8.5	16	28	75	14	230
YB-10	100	10.5	18	36	90	18	455

Series CDQ2

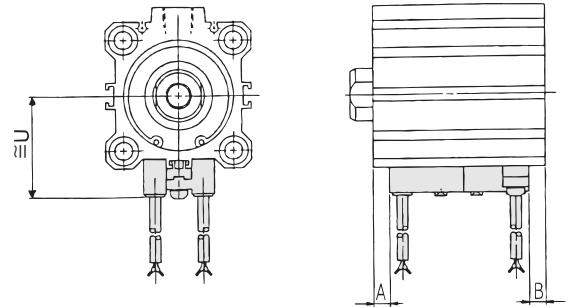
Proper Auto Switch Mounting Position (Detection at stroke end) and Its Mounting Height

D-A7□
D-A80

ø12 to ø25

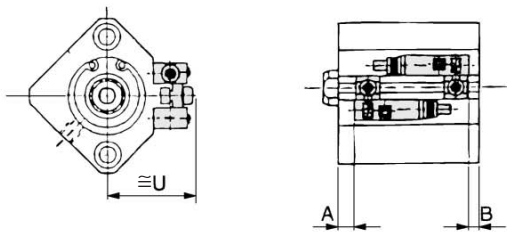


ø32 to ø100

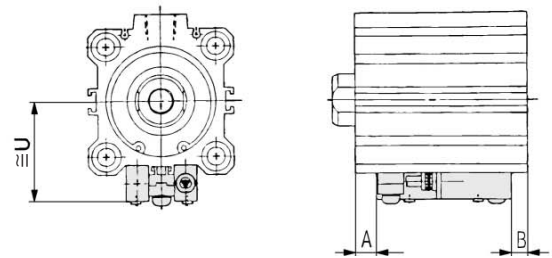


D-A7□H
D-A80H
D-F7□
D-J79
D-F7□W
D-J79W
D-F79F
D-F7NTL
D-F7BAL

ø12 to ø25

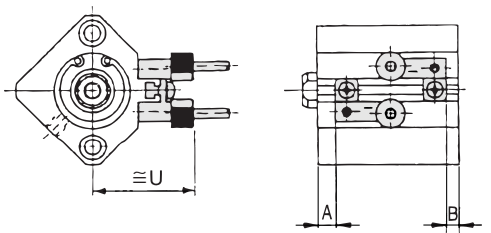


ø32 to ø100

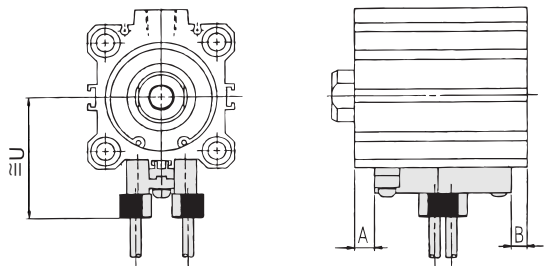


D-A73C
D-A80C
D-J79C

ø12 to ø25

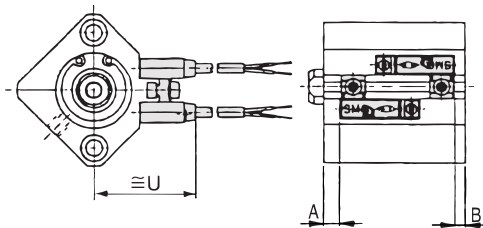


ø32 to ø100

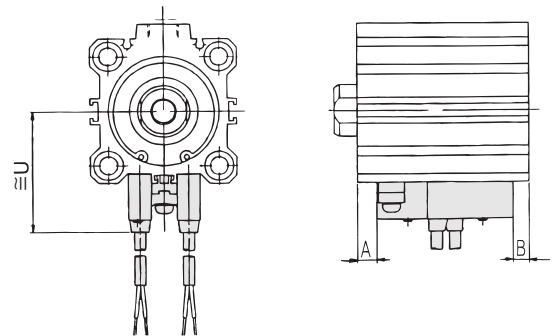


D-A79W
D-F7□WV
D-F7□V
D-F7BAVL

ø12 to ø25



ø32 to ø100

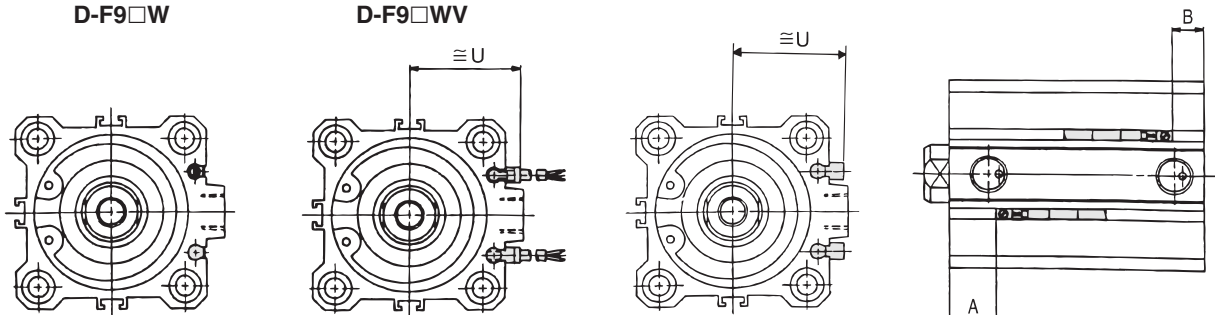


ø32 to ø100

D-A9□
D-M9□
D-F9□W

D-A9□V
D-M9□V
D-F9□WV

D-F9BAL



Compact Cylinder with Auto Switch: Standard Type Double Acting, Single Rod **Series CDQ2**

Operating Range

Auto switch model	Bore size (mm)														
	12	16	20	25	32	40	50	63	80	100	125	140	160	180	200
D-A7□(H)(C) D-A80□(H)(C)	10	12	12	12	12	11	10	12	12	13	13	13	13	—	—
D-A9□(V)	—	—	—	—	9.5	9.5	9.5	11.5	9	11.5	—	—	—	—	—
D-Z7□ D-Z80	—	—	—	—	—	—	—	—	—	—	14	14	14	15	15.5
D-F7□(V) D-J79(C) D-F7□W(V) D-F7BA(V)L D-F7NTL D-F79F	5.5	6	5.5	5	6	6	6	6.5	6.5	7	9	9	8.5	—	—
D-F9□(V) D-F9□W(V) D-F9BA(V)L D-Y59□	—	—	—	—	5.5	5.5	5.5	6.5	5.5	6.5	—	—	—	—	—
D-Y69□ D-Y7P(V) D-Y7□W(V)	—	—	—	—	—	—	—	—	—	—	11.5	11.5	11.5	12	12
D-Y7BAL D-P5DW	—	—	—	—	—	—	—	—	—	—	5.5	5.5	5.5	6	6
	—	—	—	—	—	5	5	5	5	5.5	—	—	—	—	—

* Since this is a guideline including hysteresis, not meant to be guaranteed. (Assuming approximately ±30% dispersion)
There may be the case to change substantially depending on an ambient environment.

Other than the applicable auto switches listed in "How to Order", the following auto switches can be mounted. For detailed specifications, refer to page 7-9-1.

Type	Model	Electrical entry (Fetching direction)	Features	Applicable bore size (mm)
Reed switch	D-A80	Grommet (Perpendicular)	Without indicator light	12 to 160
	D-A80H	Grommet (In-line)		
	D-A80C	Connector (Perpendicular)		
	D-Z80	Grommet (In-line)		125 to 200
	D-A90	Grommet (In-line)		32 to 100
Solid state switch	D-A90V	Grommet (Perpendicular)	With timer	12 to 160
	D-F7NNTL	Grommet (In-line)		

* With pre-wire connector is available for D-F7NNTL type, too. For details, refer to page 7-9-36.

* Normally closed (NC = b contact), solid state switches (D-F9G/F9H/Y7G/Y7H type) are available, too. For details, refer to page 7-9-23 and 24.

CUJ

CU

CQS

CQM

CQ2

RQ

MU

D-

-X

20-

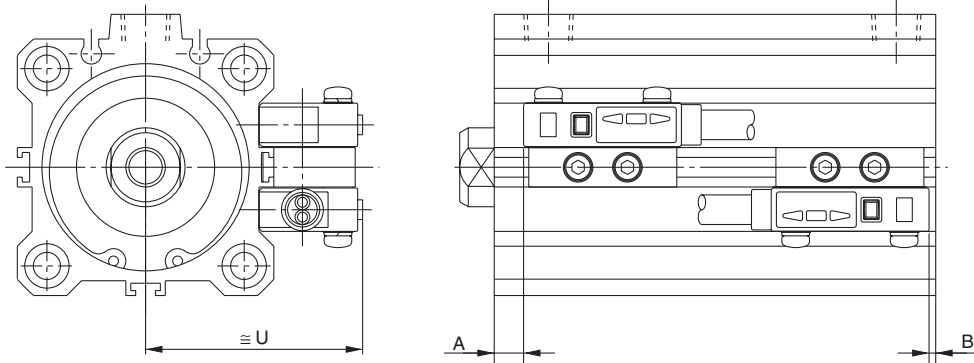
Data

Series CDQ2

Proper Auto Switch Mounting Position (Detection at stroke end) and Its Mounting Height

ø40 to ø100

D-P5DWL



Proper Auto Switch Mounting Position

Bore size (mm)	D-A7□/A80		D-A7□H/A80H D-A73C/A80C D-F7□/J79/J79W D-F7□V/J79C D-F7□W/F7□WV D-F7BAL/F7BAVL D-F79F		D-A79W		D-A9□ D-A9□V		D-M9□ D-M9□V D-F9□W D-F9□WV		D-F9BAL		D-P5DWL	
	A	B	A	B	A	B	A	B	A	B	A	B	A	B
12	4.5	5.5	5	6	2	3	—	—	—	—	—	—	—	—
16	7.5	5	8	5.5	5	2.5	—	—	—	—	—	—	—	—
20	7.5	6.5	8	7	5	4	—	—	—	—	—	—	—	—
25	7.5	7	8	7.5	5	4.5	—	—	—	—	—	—	—	—
32	9.0	6	9.5	6.5	6.5	3.5	8	5	12	9	11	8	—	—
40	13	8.5	13.5	9	10.5	6	12	7.5	16	11.5	15	10.5	9	4.5
50	11	11.5	11.5	12	8.5	9	10	10.5	14	14.5	13	13.5	7	7.5
63	13.5	14.5	14	15	11	12	12.5	13.5	16.5	17.5	15.5	16.5	9.5	10.5
80	17.5	18	18	18.5	15	15.5	16.5	17	20.5	21	19.5	20	13.5	14
100	21	24	21.5	24.5	18.5	21.5	20	23	24	27	23	26	17	20

Auto Switch Mounting Height

Bore size (mm)	D-A7□ D-A80	D-A7□H D-A80H D-F7□ D-J79 D-F7□W	D-J79W D-F7BAL D-F79F D-F7NTL	D-A73C D-A80C	D-F7□V D-F7□WV D-F7BAVL	D-J79C	D-A79W	D-A9□V	D-M9□V D-F9□WV	D-F9BAL	D-P5DWL
	U	U		U	U	U	U	U	U	U	U
12	19.5	20.5		26.5	23	26	22	—	—	—	—
16	22.5	23.5		29.5	26	29	25	—	—	—	—
20	24.5	25.5		31.5	28	31	27	—	—	—	—
25	27.5	28.5		34.5	31	34	30	—	—	—	—
32	31.5	32.5		38.5	35	38	34	27	29	26.5	—
40	35	36		42	38.5	41.5	37.5	30.5	32.5	30	44
50	41	42		48	44.5	47.5	43.5	36.5	38.5	36	50
63	47.5	48.5		54.5	51	54	50	40	42	39.5	56.5
80	57.5	58.5		64.5	61	64	60	50	52	49.5	66.5
100	67.5	68.5		74.5	71	74	70	60	62	59.5	76.5



Made to Order Common Specifications: -XC8: Adjustable Stroke Cylinder/ Adjustable Extension Type

Symbol

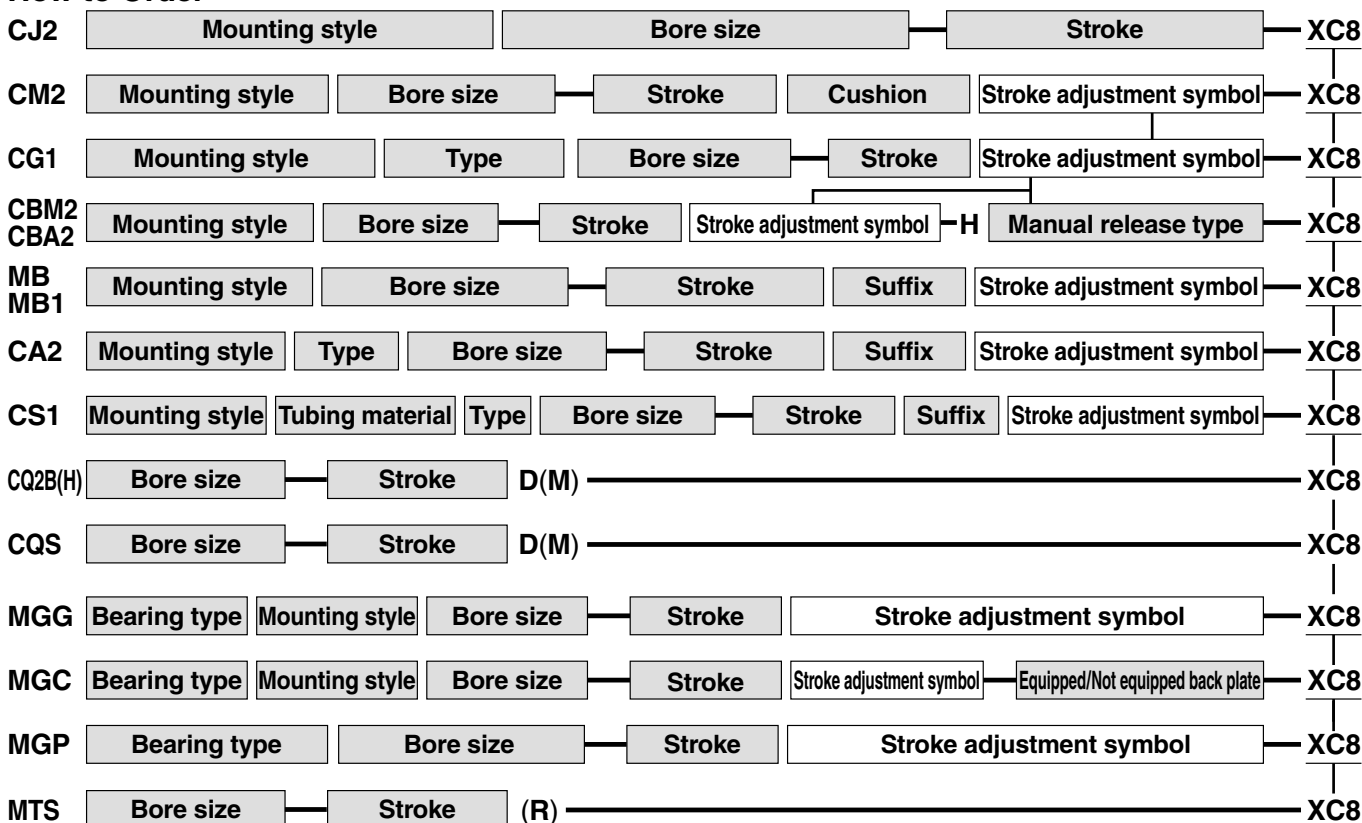
16 Adjustable Stroke Cylinder/Adjustable Extension Type -XC8

It adjusts the extending stroke by the stroke adjustable mechanism equipped in the head side. (After the stroke is adjusted, with cushion on both sides is altered to single-sided, with cushion.)

Applicable Series

Series	Description	Model	Action	Note	Vol. no. (for std model)
CJ2	Air cylinder	CJ2	Double acting, Single rod	Except with air cushion	6
CM2	Air cylinder	CM2	Double acting, Single rod		6
	Non-rotating rod type	CM2K	Double acting, Single rod		
	Direct mount type	CM2R	Double acting, Single rod		
	Cylinder with end lock	CBM2	Double acting, Single rod	Locking in head side only	
CG1	Air cylinder	CG1	Double acting, Single rod		6
	Non-rotating rod type	CG1K	Double acting, Single rod	Except with air cushion	
	Direct mount type	CG1R	Double acting, Single rod	Except with air cushion	
MB	Air cylinder	MB	Double acting, Single rod		6
	Non-rotating rod type	MBK	Double acting, Single rod		
MB1	Air cylinder	MB1	Double acting, Single rod		6
CA2	Air cylinder	CA2	Double acting, Single rod		6
	Non-rotating rod type	CA2K	Double acting, Single rod		
	Cylinder with end lock	CBA2	Double acting, Single rod	Locking in head side only	
CS1	Air cylinder	CS1	Double acting, Single rod		6
CQS	Compact cylinder	CQS	Double acting, Single rod	With rubber bumper, except with bracket	7
	Non-rotating rod	CQSK	Double acting, Single rod	With rubber bumper, except with bracket	
CQ2	Compact cylinder	CQ2	Double acting, Single rod	With rubber bumper, except with bracket	7
	Non-rotating rod type	CQ2K	Double acting, Single rod	With rubber bumper, except with bracket	
	Air-hydro type	CQ2H	Double acting, Single rod		
MTS	Precision cylinder	MTS	Double acting, Single rod		8
MGP	Compact guide cylinder	MGP	Double acting		8
		MGPA	High precision type		
MGG	Guide cylinder	MGG	Standard type		8
MGC		MGC	Compact type		8

How to Order



Adjustable stroke cylinder/Adjustable extend type



- CJ1
- CJP
- CJ2
- CM2
- CG1
- MB
- MB1
- CA2
- CS1
- C76
- C85
- C95
- CP95
- NCM
- NCA
- D-
- X
- 20-
- Data

Made to Order Common Specifications: -XC8: Adjustable Stroke Cylinder/ Adjustable Extension Type

16 Adjustable Stroke Cylinder/Adjustable Extension Type

Specifications

Series	Stroke adjustment symbol	Stroke adjustment range (mm)
CJ2	—	0 to 15
CM2 CG1 MB MB1 CA2 CS1	A	0 to 25
	B	0 to 50

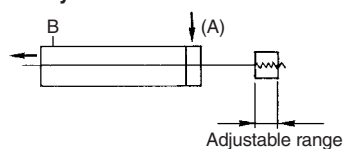
Note) Specifications other than above are the same as standard type.

Series	Stroke adjustment symbol	Stroke adjustment range (mm)
CQ2 CQS	—	0 to 10
MGG MGC	A	0 to 25
	B	0 to 50
MGP	A	0 to 10
	B	0 to 25
MTS	—	0 to 10 (ø8)
		0 to 25 (ø12 to ø40)

Warning Precautions

- When the cylinder is operating, if something gets caught between the stopper bracket for adjusting the stroke and the cylinder body, it could injure personnel or damage the peripheral equipment. Therefore, take preventive measures as necessary, such as installing a protective cover.
- To adjust the stroke, make sure to secure the wrench flats of the stopper bracket before loosening the nut. If the nut is loosened without securing the stopper bracket, be aware that the area that joins the load to the piston rod or the area in which the piston rod is joined with the load side and the stopper bracket side could loosen first.

JIS Symbol

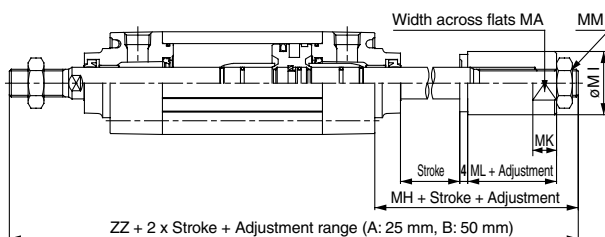


Made to Order Common Specifications: Adjustable Stroke Cylinder/Adjustable Extension Type

Symbol
-XC8

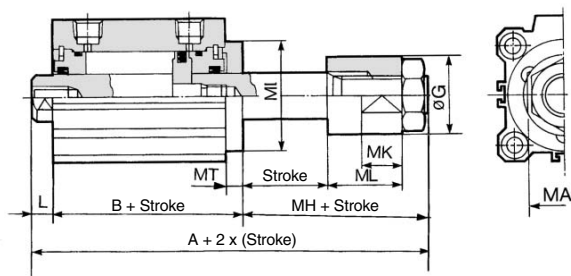
Dimensions (Dimensions other than below are the same as standard type.)

Series MB1



Bore size (mm)	MA	MK	MI	MH	ML	MM	ZZ
32	21	10	24	44	18	10	175
40	27	12	32	48	20	14	183
50	32	15	38	53	21	18	205
63	32	15	38	53	21	18	205
80	36	20	45	72	32	22	258
100	46	20	55	75	32	26	261

Series CQ2, CQ2BH

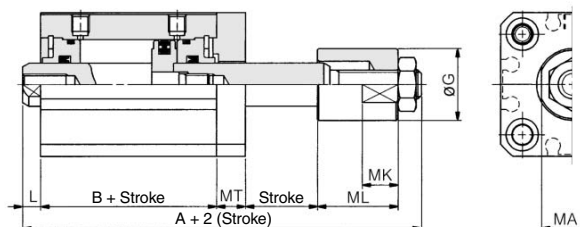


(): Denotes the dimensions with auto switch.

Bore size (mm)	A	B	L	MH	MT	MA	MI	MK	ML	øG	Available for use stroke
12	57.7 (64.9)	30.2 (37.4)	3.5	24	5	11	□25	7	19	14	5 to 30
16	58.5 (68.5)	31 (41)	3.5	24	5	11	□28	7	19	14	
20	67.5 (79.5)	34 (46)	4.5	29	8	17	□36	10	22.5	20	5 to 50
25	71 (81)	37 (47)	5	29	8	17	□40	10	22.5	20	
32	78.5 (88.5)	36.5 (46.5)	7	35	6	24	ø38	14	26	27	10 to 50
40	88 (98)	46 (56)	7	35	6	24	ø46	14	26	27	
50	100.5 (110.5)	48.5 (58.5)	8	44	8	30	ø57	16	30	35	10 to 50
63	102 (112)	52 (62)	8	42	10	30	ø68	16	30	35	
80	125 (135)	63 (73)	10	52	12	41	ø90	20	38	48	
100	138.5 (148.5)	74.5 (84.5)	12	52	14	41	ø110	20	38	48	

Note) Applicable stroke available by the 5 mm interval.

Series CQS

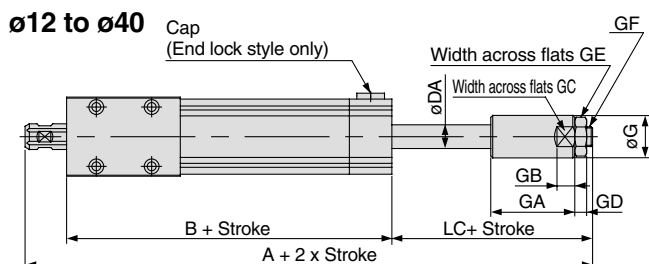
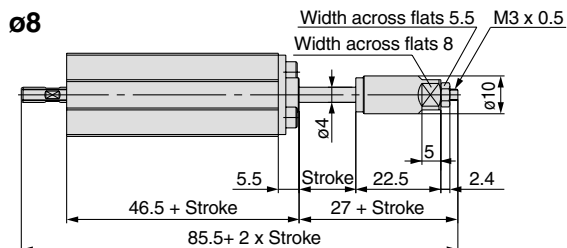


Bore size (mm)	A	B	L	MT	MA	MK	ML	øG	Stroke
12	56.1 (61.1)	22 (27)	3.5	5	11	7	19	14	5 to 30
16	56.5 (61.5)	22 (27)	3.5	5	11	7	19	14	
20	67.5 (77.5)	26 (36)	4.5	8	17	10	22.5	20	5 to 50
25	71 (81)	29 (39)	5	8	17	10	22.5	20	

Note 1) (): Denotes the dimensions with auto switch.

Note 2) Applicable stroke available by the 5 mm interval.

Series MTS



Basic Style

Bore size (mm)	A	B	LC	DA	G	GA	GB	GC	GD	GE	GF
12	145	80.5	49.5	6	13.5	42.5	6	11	4	8	M5 x 0.8
16	149.5	83	50.5	8	15.5	42.5	7	13	5	10	M6 x 1.0
20	175	106.5	50.5	10	19.5	42.5	8.5	17	5	13	M8 x 1.25
25	187	114.5	51.5	12	21.5	42.5	9	19	6	17	M10 x 1.25
32	222.5	142.5	56	16	27.5	45	10.5	24	8	22	M14 x 1.5
40	240	155	59	20	32.5	45	11.5	27	11	27	M18 x 1.5

With End Lock

Bore size (mm)	A	B
12	163	98.5
16	165.5	99
20	191.5	123
25	201.5	129
32	238.5	158.5
40	258.5	173.5

CJ1

CJP

CJ2

CM2

CG1

MB

MB1

CA2

CS1

C76

C85

C95

CP95

NCM

NCA

D-

-X

20-

Data



Made to Order Common Specifications: -XC9: Adjustable Stroke Cylinder/ Adjustable Retraction Type

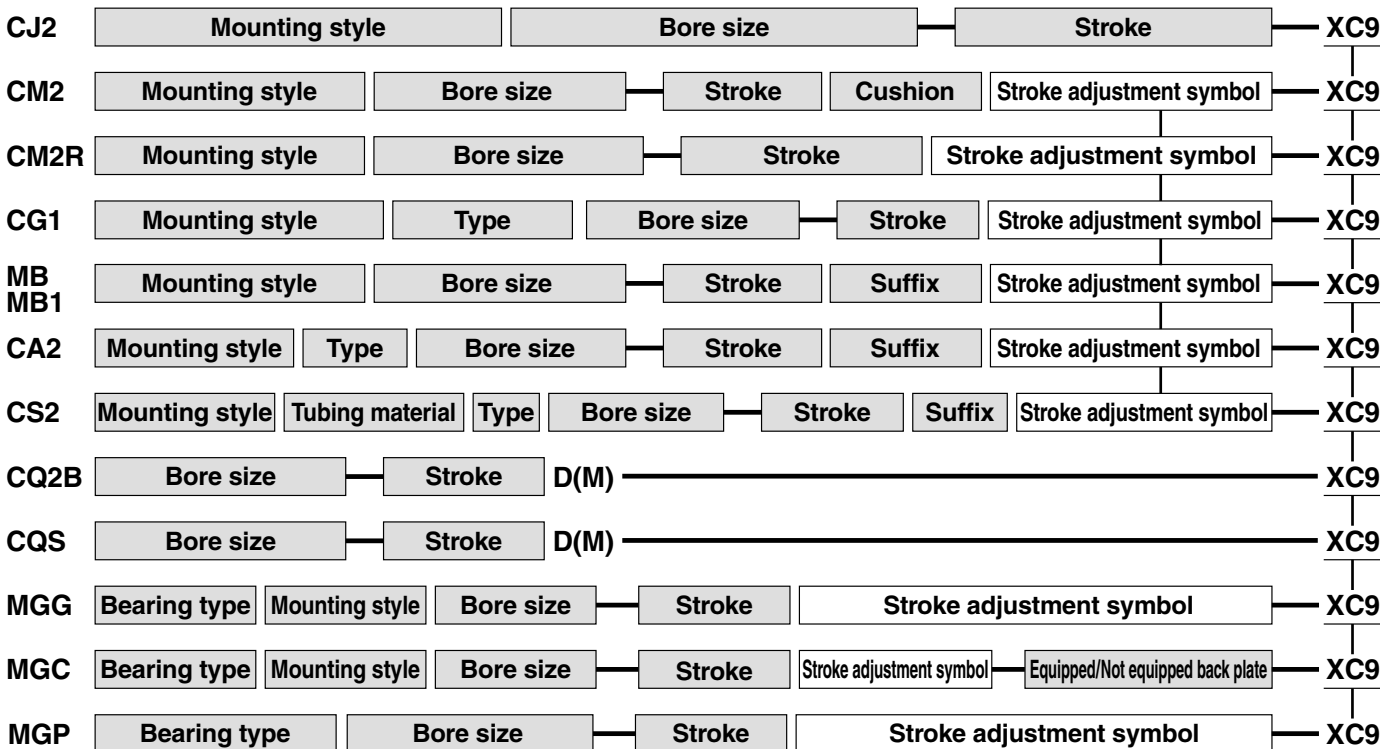
17 Adjustable Stroke Cylinder/Adjustable Retraction Type Symbol -XC9

The retract stroke of the cylinder can be adjusted by the adjusting bolt.

Applicable Series

Series	Description	Model	Action	Note	Vol. no. (for std model)
CJ2	Air cylinder	CJ2	Double acting, Single rod	Except with air cushion	6
CM2	Air cylinder	CM2	Double acting, Single rod		6
	Non-rotating rod	CM2K	Double acting, Single rod		
	Direct mount type	CM2R	Double acting, Single rod		
	Non-rotating rod/Direct mount type	CM2RK	Double acting, Single rod		
CG1	Air cylinder	CG1	Double acting, Single rod		6
	Non-rotating rod	CG1K	Double acting, Single rod	Except with air cushion	
	Direct mount type	CG1R	Double acting, Single rod	Except with air cushion	
MB	Air cylinder	MB	Double acting, Single rod		6
	Low friction	MB□Q	Double acting, Single rod		
	Non-rotating rod	MBK	Double acting, Single rod		
MB1	Air cylinder	MB1	Double acting, Single rod		6
CA2	Air cylinder	CA2	Double acting, Single rod		6
	Non-rotating rod	CA2K	Double acting, Single rod		
CS1	Air cylinder	CS1	Double acting, Single rod		6
CQS	Compact cylinder	CQS	Double acting, Single rod	Except with rubber bumper and with bracket	7
CQ2	Compact cylinder	CQ2	Double acting, Single rod	Except with rubber bumper and with bracket	7
	Non-rotating rod	CQ2K	Double acting, Single rod	Except with rubber bumper and with bracket	
MGP	Compact guide cylinder	MGP	Double acting		8
		MGPA	High precision type		
MGG	Guide cylinder	MGG	Standard type		8
MGC		MGC	Compact type		8

How to Order



Adjustable stroke cylinder/Adjustable retract type

(After adjusting stroke, both-side cushion style is changed into single side cushion style. CQ2 is without cushion.)

Made to Order Common Specifications: -XC9: Adjustable Stroke Cylinder/ Adjustable Retraction Type

17 Adjustable Stroke Cylinder/Adjustable Retraction Type

Specifications

Series	Stroke adjustment symbol	Stroke adjustment range (mm)
CJ2	—	0 to 15
CM2 CG1 MB MB1 CA2 CS1	A	0 to 25
	B	0 to 50

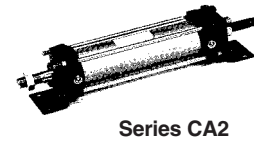
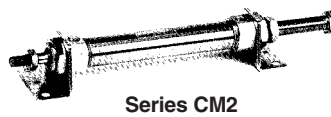
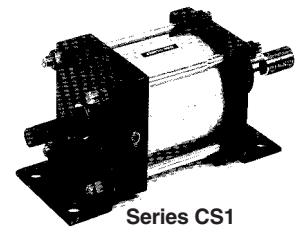
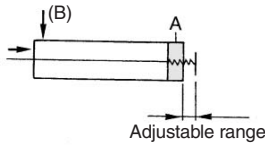
Note) Specifications other than above are the same as standard type.

Series	Stroke adjustment symbol	Stroke adjustment range (mm)
CQ2 CQS	—	0 to 10
MGG MGC	A	0 to 25
	B	0 to 50
MGP	A	0 to 10
	B	0 to 25

⚠ Caution Precautions

- When air is supplied to the cylinder, if the stroke adjusting bolt is loosened in excess of the allowable stroke adjustment amount, be aware that the stroke adjusting bolt could fly out or air could be discharged, which could injure personnel or damage the peripheral equipment.
- Adjust the stroke when the cylinder is not pressurized.
If it is adjusted in the pressurized state, the seal of the adjustment section could become deformed, leading to air leakage.

JIS Symbol

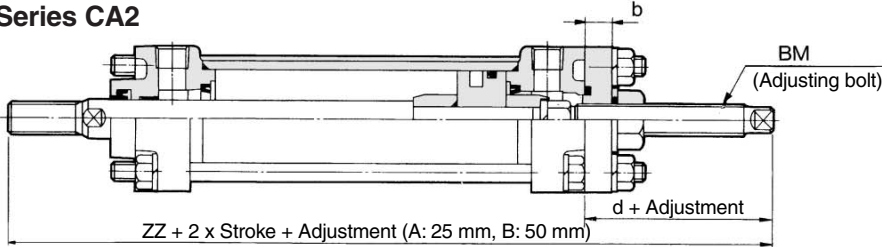


Made to Order Common Specifications: -XC9: Adjustable Stroke Cylinder/ Adjustable Retraction Type

17 Adjustable Stroke Cylinder/Adjustable Retraction Type

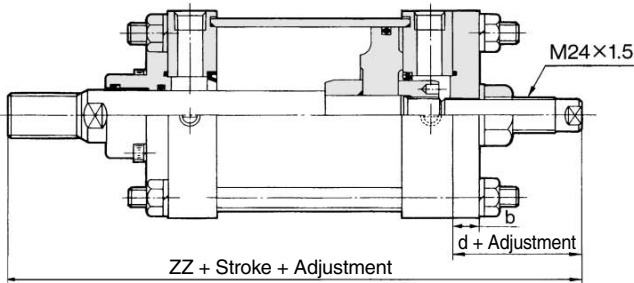
Dimensions (Dimensions other than below are the same as standard type.)

Series CA2



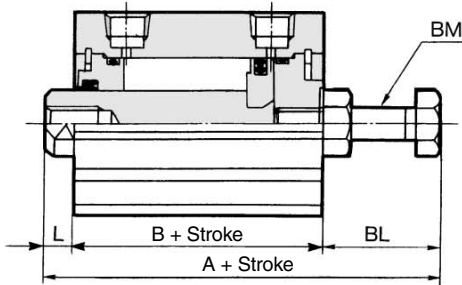
Bore size (mm)	BM	b	d	ZZ
40	M16 x 1.5	9	43	178
50	M16 x 1.5	11	44	192
63	M20 x 1.5	11	48	204
80	M24 x 1.5	15	59	246
100	M24 x 1.5	15	57	255

Series CS1



Bore size (mm)	b	d	ZZ
125	19	66	274
140	19	66	274
160	22	62	288

Series CQ2

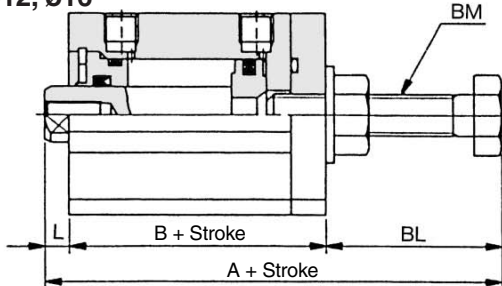


Bore size (mm)	A	B	L	BL	BM	Manufacturable stroke
12	52 (59.2)	25.2 (32.4)	3.5	23.3	M5 x 0.8	5 to 30
16	53 (63)	26 (36)	3.5	23.5	M6 x 1	
20	61 (73)	26 (38)	4.5	30.5	M8 x 1.25	5 to 50
25	63.5 (73.5)	29 (39)	5	29.5	M8 x 1.25	
32	65.5 (75.5)	30.5 (40.5)	7	28	M8 x 1.25	
40	84 (94)	40 (50)	7	37	M12 x 1.5	10 to 100
50	84.5 (94.5)	40.5 (50.5)	8	36	M12 x 1.5	
63	88.5 (98.5)	42 (52)	8	38.5	M16 x 1.5	
80	109.5 (119.5)	51 (61)	10	48.5	M20 x 1.5	
100	125 (135)	60.5 (70.5)	12	52.5	M24 x 1.5	

Note 1) (): Denotes the dimensions with auto switch.
Note 2) Applicable stroke available by the 5 mm interval.

Series CQS

ø12, ø16



Bore size (mm)	A	B	L	BL	BM	Manufacturable stroke
12	50.5 (54.5)	22 (27)	3.5	25 (29)	M5 x 0.8	5 to 30
16	51 (56)	22 (27)	3.5	25.5	M6 x 1	
20	61 (71)	26 (36)	4.5	30.5	M8 x 1.25	5 to 50
25	63.5 (73.5)	29 (39)	5	29.5	M8 x 1.25	

Note 1) (): Denotes the dimensions with auto switch.
Note 2) Applicable stroke available by the 5 mm interval.

ø20, ø25

