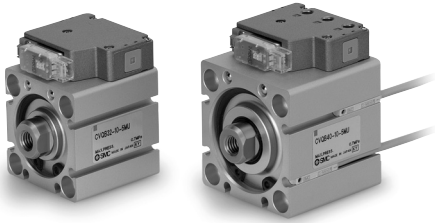


# Series CVQ



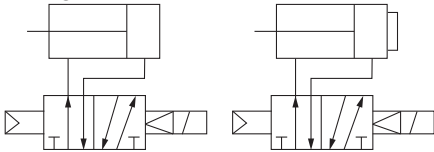
## ⚠ Caution

Do not separate the cylinder from the valve.

### JIS Symbol

Double acting:  
single rod

With boss in  
head end



## Standard Stroke

Bore size (mm)	Standard stroke (mm)
32*	5, 10, 15, 20, 25, 30, 35 40, 45, 50, 75, 100
40	5, 10, 15, 20, 25, 30, 35 40, 45, 50, 75, 100

\* The outline dimensions for 5 mm stroke will be the same as those for 10 mm stroke.

## Intermediate Stroke

Part no.	Refer to "How to Order" for standard model numbers (previous page).		
Description	Intermediate strokes by the 1 mm increment are available by using spacers with standard stroke cylinders.		
Stroke range (mm)	Bore size	32	40
	Stroke range	6 to 99	6 to 99
Applicable example	Part no.: CVQB32-47 A spacer 3 mm in width is installed in standard cylinder CVQB32-50. The outline dimensions will be the same as those for 50 mm stroke.		

## Mounting Bracket Part No.

Bore size (mm)	Foot Note)	Flange	Double clevis
32	CVQ-L032	CVQ-F032	CVQ-D032
40	CVQ-L040	CVQ-F040	CVQ-D040

Note) Order two foot brackets per cylinder.

\* Parts belonging to each bracket are as follows.

Foot, Flange: Body mounting screws

Double clevis: Clevis pin, C-type retaining ring for shaft, Body mounting screws

## Cylinder Specifications

Bore size	32	40
Action	Double acting, single rod	
Fluid	Air (Non-lube)	
Proof pressure	1.0 MPa	
Maximum operating pressure	0.7 MPa	
Minimum operating pressure	0.15 MPa	
Ambient and fluid temperature	-10 to 50°C (No freezing)	
Rod end thread tolerance	JIS Class 2	
Stroke tolerance	0 to +1.0 mm	
Mounting method	Through-hole / Both ends tapped	
Piston speed	50 to 500 mm/s	
Cushion	Rubber bumper	

## Valve Specifications

Type of actuation	2 position single
Manual override	Non-locking push type / Locking slotted type
Pilot exhaust	Main/Pilot valve common exhaust type
Mounting orientation	Unrestricted (based on cylinder mounting orientation)
Enclosure	Dustproof

## Solenoid Specifications

Electrical entry	M-type plug connector	
Coil rated voltage	DC	24/12 (V)
Allowable voltage fluctuation <sup>Note)</sup>	±10% of the rated voltage	
Power consumption	DC	0.35 (With light: 0.4) W
Surge voltage suppressor	Diode (Non-polar type: Varistor)	
Indicator light	LED	

Note) The S and Z types of surge voltage suppressor have an internal circuit allowing voltage drop, so use within the following allowable voltage fluctuation range.

S, Z type 24 VDC: -7% to +10%  
12 VDC: -4% to +10%

## Theoretical Output

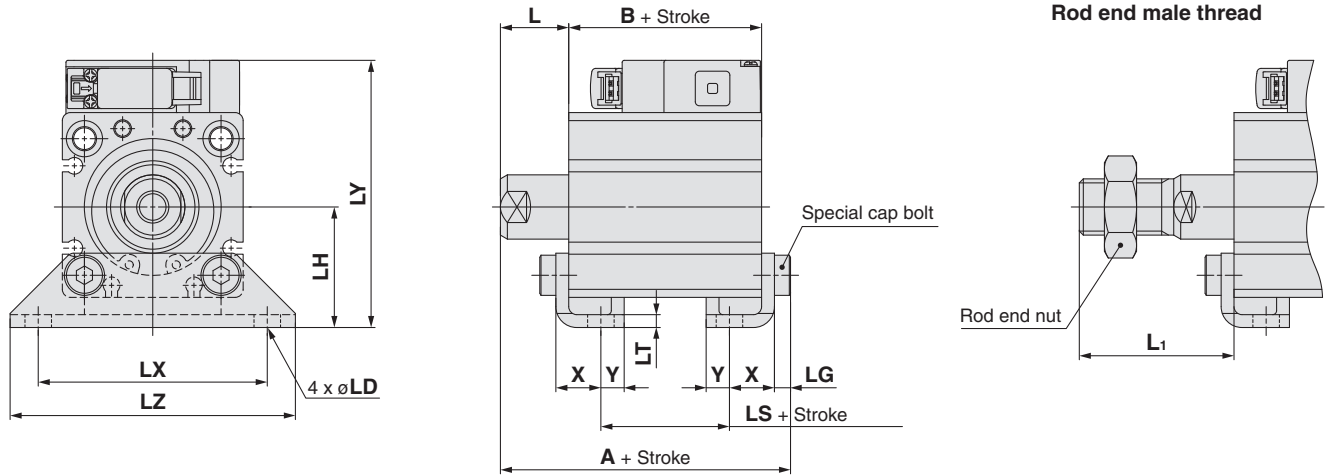


Unit: N

Bore size (mm)	Operating direction	Operating pressure (MPa)		
		0.3	0.5	0.7
32	IN	181	302	422
	OUT	241	402	563
40	IN	317	528	739
	OUT	377	628	880

**Dimensions:  $\phi 32, \phi 40$**

**Foot: CVQL**

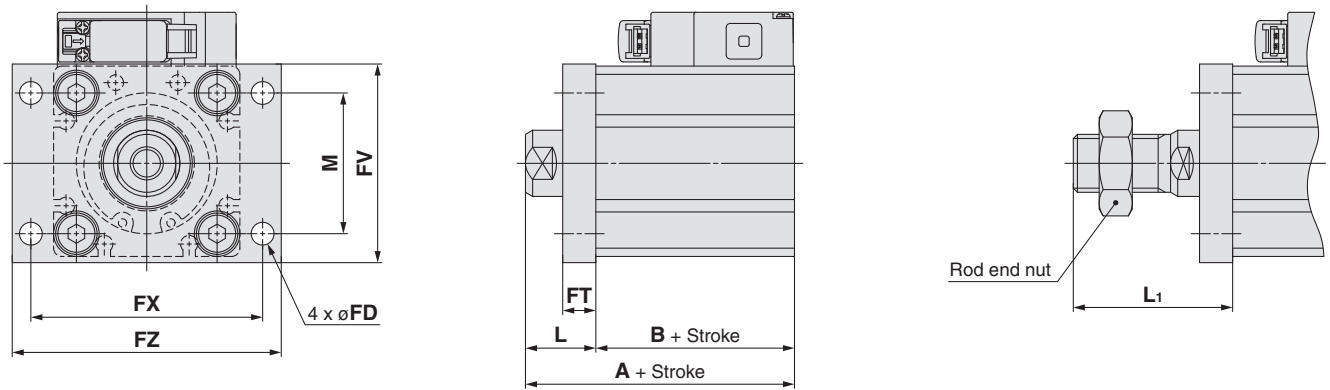


Bore size (mm)	Stroke range (mm)	A	B	LS	L	L <sub>1</sub>	LD	LG	LH	LT	LX	LY	LZ	X	Y
32	5 to 100	57.2 <small>Note</small>	33 <small>Note</small>	17 <small>Note</small>	17	38.5	6.6	4	30	3.2	57	66.5	71	11.2	5.8
40	5 to 100	63.7	39.5	23.5	17	38.5	6.6	4	33	3.2	64	74	78	11.2	7

Note) The dimensions (A + stroke), (B + stroke) and (LS + stroke) for 5 mm stroke will be the same as those for 10 mm stroke.

**Rod flange: CVQF**

**Rod end male thread**



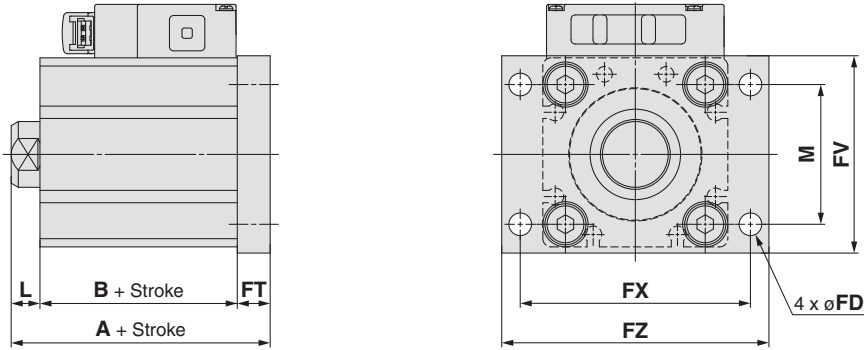
Bore size (mm)	Stroke range (mm)	A	B	FD	FT	FV	FX	FZ	L	L <sub>1</sub>	M
32	5 to 100	50 <small>Note</small>	33 <small>Note</small>	5.5	8	48	56	65	17	38.5	34
40	5 to 100	56.5	39.5	5.5	8	54	62	72	17	38.5	40

Note) The dimensions (A + stroke) and (B + stroke) for 5 mm stroke will be the same as those for 10 mm stroke.

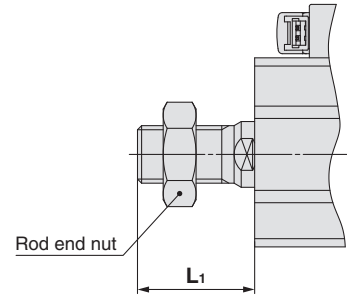
# Series CVQ

**Dimensions:  $\phi 32, \phi 40$**

**Head flange: CVQG**



**Rod end male thread**

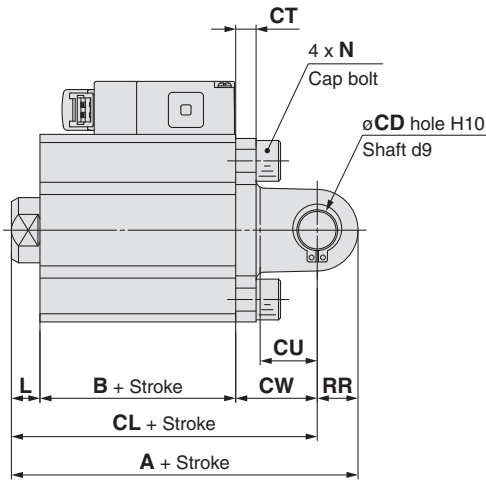


(mm)

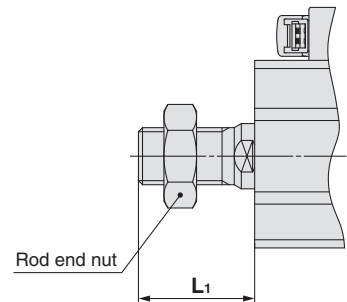
Bore size (mm)	Stroke range (mm)	A	B	FD	FT	FV	FX	FZ	L	L <sub>1</sub>	M
32	5 to 100	48 <small>Note</small>	33 <small>Note</small>	5.5	8	48	56	65	7	28.5	34
40	5 to 100	54.5	39.5	5.5	8	54	62	72	7	28.5	40

Note) The dimensions (A + stroke) and (B + stroke) for 5 mm stroke will be the same as those for 10 mm stroke.

**Double clevis: CVQD**



**Rod end male thread**



(mm)

Bore size (mm)	Stroke range (mm)	A	B	CL	CD	CT	CU	CW	CX	CZ	L	L <sub>1</sub>	N	RR
32	5 to 100	70 <small>Note</small>	33 <small>Note</small>	60	10	5	14	20	18	36	7	28.5	M6 x 1	10
40	5 to 100	78.5	39.5	68.5	10	6	14	22	18	36	7	28.5	M6 x 1	10

Note) The dimensions (A + stroke), (B + stroke) and (CL + stroke) for 5 mm stroke will be the same as those for 10 mm stroke.