

Series 12-CY3B Magnetic rodless cylinder

ø15, ø20, ø25, ø32, ø40

How to Order



Clean series

12 — Special treatment on sliding part

Bore size (mm)

12 - CY3B

15

300

Cylinder stroke (mm)

Port type

Symbol	Type	Bore size
Nil	M5 x 0.8	15
	Rc	
TN	NPT	20, 25, 32, 40
TF	G	

Model

Model	Bore size (mm)	Port size	Lubrication	Standard stroke (mm)	Maximum manufacturable stroke	Cushion	
						Rubber	Air
12-CY3B15	15	M5 x 0.8	Non-lube	50, 100, 150, 200, 250, 300, 350, 400, 450, 500	1000	○ (Both sides)	—
12-CY3B20	20	Rc1/8		100, 150, 200, 250, 300, 350, 400, 450, 500, 600, 700, 800	1300		
12-CY3B25	25	NPT1/8					
12-CY3B32	32	G1/8					
12-CY3B40	40	Rc1/4 NPT1/4 G1/4		100, 150, 200, 250, 300, 350, 400, 450, 500, 600, 700, 800, 900, 1000			

Note 1) Stroke exceeding the standard stroke but below the maximum possible stroke is available for special order upon request.

Note 2) Intermediate stroke is available by the 1 mm interval.

Note 3) Please contact SMC if the maximum manufacturable stroke is exceeded.

Specifications

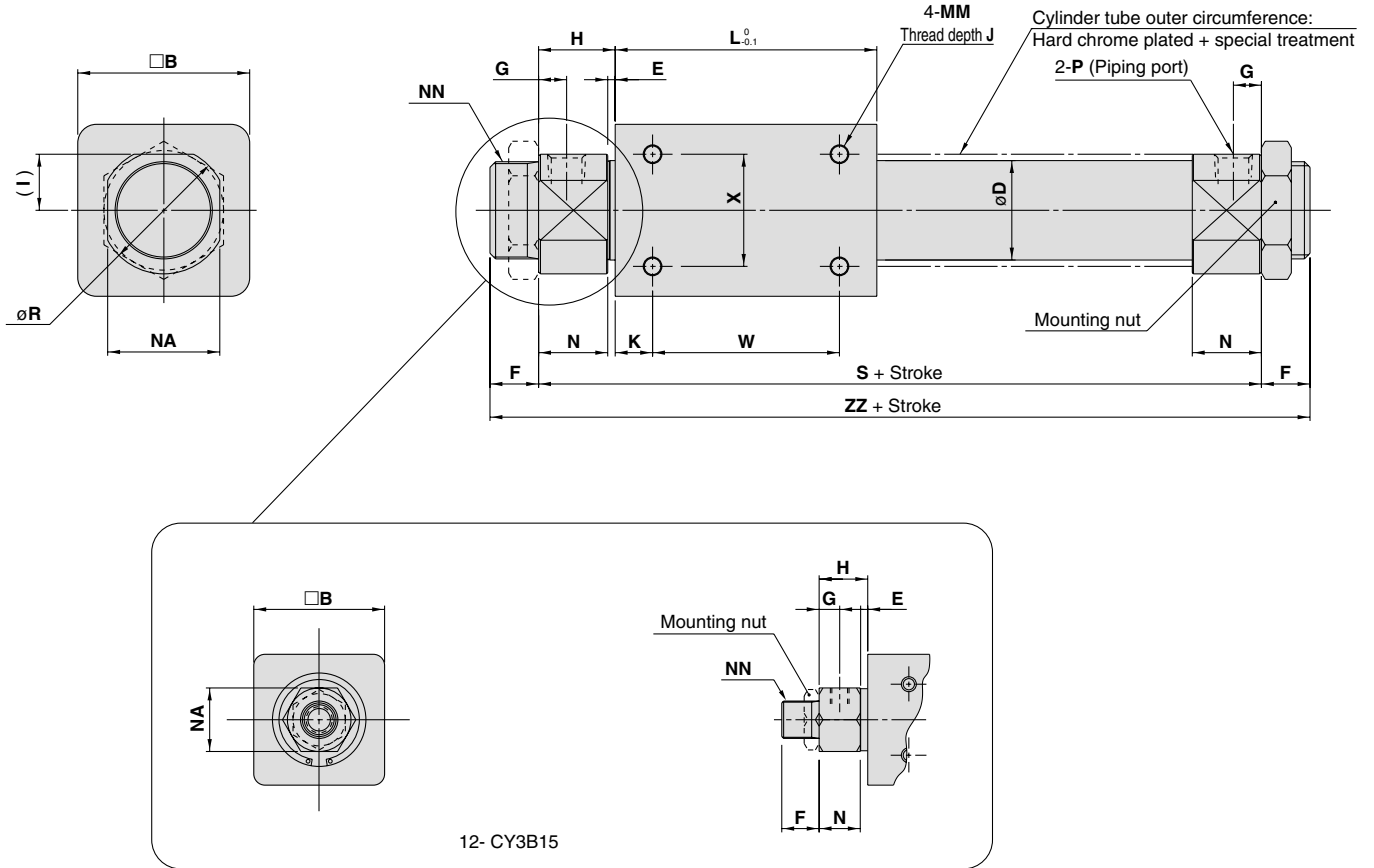
Item	Bore size (mm)
	15/20/25/32/40
Proof pressure	1.05MPa
Max. operating pressure	0.7MPa
Min. operating pressure	ø15, ø20: 0.16MPa, ø25: 0.15MPa, ø32: 0.14MPa, ø40: 0.12MPa
Ambient and fluid temperature	-10°C to 60°C (With no freezing)
Piston speed	50 to 400 mm/s
Stroke length tolerance	0 to 250 st: $^{+1.0}_0$, 251 to 1000 st: $^{+1.4}_0$, 1001 st to: $^{+1.8}_0$
Mounting bracket	2 mounting nuts (Standard)
Grease	Fluorine grease
Particle generation grade (Refer to front matter pages 13 to 22 for details.)	Grade 3

Magnetic holding force (N)

Bore size (mm)	15	20	25	32	40
Holding force	137	231	363	588	922

Dimensions

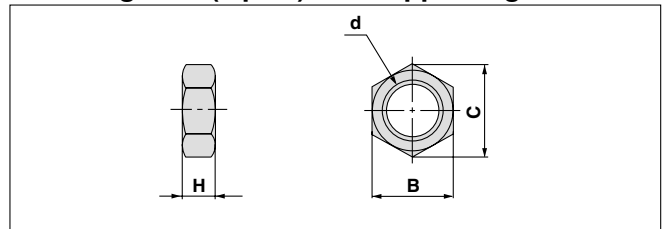
12-CY3B15 to 40



Model	B	D	E	F	G	H	I	J	K	L	MM	N	NA	NN	R	S	W	X	ZZ
12-CY3B15	35	16.6	2	10	5.5	13	—	6	11	57	M4 x 0.7	11	17	M10 x 1	—	83	35	19	103
12-CY3B20	36	21.6	2	13	7.5	20	12	6	8	66	M4 x 0.7	18	24	M20 x 1.5	28	106	50	25	132
12-CY3B25	46	26.4	2	13	7.5	20.5	15	8	10	70	M5 x 0.8	18.5	30	M26 x 1.5	34	111	50	30	137
12-CY3B32	60	33.6	2	16	8	22	18	8	15	80	M6 x 1	20	36	M26 x 1.5	40	124	50	40	156
12-CY3B40	70	41.6	3	16	11	29	23	10	16	92	M6 x 1	26	46	M32 x 2	50	150	60	40	182

Model	P (Piping port)		
	Nil	TN	TF
12-CY3B15	M5 x 0.8	—	—
12-CY3B20	Rc1/8	NPT1/8	G1/8
12-CY3B25	Rc1/8	NPT1/8	G1/8
12-CY3B32	Rc1/8	NPT1/8	G1/8
12-CY3B40	Rc1/4	NPT1/4	G1/4

Mounting nuts (2 pcs.) are shipped together.



Part number	Applicable bore size (mm)	d	H	B	C
SNJ-016B	15	M10 x 1.0	4	14	16.2
SN-020B	20	M20 x 1.5	8	26	30
SN-032B	25, 32	M26 x 1.5	8	32	37
SN-040B	40	M32 x 2.0	10	41	47.3



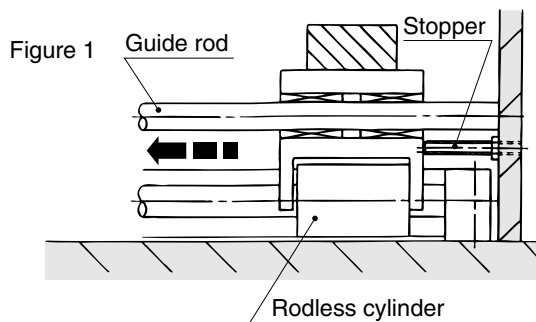
Specific Product Precautions

Be sure to read before handling.

12-CY1B/3B/1R/3R/REA. Common Precautions

⚠ Caution

- 1. Use caution to the rotation of the external slider.**
Rotation should be controlled by connecting the external slider to another shaft (linear guide, etc.).
- 2. Do not operate with the magnetic coupling out of position.**
If the magnetic coupling is out of position, push the external slider by hand (or the position slider with air pressure) back to the proper position at the stroke end.
- 3. Do not apply a lateral load to the external slider.**
When a load is mounted directly to the cylinder, variations in the alignment of each shaft center cannot be offset, which results in the generation of a lateral load that can cause malfunction. The cylinder should be operated using a connection method which allows for shaft alignment variations and deflection due to the cylinder's own weight. A drawing of a recommended mounting method is shown in Figure 1.



- 4. When used for vertical operation, use caution regarding allowable load.**
When used for vertical operation, use caution as there is a possibility of dropping due to separation of the magnetic coupling if a load greater than the allowable value is added. When used for vertical operation, contact SMC for the operating conditions (pressure, load, speed, stroke, frequency, etc.). Refer to Best Pneumatics vol.8 (CY1 series model selection method) for details.
- 5. Do not scratch or gouge the external surface of the cylinder.**
It can damage the wear ring, increase particle generation and cause malfunction.
- 6. Do not use the cylinder with its body fixed.**
Be sure to secure both head covers (or end covers in case of CY1R) before using the cylinder. Operation of the cylinder with its body fixed will damage the wear ring, resulting in increase of particle generation or malfunction.

12- CY1R/3R

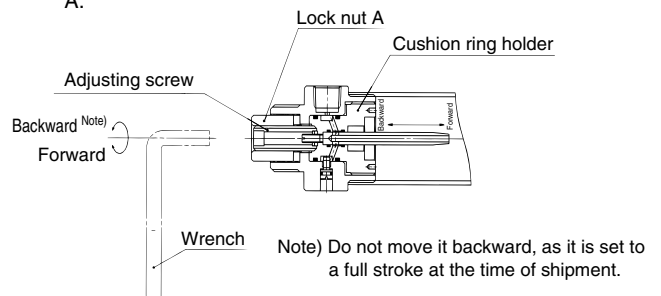
⚠ Caution

- 1. Pay attention to the cylinder mounting surface.**
If there is any clearance between the end covers on both ends and the mounting surfaces, adjust the shim with a spacer for secure installation.

12- REA

⚠ Caution

- 1. Stroke adjustment is provided for position adjustment.**
This mechanism is not intended for adjustment of the cushion effect (smooth start-up, soft stop). This mechanism is for matching of the cylinder's stroke end position to the mechanical stopper, etc., of a machine.
- 2. Stroke adjustment should be conducted with no pressure supply.**
To ensure safety, stroke adjustment should be conducted with no pressure supply. Before adjustment is performed, shut off the drive air, release any residual pressure and implement measures to prevent dropping of workpieces, etc. Adjustment procedure is shown below.
 - 1) Insert a wrench into the hexagon hole of the adjustment screw to loosen lock nut A.
 - 2) Rotate the adjustment screw to right and left and move the cushion ring holder (stroke end) forward and backward to align the position with that of the external stopper.
 - 3) After the stroke end adjustment is completed, retighten lock nut A.



Adjusting screw width across flats		Lock nut A tightening torque	
Model	Width across flats (mm)	Model	Tightening torque (N·m)
12-REA25	5	12-REA25	1.2
12-REA32	5	12-REA32	1.2
12-REA40	6	12-REA40	2.1
12-REA50	8	12-REA50	3.4
12-REA63	8	12-REA63	3.4

- 3. Throttle type speed controllers are recommended for speed adjustment, as shown in the table below.**

Recommended speed controller

Model	Model		
	Elbow type	Straight type	In-line type
12-REA25	10-AS2201F-01-06-X214	10-AS2301F-01-06-X214	10-AS2001F-06-X214
12-REA32	10-AS2201F-02-06-X214	10-AS2301F-02-06-X214	10-AS2001F-06-X214
12-REA40	10-AS2201F-02-06-X214	10-AS2301F-02-06-X214	10-AS2001F-06-X214
12-REA50	10-AS3201F-02-08-X214	10-AS3301F-02-08-X214	10-AS3001F-08-X214
12-REA63	10-AS3201F-02-08-X214	10-AS3301F-02-08-X214	10-AS3001F-08-X214

Although speed adjustment is possible with meter-in and meter-out speed controllers, smooth start-up and soft stop may not be achieved.

In case the mounting orientation is not horizontal, a system with a pressure regulating circuit on the lower side is recommended. (It is also effective to shorten start-up delay in rising and for energy conservation.)

- 4. Cushion adjustment is not necessary.**

The fixed cushion mechanism does not require the conventional cushion adjustment.

12-CY1B/3B

12- CY1R/3R

⚠ Warning

1. Use caution as the attractive power of the magnets is very strong.

When removing the external slider and piston slider from the cylinder tube for maintenance, etc., handle with caution, since the magnets installed in each slider have a very strong attractive force.

⚠ Caution

1. Use caution when taking off the external slider, as the piston slider will be directly attracted to it.

When removing the external slider or piston slider from the cylinder tube, first force the sliders out of their magnetically coupled positions, and then remove them individually when there is no longer any holding force. If they are removed while still magnetically coupled, they will be directly attracted to one another and will not come apart.

2. Use caution to the direction of the external slider and the piston slider.

Since the external slider and piston slider are directional for $\phi 6$, $\phi 10$ and holding type L, refer to the figures below when performing disassembly or maintenance. Put the external slider and piston slider together, and insert the piston slider into the cylinder tube so that they will have the correct positional relationship as shown in Fig. (2). If they align as shown in Fig. (3), insert the piston slider after turning it around 180° .

If the direction is not correct, it will be impossible to obtain the specified holding force.

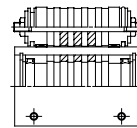


Figure 2. Correct positioning

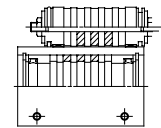


Figure 3. Positioning in incorrect direction

Example : $\phi 20$ to $\phi 63$ with L type holding force

3. Do not disassemble the magnetic components (piston slider and external slider).

This can cause a loss of holding force and malfunction.

4. Since it is possible to change the magnetic holding force (from H type to L type), please contact SMC if this is necessary.

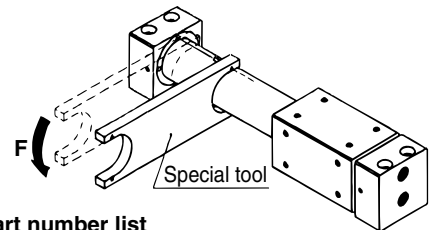
5. When disassembling to replace the seals and wear ring, refer to the separate disassembly instructions.

⚠ Caution

6. Apply additional tightening when remounting the head cover after disassembly.

When disassembling, hold the wrench flat section of one head cover with a vice, and remove the other cover using a spanner or adjustable angle wrench on its wrench flat section. When retightening, first coat with Loctite (No. 542 red) and retighten 3° to 5° past the original position prior to removal.

6. Special tools are necessary for disassembly.



Special tool part number list

Part no.	Applicable bore size (mm)
CYRZ-V	6, 10, 15, 20
CYRZ-W	25, 32, 40
CYRZ-X	50
CYRZ-Y	63

12- REA

⚠ Warning

1. Do not disassemble the product because it may damage the air cushion mechanism.

Contact SMC when disassembly or maintenance is necessary .

Air cylinder

Rotary actuator

Air gripper

Directional control valve

Flow control equipment

Filter, Pressure control equipment

Fittings & Tubing

Air preparation equipment

Pressure switch

Clean gas filter

Series 12-CY3R Magnetic rodless cylinder (Direct mount type)

ø15, ø20, ø25, ø32, ø40

How to Order



Clean series
12 — Special treatment on sliding part

Bore size (mm)

Port thread type

Symbol	Type	Bore size
Nil	M5 x 0.8	15
	Rc	
TN	NPT	20, 25, 32, 40
TF	G	

12 - CY3R 25 [] - 300 N

Standard stroke |

N — Without switch rail |

* Switch rail is not available for 12- series.

Model

Model	Bore size (mm)	Port size	Lubrication	Standard stroke (mm)	Maximum manufacturable stroke (mm)	Cushion	
						Rubber	Air
12-CY3R15	15	M5 x 0.8	Non-lube	50, 100, 150, 200, 250, 300, 350, 400, 450, 500	1000	○ (Both sides)	—
12-CY3R20	20	Rc1/8		100, 150, 200, 250, 300, 350, 400, 450, 500, 600, 700, 800	1300		
12-CY3R25	25	NPT1/8					
12-CY3R32	32	G1/8					
12-CY3R40	40	Rc1/4 NPT1/4 G1/4					

Note 1) Stroke exceeding the standard stroke will be available upon request as special product.

Note 2) Intermediate stroke is available by the 1 mm interval.

Note 3) Please contact SMC if the maximum manufacturable stroke is exceeded.

Specifications

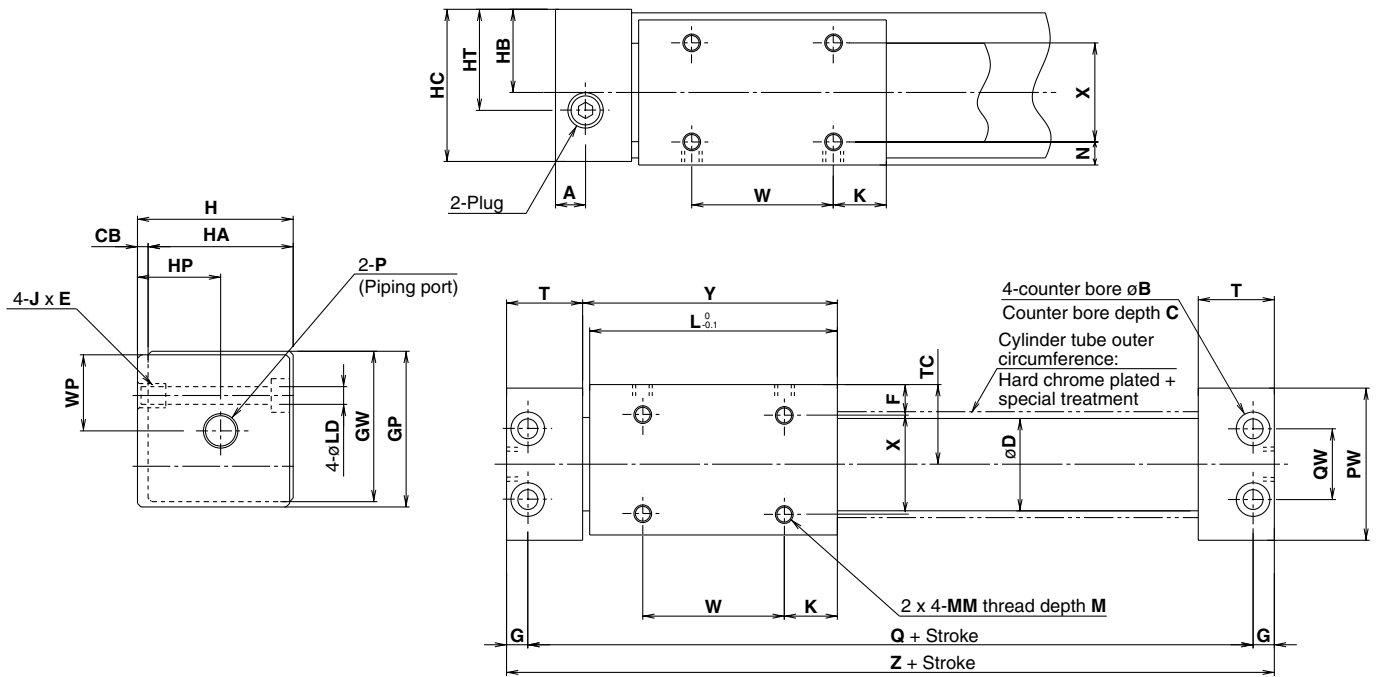
Item	Bore size (mm)
	15/20/25/32/40
Proof pressure	1.05MPa
Max. operating pressure	0.7MPa
Min. operating pressure	ø15, ø20: 0.16MPa, ø25: 0.15MPa, ø32: 0.14MPa, ø40: 0.12MPa
Ambient and fluid temperature	-10°C to 60°C (With no freezing)
Piston speed	50 to 400 mm/s
Stroke length tolerance	0 to 250 st: $^{+1.0}_0$, 251 to 1000 st: $^{+1.4}_0$, 1001 st to $^{+1.8}_0$
Mounting	Direct mount type
Grease	Fluorine grease
Particle generation grade (Refer to front matter pages 13 to 22 for details.)	Grade 3

Magnetic holding force (N)

Bore size (mm)	15	20	25	32	40
Holding force	137	231	363	588	922

Dimensions

12-CY3R15 to 40



(mm)

Model	A	B	C	CB	D	F	G	GP	GW	H	HA	HB	HC	HP	HT	J x E	K
12-CY3R15	10.5	8	4.2	2	16.6	8	5	33	31.5	32	30	17	31	17	17	M5 x 0.8 x 7	14
12-CY3R20	9	9.5	5.2	3	21.6	9	6	39	37.5	39	36	21	38	24	24	M6 x 1 x 8	11
12-CY3R25	8.5	9.5	5.2	3	26.4	8.5	6	44	42.5	44	41	23.5	43	23.5	23.5	M6 x 1 x 8	15
12-CY3R32	10.5	11	6.5	3	33.6	10.5	7	55	53.5	55	52	29	54	29	29	M8 x 1.25 x 10	13
12-CY3R40	10	11	6.5	5	41.6	13	7	65	63.5	67	62	36	66	36	36	M8 x 1.25 x 10	15

Model	L	LD	M	MM	N	PW	Q	QW	T	TC	W	WP	X	Y	Z
12-CY3R15	53	4.3	5	M4 x 0.7	6	32	84	18	19	17	25	16	18	54.5	94
12-CY3R20	62	5.6	5	M4 x 0.7	7	38	95	17	20.5	20	40	19	22	64	107
12-CY3R25	70	5.6	6	M5 x 0.8	6.5	43	105	20	21.5	22.5	40	21.5	28	72	117
12-CY3R32	76	7	7	M6 x 1	8.5	54	116	26	24	28	50	27	35	79	130
12-CY3R40	90	7	8	M6 x 1	11	64	134	34	26	33	60	32	40	93	148



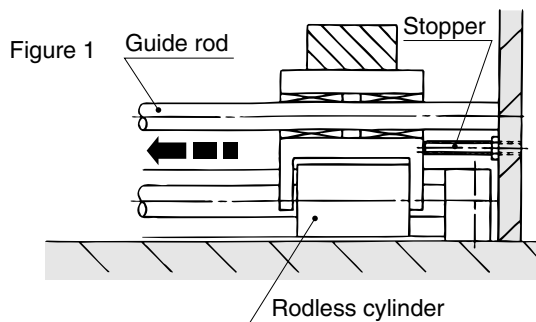
Specific Product Precautions

Be sure to read before handling.

12-CY1B/3B/1R/3R/REA. Common Precautions

⚠ Caution

- 1. Use caution to the rotation of the external slider.**
Rotation should be controlled by connecting the external slider to another shaft (linear guide, etc.).
- 2. Do not operate with the magnetic coupling out of position.**
If the magnetic coupling is out of position, push the external slider by hand (or the position slider with air pressure) back to the proper position at the stroke end.
- 3. Do not apply a lateral load to the external slider.**
When a load is mounted directly to the cylinder, variations in the alignment of each shaft center cannot be offset, which results in the generation of a lateral load that can cause malfunction. The cylinder should be operated using a connection method which allows for shaft alignment variations and deflection due to the cylinder's own weight. A drawing of a recommended mounting method is shown in Figure 1.



- 4. When used for vertical operation, use caution regarding allowable load.**
When used for vertical operation, use caution as there is a possibility of dropping due to separation of the magnetic coupling if a load greater than the allowable value is added. When used for vertical operation, contact SMC for the operating conditions (pressure, load, speed, stroke, frequency, etc.). Refer to Best Pneumatics vol.8 (CY1 series model selection method) for details.
- 5. Do not scratch or gouge the external surface of the cylinder.**
It can damage the wear ring, increase particle generation and cause malfunction.
- 6. Do not use the cylinder with its body fixed.**
Be sure to secure both head covers (or end covers in case of CY1R) before using the cylinder. Operation of the cylinder with its body fixed will damage the wear ring, resulting in increase of particle generation or malfunction.

12- CY1R/3R

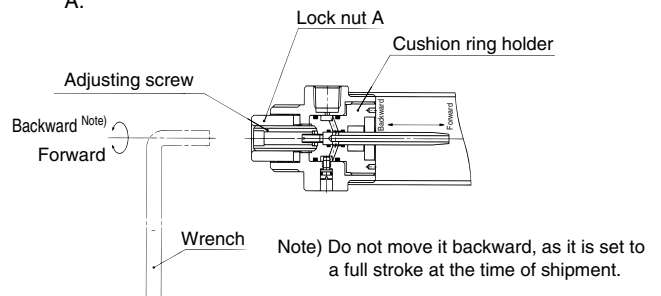
⚠ Caution

- 1. Pay attention to the cylinder mounting surface.**
If there is any clearance between the end covers on both ends and the mounting surfaces, adjust the shim with a spacer for secure installation.

12- REA

⚠ Caution

- 1. Stroke adjustment is provided for position adjustment.**
This mechanism is not intended for adjustment of the cushion effect (smooth start-up, soft stop). This mechanism is for matching of the cylinder's stroke end position to the mechanical stopper, etc., of a machine.
- 2. Stroke adjustment should be conducted with no pressure supply.**
To ensure safety, stroke adjustment should be conducted with no pressure supply. Before adjustment is performed, shut off the drive air, release any residual pressure and implement measures to prevent dropping of workpieces, etc. Adjustment procedure is shown below.
 - 1) Insert a wrench into the hexagon hole of the adjustment screw to loosen lock nut A.
 - 2) Rotate the adjustment screw to right and left and move the cushion ring holder (stroke end) forward and backward to align the position with that of the external stopper.
 - 3) After the stroke end adjustment is completed, retighten lock nut A.



•Adjusting screw width across flats

Model	Width across flats (mm)
12-REA25	5
12-REA32	5
12-REA40	6
12-REA50	8
12-REA63	8

•Lock nut A tightening torque

Model	Tightening torque (N·m)
12-REA25	1.2
12-REA32	1.2
12-REA40	2.1
12-REA50	3.4
12-REA63	3.4

- 3. Throttle type speed controllers are recommended for speed adjustment, as shown in the table below.**

•Recommended speed controller

Model	Model		
	Elbow type	Straight type	In-line type
12-REA25	10-AS2201F-01-06-X214	10-AS2301F-01-06-X214	10-AS2001F-06-X214
12-REA32	10-AS2201F-02-06-X214	10-AS2301F-02-06-X214	10-AS2001F-06-X214
12-REA40	10-AS2201F-02-06-X214	10-AS2301F-02-06-X214	10-AS2001F-06-X214
12-REA50	10-AS3201F-02-08-X214	10-AS3301F-02-08-X214	10-AS3001F-08-X214
12-REA63	10-AS3201F-02-08-X214	10-AS3301F-02-08-X214	10-AS3001F-08-X214

Although speed adjustment is possible with meter-in and meter-out speed controllers, smooth start-up and soft stop may not be achieved.

In case the mounting orientation is not horizontal, a system with a pressure regulating circuit on the lower side is recommended. (It is also effective to shorten start-up delay in rising and for energy conservation.)

- 4. Cushion adjustment is not necessary.**

The fixed cushion mechanism does not require the conventional cushion adjustment.

12-CY1B/3B

12- CY1R/3R

⚠ Warning

1. Use caution as the attractive power of the magnets is very strong.

When removing the external slider and piston slider from the cylinder tube for maintenance, etc., handle with caution, since the magnets installed in each slider have a very strong attractive force.

⚠ Caution

1. Use caution when taking off the external slider, as the piston slider will be directly attracted to it.

When removing the external slider or piston slider from the cylinder tube, first force the sliders out of their magnetically coupled positions, and then remove them individually when there is no longer any holding force. If they are removed while still magnetically coupled, they will be directly attracted to one another and will not come apart.

2. Use caution to the direction of the external slider and the piston slider.

Since the external slider and piston slider are directional for $\phi 6$, $\phi 10$ and holding type L, refer to the figures below when performing disassembly or maintenance. Put the external slider and piston slider together, and insert the piston slider into the cylinder tube so that they will have the correct positional relationship as shown in Fig. (2). If they align as shown in Fig. (3), insert the piston slider after turning it around 180° .

If the direction is not correct, it will be impossible to obtain the specified holding force.

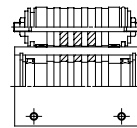


Figure 2. Correct positioning

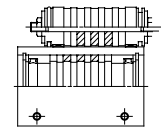


Figure 3. Positioning in incorrect direction

Example : $\phi 20$ to $\phi 63$ with L type holding force

3. Do not disassemble the magnetic components (piston slider and external slider).

This can cause a loss of holding force and malfunction.

4. Since it is possible to change the magnetic holding force (from H type to L type), please contact SMC if this is necessary.

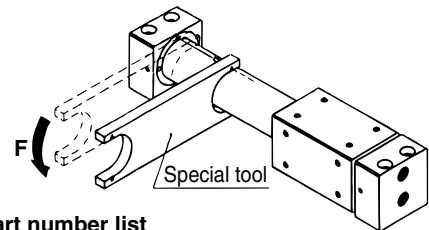
5. When disassembling to replace the seals and wear ring, refer to the separate disassembly instructions.

⚠ Caution

6. Apply additional tightening when remounting the head cover after disassembly.

When disassembling, hold the wrench flat section of one head cover with a vice, and remove the other cover using a spanner or adjustable angle wrench on its wrench flat section. When retightening, first coat with Loctite (No. 542 red) and retighten 3° to 5° past the original position prior to removal.

6. Special tools are necessary for disassembly.



Special tool part number list

Part no.	Applicable bore size (mm)
CYRZ-V	6, 10, 15, 20
CYRZ-W	25, 32, 40
CYRZ-X	50
CYRZ-Y	63

12- REA

⚠ Warning

1. Do not disassemble the product because it may damage the air cushion mechanism.

Contact SMC when disassembly or maintenance is necessary .

Air cylinder

Rotary actuator

Air gripper

Directional control valve

Flow control equipment

Filter, Pressure control equipment

Fittings & Tubing

Air preparation equipment

Pressure switch

Clean gas filter