

Fieldbus System for Distributed I/O



- **Dual Port EtherNet/IP™**
- **Gateway controls up to 8 Valve Manifolds and 8 Input blocks**
- **Controls up to 128 Inputs and 128 Outputs**
- **Supports QuickConnect™ and Device Level Ring (DLR) Protocol**
- **IP65 Protection Rating**
- **Web Diagnostics**
- **Simple installation setup**

EX500 GEN2

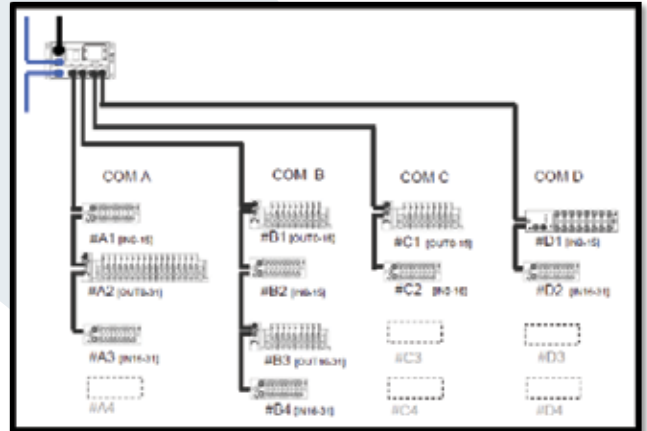


EX500-GEN2

- Dual Port EtherNet/IP™
- DLR and QuickConnect™ compatible
- Simple to install and setup
- IP65 protection rating
- 4 Network Branches (32IN/32OUT per branch)
- Max Branch Length: 20 m

The new EX500 Gateway is a fieldbus solution for distributed I/O system capable of 128 outputs and 128 inputs that is connected to the gateway unit through 4 network branches. The gateway has two M12 Ethernet connections to support daisy chain and ring topology configurations. Fixed data mapping means simple installation and setup to get your machine up and running. I/O information and diagnostic data can be quickly accessed through embedded web interface.

Simple Plug & Play configuration of devices by fixed memory map

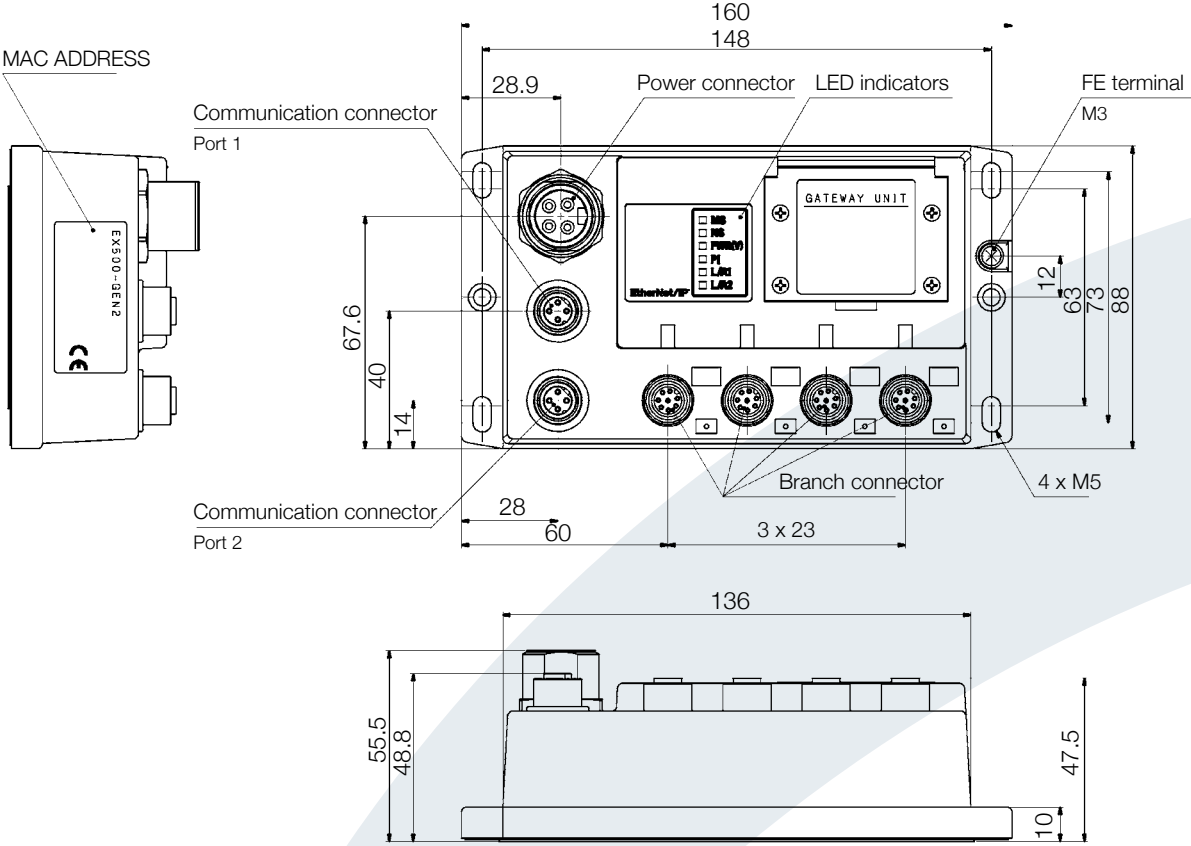


Web Diagnostics

Branch COM Diagnostics

I/O Status

Product Dimension

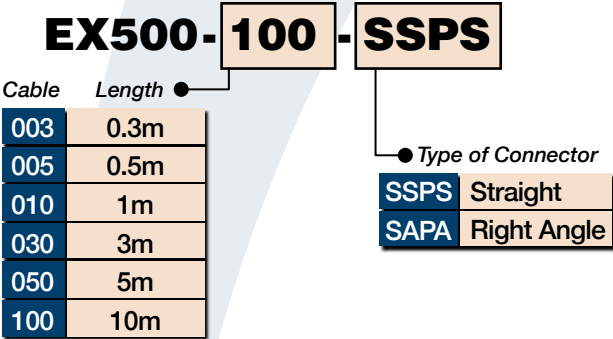


Power Supply Cable

Part Number	Description
PCA-1415999	AUX 7/8" straight 2m cable
PCA-1415996	AUX 7/8" straight 6m cable
PCA-1416000	AUX 7/8" right angle 2m cable
PCA-1415997	AUX 7/8" right angle 6m cable

EtherNet/IP™ Specifications	
Bus Connection	2 x M12 Socket, D-coded, 4 Pin
Communication Speed	10/100 Mbps
IP Addressing	DHCP/DIP Switch
Function	Ring Topology (DLR) QuickConnect™ Web Server
Power Connector	7/8" 4-Pin Plug

Branch Cable

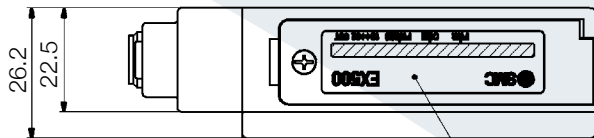


EX500 S103

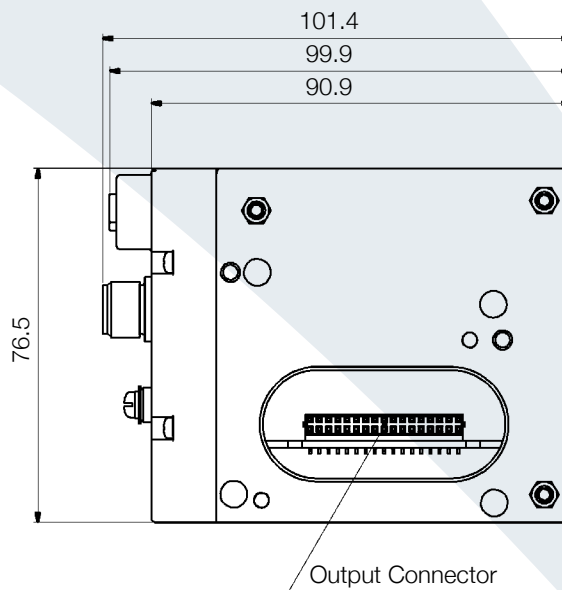
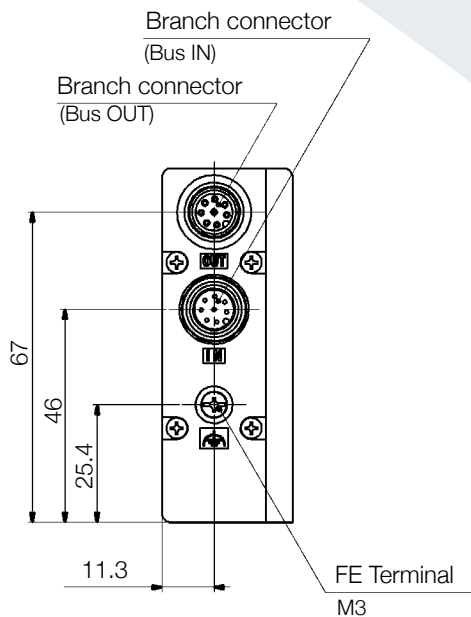
- **Selectable 16 or 32 output by internal switch**
- **Plug and Play Connection with Gateway**
- **IP67 Protection Rating**
- **Max Solenoid Power: 1.0 A/unit**
- **Short Circuit Protection**
- **Compatible with SMC valve series SY, VQC, SV, and S0700**



EX500-S103



LED indicators



Output Connector

Accessories

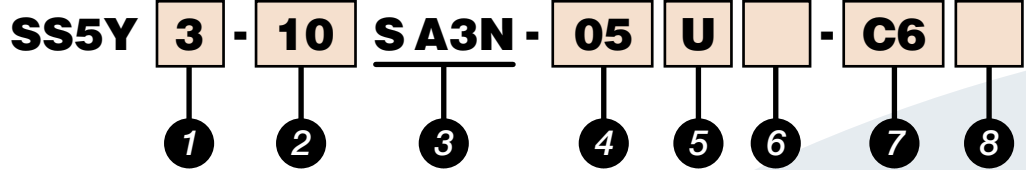
Part Number	Description
EX500-ACY01-S	Y-Connector for separate power of valve
EX500-ZMA1	DIN Rail mounting hardware for valve interface

How to Order for Valve Manifold

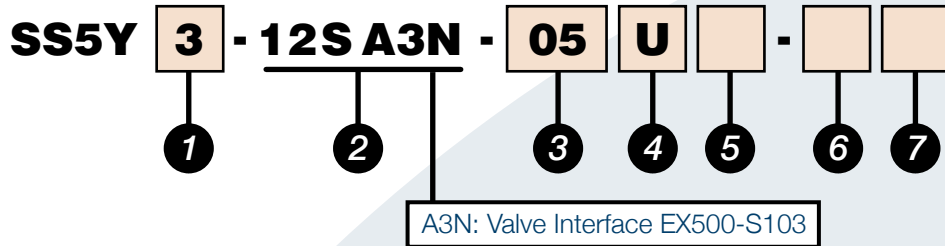
SY Series

(Please refer to Best Pneumatics 1-1 Page 206 for full how to order)

Side/Bottom Ported



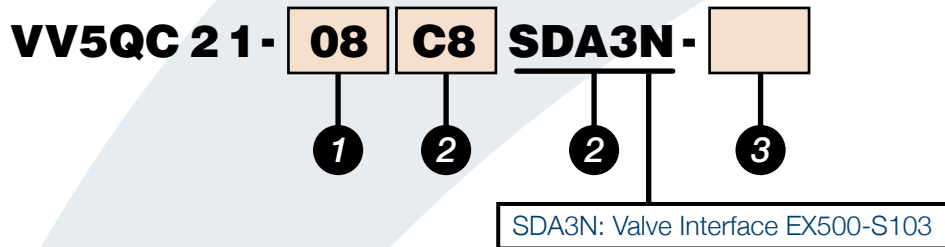
Top Ported



VQC Series

(Please refer to Best Pneumatics 1-1 Page 1174 (VQC1/2000) & 1220 (VQC4000) for full how to order)

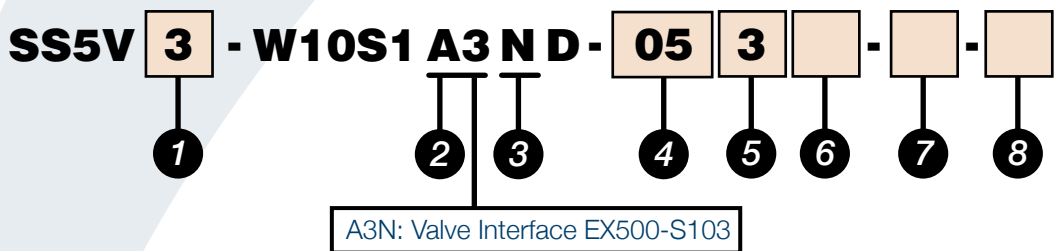
VQC1000/2000/4000



SV Series

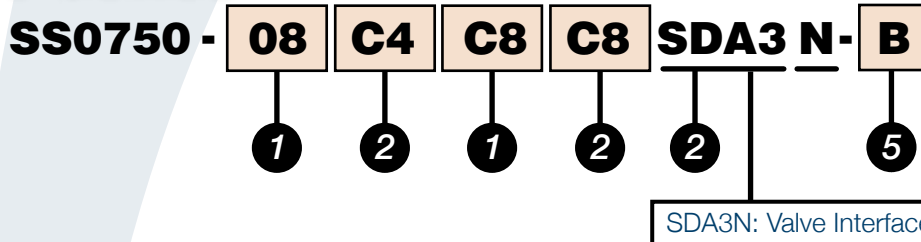
(Please refer to Best Pneumatics 1-1 Page 536 for full how to order)

SV1000/2000/3000



S0700 Series

(Please refer to Best Pneumatics 1-1 Page 920 for full how to order)

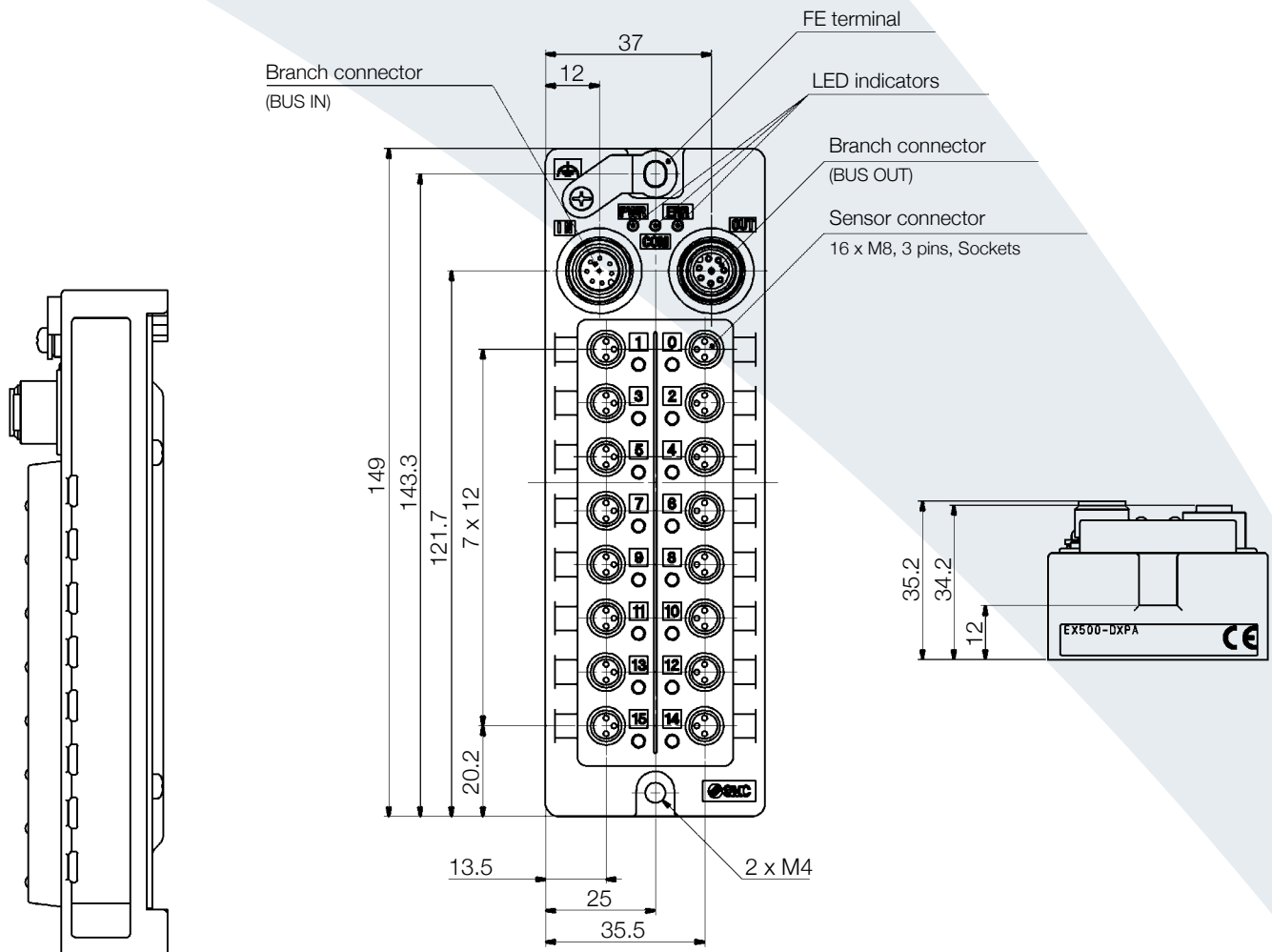


EX500 DXPA

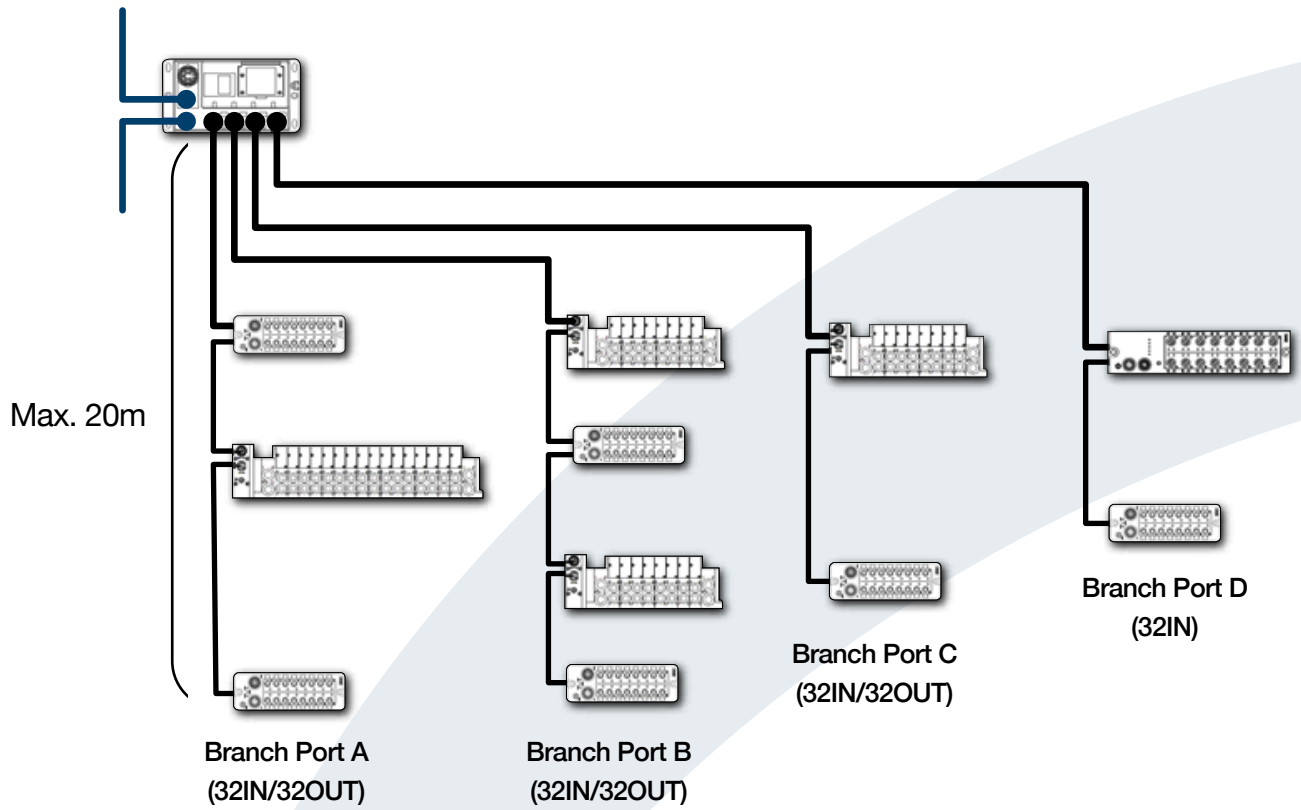
- 16 PNP Input through connector
- Max Sensor Supply Current: 1.3 A/unit
- IP67 Protection Rating
- LED Diagnostics
- Short Circuit Protection
- Plug & Play Connection



EX500-DXPA



Flexible Architecture



Valve Interfaces and Input Blocks can be connected in any order, giving maximum flexibility in machine design.

Global Manufacturing, Distribution and Service Network

Worldwide Subsidiaries

EUROPE

AUSTRIA SMC Pneumatik GmbH (Austria)	LATVIA SMC Pneumatics Latvia SIA
BELGIUM SMC Pneumatics N.V./S.A.	LITHUANIA SMC Pneumatics Lietuva, UAB
BULGARIA SMC Industrial Automation Bulgaria EOOD	NETHERLANDS SMC Pneumatics BV
CROATIA SMC Industrijska Automatika d.o.o.	NORWAY SMC Pneumatics Norway A/S
CZECH SMC Industrial Automation CZ s.r.o.	POLAND SMC Industrial Automation Polska Sp.z.o.o.
DENMARK SMC Pneumatik A/S	ROMANIA SMC Romania S.r.l.
ESTONIA SMC Pneumatics Estonia	RUSSIA SMC Pneumatik LLC.
FINLAND SMC Pneumatics Finland OY	SLOVAKIA SMC Priemyselna Automatizácia, s.r.o.
FRANCE SMC Pneumatique S.A.	SLOVENIA SMC Industrijska Avtomatika d.o.o.
GERMANY SMC Pneumatik GmbH	SPAIN / PORTUGAL SMC España, S.A.
GREECE SMC Hellas EPE	SWEDEN SMC Pneumatics Sweden AB
HUNGARY SMC Hungary Ipari Automatizálási Kft.	SWITZERLAND SMC Pneumatik AG
IRELAND SMC Pneumatics (Ireland) Ltd.	UK SMC Pneumatics (U.K.) Ltd.
ITALY SMC Italia S.p.A.	

ASIA

CHINA SMC (China) Co., Ltd.
HONG KONG SMC Pneumatics (Hong kong) Ltd.
INDIA SMC Pneumatics (India) Pvt. Ltd.
JAPAN SMC Corporation
MALAYSIA SMC Pneumatics (S.E.A.) Sdn. Bhd.
PHILIPPINES SMC Pneumatics (Philippines), Inc.
SINGAPORE SMC Pneumatics (S.E.A.) Pte. Ltd.
SOUTH KOREA SMC Pneumatics Korea Co., Ltd.
TAIWAN SMC Pneumatics (Taiwan) Co., Ltd.
THAILAND SMC Thailand Ltd.

NORTH AMERICA

CANADA SMC Pneumatics (Canada) Ltd.
MEXICO SMC Corporation (Mexico) S.A. DE C.V.
USA SMC Corporation of America

SOUTH AMERICA

ARGENTINA SMC Argentina S.A.
BOLIVIA SMC Pneumatics Bolivia S.R.L.
BRAZIL SMC Pneumaticos do Brazil Ltda.
CHILE SMC Pneumatics (Chile) S.A.
VENEZUELA SMC Neumatica Venezuela S.A.

OCEANIA

AUSTRALIA SMC Pneumatics (Australia) Pty. Ltd.
NEW ZEALAND SMC Pneumatics (N.Z.) Ltd.

U.S. & Canadian Sales Offices

WEST

Austin
Dallas
Los Angeles
Phoenix
Portland
San Francisco

CENTRAL

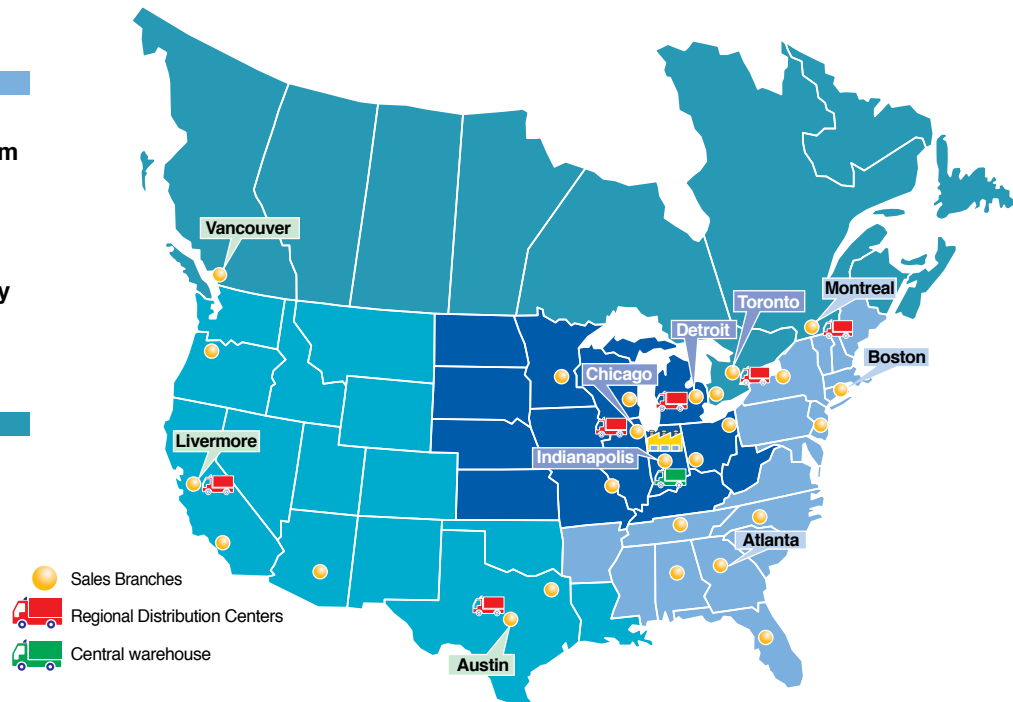
Chicago
Cincinnati
Cleveland
Detroit
Indianapolis
Milwaukee
Minneapolis
St. Louis

EAST

Atlanta
Birmingham
Boston
Charlotte
Nashville
New Jersey
Rochester
Tampa

CANADA

Vancouver
Toronto
Windsor
Montreal



SMC Corporation of America
10100 SMC Blvd., Noblesville, IN 46060
www.smcusa.com

SMC Pneumatics (Canada) Ltd.
www.smc PneUMATICS.ca

(800) SMC.SMC1 (762-7621)
e-mail: sales@smcusa.com
International inquiries: www.smcworld.com

