

EX260 Series

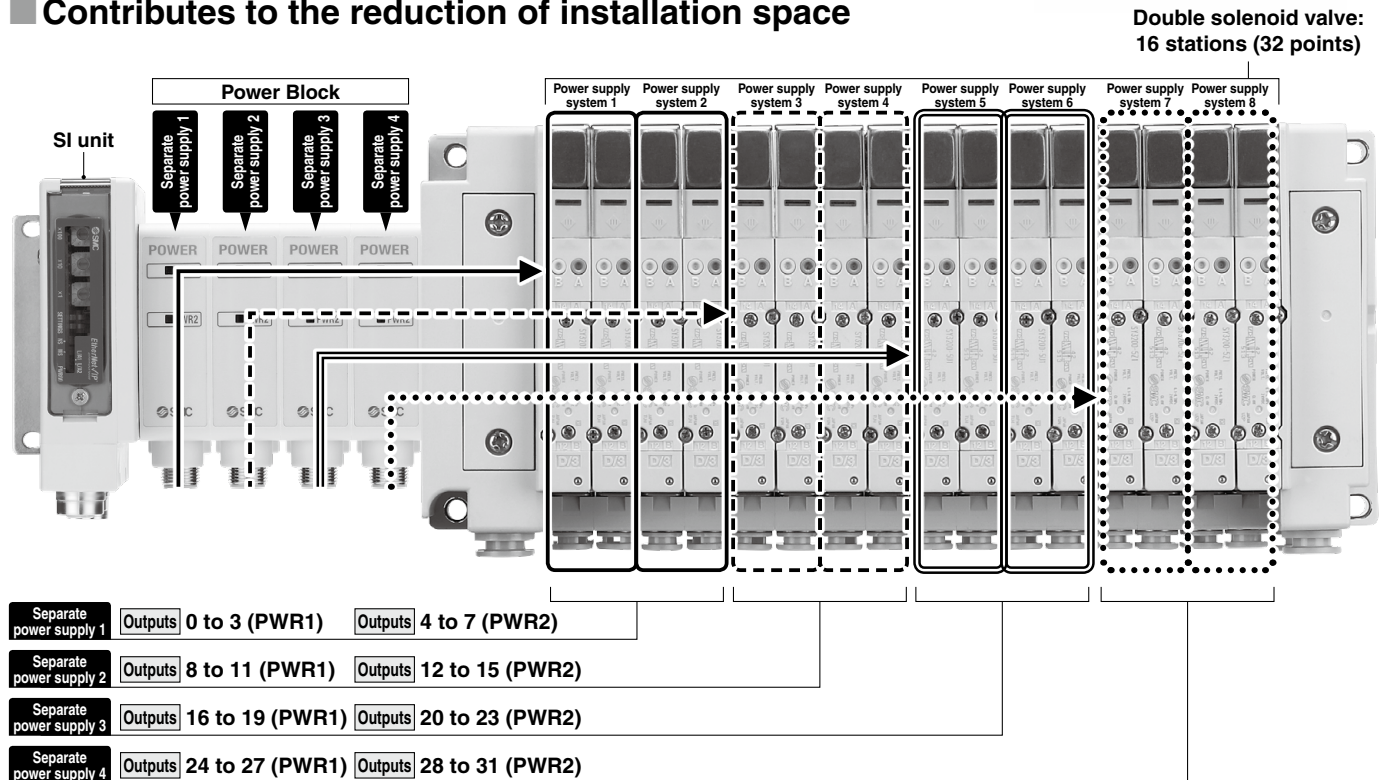
EX600 Series

Power Block



Power can be supplied individually to 8 power supply systems using up to 4 power blocks.

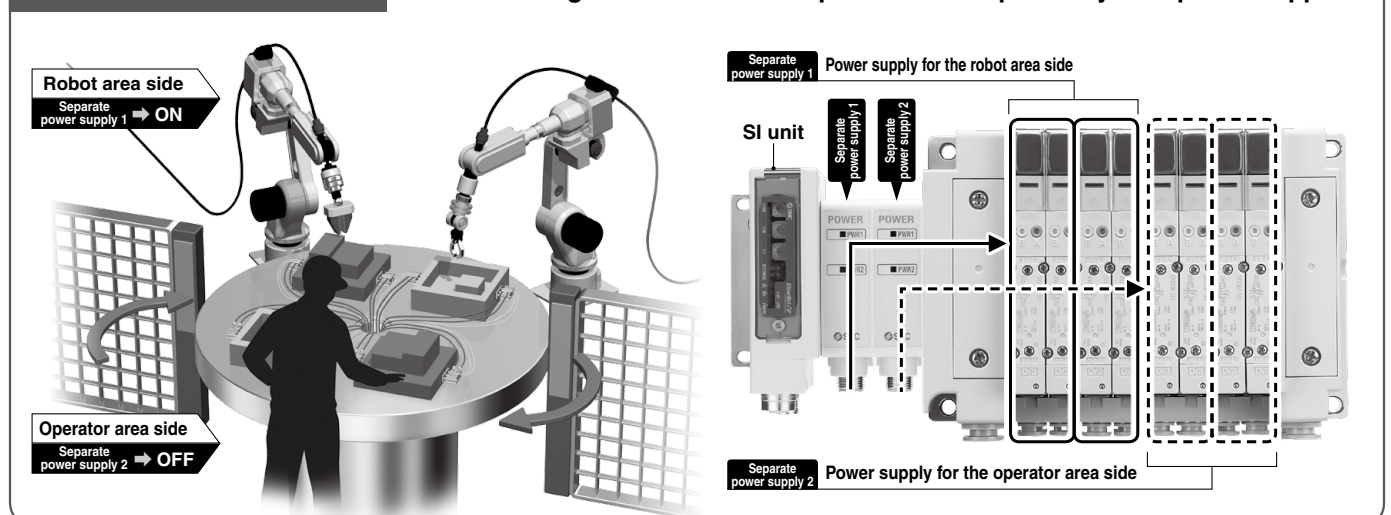
- Different areas on the same manifold can be controlled by separate-system power supplies.
- Contributes to the reduction of installation space



- Maximum number of outputs: 32
- IP67 compliant (Manifold assembly)
- Applicable valves: JSY, SY, VQC, S0700, SV

Application Examples

For controlling the robot and the operator with separate-system power supplies



EX9-PE1-X15/X22/X23/X24



EX9-PE1-X15/X22/X23/X24

Combination of Power Blocks

		1 station	2 stations	3 stations	4 stations
		X15	X22	X23	X24
<div data-bbox="124 309 199 376" style="background-color: #333; color: white; padding: 5px; text-align: center; font-weight: bold;">1 station</div> <div data-bbox="215 309 678 340" style="border: 1px solid black; padding: 2px;">Outputs 0 to 7 (Separate power supply 1)</div> <div data-bbox="311 358 1133 716"> </div>	●				
	<div data-bbox="124 761 199 828" style="background-color: #333; color: white; padding: 5px; text-align: center; font-weight: bold;">2 stations</div> <div data-bbox="215 761 1077 792" style="border: 1px solid black; padding: 2px;">Outputs 0 to 7 (Separate power supply 1), 8 to 15 (Separate power supply 2)</div> <div data-bbox="263 806 1133 1164"> </div>	●	●		
		<div data-bbox="124 1209 199 1276" style="background-color: #333; color: white; padding: 5px; text-align: center; font-weight: bold;">3 stations</div> <div data-bbox="215 1209 1181 1240" style="border: 1px solid black; padding: 2px;">Outputs 0 to 7 (Separate power supply 1), 8 to 15 (Separate power supply 2), 16 to 23 (Separate power supply 3)</div> <div data-bbox="215 1254 1133 1612"> </div>	●	●	●
	<div data-bbox="124 1657 199 1724" style="background-color: #333; color: white; padding: 5px; text-align: center; font-weight: bold;">4 stations</div> <div data-bbox="215 1657 1181 1688" style="border: 1px solid black; padding: 2px;">Outputs 0 to 7 (Separate power supply 1), 8 to 15 (Separate power supply 2), 16 to 23 (Separate power supply 3), 24 to 31 (Separate power supply 4)</div> <div data-bbox="167 1702 1133 2060"> </div>		●	●	●

The arrangement is numbered starting with the 1st station on the SI unit side.

Specifications

Model	EX9-PE1-X15	EX9-PE1-X22	EX9-PE1-X23	EX9-PE1-X24	
Rated voltage	24 VDC +10%/−5%				
Internal current consumption	External power supply 1: 20 mA or less, External power supply 2: 20 mA or less				
Output specifications	Power supply	Outputs 0 to 3: External power supply 1 (PWR1) Outputs 4 to 7: External power supply 2 (PWR2)	Outputs 8 to 11: External power supply 1 (PWR1) Outputs 12 to 15: External power supply 2 (PWR2)	Outputs 16 to 19: External power supply 1 (PWR1) Outputs 20 to 23: External power supply 2 (PWR2)	Outputs 24 to 27: External power supply 1 (PWR1) Outputs 28 to 31: External power supply 2 (PWR2)
	Output type	Source/PNP (Negative common)			
	Connected load	• Solenoid valve with surge voltage suppressor of 24 VDC and 1.5 W or less (made by SMC) • Output block*1			
	Residual voltage	0.7 VDC or less			
	Rated load current	PWR1 (Outputs 0 to 3): Max. 2 A PWR2 (Outputs 4 to 7): Max. 2 A	PWR1 (Outputs 8 to 11): Max. 2 A PWR2 (Outputs 12 to 15): Max. 2 A	PWR1 (Outputs 16 to 19): Max. 2 A PWR2 (Outputs 20 to 23): Max. 2 A	PWR1 (Outputs 24 to 27): Max. 2 A PWR2 (Outputs 28 to 31): Max. 2 A
Standards	CE marking				
Enclosure	IP67				
Weight	120 g				
Accessory	Tie-rod 2 pcs.				

*1 Refer to the table below.

Model	Note
EX9-OET1	Output block (For low-wattage load), Source/PNP (Negative common), M12 connector
EX9-OEP1 *2	Output block (For high-wattage load), Source/PNP (Negative common), M12 connector
EX9-PE1 *2	Power block, M12 connector

*2 When using the EX9-OEP1, the EX9-PE1 must be connected to the left side of the EX9-OEP1.

Plug connector for power supply: M12 pin arrangement A-coded



No.	Function	Description
1	PWR1 24 V	External power supply 1 24 V
2	PWR1 0 V*3	External power supply 1 0 V
3	PWR2 0 V*3	External power supply 2 0 V
4	PWR2 24 V	External power supply 2 24 V
5	—	Not used

*3 0 V signal lines of No. 2, No. 3, and the power supply for the valve on the SI unit side are internally connected.

How to Order

EX9-PE1-X15



• Output specifications

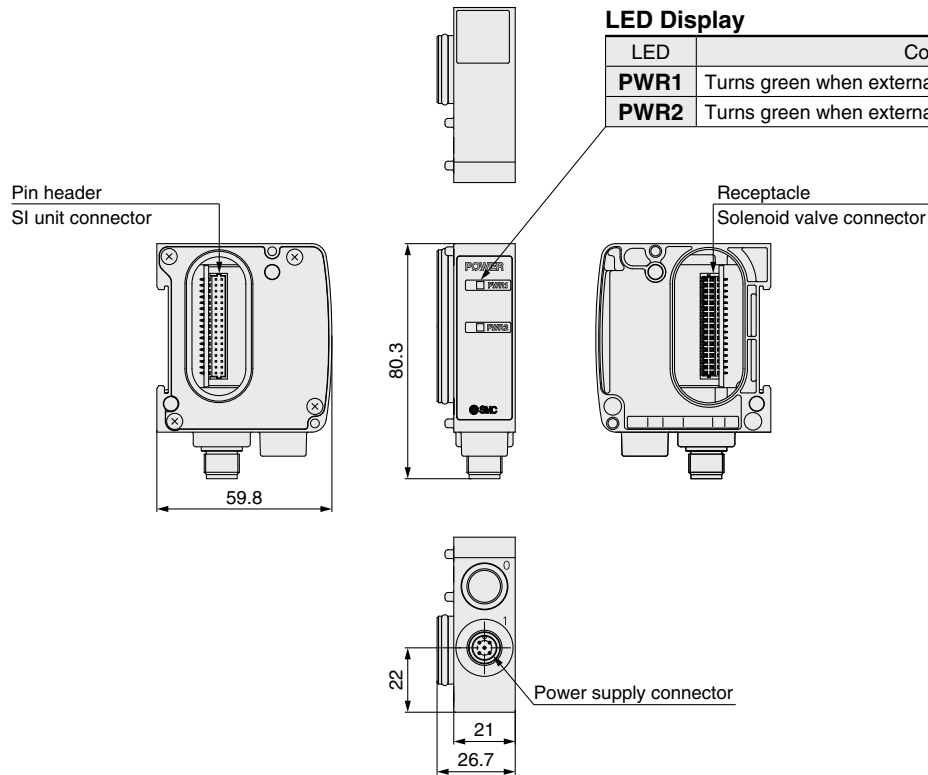
Symbol	Description
X15	Outputs 0 to 3: External power supply 1 (PWR1), Outputs 4 to 7: External power supply 2 (PWR2)
X22	Outputs 8 to 11: External power supply 1 (PWR1), Outputs 12 to 15: External power supply 2 (PWR2)
X23	Outputs 16 to 19: External power supply 1 (PWR1), Outputs 20 to 23: External power supply 2 (PWR2)
X24	Outputs 24 to 27: External power supply 1 (PWR1), Outputs 28 to 31: External power supply 2 (PWR2)

* Refer to page 1 for combinations.

EX9-PE1-X15/X22/X23/X24

Dimensions

[mm]



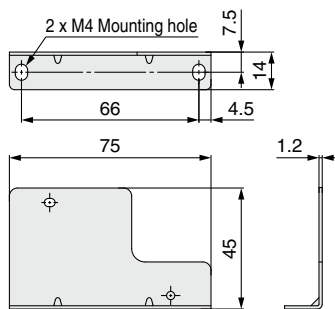
Accessories

Bracket plate/DIN rail mounting bracket

A reinforcing brace used to mount an output block or power block onto the SI unit of the EX260 series

To prevent connection failure between products due to deflection, use this bracket plate whenever an output block or power block is mounted.

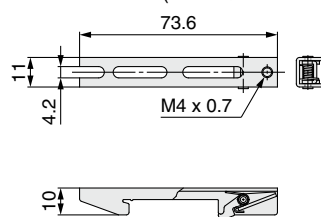
EX9-BP1



Accessory

Description	Qty.
Hexagon socket head cap screw (M3 x 35)	2

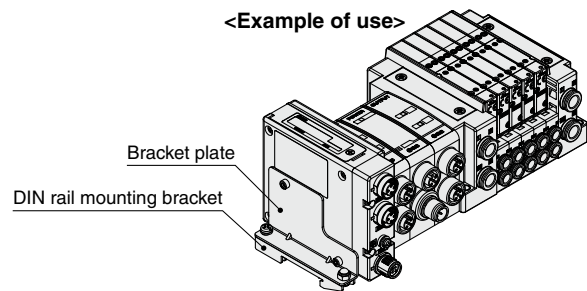
EX9-BD1 (For VQC/S0700/SV)



Accessory

Description	Qty.
Domed cap nut (M4)	1
Round head combination screw (M4 x 8)	1
Round head combination screw (M4 x 10)	1

<Example of use>



⚠ Safety Instructions Be sure to read the "Handling Precautions for SMC Products" (M-E03-3) and "Operation Manual" before use.