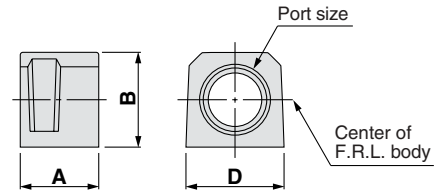
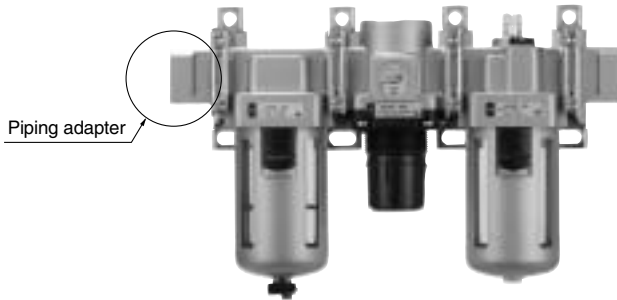


F.R.L. Unit *Series AC* Attachment Specifications

Piping Adapter (E) M5 x 0.8, 1/8, 1/4, 3/8, 1/2, 3/4, 1

A piping adapter allows installation/removal of the component without removing the piping and thus makes maintenance easier.



Model ^{Note)}	Port size	A	B	D	Applicable model
E100-M5	M5 x 0.8	10	14	14	AC10□, AW10, AF10, AR10, AL10
E200-□01	1/8	30	23.5	28	AC20□
E200-□02	1/4				AF20, AR20□, AW20□
E200-□03	3/8				AL20, AFM20, AFD20, AWM20, AWD20
E300-□02	1/4	32	30	30	AC25□, AC30□
E300-□03	3/8				AF30, AR30□, AW30□
E300-□04	1/2				AL30, AFM30, AFD30, AWM30, AWD30
E400-□02	1/4	32	36	36	AC40□
E400-□03	3/8				AF40, AR40□, AW40□
E400-□04	1/2				AL40, AFM40, AFD40
E400-□06	3/4				AWM40, AWD40
E500-□06	3/4	32	40	44	AC40□-06, AF40-06, AR40□-06, AW40□-06 AL40-06, AFM40-06, AFD40-06
E600-□06	3/4	35	48	53	AC50, AC55, AC60, AC50B, AC55B, AC60B
E600-□10	1				AF50, AR50□, AL50, AF60, AR60□, AL60

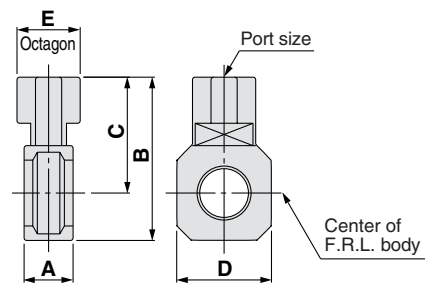
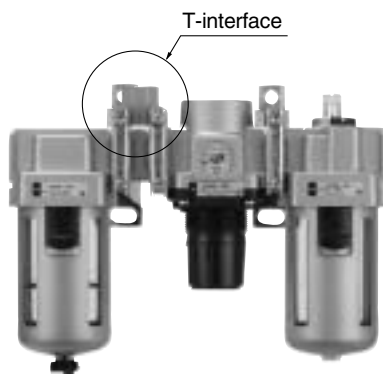
Notes) • □ in model numbers indicates a thread type. No indication is necessary for Rc; however, indicate N for NPT, and F for G.

• Separate interfaces are required for modular unit.

* Factory mounting of a piping adapter on the AC models is available as a special order.

T-interface (T) M5 x 0.8, 1/8, 1/4, 3/8, 1/2

Using a T-interface facilitates the redirection of air flow.



Model	Port size	A	B	C	D	E	Applicable model
Y110-M5	M5 x 0.8	11	19	12	14	8	AC10, AC10B
Y210-□01	1/8	15	42	32	28	19	AC20, AC20B
Y210-□02	1/4						AC20C
Y310-□01	1/8	15	53	39	30	19	AC25, AC25B
Y310-□02	1/4						AC25C, AC30
Y410-□02	1/4	19	62	44	36	24	AC30B, AC30C
Y410-□03	3/8						AC40, AC40B
Y510-□02	1/4	19	66	46	44	24	AC40C
Y510-□03	3/8						AC40-06, AC40B-06
Y610-□03	3/8	22	81	57	53	30	AC40C-06
Y610-□04	1/2						AC50, AC55
							AC60, AC50B
							AC55B, AC60B

Notes) • □ in model numbers indicates a thread type. No indication is necessary for Rc; however, indicate N for NPT, and F for G.

• Separate interfaces are required for modular unit.

* Refer to the attachment table on Front matter 2 for standard port sizes when using with AC.

Caution in Mounting

- If a T-interface is used on the IN side of the lubricator, lubricant may be mixed. Use the series AKM check valve to avoid such possibility.