

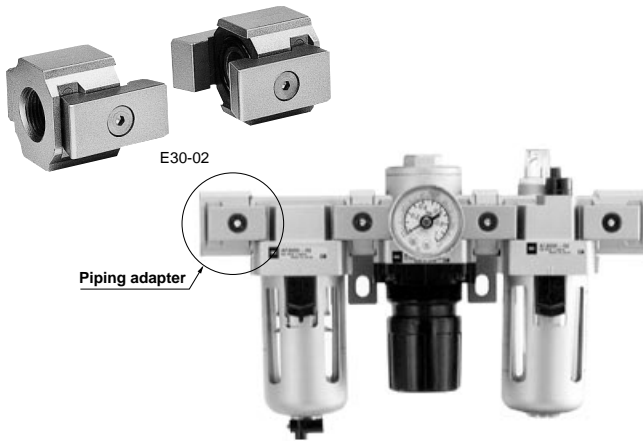
Attachments



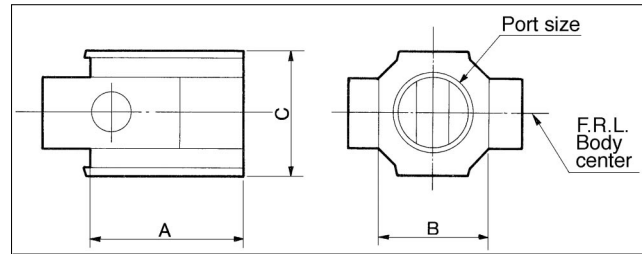
Piping Adapter

M5 X 0.8, 1/8, 1/4, 3/8, 1/2, 3/4, 1

Easy maintenance. Makes it possible to attach and detach equipment without removing piping.



- * To order piping adapter with bracket, the parts number as shown below.
(Example) With L type bracket: E□□L-□
With T type bracket: E□□T-□
- ** One with AC installed is special product.



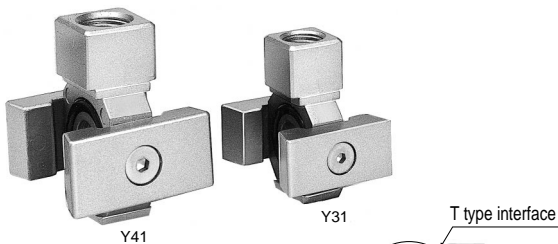
Model	Port size	A	B	C	Applicable model
E10-M5	M5 X 0.8	16	14	17.5	AC10□□, AW1000 AF1000, AR1000, AL1000
E20-□□01	1/8	23	22	22	AC20□□ AF2000, AR2000, AW2000 AL2000, AFM2000, AFD2000
E20-□□02	1/4				
E20-□□03	3/8				
E30-□□02	1/4	26	29	34.2	AC25□□, AC30□□ AF3000, AR3000, AW3000 AL3000, AFM3000, AFD3000
E30-□□03	3/8				
E30-□□04	1/2	40	29	34.2	
E40-□□02	1/4	33	35	42.2	AC40□□ AF4000, AR4000, AW4000 AL4000, AFM4000, AFD4000
E40-□□03	3/8				
E40-□□04	1/2				
E40-□□06	3/4	50	35	42.2	
E50-□□06	3/4	36	44	46.2	AC40□□-06 AF4000-06, AR4000-06, AW4000-06 AL4000-06, AFM4000-06, AFD4000-06
E60-□□06	3/4	40	54	55.2	AC5000, AC5500, AC6000 AC5020, AC5520, AC6020 AF5000, AR5000, AL5000 AF6000, AR6000, AL6000
E60-□□10	1				

Note 1) □ in part number indicates thread type. Use nothing for Rc(PT), N for NPT and F for G(PF).

T Type Interface: (T)

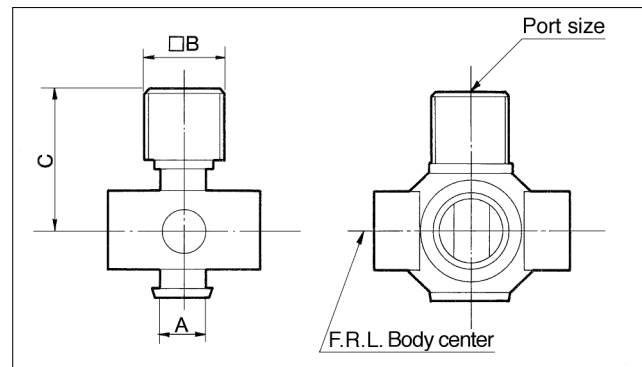
M5 X 0.8, 1/8, 1/4, 3/8, 1/2

Makes it easy to diverge air out with T type interface.



T type interface

Model	File
Y11-M5	SAC1000, #9
Y21-01, 02	SAC2000, #9
Y31-01, 02	SAC2503, #9
Y41-02, 03	SAC4000, #9
Y51-02, 03	SAC4006, #9
Y61-03, 04	SAC5000, #9



Model	Port size	A	□B	C	Applicable model
Y11-M5	M5 X 0.8	8	8	12	AC1000, AC1020
Y21-□□01	1/8	10	19	29	AC2000, AC2020, AR2030
Y21-□□02	1/4				
Y31-□□01	1/8	11	19	33	AC2500, AC2520, AC2530 AC3000, AC3020, AC3030
Y31-□□02	1/4				
Y41-□□02	1/4	14	24	39	AC4000, AC4020, AC4030
Y41-□□03	3/8				
Y51-□□02	1/4	14	24	41	AC4000-06, AC4020-06 AC4030-06
Y51-□□03	3/8				
Y61-□□03	3/8	15	30	50.5	AC5000, AC5500, AC6000 AC5020, AC5520, AC6020
Y61-□□04	1/2				

Caution on Assembling

- T type interface cannot be mounted at IN/OUT side of AW or upward handle of AR.
- When T type interface is used at IN side of lubricator, oil may have entered. Use check valve series AKM.

* When T type interface with bracket is required, order as example below.

(Example) With L bracket: Y□□1L-□
With T bracket: Y□□1T-□

** Refer to a table of attachment on P.1.1-3 for standard port size when applying to AC.

*** □ in part number indicates thread. Use nothing for Rc(PT), N for NPT and F for G(PF).