

Series FQ1



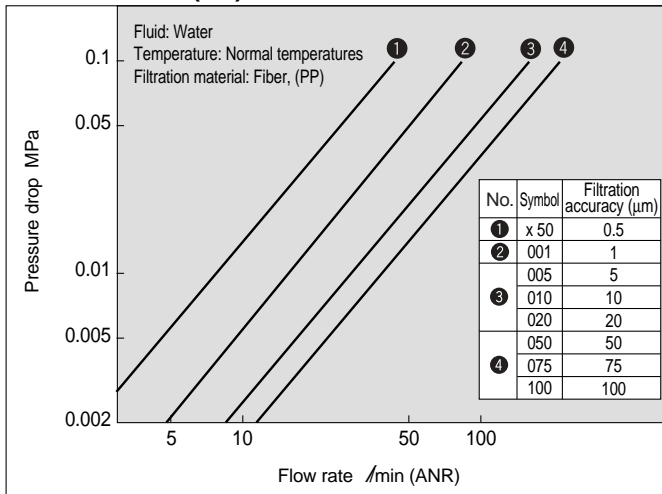
Specifications

Model		FQ1010	FQ1011	FQ1012
No. of built-in elements (L: Element length in mm)		1 (L125)	1 (L250)	2 (L250 x 2)
Operating pressure		Maximum 1MPa		
Operating temperature		Maximum 80°C (Not exceeding boiling point)		
Port size Rc		1/2, 3/4	1/2, 3/4, 1	3/4, 1
Material	Housing/Seal	SUS304/NBR or FPM		
	Element (Note)	Cotton, PP, SUS304, SUS316, etc.		
Element replacement differential pressure (recommended)		Maximum 0.1MPa		
Weight kg		Approx. 1.5	Approx. 1.9	Approx. 2.7

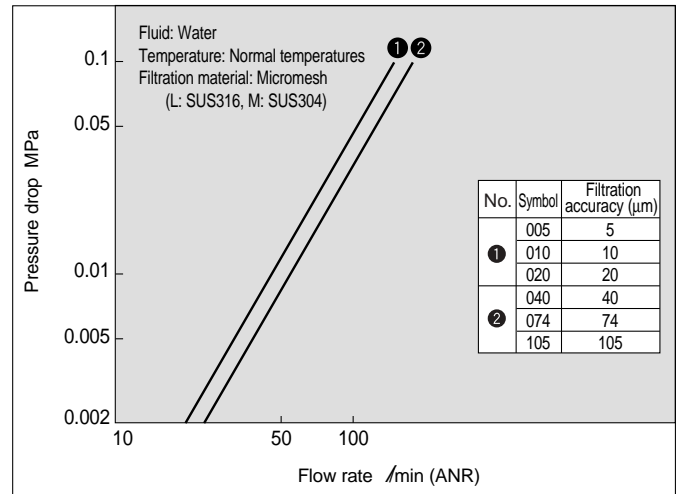
Note) For FQ1010, only micromesh elements and PP depth elements are used.

Flow Characteristics

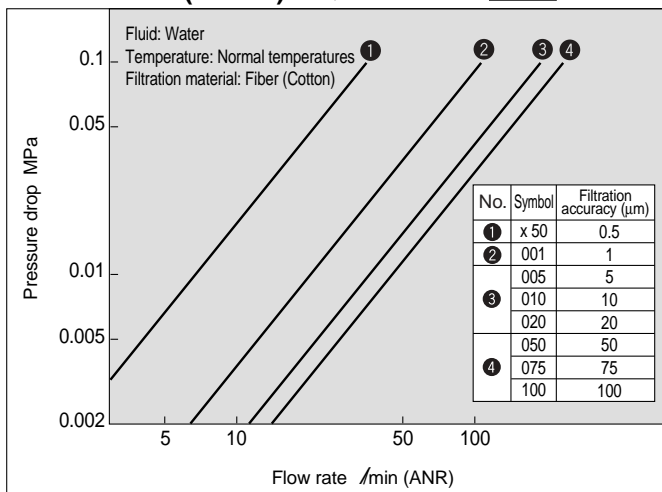
Fiber element (PP): FQ1011N-06-Q Symbol



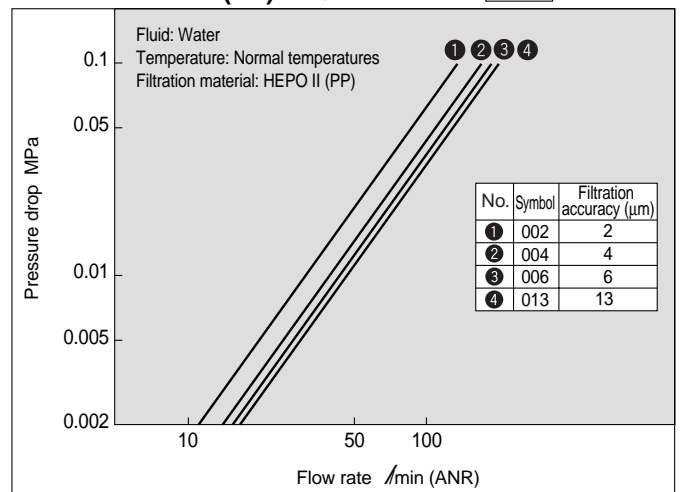
Micromesh element: FQ1011N-06-M Symbol



Fiber element (Cotton): FQ1011N-06-H Symbol



HEPO II element (PP): FQ1011N-06-R Symbol

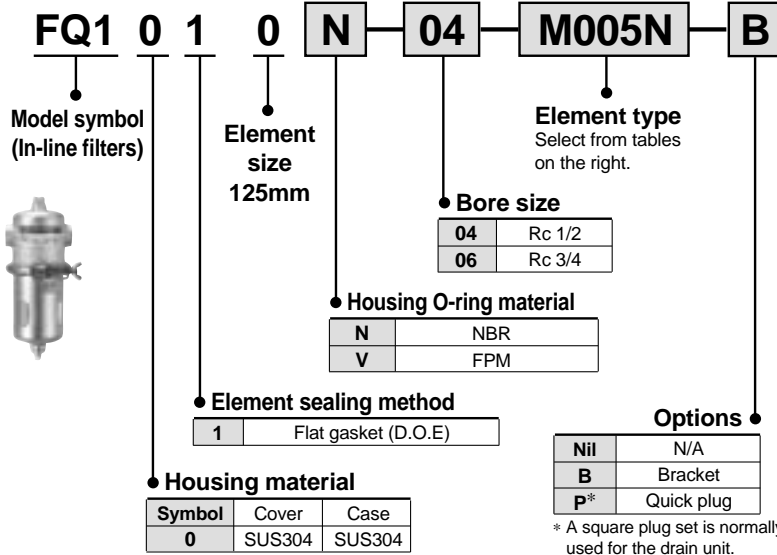


Note) The recommended flow rate is the rate for an initial pressure drop of 0.01 to 0.02 MPa.

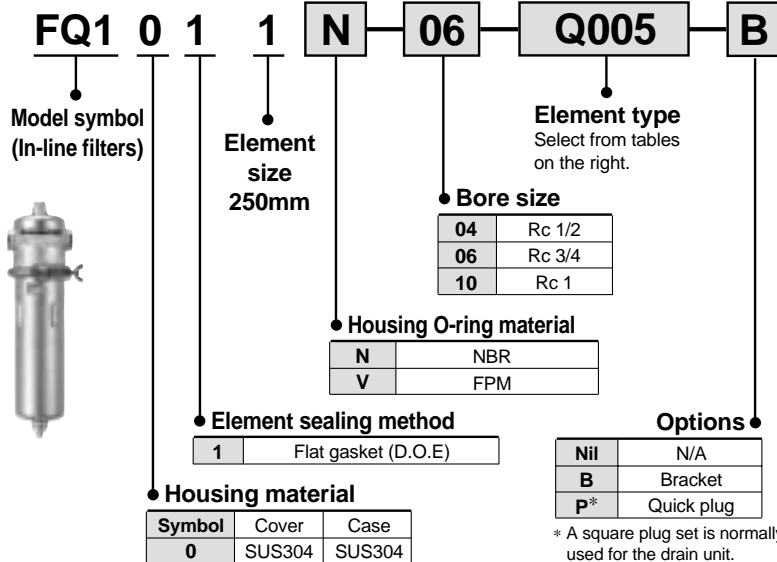
Series FQ1

How to Order Filters

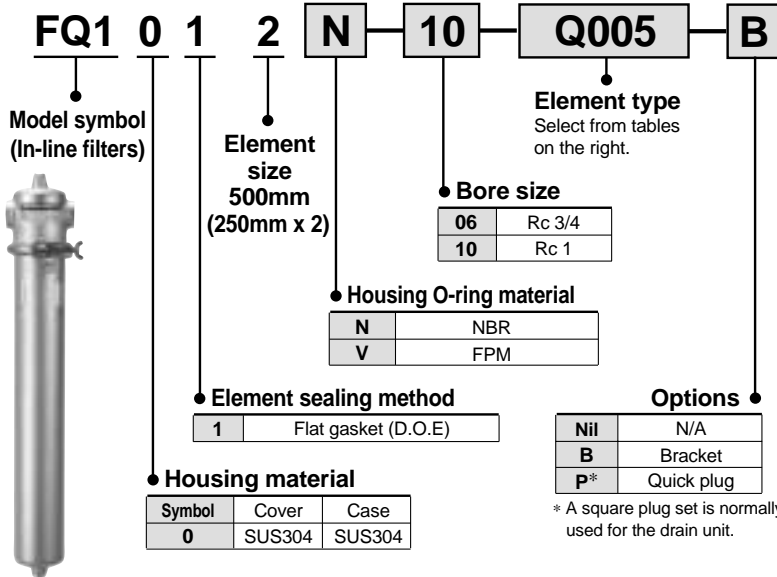
<Applicable element dimensions: $\phi 65 \times 125\text{mm}$ >



<Applicable element dimensions: $\phi 65 \times 250\text{mm}$ >



<Applicable element dimensions: $\phi 65 \times 250\text{mm}$ (2 pcs.)>



Element and Seal Part Numbers

1. Fiber element (PP)

Dimensions	Element symbol	Filtration accuracy (μm)	Part number
$\phi 65 \times 250\text{mm}$	QX50	0.5	EHM10AX3
	Q001	1	EHM39R10AYX3
	Q005	5	EHM23R10AYX3
	Q010	10	EHM19R10AYX3
	Q020	20	EHM15R10AX3
	Q050	50	EHM11R10AX3
	Q075	75	EHM10R10AX3
	Q100	100	EHM8R10AX3

2. Fiber element (Cotton)

Dimensions	Element symbol	Filtration accuracy (μm)	Part number
$\phi 65 \times 250\text{mm}$	HX50	0.5	EH10G
	H001	1	EH39R10GV
	H005	5	EH23R10GV
	H010	10	EH19R10GV
	H020	20	EH15R10G
	H050	50	EH11R10G
	H075	75	EH10R10G
	H100	100	EH8R10G

3. Micromesh element (SUS304) Bonding material: Epoxy resin

Dimensions	Element symbol	Filtration accuracy (μm)	Part number
$\phi 65 \times 250\text{mm}$	M005□	5	EM100-005□
	M010□	10	EM100-010□
	M020□	20	EM100-020□
	M040□	40	EM100-040□
	M074□	74	EM100-074□
	M105□	105	EM100-105□
$\phi 65 \times 125\text{mm}$	M005□	5	EM200-005□ x 4
	M010□	10	EM200-010□ x 4
	M020□	20	EM200-020□ x 4
	M040□	40	EM200-040□ x 4
	M074□	74	EM200-074□ x 4
	M105□	105	EM200-105□ x 4

Note) Specify seal material in place of "□" (N for NBR or V for FPM).

4. Micromesh element (SUS316) Bonding material: Nickel solder

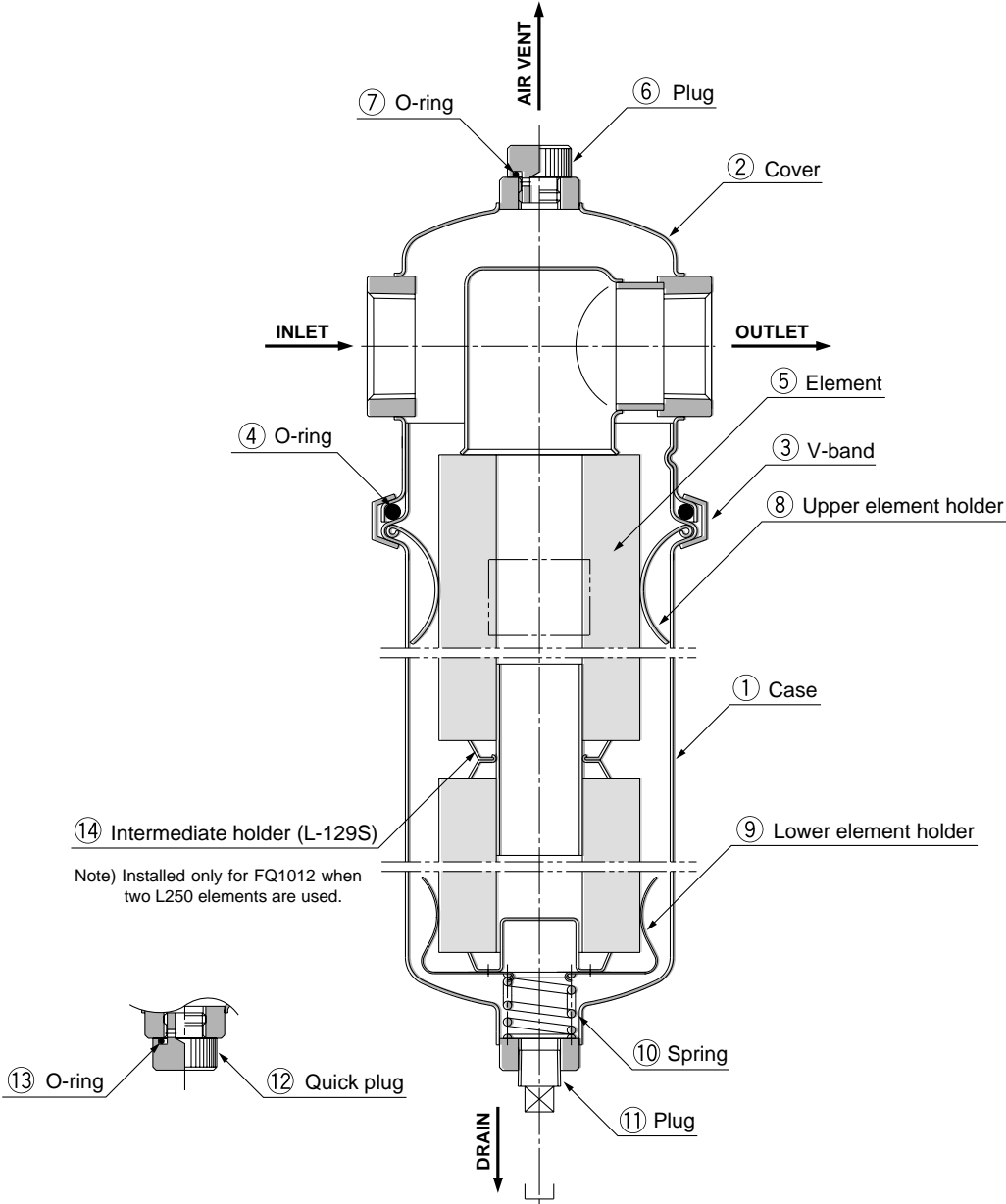
Dimensions	Element symbol	Filtration accuracy (μm)	Part number
$\phi 65 \times 250\text{mm}$	L005□	5	EM500-005□
	L010□	10	EM500-010□
	L020□	20	EM500-020□
	L040□	40	EM500-040□
	L074□	74	EM500-074□
	L105□	105	EM500-105□
$\phi 65 \times 125\text{mm}$	L005□	5	EM600-005□ x 4
	L010□	10	EM600-010□ x 4
	L020□	20	EM600-020□ x 4
	L040□	40	EM600-040□ x 4
	L074□	74	EM600-074□ x 4
	L105□	105	EM600-105□ x 4

Note) Specify seal material in place of "□" (N for NBR or V for FPM).



Elements other than 1 to 4 listed above are also available. Refer to "Made to Order" elements on pages 7 and 8 for details.

Construction

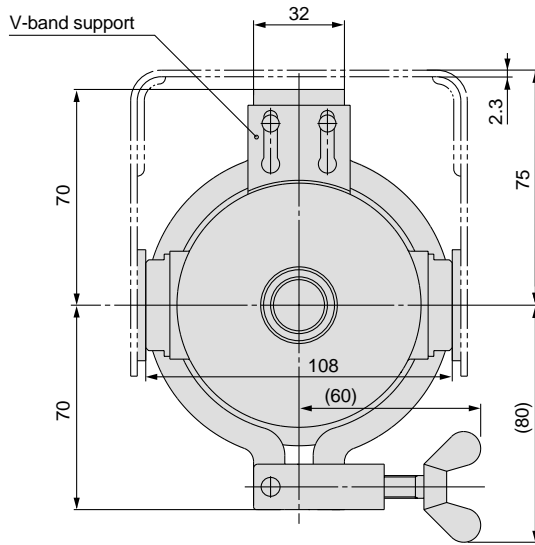


Replacement parts: Seals

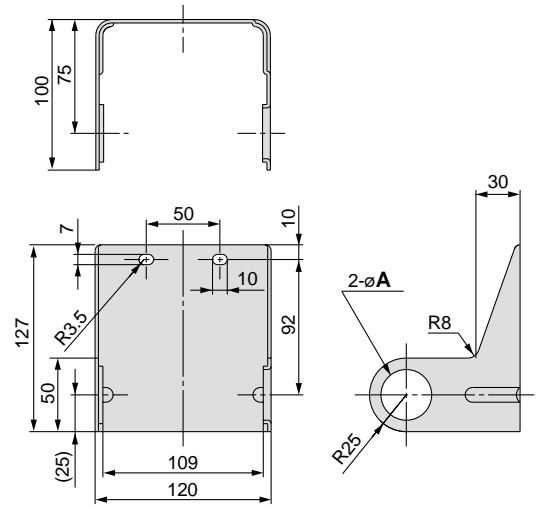
No.	Description	Part number	Dimensions (mm)	Material
④	O-ring	JIS B2401-1A-P85	I.D. 84.6 x ø5.7	NBR
		JIS B2401-4D-P85		FPM
⑦ ⑬	O-ring	JIS B2401-1A-P11	I.D. 10.8 x ø2.4	NBR
		JIS B2401-4D-P11		FPM

Series FQ1

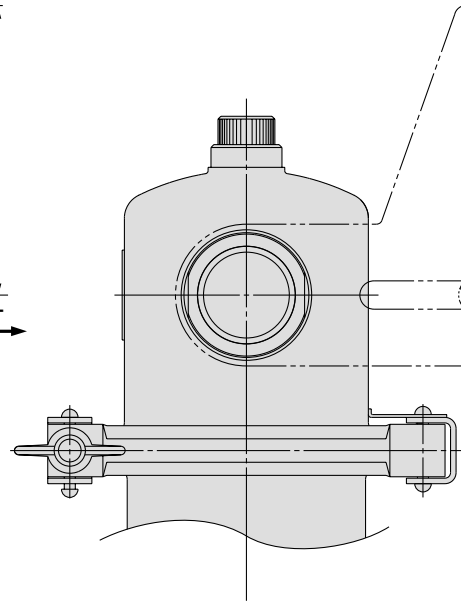
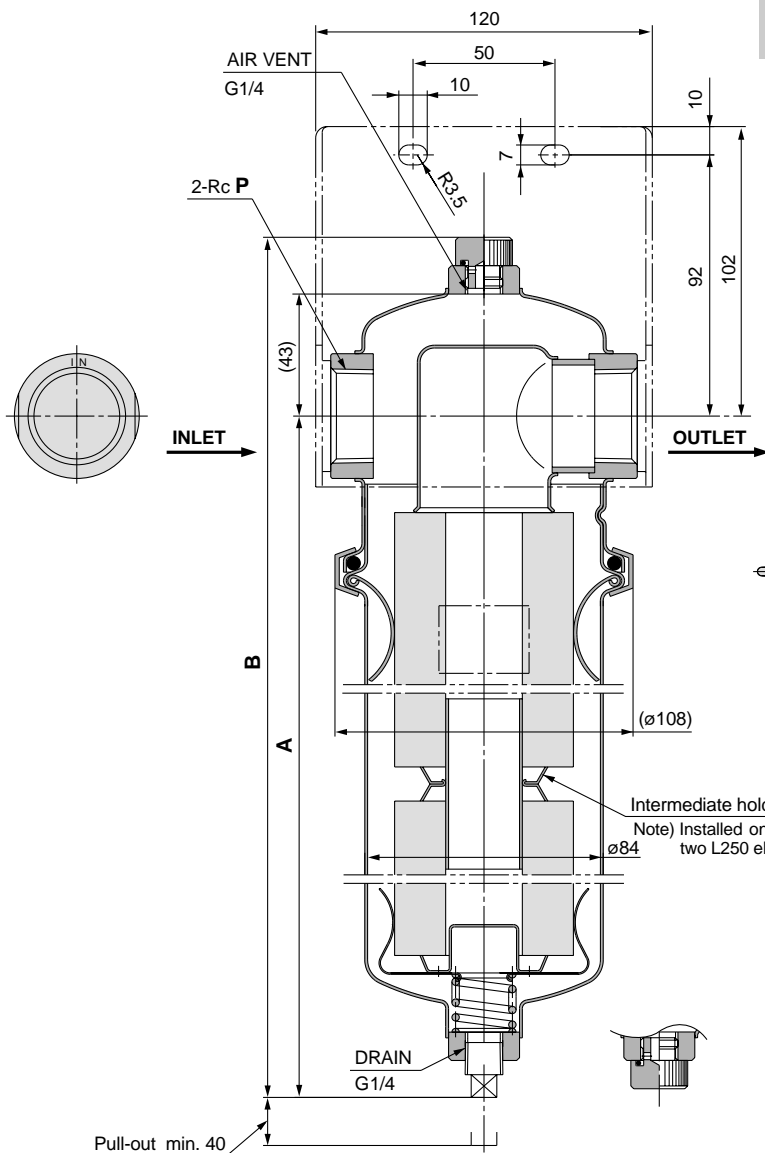
Dimensions



Bracket



Part number	A	Applicable bore size
BP-13S	34.5	Rc 1
BP-14S	27.5	Rc 3/4
BP-15S	22	Rc 1/2



Model	A	B	P	No. of elements
FQ1010	204	267	1/2, 3/4	L125 x 1
FQ1011	332	395	1/2, 3/4, 1	L250 x 1
FQ1012	593	656	3/4, 1	L250 x 2