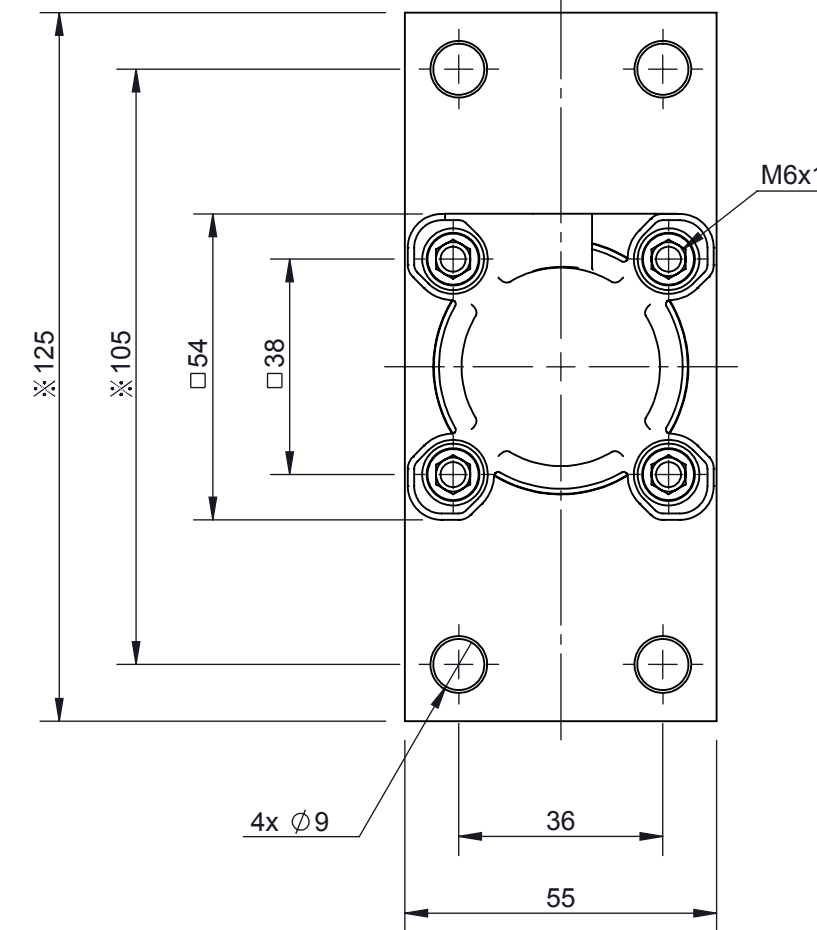
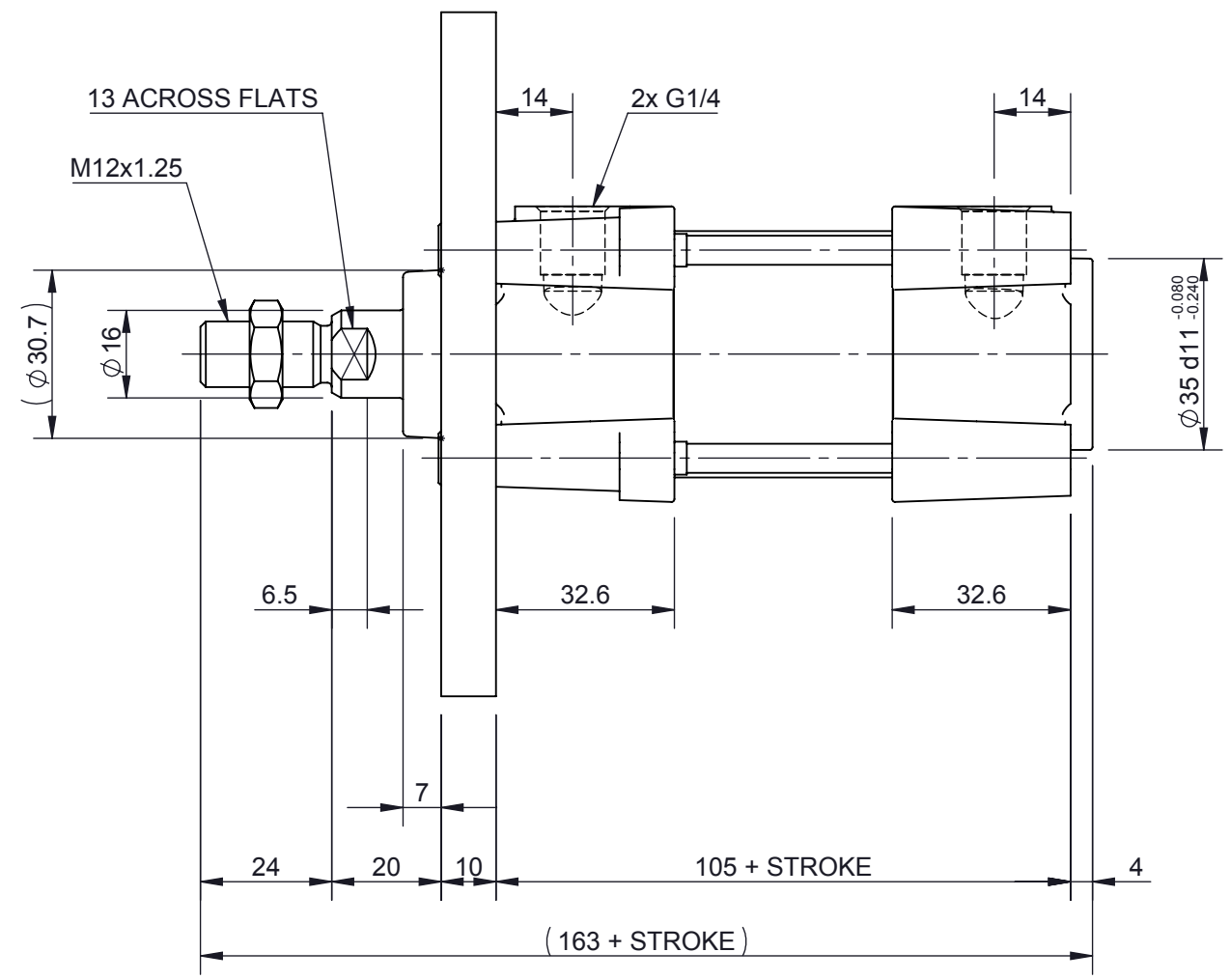


IN9001

REV.	ZONE	ECN	DESCRIPTION	DATE	BY
------	------	-----	-------------	------	----



**SPECIFICATIONS: ACTUATOR**

CYLINDER SERIES	C96-C
FLUID	AIR
ACTION	DOUBLE ACTING, SINGLE ROD
BORE	40mm
STROKE	INDEPENDENT
STROKE TOLERANCE	0~500: $^{+2.0}_0$ , 501~1000: $^{+2.4}_0$ , 1001~1500: $^{+2.8}_0$ , 1501~2000: $^{+3.2}_0$
MIN. OP. PRESSURE	0.05 MPa
MAX. OP. PRESSURE	1.0 MPa
OPERATING TEMP.	-10~60°C
PISTON VELOCITY	50~1000mm/sec
CUSHION	AIR + BUMPER, BOTH ENDS
INTERNAL LUBRICATION	NOT REQUIRED
MOUNTING	⌘ SPECIAL FLANGE
OPTION 1	AUTO SWITCH CAPABLE
OPTION 2	⌘ LOCK WASHERS FOR FLANGE BOLTS

**NOTES (UNLESS OTHERWISE SPECIFIED)**

- ALL DIMENSIONS ARE IN MILLIMETERS
- ⌘ DESIGNATES DEVIATION FROM SMC STANDARD
- THIS DRAWING IS STROKE INDEPENDENT. WHEN ORDERING REPLACE "###" WITH STROKE IN MILLIMETERS.

UNITS mm		SCALE FREE	
DRAWN BY M. WONDERGEM		DATE 9/12/2017	SMC Corporation of America <small>THIS DRAWING CONTAINS CONFIDENTIAL INFORMATION PROPRIETARY TO SMC CORPORATION OF AMERICA. IT MUST NOT BE REPRODUCED OR DISCLOSED TO OTHERS OR USED IN ANY OTHER WAY, IN PART OR IN WHOLE, EXCEPT AS AUTHORIZED IN WRITING BY SMC CORPORATION OF AMERICA.</small>
APPROVED BY <b>REFER TO EDM SYSTEM</b>		DESCRIPTION C96C CUSTOM CYLINDER	
<b>PRINTED DOCUMENTS ARE UNCONTROLLED</b> REFER TO EDM SYSTEM FOR CONTROLLED DOCUMENT		DRAWING/PART No.	REVISION 
CAD FILE C96SDF40-###-DUV01906	SIZE B	C96SDF40-###-DUV01906	SHEET 1 OF 1

REFERENCE NUMBER: US125856