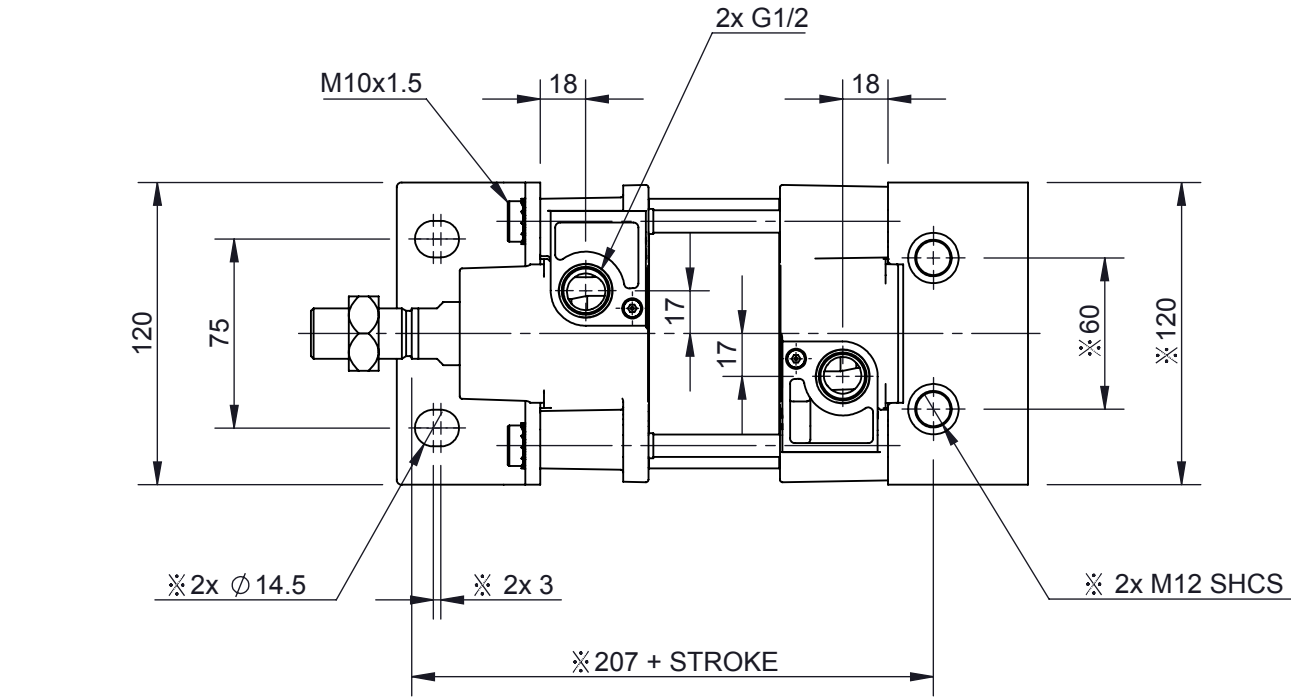
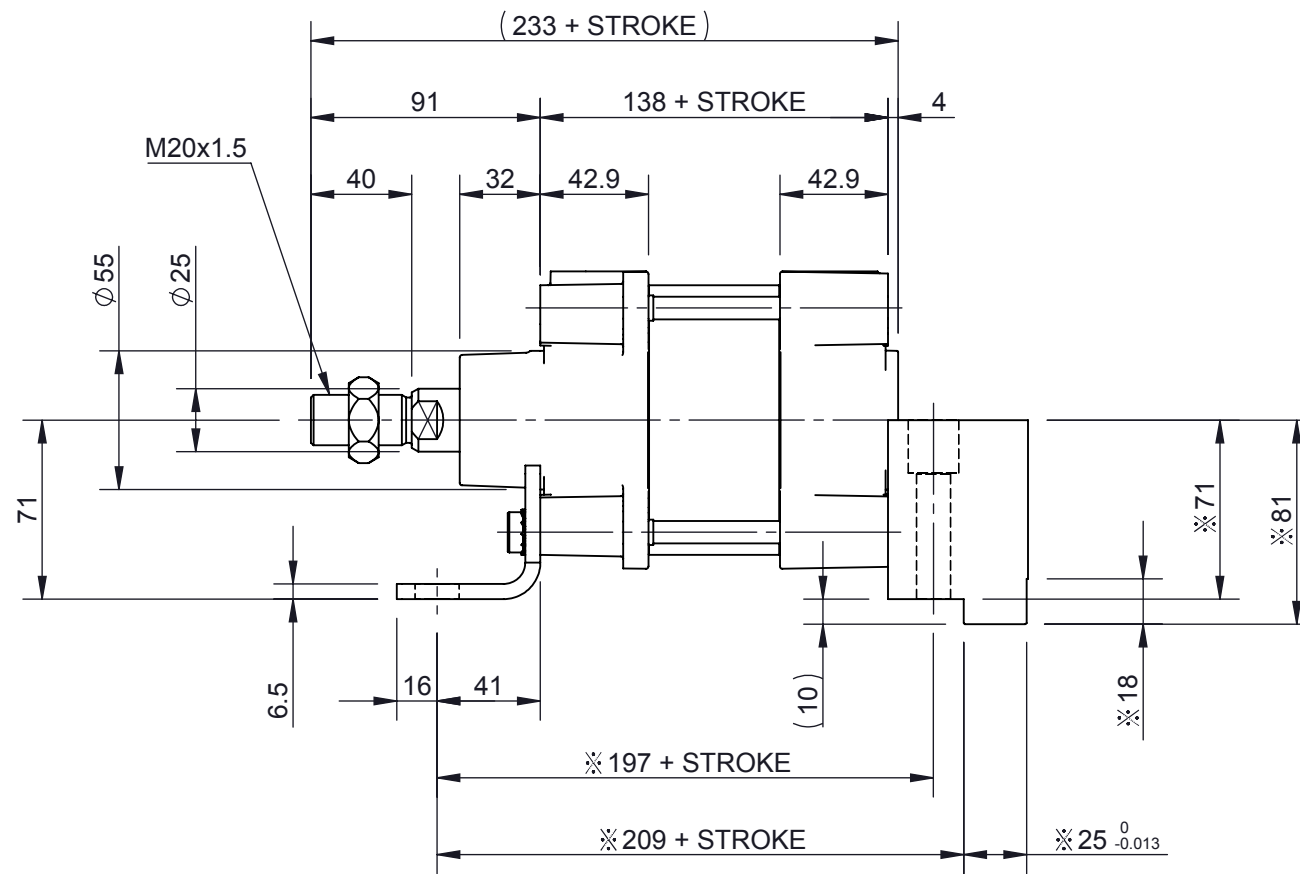


REV.	ZONE	ECN	DESCRIPTION	DATE	BY
------	------	-----	-------------	------	----



**NOTES (UNLESS OTHERWISE SPECIFIED)**

1. ALL DIMENSIONS ARE IN MILLIMETERS.
2. ※ DESIGNATES DEVIATION FROM SMC STANDARD.
3. THIS DRAWING IS STROKE INDEPENDENT. WHEN ORDERING REPLACE "###" WITH STROKE IN MILLIMETERS.



<i>SPECIFICATIONS: ACTUATOR</i>	
CYLINDER SERIES	C96-C
FLUID	AIR
ACTION	DOUBLE ACTING, SINGLE ROD
BORE	100mm
STROKE	INDEPENDENT
STROKE TOLERANCE	0~500: $^{+2.0}_0$ , 501~1000: $^{+2.4}_0$ , 1001~1500: $^{+2.8}_0$ , 1501~2000: $^{+3.2}_0$
MIN. OP. PRESSURE	0.05 MPa
MAX. OP. PRESSURE	1.0 MPa
OPERATING TEMP.	-10~60 °C
PISTON VELOCITY	50~1000mm/sec
CUSHION	AIR + BUMPER, BOTH ENDS
INTERNAL LUBRICATION	NOT REQUIRED
MOUNTING	※ SPECIAL FOOT BRACKETS
OPTION 1	※ BOLTS WITH LOCK WASHERS
OPTION 2	AUTO SWITCH CAPABLE

UNITS mm		SCALE FREE	<b>SMC Corporation of America</b>
DRAWN BY M. WONDERGEM	DATE 11/8/2017	THIS DRAWING CONTAINS CONFIDENTIAL INFORMATION PROPRIETARY TO SMC CORPORATION OF AMERICA. IT MUST NOT BE REPRODUCED OR DISCLOSED TO OTHERS OR USED IN ANY OTHER WAY, IN PART OR IN WHOLE, EXCEPT AS AUTHORIZED IN WRITING BY SMC CORPORATION OF AMERICA.	
APPROVED BY <b>REFER TO EDM SYSTEM</b>	DESCRIPTION C96C CUSTOM CYLINDER	DRAWING/PART No. SHEET 1 OF 1 REVISION	
<b>PRINTED DOCUMENTS ARE UNCONTROLLED</b> REFER TO EDM SYSTEM FOR CONTROLLED DOCUMENT	C96SDL100-###-DUV02438	0	
CAD FILE C96SDL100-###-DUV02438	SIZE B	REFERENCE NUMBER: US125863	