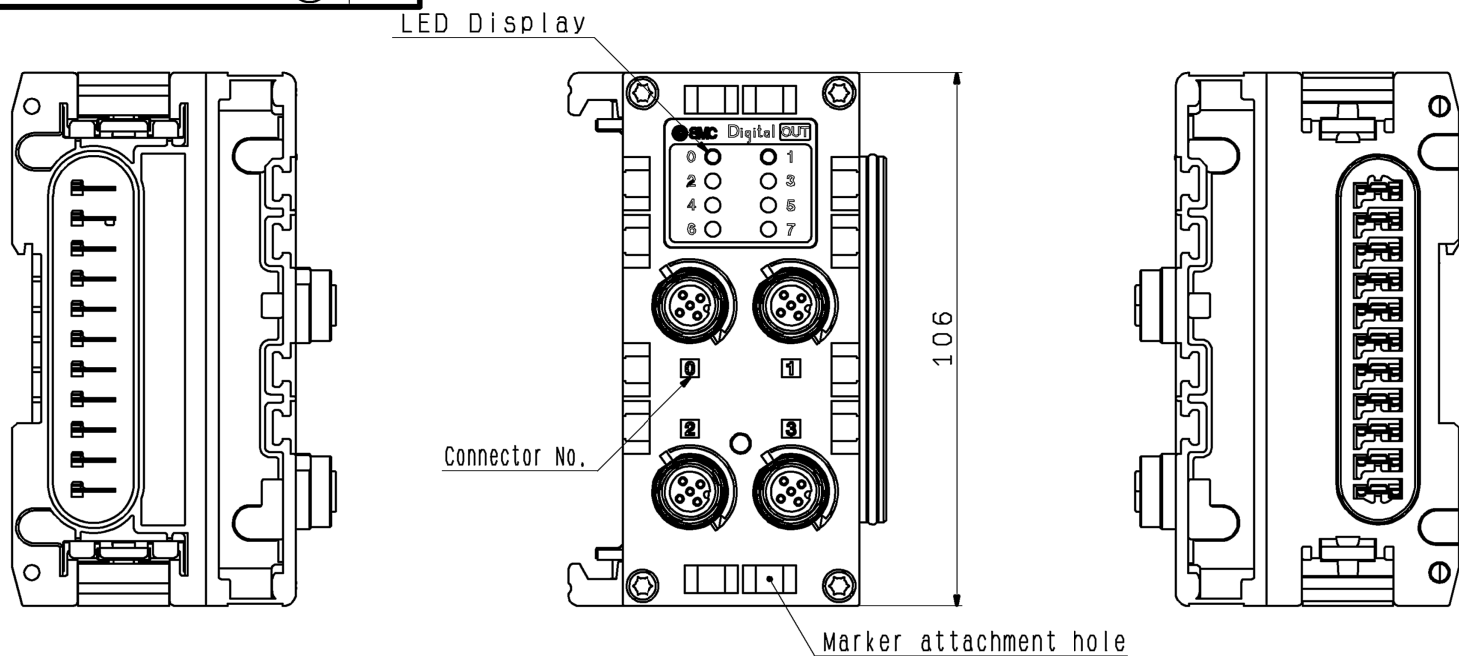
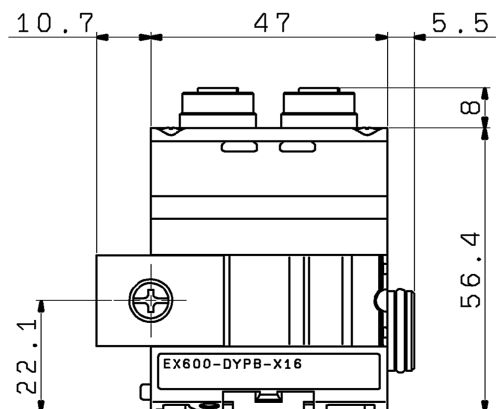


▽ EX600-DYPB-X16 (C) ON 9MO



Output signal layout

Output signal No.	LED Display	Connector No.	Pin No.
0	0	0	4
1	1	0	2
2	2	1	4
3	3	1	2
4	4	2	4
5	5	2	2
6	6	3	4
7	7	3	2



Electric specifications

Item	Specifications
Power supply for output	24VDC(dependent on 24V_D)
Max.output supply current	0.5A/connector 2A/unit
Internal current consumption at 24V	50mA or less
Current protection	Short-circuit protection/over current protection

Output specifications

Item	Specifications
Output channels	8 channels
Output type	PNP(-COM)
Connector type	4 M12 sockets,5 pins

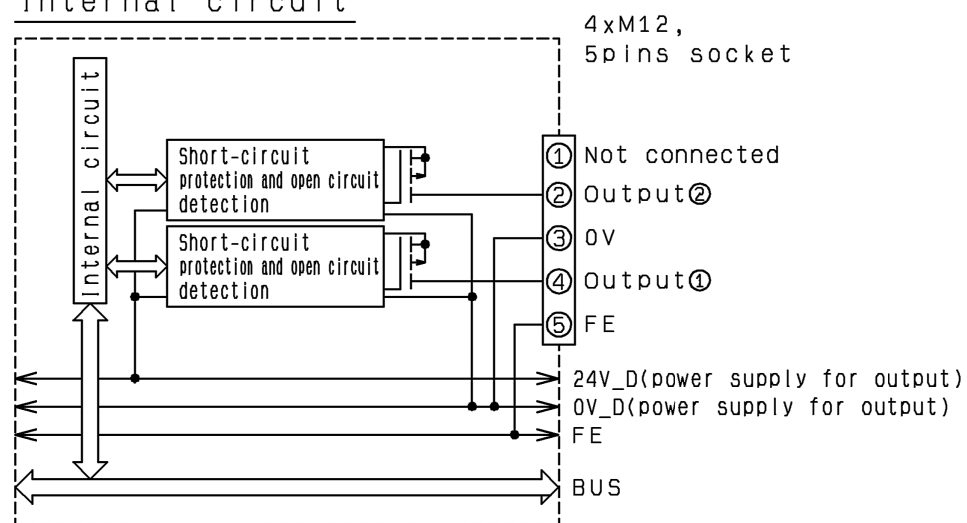
General specifications

Item	Specifications
Enclosure	IP67(combination with valve manifold)
Withstand voltage	500VAC 1min.(between FE and external terminal block.)
Insulation resistance	10MΩ or more(500VDC,between FE and external terminal block.)
Ambient temperature	Operating:-10 to +50℃ Storage:-20 to +60℃
Ambient humidity	35%~85%RH(no dew concentration.)
Vibration resistance	10Hz~57Hz(constant amplitude)0.75mm P-P 57Hz~150Hz(constant acceleration)49m/s ² X,Y and Z directions for 2 hours each. (without energizing)
Impact resistance	147m/s ² in directions for 3 times each. (without energizing)
Standards	UL(CSA),CE marked

LED display

Display	Indicator light condition	Status
0 to 7	Light is turned off	Power is OFF or output device is OFF.
	Green light is turned on	Output device is ON.
	Red light blinks	Output device contact operation counts exceeded the set value or output device not connected.
	Red light is turned on	Output short-circuit or output overcurrent.
	Red/Green lights is alternately blinks	Internal element is damaged.

Internal circuit



Output connector

Pin no.	Description	M12,5pins,socket
1	Not connected	1
2	Output②	2
3	0V	5
4	Output①	4
5	FE	3

Special specification

1.Compatible with EX600-SEN5-X16.

*Unless otherwise noted along with a separate contract or agreement within the Product Specifications, the safety instructions specified in the product catalog or the operation manual are applied. Please contact your local SMC Sales office for further details.

REV	QTY	DESCRIPTION	DATE PREPARED	REV NO	MATERIAL	MODEL	QTY
0	-	First edition	2017-06-14	T.Shiba	-	-	-
TOLERANCES JIS B 0405				DRAWN M.Koiso		SCALE	
RANGE (mm)				DATE		1 : 1	
0.5<D≤3				DESIGNED T.Shiba		DWG NAME	
3<D≤6				DATE		Digital output unit	
6<D≤30				CHECKED M.Okamoto		DWG NO	
30<D≤120				DATE		© EX600-DYPB-X16	
120<D≤400				APPROVED M.Seo		REVISION	
400<D≤1000				DATE		△	
1000<D≤2000				DATE		G	