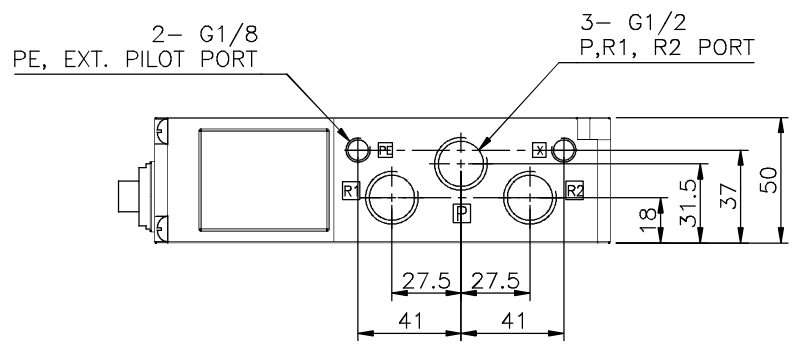
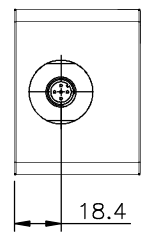
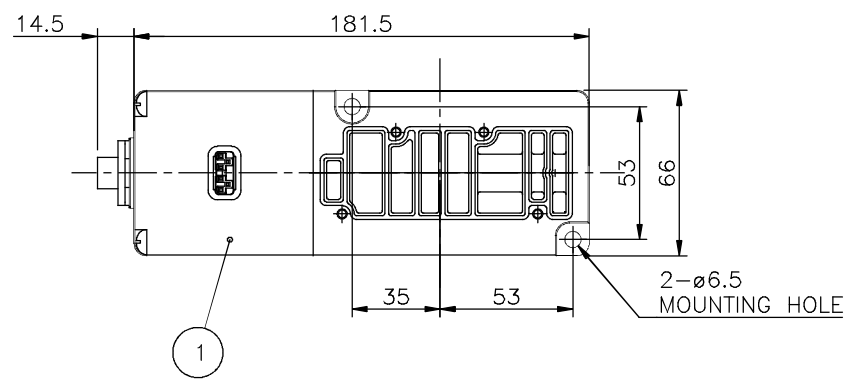
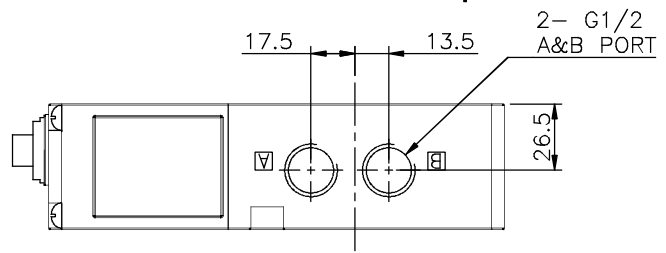
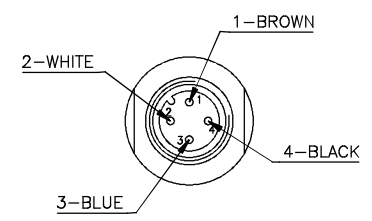


REV	ECN	DESCRIPTION	DATE	BY	APP
0	-	RELEASED	-	-	-
1	-	CHG. TO G THREAD SUBPLATE.	7/19/06	CT	LL
2	-	ADD WIRE COLOR	11/2/06	HT	LL
3	-	CORRECT ELECTRICAL PIN-OUT.	5/24/07	CT	LL
4	-	VQ5000-C01-PW-DAK00315 WAS BR4006A18A120. ADDED NOTES 3.	7/20/11	TNT	LL
5	US47108-F	MOVED VQ5000-PW-04F INTO VQ5000-C01-PW-DAK00315 TO SIMPLIFY ASSY PROCESS.	3/24/14	TP	LL

ELECTRICAL SCHEMATIC.

PIN NO.	VALVE	COLOR
1	-	BROWN
2	SOL. B	WHITE
3	COM.	BLUE
4	SOL. A	BLACK



- NOTES: (UNLESS OTHERWISE SPECIFIED)
1. ALL DIMENSIONS ARE IN MILLIMETERS.
 2. ALL DIMENSIONS ARE FOR REFERENCE USE ONLY.
 3. TEST FOR CONTINUITY (<4 ohms) AND ISOLATION.
 4. USE LOCTITE # 425 ONTO CONNECTOR THREAD.

1	VQ5000-C01-PW-DAK00315	WIRING/CONNECTOR SPL.	1
ITEM No.	PART No.	PART NAME	QTY
UNITS mm		SCALE 1:2	SMC Corporation of America
BY C. Thirapanish	DATE 6/1/06	THIS DRAWING CONTAINS CONFIDENTIAL INFORMATION PROPRIETARY TO SMC CORPORATION OF AMERICA. IT MUST NOT BE REPRODUCED OR DISCLOSED TO OTHERS OR USED IN ANY OTHER WAY, IN PART OR IN WHOLE, EXCEPT AS AUTHORIZED IN WRITING BY SMC CORPORATION OF AMERICA.	
CHECKED -	DATE -	DESCRIPTION VQ5000 SUB PLATE BRAD HARRISON CONNECTOR	
APPROVED LLY	DATE 6/6/06	DRAWING/PART No.	REVISION
CAD FILE VQ5000-PW-DAK00315	SIZE B	VQ5000-PW-DAK00315	
REFERENCE NUMBER US47108-E			

IN5077