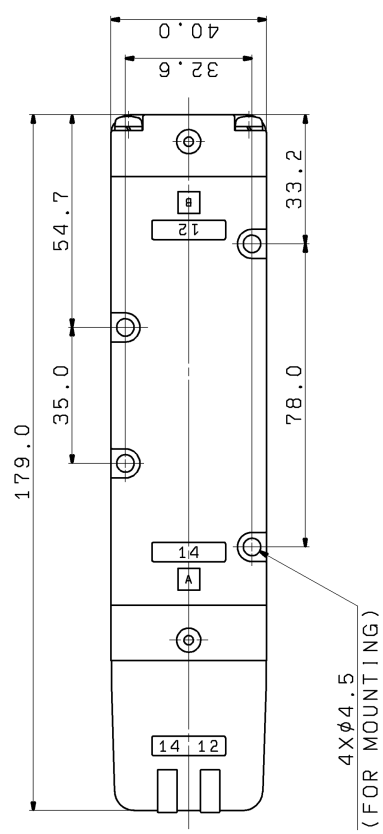
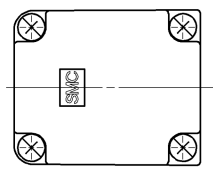
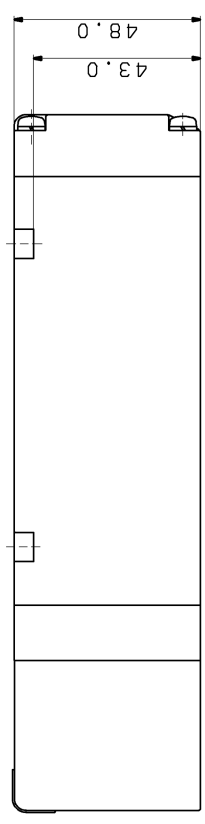


ON SMD



4Xφ4.5
(FOR MOUNTING)



RATED VOLTAGE:24VDC

SPECIAL REQUIREMENT

1. THREE POSITION, EXHAUST CENTER VALVE
2. (B) SIDE DETENTED
2. WITH SPECIAL LABEL

NOTES

1. FOR DETAILS OF THE PRODUCT SPECIFICATIONS, PLEASE REFER TO THE STANDARD CATALOG.
2. DIMENSIONS ARE IN MILLIMETERS.
3. UNLESS OTHERWISE NOTED ALONG WITH A SEPARATE CONTRACT OR AGREEMENT WITHIN THE PRODUCT SPECIFICATIONS, THE SAFETY INSTRUCTIONS SPECIFIED IN THE PRODUCT CATALOG ARE APPLIED. PLEASE CONTACT YOUR LOCAL SMC SALES OFFICE FOR FURTHER DETAILS.
4. CE MARKED PRODUCT.
[THE RELEVANT TCF IS AVAILABLE AS]
[STANDARD PRODUCT SERIES.]

SYMBOL

(A) 4 2 (B)



(R1) 5 1 3 (R2)

(P)

FINISH: 表面仕上 / PAINT: 塗装 / MASS: 質量
PACKING: 包装仕上 / MATERIAL: 材質
MATERIAL SIZE: 材料寸法

REQUALITY	DESCRIPTION	DATE PREPARED	REV. NO.	FINISH
TOLERANCES JIS B 0405	DRAWN M. USHIJI	SCALE	FREE	PAINT
RANGE (mm)	DATE 2017-11-21	DESIGNED K. MATSUDA	DWG NAME	MASS
0.50/0.3	DATE 2017-11-21	CHECKED R. KANEKO	DWG NO	PACKING
3-0.06	DATE 2017-11-21	APPROVED ISSUMIYOSHI	5 PORT SOLENOID VALVE	MATERIAL
6-0.0630	DATE 2017-11-21	DATE 2017-11-21	REV. NO	MATERIAL SIZE
30-0.06120	DATE 2017-11-21	DATE 2017-11-21	① VQC5401-51-X561	THIRD ANGLE
120-0.06400	DATE 2017-11-21	DATE 2017-11-21	DWG NO	MODEL
400-0.061000	DATE 2017-11-21	DATE 2017-11-21	① VQC5401-51-X561	REVISION
1000-0.062000	DATE 2017-11-21	DATE 2017-11-21	DWG NO	ANGLE

DWG NAME PILOT VALVE:V100 SERIES

VQC5000V - PMV5011

DWG NO BA51132701

SMC Corporation