

Digital Pressure Sensor Series GS40

Multiple features

Pressure sensor and switch in one compact body; Economical use of space; Simplified operation; Combined functions.

Pressure switch with digital display and self-contained solid state sensor

Minimum allowable pressure indicator on digital display

Set pressure display

- SET....Push button
Normally, the LCD displays line pressure. When the SET button is pressed the set pressure is displayed. At this time, the user is capable of determining the difference between the line and set pressure.

Double alarm display

When LINE pressure is within 10% of the current minimum allowable setting, the ARROW at the lower left corner of the LCD flashes.

Fault alarm indicator light

- ALM....Alarm LED
When pressure drops below the current minimum allowable, this red LED illuminates.

Simplified pressure setting

- Push button: If the SET is pressed, set pressure will be displayed digitally, enabling to set pressure over looking at it visually.

A variety of installation options

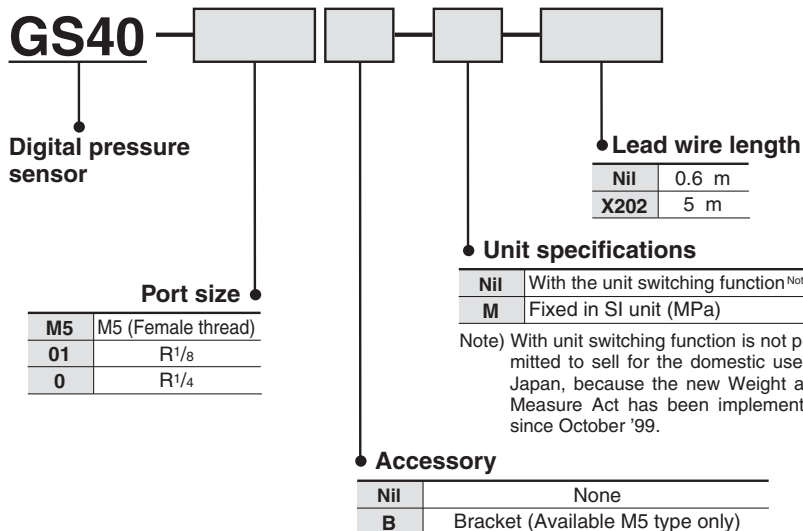
Screw included.....M5, R 1/8, R 1/4
Mounting bracket.... M5 type only



Specifications

Model	GS40-M5	GS40-01	GS40-02
Fluid	Air/Inert gas		
Hysteresis	3% F.S. (Full span) or less		
Accuracy	±3% F.S. (5 to 40°C), ±5% F.S. (-5 to 60°C)		
Voltage	12 to 24 VDC (Ripple ±10% or less)		
Output	Open collector 30 V, 80 mA or less		
Operating display	Light turns ON when pressure drops below the set minimum.		
Current consumption	15 mA (24 VDC when ON) or less		
Max. operating pressure	0.98 MPa		
Operating temperature range	-5 to 60°C (No freezing)		
Sampling frequency	4 Hz		
Port size	M5 x 0.8 (Female thread)	R 1/8	R 1/4
Weight (g)	42	54	57

How to Order



F.R.L.

AV

AU

AF

AR

IR

VEX

AMR

ITV

IC

VBA

VE□

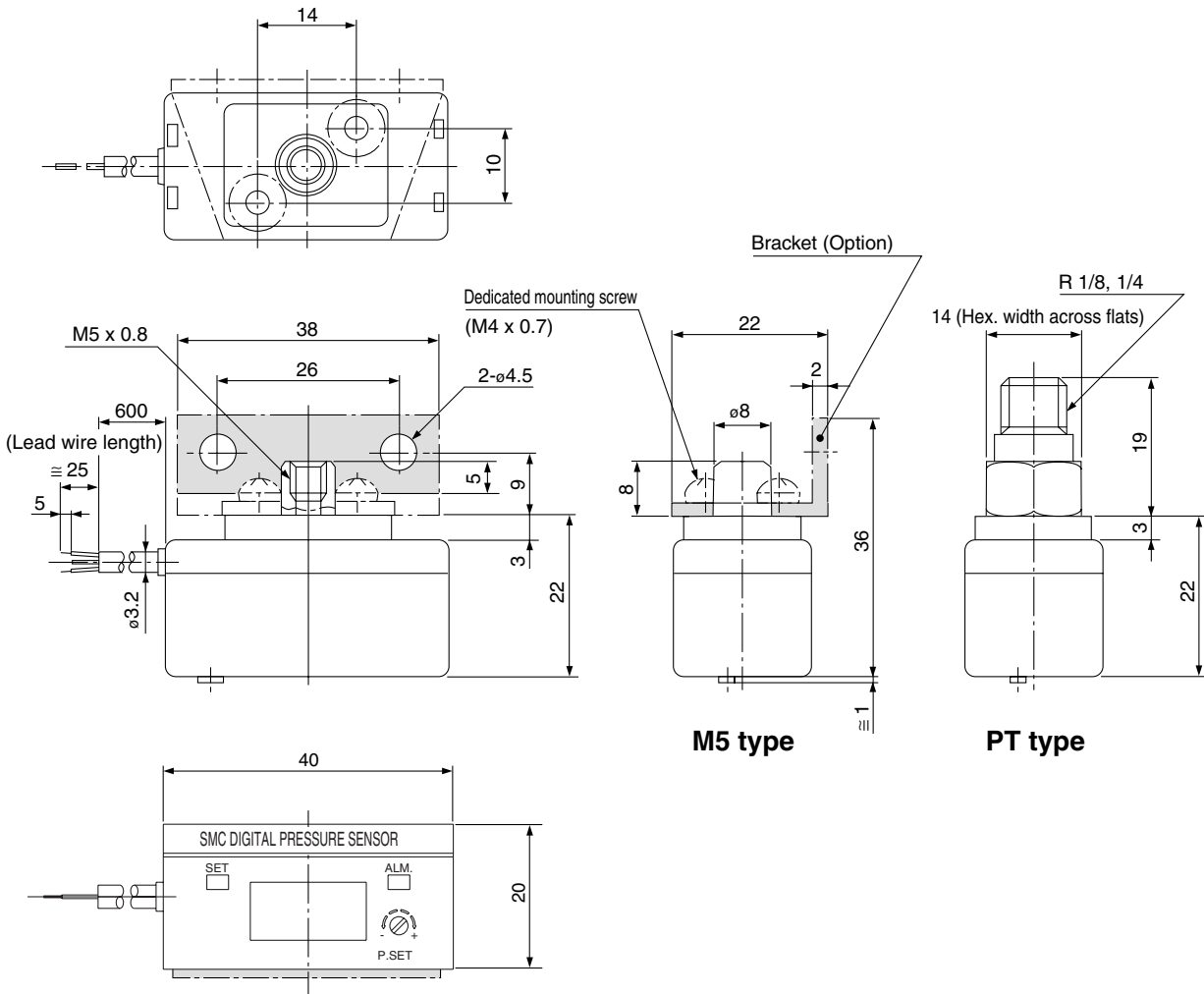
VY1

G

PPA

AL

Dimensions



F.R.L.

AV

AU

AF

AR

IR

VEX

AMR

ITV

IC

VBA

VE□

VY1

G

PPA

AL