

Aluminum High Vacuum Angle Valve

RoHS

XL□ Series

- Lightweight, compact
- High fluorine resistance
- Minimal outgassing
- Minimal contamination from heavy metals



Series Variations

Series	Type	Flange size
XLA XLAV	Air operated	100-160
XLC		(80) ^{Note)} -100-160
XLF XLFV		100-160
XLG		25-40-50-63-80-100-160
XLD XLDV		16-25-40-50
XLH	Manual	16-25
XLS	Electromagnetic	16-25

Note) Only compatible with made-to-order products with a bypass valve

High Vacuum Angle Valves

Actuation	Application	Shaft seal system	Model	Valve type	Operating pressure (Pa) (abs)	Leakage (Pa·m ³ /s) (He)		Flange size								Option			Page			
						Internal ^{Note)}	External ^{Note)}	16	25	40	50	63	80	100	160	Switch	Heater	Indicator		High temperature spec.		
Air operated	Particle free cleaned	Bellows seal	XLA	Single acting (N.C.)	10 ⁻⁶ to atmospheric pressure	10 ⁻¹⁰	10 ⁻¹¹							●	●	●	●	●	●	p. 35 to p. 40		
			XLAV (With solenoid valves)																			
			XLC	Double acting																		
	High speed operation High volume operation	O-ring seal	XLF	Single acting (N.C.)	10 ⁻⁵ to atmospheric pressure	10 ⁻¹⁰	10 ⁻¹⁰														p. 49 to p. 58	
			XLFV (With solenoid valves)																			
			XLG	Double acting																		
Prevents turbulence of particulates. Prevents a pump from running overloaded.	Bellows seal O-ring seal	XLD	Single acting (N.C.)	10 ⁻⁶ to atmospheric pressure	10 ⁻¹⁰	10 ⁻¹¹			●	●	●	●	●	●	●	●	●	●	●	p. 69 to p. 74		
		XLDV (With solenoid valves)																				
Manual	Particle free cleaned	Bellows seal	XLH				Manual	10 ⁻⁶ to atmospheric pressure	10 ⁻¹⁰	10 ⁻¹¹	●	●	●	●								
Electromagnetic	For portable equipment not requiring air	(Bellows balance)	XLS	Single acting (N.C.)	10 ⁻⁶ to 0.1 MPa (G)	10 ⁻⁸	10 ⁻¹¹	●	●												p. 77 to p. 79	

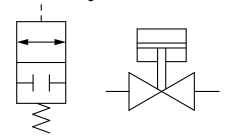
Note) In case of standard seal material (FKM)

* Heater and high temperature specifications are not available with switches.

Aluminum High Vacuum Angle Valve Normally Closed/Bellows Seal **XLA/XLAV Series**

RoHS

Symbol



How to Order

XLA - **100** - **M9N** **A** - **1**

① ② ③ ④ ⑤ ⑥ ⑦

Made to Order

Made to Order specifications
(For details, refer to pages 39, 40)

① Flange size

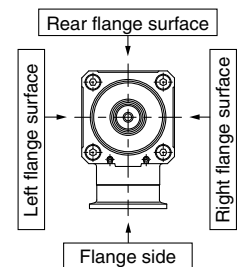
Size
100
160

② Flange type

Symbol	Type
Nil	KF (NW)
D	K (DN)

③ Indicator/Pilot port direction

Symbol	Indicator	Pilot port direction
Nil	Without indicator	Flange side
A	With indicator	Flange side
F		Left flange surface
G		Rear flange surface
J		Right flange surface
K	Without indicator	Left flange surface
L		Rear flange surface
M		Right flange surface



④ Temperature specifications/Heater

Symbol	Temperature	Heater
Nil	5 to 60°C	—
High temperature type	H0	—
	H4	With 100°C heater
	H5	With 120°C heater

Note) Heater cannot be retrofitted for the H0 type.

⑤ Auto switch type

Symbol	Auto switch model	Remarks
Nil	—	Without auto switch (without built-in magnet)
M9N(M)(L)(Z)	D-M9N(M)(L)(Z)	Solid state auto switch
M9P(M)(L)(Z)	D-M9P(M)(L)(Z)	
M9B(M)(L)(Z)	D-M9B(M)(L)(Z)	
A90(L)	D-A90(L)	Reed auto switch
A93(M)(L)(Z)	D-A93(M)(L)(Z)	
M9//	—	Without auto switch (with built-in magnet)

Note 1) Auto switches shown above cannot be mounted on the high temperature type. For the high temperature type, a semi-standard product that uses the heat resistant auto switch D-F7NJ* is available. For details, please contact SMC.

Note 2) Standard lead wire length is 0.5 m. Add "L" to the end of the part number when 3 m is desired, "M" when 1 m, and "Z" when 5 m.

Example) -M9NL

⑥ Number of auto switches/Mounting position

Symbol	Quantity	Mounting position
Nil	Without auto switch	—
A	2 pcs.	Valve open/closed
B	1 pc.	Valve open
C	1 pc.	Valve closed

⑦ Body surface treatment/Seal material and its changed part

• Body surface treatment

Symbol	Surface treatment
Nil	External: Hard anodized Internal: Raw material
A	External: Hard anodized Internal: Oxalic acid anodized

• Seal material

Symbol	Seal material	Compound No.
Nil	FKM	1349-80*
N1	EPDM	2101-80*
P1	Barrel Perfluoro®	70W
Q1	Kalrez®	4079
R1	Chemraz®	SS592
R3		SSE38
S1	VMQ	1232-70*
T1	FKM for Plasma	3310-75*
U1	ULTIC ARMOR®	UA4640
F1	FKM	—**

* Produced by Mitsubishi Cable Industries, Ltd.

** Same specifications as the standard FKM type

• Seal material changed part and leakage

Symbol	Changed part ^{Note 2)}	Leakage (Pa·m ³ /s(He) or less) ^{Note 1)}	
		Internal	External
Nil	None	1.3 x 10 ⁻¹⁰ (FKM)	1.3 x 10 ⁻¹¹ (FKM)
A	②, ③	1.3 x 10 ⁻⁸	1.3 x 10 ⁻⁹
B	②	1.3 x 10 ⁻⁸	1.3 x 10 ⁻¹¹ (FKM)
C	③	1.3 x 10 ⁻¹⁰ (FKM)	1.3 x 10 ⁻⁹

Note 1) Values at normal temperature, excluding gas permeation.

Note 2) Refer to parts number of "Construction" on page 37 for changed part. Number indicates parts number of "Construction" accordingly.

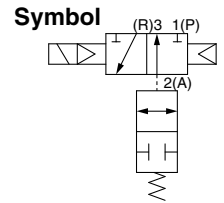
Note 3) For option "F1," only "A" can be selected. The leakage amount is the same as that of "Nil" (standard FKM type).

To order something other than "Nil" (standard), list the symbols starting with "X," followed by each symbol for "body surface treatment," "seal material" and then "changed part".

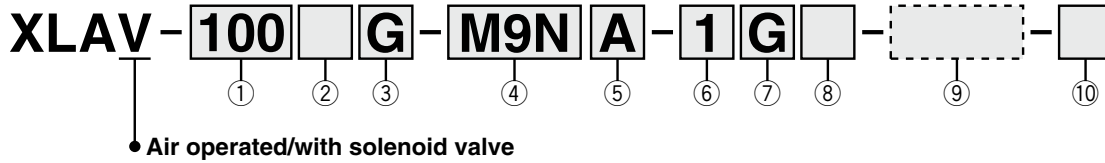
Example) XLA-100-M9NA-XAN1A

Barrel Perfluoro® is a registered trademark of Matsumura Oil Co., Ltd.
Kalrez® is a registered trademark of E. I. du Pont de Nemours and Company or its affiliates.
Chemraz® is a registered trademark of Greene, Tweed Technologies, Inc.
ULTIC ARMOR® is a registered trademark of VALQUA, LTD.

Air Operated/with Solenoid Valve



How to Order



① Flange size

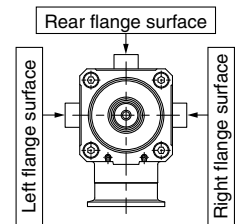
Size
100
160

② Flange type

Symbol	Type
Nil	KF (NW)
D	K (DN)

③ Indicator/Pilot port direction

Symbol	Indicator	Pilot port direction
F	With indicator	Left flange surface
G		Rear flange surface
J		Right flange surface
K	Without indicator	Left flange surface
L		Rear flange surface
M		Right flange surface



④ Auto switch type

Symbol	Auto switch model	Remarks
Nil	—	Without auto switch (without built-in magnet)
M9N(M)(L)(Z)	D-M9N(M)(L)(Z)	Solid state auto switch
M9P(M)(L)(Z)	D-M9P(M)(L)(Z)	
M9B(M)(L)(Z)	D-M9B(M)(L)(Z)	
A90(L)	D-A90(L)	Reed auto switch
A93(M)(L)(Z)	D-A93(M)(L)(Z)	
M9//	—	Without auto switch (with built-in magnet)

Standard lead wire length is 0.5 m. Add "L" to the end of the part number when 3 m is desired, "M" when 1 m, and "Z" when 5 m.

Example) -M9N_L

⑤ Number of auto switches/Mounting position

Symbol	Quantity	Mounting position
Nil	Without auto switch	—
A	2 pcs.	Valve open/closed
B	1 pc.	Valve open
C	1 pc.	Valve closed

⑥ Rated voltage

		CE/UKCA-compliant
1	100 VAC, 50/60 Hz	—
2	200 VAC, 50/60 Hz	—
3	110 VAC, 50/60 Hz	—
4	220 VAC, 50/60 Hz	—
5	24 VDC	○
6	12 VDC	○

⑦ Electrical entry

G	Grommet (Lead wire length 300 mm)
H	Grommet (Lead wire length 600 mm)
L	L type plug connector
M	M type plug connector

⑧ Light/Surge voltage suppressor

Nil	None
S	With surge voltage suppressor
Z	With light/surge voltage suppressor
U	With light/surge voltage suppressor (Non-polar type)

* S type: Not available for AC.

* U type: DC only.

⑩ CE/UKCA-compliant

Nil	—
Q	CE/UKCA-compliant

⑨ Body surface treatment/Seal material and its changed part

• Body surface treatment	
Symbol	Surface treatment
Nil	External: Hard anodized Internal: Raw material
A	External: Hard anodized Internal: Oxalic acid anodized

• Seal material		
Symbol	Seal material	Compound No.
Nil	FKM	1349-80*
N1	EPDM	2101-80*
P1	Barrel Perfluoro®	70W
Q1	Kalrez®	4079
R1	Chemraz®	SS592
R3		SSE38
S1	VMQ	1232-70*
T1	FKM for Plasma	3310-75*
U1	ULTIC ARMOR®	UA4640
F1	FKM	—**

* Produced by Mitsubishi Cable Industries, Ltd.
** Same specifications as the standard FKM type

• Seal material changed part and leakage			
Symbol	Changed part ^{Note 2)}	Leakage (Pa · m ³ /s(He) or less) ^{Note 1)}	
		Internal	External
Nil	None	1.3 x 10 ⁻¹⁰ (FKM)	1.3 x 10 ⁻¹¹ (FKM)
A	②, ③	1.3 x 10 ⁻⁸	1.3 x 10 ⁻⁹
B	②	1.3 x 10 ⁻⁸	1.3 x 10 ⁻¹¹ (FKM)
C	③	1.3 x 10 ⁻¹⁰ (FKM)	1.3 x 10 ⁻⁹

Note 1) Values at normal temperature, excluding gas permeation.

Note 2) Refer to parts number of "Construction" on page 37 for changed part. Number indicates parts number of "Construction" accordingly.

Note 3) For option "F1," only "A" can be selected. The leakage amount is the same as that of "Nil" (standard FKM type).

To order something other than "Nil" (standard), list the symbols starting with "X," followed by each symbol for "body surface treatment," "seal material" and then "changed part."

Example) XLAV-100-M9NA-1G-XAN1A

Note 1) Option specifications/Combinations

This model has indicator, auto switch and K(DN) flange options, but high temperature/heater options are not available.

Note 2) Solenoid valves

XLAV-100, 160: SYJ519

Example) SYJ319-1GS, etc.

* For option "Q," the solenoid valve should be a CE/UKCA-compliant product.

Barrel Perfluoro® is a registered trademark of Matsumura Oil Co., Ltd.
Kalrez® is a registered trademark of E. I. du Pont de Nemours and Company or its affiliates.

Chemraz® is a registered trademark of Greene, Tweed Technologies, Inc.
ULTIC ARMOR® is a registered trademark of VALQUA, LTD.

XLA/XLAV Series

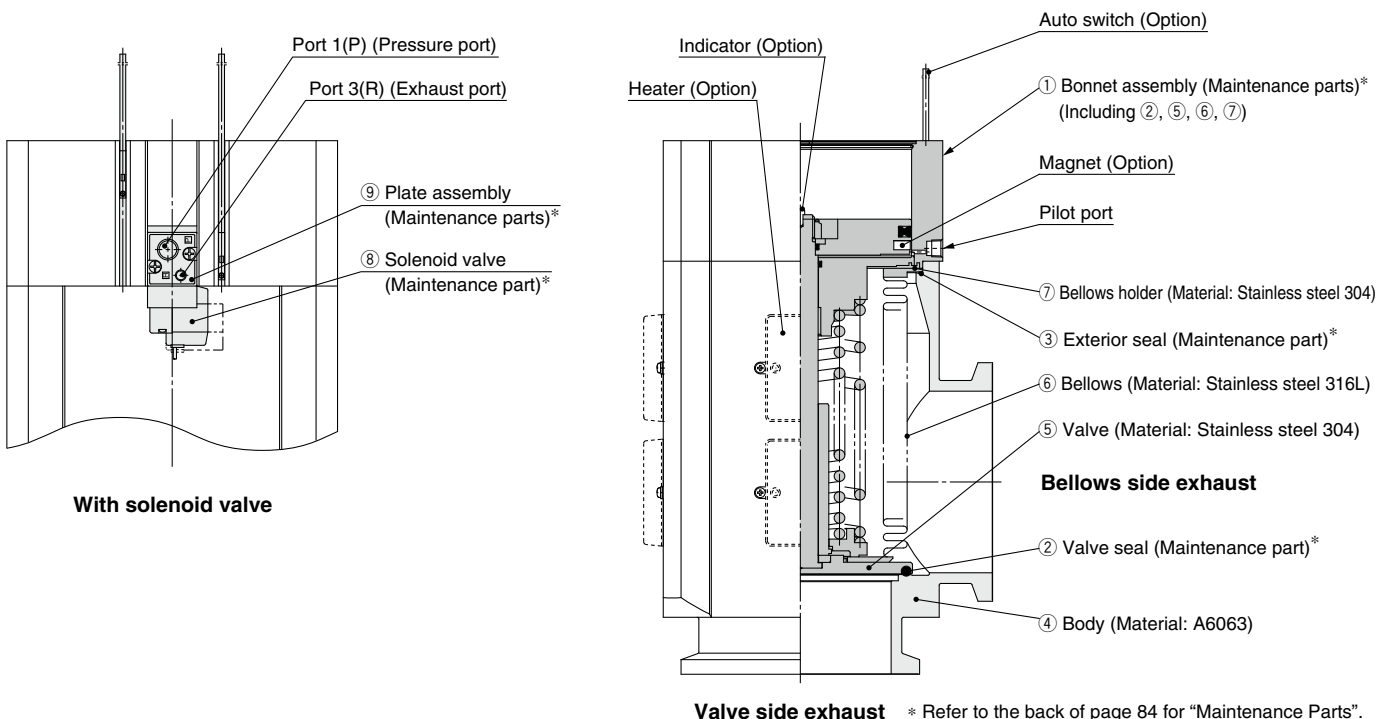
Specifications

Model		XLA(V)-100	XLA(V)-160
Valve type		Normally closed (Pressurize to open, Spring seal)	
Fluid		Inert gas under vacuum	
Operating temperature (°C)	XLA	5 to 60 (High temperature type: 5 to 150)	
	XLAV	5 to 50	
Operating pressure (Pa) (abs)		1 x 10 ⁻⁶ to atmospheric pressure	
Conductance (L/s) ^{Note 1)}		300	800
Leakage (Pa·m ³ /s) (He)	Internal	In case of standard material FKM: 1.3 x 10 ⁻¹⁰ at normal temperature, excluding gas permeation	
	External	In case of standard material FKM: 1.3 x 10 ⁻¹¹ at normal temperature, excluding gas permeation	
Flange type		KF (NW), K (DN)	
Principal materials		Body: Aluminum alloy, Bellows: Stainless steel 316L, Main part: Stainless steel, FKM (Standard seal material)	
Surface treatment		External: Hard anodized Internal: Raw material	
Pilot pressure (MPa) (G)		0.4 to 0.7	
Pilot port size	XLA	Rc1/8	Rc1/4
	XLAV	Rc1/8: Port 1(P), M5: Port 3(R)	
Weight (kg)	XLA	10.6	18.5
	XLAV	10.7	18.6

Note 1) Conductance is the value for an elbow with the same dimensions.

Note 2) For valve heater specifications, refer to "Common Option [1] Heater" on page 80.

Construction/Operation



Valve side exhaust * Refer to the back of page 84 for "Maintenance Parts".

<Working principle>

By applying the pilot pressure from the pilot port, the piston-coupled valve overcomes the spring force or operating force by pressure, and the valve opens.

For the XLAV, the pilot pressure is always applied to the port 1(P), and the valve opens when the solenoid valve is turned ON and closes when it is turned OFF.

<Options>

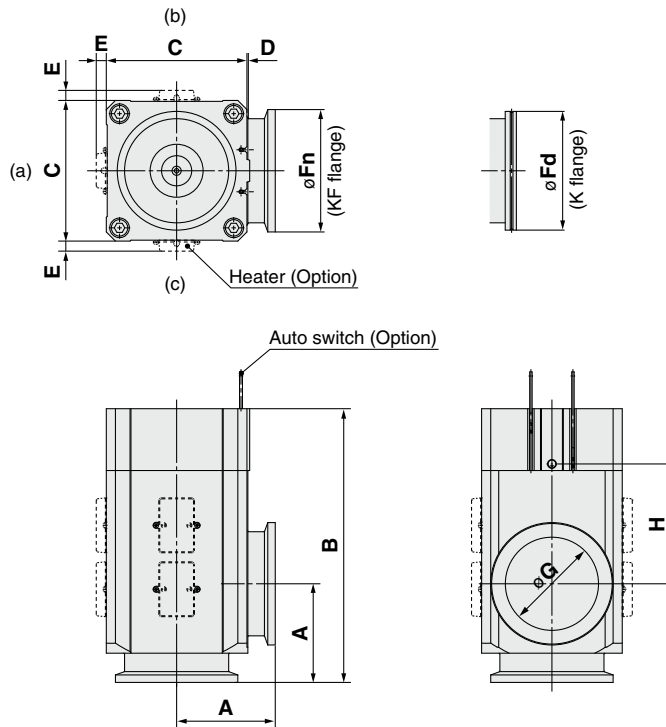
Auto switch: The magnet activates the auto switch. With 2 auto switches, the open and closed positions are detected, and with 1 auto switch, either the open or closed position is detected. Auto switches are applicable at ordinary temperatures only (5 to 60°C).

Heater: Simple heating is performed using thermistors. The valve body can be heated to approximately 100 or 120°C, depending on the heater option and the valve size. The type and number of thermistors to be used will vary depending upon size and setting temperature. In the case of high temperature specifications, the bonnet assembly is a heat resistant structure. This does not apply in cases where a solenoid valve is attached.

Indicator: When the valve is open, an orange marker appears in the center of the name plate.

Dimensions

XLA/Air operated



Model	A	B	C	D	E ^{Note 1)}	F _n	F _d	G	H
XLA-100	108	300	154	3	11	134	130	102	131
XLA-160	138	315	200	3	11	190	180	153	112

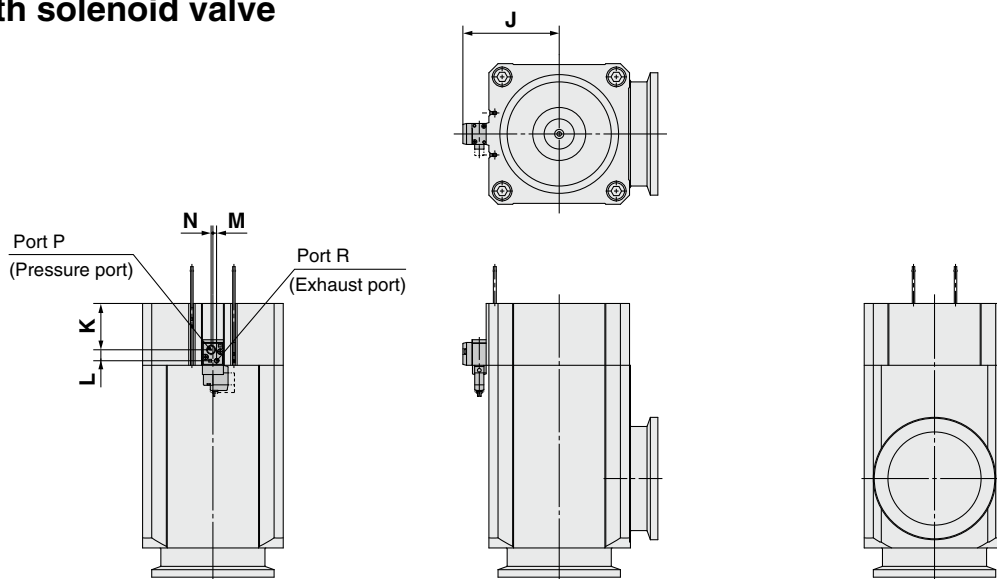
Note 1) Dimension E applies when heater option is included. (Lead wire length: approx. 1 m)

Note 2) (a), (b) and (c) in the above drawing indicate heater mounting positions.

Moreover, heater mounting positions will differ depending on the type of heater.

For details, refer to Common Option [2] Mounting position of the heater on page 80.

XLAV/With solenoid valve

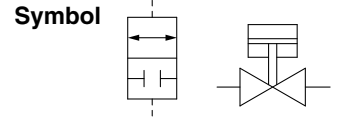


Model	J	K	L	M	N
XLAV-100	105.5	50.7	12	4	2
XLAV-160	128.5	57.7	12	4	2

* Other dimensions are the same as the XLA.

Aluminum High Vacuum Angle Valve Double Acting/Bellows Seal *XLC Series*

RoHS



Made to Order specifications
(For details, refer to pages 45, 46)

How to Order

XLC - **100** **□** **□** **□** - 1 **M9N** **A** - **□**

① ② ③ ④ ⑤ ⑥ ⑦

① Flange size

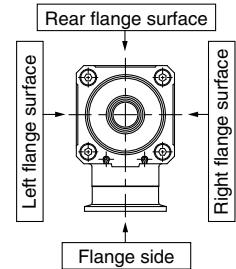
Size
100
160

② Flange type

Symbol	Type
Nil	KF (NW)
D	K (DN)

③ Pilot port direction

Symbol	Pilot port direction
Nil	Flange side
K	Left flange surface
L	Rear flange surface
M	Right flange surface



④ Temperature specifications/Heater

Symbol	Temperature	Heater
Nil	5 to 60°C	—
High temperature type	H0	—
	H4	With 100°C heater
	H5	With 120°C heater

Note) Heater cannot be retrofitted for the H0 type.

⑤ Auto switch type

Symbol	Auto switch model	Remarks
Nil	—	Without auto switch (without built-in magnet)
M9N(M)(L)(Z)	D-M9N(M)(L)(Z)	Solid state auto switch
M9P(M)(L)(Z)	D-M9P(M)(L)(Z)	
M9B(M)(L)(Z)	D-M9B(M)(L)(Z)	
A90(L)	D-A90(L)	Reed auto switch
A93(M)(L)(Z)	D-A93(M)(L)(Z)	
M9//	—	Without auto switch (with built-in magnet)

Note 1) Auto switches shown above cannot be mounted on the high temperature type. For the high temperature type, a semi-standard product that uses the heat resistant auto switch D-F7NJ* is available. For details, please contact SMC.

Note 2) Standard lead wire length is 0.5 m. Add "L" to the end of the part number when 3 m is desired, "M" when 1 m, and "Z" when 5 m.
Example) -M9NL

⑥ Number of auto switches/Mounting position

Symbol	Quantity	Mounting position
Nil	Without auto switch	—
A	2 pcs.	Valve open/closed
B	1 pc.	Valve open
C	1 pc.	Valve closed

⑦ Body surface treatment/Seal material and its changed part

• Body surface treatment

Symbol	Surface treatment
Nil	External: Hard anodized Internal: Raw material
A	External: Hard anodized Internal: Oxalic acid anodized

• Seal material

Symbol	Seal material	Compound No.
Nil	FKM	1349-80*
N1	EPDM	2101-80*
P1	Barrel Perfluoro®	70W
Q1	Kalrez®	4079
R1	Chemraz®	SS592
R3		SSE38
S1	VMQ	1232-70*
T1	FKM for Plasma	3310-75*
U1	ULTIC ARMOR®	UA4640
F1	FKM	—**

* Produced by Mitsubishi Cable Industries, Ltd.

** Same specifications as the standard FKM type

• Seal material changed part and leakage

Symbol	Changed part ^{Note 2)}	Leakage (Pa·m ³ /s(He) or less) ^{Note 1)}	
		Internal	External
Nil	None	1.3 x 10 ⁻¹⁰ (FKM)	1.3 x 10 ⁻¹¹ (FKM)
A	②, ③	1.3 x 10 ⁻⁸	1.3 x 10 ⁻⁹
B	②	1.3 x 10 ⁻⁸	1.3 x 10 ⁻¹¹ (FKM)
C	③	1.3 x 10 ⁻¹⁰ (FKM)	1.3 x 10 ⁻⁹

Note 1) Values at normal temperature, excluding gas permeation.

Note 2) Refer to parts number of "Construction" on page 42 for changed part. Number indicates parts number of "Construction" accordingly.

Note 3) For option "F1," only "A" can be selected. The leakage amount is the same as that of "Nil" (standard FKM type).

To order something other than "Nil" (standard), list the symbols starting with "X," followed by each symbol for "body surface treatment," "seal material" and then "changed part".

Example) XLC-100-M9NA-XAN1A

Barrel Perfluoro® is a registered trademark of Matsumura Oil Co., Ltd.
Kalrez® is a registered trademark of E. I. du Pont de Nemours and Company or its affiliates.
Chemraz® is a registered trademark of Greene, Tweed Technologies, Inc.
ULTIC ARMOR® is a registered trademark of VALQUA, LTD.

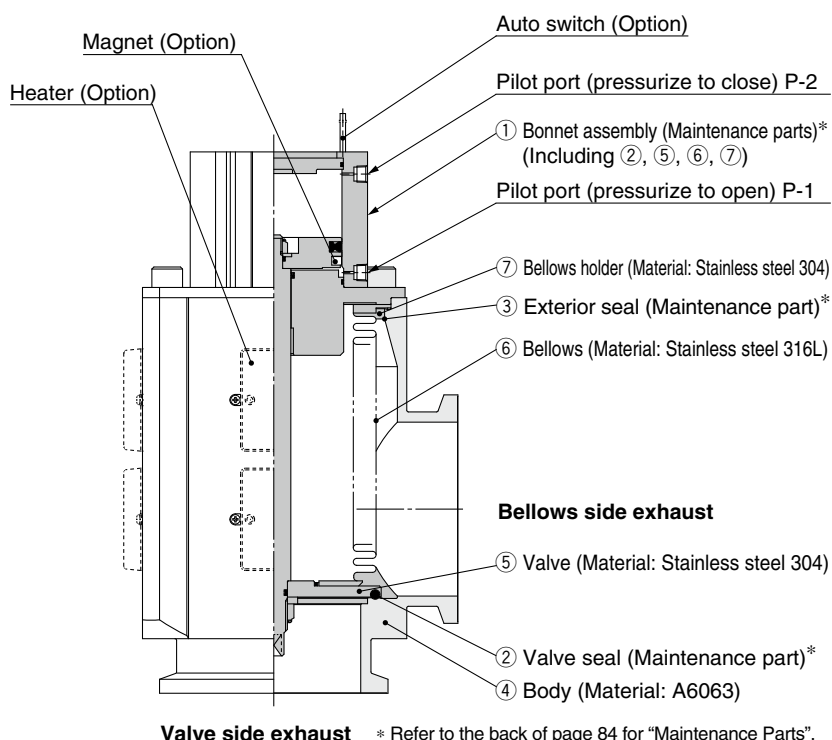
Specifications

Model		XLC-100	XLC-160
Valve type		Double acting (Dual operation), Pressurize to open/close	
Fluid		Inert gas under vacuum	
Operating temperature (°C)	XLC	5 to 60 (High temperature type: 5 to 150)	
Operating pressure (Pa) (abs)		1 x 10 ⁻⁶ to atmospheric pressure	
Conductance (L/s) ^{Note 1)}		300	800
Leakage (Pa·m ³ /s)	Internal	In case of standard material FKM: 1.3 x 10 ⁻¹⁰ at normal temperature, excluding gas permeation	
	External	In case of standard material FKM: 1.3 x 10 ⁻¹¹ at normal temperature, excluding gas permeation	
Flange type		KF(NW), K(DN)	
Principal materials		Body: Aluminum alloy, Bellows: Stainless steel 316L, Main part: Stainless steel, FKM (Standard seal material)	
Surface treatment		External: Hard anodized Internal: Raw material	
Pilot pressure (MPa) (G)		0.4 to 0.6	
Pilot port size	XLC	Rc1/8	Rc1/4
Weight (kg)	XLC	8.7	14.5

Note 1) Conductance is the value for an elbow with the same dimensions.

Note 2) For valve heater specifications, refer to "Common Option [1] Heater" on page 80.

Construction/Operation



<Options>

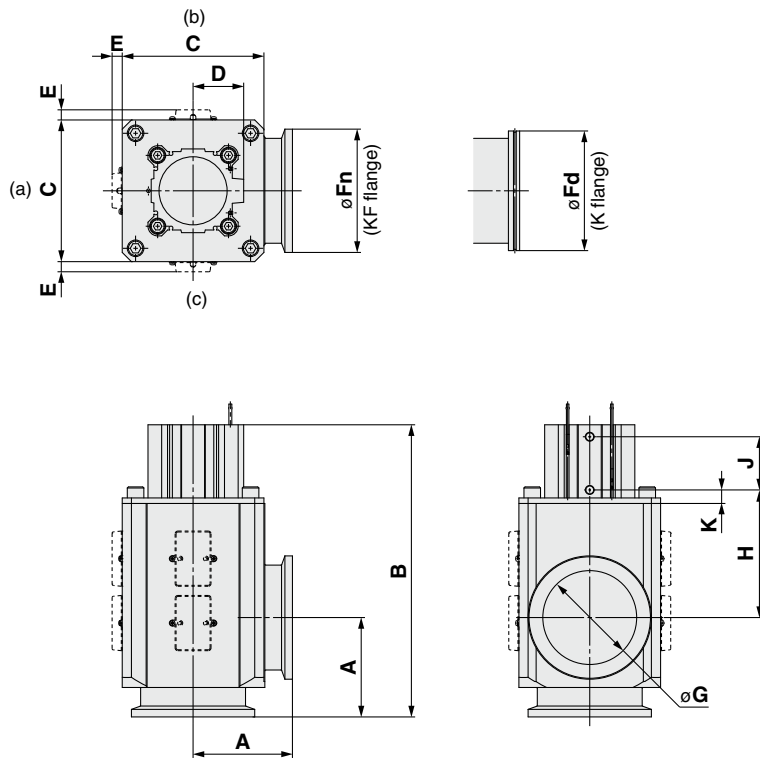
Auto switch: The magnet activates the auto switch. With 2 auto switches, the open and closed positions are detected, and with 1 auto switch, either the open or closed position is detected. Auto switches are applicable at ordinary temperatures only (5 to 60°C).

Heater : Simple heating is performed using thermistors. The valve body can be heated to approximately 100 or 120°C, depending on the heater option and the valve size. The type and number of thermistors to be used will vary depending upon size and setting temperature. In the case of high temperature specifications, the bonnet assembly is a heat resistant structure. This does not apply in cases where a solenoid valve is attached.

XLC Series

Dimensions

XLC100, 160/ Air operated



Model	A	B	C	D	E Note 1)	F _n	F _d	G	H	J	K
XLC-100	108	317.5	154	55	11	134	130	102	139	58	9
XLC-160	138	339	200	65	11	190	180	153	124	62	12.5

Note 1) Dimension E applies when heater option is included. (Lead wire length: approx. 1 m)

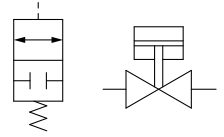
Note 2) (a), (b) and (c) in the above drawing indicate heater mounting positions. Moreover, heater mounting positions will differ depending on the type of heater.

For details, refer to Common Option [2] Mounting position of the heater on page 80.

Aluminum High Vacuum Angle Valve Normally Closed/O-ring Seal **XLF/XLFBV Series**

RoHS

Symbol



How to Order

XLF - **100** **□** **□** **□** - **M9N** **A** - **□**

① ② ③ ④ ⑤ ⑥ ⑦

Made to Order

Made to Order specifications
(For details, refer to pages 53 to 58)

① Flange size

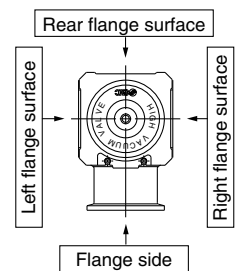
Size
100
160

② Flange type

Symbol	Type
Nil	KF (NW)
D	K (DN)

③ Indicator/Pilot port direction

Symbol	Indicator	Pilot port direction
Nil	Without indicator	Flange side
A	With indicator	Flange side
F		Left flange surface
G		Rear flange surface
J	Without indicator	Right flange surface
K		Left flange surface
L		Rear flange surface
M		Right flange surface



④ Temperature specifications/Heater

Symbol	Temperature	Heater
Nil	5 to 60°C	—
High temperature type	H0	—
	H4	With 100°C heater
	H5	With 120°C heater

Note 1) Size 16 is not applicable for H4, H5, Size 25 not for H4.
Note 2) Heater cannot be retrofitted for the H0 type.

⑥ Number of auto switches/Mounting position

Symbol	Quantity	Mounting position
Nil	Without auto switch	—
A	2 pcs.	Valve open/closed
B	1 pc.	Valve open
C	1 pc.	Valve closed

⑤ Auto switch type

Symbol	Auto switch model	Remarks
Nil	—	Without auto switch (without built-in magnet)
M9N(M)(L)(Z)	D-M9N(M)(L)(Z)	Solid state auto switch
M9P(M)(L)(Z)	D-M9P(M)(L)(Z)	
M9B(M)(L)(Z)	D-M9B(M)(L)(Z)	
A90(L)	D-A90(L)	Reed auto switch
A93(M)(L)(Z)	D-A93(M)(L)(Z)	Without auto switch (with built-in magnet)
M9//	—	

Note 1) Auto switches shown above cannot be mounted on the high temperature type. For the high temperature type, a semi-standard product that uses the heat resistant auto switch D-F7NJ* is available. For details, please contact SMC.

Note 2) Standard lead wire length is 0.5 m. Add "L" to the end of the part number when 3 m is desired, "M" when 1 m, and "Z" when 5 m.
Example) -M9NL

⑦ Body surface treatment/Seal material and its changed part

• Body surface treatment

Symbol	Surface treatment
Nil	External: Hard anodized Internal: Raw material
A	External: Hard anodized Internal: Oxalic acid anodized

• Seal material

Symbol	Seal material	Compound No.
Nil	FKM	1349-80*
N1	EPDM	2101-80*
P1	Barrel Perfluoro®	70W
Q1	Kalrez®	4079
R1	Chemraz®	SS592
R3		SSE38
S1	VMQ	1232-70*
T1	FKM for Plasma	3310-75*
U1	ULTIC ARMOR®	UA4640
F1	FKM	—**

* Produced by Mitsubishi Cable Industries, Ltd.
** Same specifications as the standard FKM type

• Seal material changed part and leakage

Symbol	Note 2) Changed part	Leakage (Pa · m ³ /s(He) or less) Note 1)	
		Internal	External
Nil	None	1.3 x 10 ⁻¹⁰ (FKM)	1.3 x 10 ⁻¹⁰ (FKM)
A	②, ③	1.3 x 10 ⁻⁸	1.3 x 10 ⁻⁸
B	②	1.3 x 10 ⁻⁸	1.3 x 10 ⁻¹⁰ (FKM)
C	③	1.3 x 10 ⁻¹⁰ (FKM)	1.3 x 10 ⁻⁸

Note 1) Values at normal temperature, excluding gas permeation.

Note 2) Refer to parts number of "Construction" on page 51 for changed part. Number indicates parts number of "Construction" accordingly.

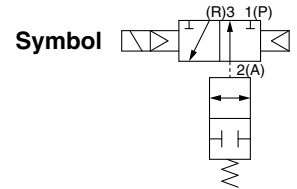
Note 3) For option "F1," only "A" can be selected. The leakage amount is the same as that of "Nil" (standard FKM type).

To order something other than "Nil" (standard), list the symbols starting with "X," followed by each symbol for "body surface treatment," "seal material" and then "changed part".

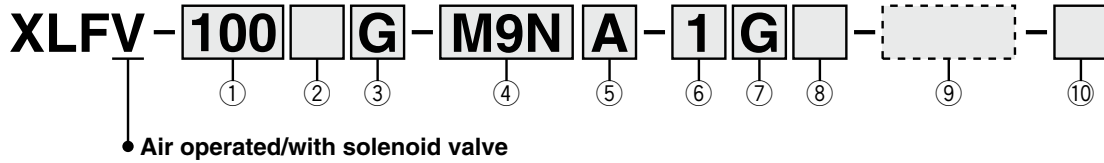
Example) XLF-100-M9NA-XAN1A

Barrel Perfluoro® is a registered trademark of Matsumura Oil Co., Ltd.
Kalrez® is a registered trademark of E. I. du Pont de Nemours and Company or its affiliates.
Chemraz® is a registered trademark of Greene, Tweed Technologies, Inc.
ULTIC ARMOR® is a registered trademark of VALQUA, LTD.

Air Operated/with Solenoid Valve



How to Order



① Flange size

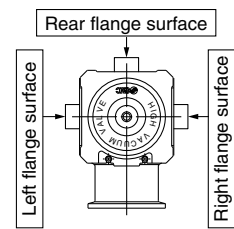
Size
100
160

② Flange type

Symbol	Type
Nil	KF (NW)
D	K (DN)

③ Indicator/Pilot port direction

Symbol	Indicator	Pilot port direction
F	With indicator	Left flange surface
G		Rear flange surface
J		Right flange surface
K	Without indicator	Left flange surface
L		Rear flange surface
M		Right flange surface



④ Auto switch type

Symbol	Auto switch model	Remarks
Nil	—	Without auto switch (without built-in magnet)
M9N(M)(L)(Z)	D-M9N(M)(L)(Z)	Solid state auto switch
M9P(M)(L)(Z)	D-M9P(M)(L)(Z)	
M9B(M)(L)(Z)	D-M9B(M)(L)(Z)	
A90(L)	D-A90(L)	Reed auto switch
A93(M)(L)(Z)	D-A93(M)(L)(Z)	
M9//	—	Without auto switch (with built-in magnet)

Standard lead wire length is 0.5 m. Add "L" to the end of the part number when 3 m is desired, "M" when 1 m, and "Z" when 5 m.

Example) -M9N_L

⑤ Number of auto switches/Mounting position

Symbol	Quantity	Mounting position
Nil	Without auto switch	—
A	2 pcs.	Valve open/closed
B	1 pc.	Valve open
C	1 pc.	Valve closed

⑥ Rated voltage

	CE/UKCA-compliant
1	100 VAC, 50/60 Hz —
2	200 VAC, 50/60 Hz —
3	110 VAC, 50/60 Hz —
4	220 VAC, 50/60 Hz —
5	24 VDC ○
6	12 VDC ○

⑦ Electrical entry

G	Grommet (Lead wire length 300 mm)
H	Grommet (Lead wire length 600 mm)
L	L type plug connector
M	M type plug connector

⑧ Light/Surge voltage suppressor

Nil	None
S	With surge voltage suppressor
Z	With light/surge voltage suppressor
U	With light/surge voltage suppressor (Non-polar type)

* S type: Not available for AC.

* U type: DC only.

⑩ CE/UKCA-compliant

Nil	—
Q	CE/UKCA-compliant

⑨ Body surface treatment/Seal material and its changed part

• Body surface treatment	
Symbol	Surface treatment
Nil	External: Hard anodized Internal: Raw material
A	External: Hard anodized Internal: Oxalic acid anodized

• Seal material		
Symbol	Seal material	Compound No
Nil	FKM	1349-80*
N1	EPDM	2101-80*
P1	Barrel Perfluoro®	70W
Q1	Kalrez®	4079
R1	Chemraz®	SS592
R3		SSE38
S1	VMQ	1232-70*
T1	FKM for Plasma	3310-75*
U1	ULTIC ARMOR®	UA4640
F1	FKM	—**

* Produced by Mitsubishi Cable Industries, Ltd.
** Same specifications as the standard FKM type

Barrel Perfluoro® is a registered trademark of Matsumura Oil Co., Ltd.
Kalrez® is a registered trademark of E. I. du Pont de Nemours and Company or its affiliates.
Chemraz® is a registered trademark of Greene, Tweed Technologies, Inc.
ULTIC ARMOR® is a registered trademark of VALQUA, LTD.

• Seal material changed part and leakage			
Symbol	Changed part <small>Note 2)</small>	Leakage (Pa·m ³ /s(He) or less) <small>Note 1)</small>	
		Internal	External
Nil	None	1.3 x 10 ⁻¹⁰ (FKM)	1.3 x 10 ⁻¹⁰ (FKM)
A	②, ③	1.3 x 10 ⁻⁸	1.3 x 10 ⁻⁸
B	②	1.3 x 10 ⁻⁸	1.3 x 10 ⁻¹⁰ (FKM)
C	③	1.3 x 10 ⁻¹⁰ (FKM)	1.3 x 10 ⁻⁸

Note 1) Values at normal temperature, excluding gas permeation.
Note 2) Refer to parts number of "Construction" on page 51 for changed part. Number indicates parts number of "Construction" accordingly.
Note 3) For option "F1," only "A" can be selected. The leakage amount is the same as that of "Nil" (standard FKM type).

To order something other than "Nil" (standard), list the symbols starting with "X," followed by each symbol for "body surface treatment," "seal material" and then "changed part".

Example) XLFV-100-M9NA-1G-XAN1A

Note 1) Option specifications/Combinations
This model has indicator, auto switch and K(DN) flange options, but high temperature/heater options are not available.
Note 2) Solenoid valves
XLFV-100, 160: SYJ519
Example) SYJ519-1GS
* For option "Q", the solenoid valve should be a CE/UKCA-compliant product.

XLF/XLFV Series

Specifications

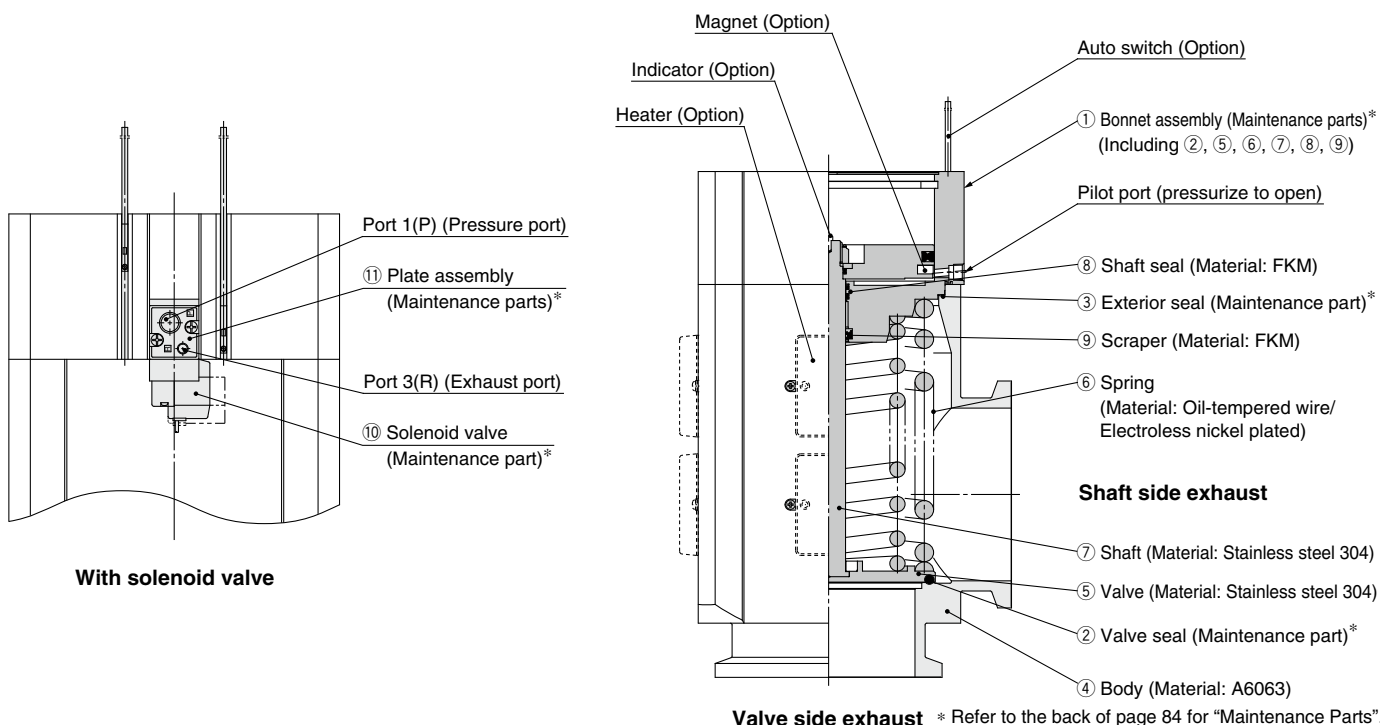
Model		XLF(V)-100	XLF(V)-160
Valve type		Normally closed (Pressurize to open, Spring seal)	
Fluid		Inert gas under vacuum	
Operating temperature (°C)	XLF	5 to 60 (High temperature type: 5 to 150)	
	XLFV	5 to 50	
Operating pressure (Pa) (abs)		1 x 10 ⁻⁵ to atmospheric pressure	
Conductance (L/s) ^{Note 1)}		300	800
Leakage (Pa·m ³ /s) (He)	Internal	In case of standard material FKM: 1.3 x 10 ⁻¹⁰ at normal temperature, excluding gas permeation	
	External	In case of standard material FKM: 1.3 x 10 ⁻¹⁰ at normal temperature, excluding gas permeation	
Flange type		KF (NW), K (DN)	
Principal materials ^{Note 3)}		Body: Aluminum alloy, Main part: Stainless steel, FKM (Standard seal material)	
Surface treatment		External: Hard anodized Internal: Raw material	
Pilot pressure (MPa) (G)		0.4 to 0.7	
Pilot port size	XLF	Rc1/8	Rc1/4
	XLFV	Rc1/8: Port 1(P), M5: Port 3(R)	
Weight (kg)	XLF	10	18
	XLFV	10.1	18.1

Note 1) Conductance is the value for an elbow with the same dimensions.

Note 2) For valve heater specifications, refer to "Common Option [1] Heater" on page 80.

Note 3) A coating of vacuum grease [Y-VAC2] is applied to the seal-material sliding portion of the vacuum part.

Construction/Operation



<Working principle>

By applying the pilot pressure from the pilot port, the piston-coupled valve overcomes the spring force or operating force by pressure, and the valve opens.

For the XLFV, the pilot pressure is always applied to the port 1(P), and the valve opens when the solenoid valve is turned ON and closes when it is turned OFF.

<Options>

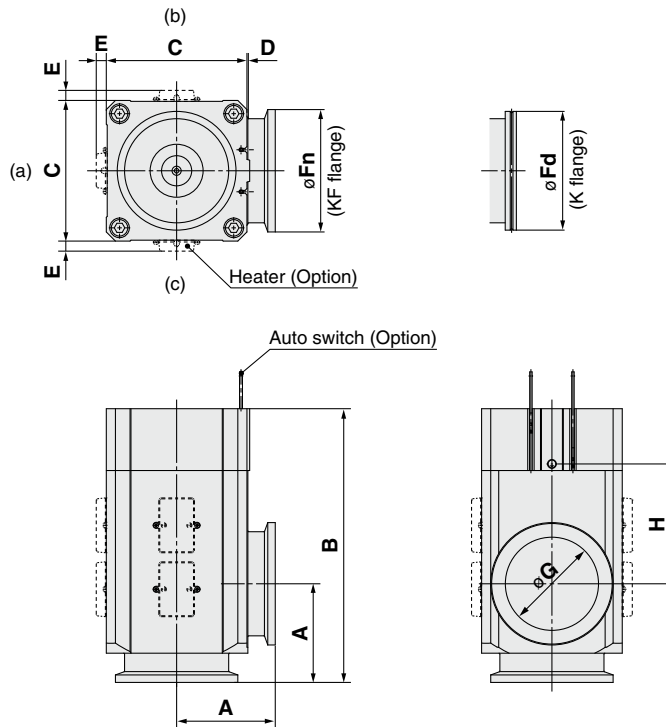
Auto switch: The magnet activates the auto switch. With 2 auto switches, the open and closed positions are detected, and with 1 auto switch, either the open or closed position is detected. Auto switches are applicable at ordinary temperatures only (5 to 60°C).

Heater: Simple heating is performed using thermistors. The valve body can be heated to approximately 100 or 120°C, depending on the heater option and the valve size. The type and number of thermistors to be used will vary depending upon size and setting temperature. In the case of high temperature specifications, the bonnet assembly is a heat resistant structure. This does not apply in cases where a solenoid valve is attached.

Indicator: When the valve is open, an orange marker appears in the center of the name plate.

Dimensions

XLF/Air operated



Model	A	B	C	D	E ^{Note 1)}	F _n	F _d	G	H
XLF-100	108	299	154	3	11	134	130	102	131
XLF-160	138	315	200	3	11	190	180	153	112

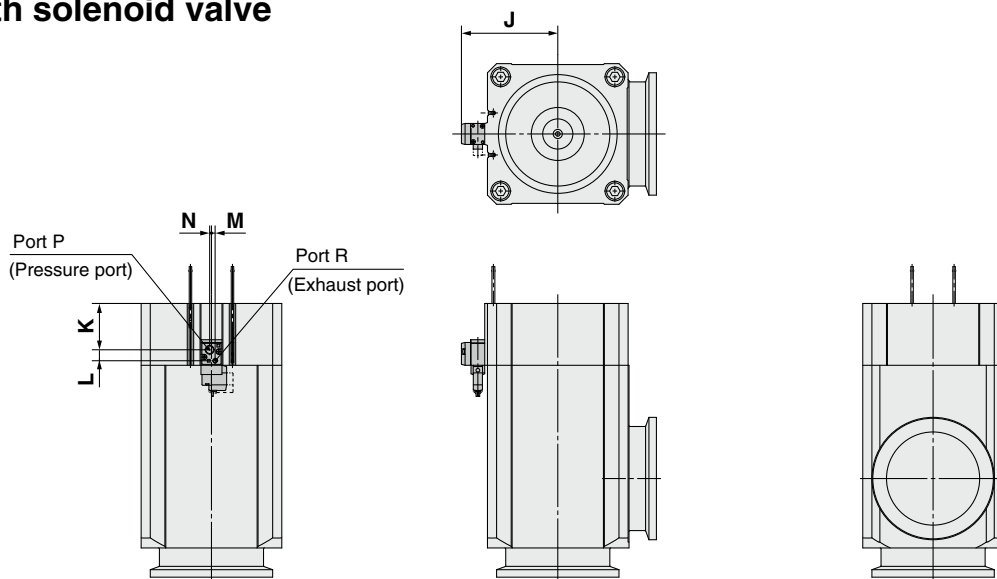
Note 1) Dimension E applies when heater option is included. (Lead wire length: approx. 1 m)

Note 2) (a), (b) and (c) in the above drawing indicate heater mounting positions.

Moreover, heater mounting positions will differ depending on the type of heater.

For details, refer to Common Option [2] Mounting position of the heater on page 80.

XLFV/With solenoid valve



Model	J	K	L	M	N
XLFV-100	105.5	49.7	12	4	2
XLFV-160	128.5	58	12	4	2

* Other dimensions are the same as the XLF.

How to Order Valve

XLFR-80 [] [] [] - **M9N** **A** - **1K** - **X** [] []

Main valve: Indicator/Pilot port direction

Symbol	Indicator	Pilot port direction
Nil	Without indicator	Flange side
A	With indicator	Flange side
F		Left flange surface
G		Rear flange surface
J		Right flange surface
K	Without indicator	Left flange surface
L		Rear flange surface
M		Right flange surface

* Flange: (A)

**Auto switch type
(Operating temperature 5 to 60°C)**

Symbol	Auto switch model	Switch type
Nil	—	Without auto switch (without built-in magnet)
M9N(M)(L)(Z)	D-M9N(M)(L)(Z)	Solid state auto switch
M9P(M)(L)(Z)	D-M9P(M)(L)(Z)	
M9B(M)(L)(Z)	D-M9B(M)(L)(Z)	
A90(L)	D-A90(L)	Reed auto switch
A93(M)(L)(Z)	D-A93(M)(L)(Z)	
M9//	Without auto switch (with built-in magnet)	

Note 1) Standard lead wire length is 0.5 m. Add "L" to the end of the part number when 3 m is desired, "M" when 1 m, and "Z" when 5 m.
 Note 2) Types with auto switches are not available in case of high temperature types.
 Note 3) A type with a pre-wired connector is also selectable. Example) -M9NSAPC
 Note 4) Refer to the [Auto Switch Catalog](#) for further information on auto switches.

Temperature specifications

Symbol	Temperature
Nil	5 to 60°C
HO	5 to 150°C

Seal material

Symbol	Seal material	Compound No.
Nil	FKM	1349-80
N1	EPDM	2101-80
P1	Barrel Perfluoro®	70W
Q1	Kalrez®	4079
R1	Chemraz®	SS592
R3		SSE38
S1	VMQ	1232-70
T1	FKM FOR PLASMA	3310-75
U1	ULTIC ARMOR®	UA4640
F1	FKM	—*

Barrel Perfluoro® is a registered trademark of Matsumura Oil Co., Ltd.
 Kalrez® is a registered trademark of E. I. du Pont de Nemours and Company or its affiliates.
 Chemraz® is a registered trademark of Greene, Tweed Technologies, Inc.
 ULTIC ARMOR® is a registered trademark of VALQUA, LTD.
 * Same specifications as the standard FKM type

When the seal material is not being changed, there is no need to select a symbol.

**Bypass valve mounting position/
Pilot port direction**

Symbol	Mounting position	Symbol	Pilot port direction
1	Left flange surface	Nil	Flange side
		K	Left flange surface
		L	Rear flange surface
2	Right flange surface	Nil	Flange side
		L	Rear flange surface
		M	Right flange surface
3	Rear flange surface	K	Left flange surface
		L	Rear flange surface
		M	Right flange surface

* Flange: (A)

Seal material changed part

Symbol	Changed part	Leakage (Pa·m ³ /s(He) or less) (Note)	
		Internal	External
Nil	None	1.3 x 10 ⁻⁹ (FKM)	1.3 x 10 ⁻⁹ (FKM)
A	(2-1) (8-1) (4) (8-2) (9)	1.3 x 10 ⁻⁷	1.3 x 10 ⁻⁷
B	(2-1) (8-1)	1.3 x 10 ⁻⁷	1.3 x 10 ⁻⁹ (FKM)
C	(4) (8-2) (9)	1.3 x 10 ⁻⁹ (FKM)	1.3 x 10 ⁻⁷

Note 1) Values at normal temperature, excluding gas permeation.
 Note 2) Refer to "Construction" on page 53 for changed part. Number indicates parts number of "Construction" accordingly.
 Note 3) For option "F1," only "A" can be selected. The leakage amount is the same as that of "Nil" (standard FKM type).

Flange type

Symbol	Type
Nil	KF(NW)
D	K(DN)

Number of auto switches/Mounting position

Symbol	Quantity	Mounting position
Nil	Without auto switch	—
A	2 pcs.	Valve open/closed
B	1 pc.	Valve open
C	1 pc.	Valve closed

Maintenance Parts

② **Bonnet Assembly Part No.**

XLF80A-30-1H - **M9NA-XN1**

Bonnet assembly

Temperature	Indicator	Part no.
5 to 60°C	Without indicator	XLF80-30-1
	With indicator	XLF80A-30-1
5 to 150°C	Without indicator	XLF80-30-1H
	With indicator	XLF80A-30-1H

Same as How to Order

Specifications

Valve type	Main valve: Normally closed	Bypass valve: Normally closed
Shaft seal type	O-ring seal	Bellows seal
Operating pressure range	Atmospheric pressure to 1 x 10 ⁻⁵ Pa	
Fluid	Inert gas under vacuum	
Operating temperature	5 to 60°C (Option: 5 to 150°C)	
Conductance	200 L/s	Max. 25 L/s (Calculated value)
Operating pressure	0.4 to 0.7 MPa	
Flange	KF80	

⑧ **Bypass Valve Part No.**

XLA-16 [] [] - [] [] - **X65**

Pilot port direction

Symbol	Pilot port direction
Nil	Rear (as seen from body connection point)
K	Left (as seen from body connection point)
M	Right (as seen from body connection point)

Temperature specifications

Symbol	Temperature
Nil	5 to 60°C
HO	5 to 150°C

Seal material changed part

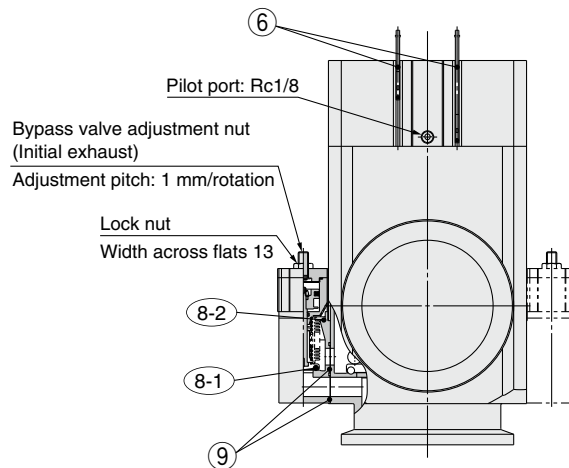
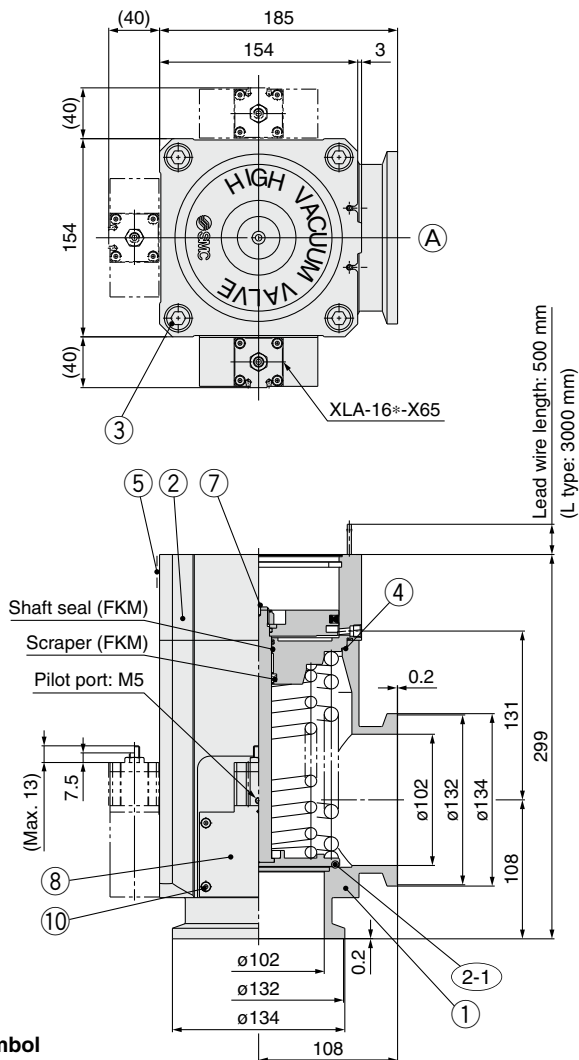
Symbol	Changed part
Nil	None
A	(8-1) (8-2)
B	(8-1)
C	(8-2)

Seal material:
 Same as the seal materials of How to Order Valve

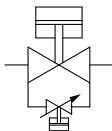


Please contact SMC for detailed dimensions, specifications and lead times.

With Bypass Valve (Flange size: 100)



Symbol



O-ring Part No.

Seal material symbol	Internal seal (2-1)	External seal (4)
Nil	AS568-349V	AS568-050V
N1	AS568-349-XN1	AS568-050-XN1
P1	AS568-349-XP1	AS568-050-XP1
Q1	AS568-349-XQ1	AS568-050-XQ1
R1	AS568-349-XR1	AS568-050-XR1
R3	AS568-349-XR3	AS568-050-XR3
S1	AS568-349-XS1	AS568-050-XS1
T1	AS568-349-XT1	AS568-050-XT1
U1	AS568-349-XU1	AS568-050-XU1
F1	AS568-349-XF1	AS568-050-XF1

Component Parts

No.	Description	Material	Remarks
1	Body	A6063	
2	Bonnet assembly		Refer to part no.
2-1	O-ring		Refer to part no.
3	Hexagon socket head cap screw	Stainless steel	M12, L = 70
4	O-ring		Refer to part no.
5	Computer name plate		
6	Auto switch		Option
7	Indicator		Option
8	Bypass valve		Refer to part no.
8-1	O-ring		Refer to part no.
8-2	O-ring		Refer to part no.
9	O-ring		Refer to part no.
10	Hexagon socket head cap screw	Stainless steel	M4, L = 40

O-ring Part No.

Seal material symbol	Internal seal (8-1)	External seal (8-2)	External seal (9)
Nil	B2401-V15V	AS568-025V	AS568-017V
N1	B2401-V15-XN1	AS568-025-XN1	AS568-017-XN1
P1	B2401-V15-XP1	AS568-025-XP1	AS568-017-XP1
Q1	B2401-V15-XQ1	AS568-025-XQ1	AS568-017-XQ1
R1	B2401-V15-XR1	AS568-025-XR1	AS568-017-XR1
R3	B2401-V15-XR3	AS568-025-XR3	AS568-017-XR3
S1	B2401-V15-XS1	AS568-025-XS1	AS568-017-XS1
T1	B2401-V15-XT1	AS568-025-XT1	AS568-017-XT1
U1	B2401-V15-XU1	AS568-025-XU1	AS568-017-XU1
F1	B2401-V15-XF1	AS568-025-XF1	AS568-017-XF1

Note) A coating of vacuum grease (fluorinated grease: Y-VAC2) is applied to the shaft seal, scraper and O-ring (9).

How to Order Valve

XLFR-100 [] [] [] - **M9N** **A** - **1K** - **X** [] []

Flange type

Symbol	Type
Nil	KF(NW)
D	K(DN)

Temperature specifications

Symbol	Temperature
Nil	5 to 60°C
H0	5 to 150°C

Seal material

Symbol	Seal material	Compound No.
Nil	FKM	1349-80
N1	EPDM	2101-80
P1	Barrel Perfluoro®	70W
Q1	Kalrez®	4079
R1	Chemraz®	SS592
R3		SSE38
S1	VMQ	1232-70
T1	FKM FOR PLASMA	3310-75
U1	ULTIC ARMOR®	UA4640
F1	FKM	—*

**Main valve: Indicator/
Pilot port direction**

Symbol	Indicator	Pilot port direction
Nil	Without indicator	Flange side
A	With indicator	Flange side
F		Left flange surface
G		Rear flange surface
J		Right flange surface
K	Without indicator	Left flange surface
L		Rear flange surface
M		Right flange surface

Number of auto switches/Mounting position

Symbol	Quantity	Mounting position
Nil	Without auto switch	—
A	2 pcs.	Valve open/closed
B	1 pc.	Valve open
C	1 pc.	Valve closed

Bypass valve mounting position/Pilot port direction

Symbol	Mounting position	Symbol	Pilot port direction
1	Left flange surface	Nil	Flange side
		K	Left flange surface
		L	Rear flange surface
2	Right flange surface	Nil	Flange side
		L	Rear flange surface
		M	Right flange surface
3	Rear flange surface	K	Left flange surface
		L	Rear flange surface
		M	Right flange surface

Barrel Perfluoro® is a registered trademark of Matsumura Oil Co., Ltd.
Kalrez® is a registered trademark of E. I. du Pont de Nemours and Company or its affiliates.
Chemraz® is a registered trademark of Greene, Tweed Technologies, Inc.
ULTIC ARMOR® is a registered trademark of VALQUA, LTD.
* Same specifications as the standard FKM type

When the seal material is not being changed, there is no need to select a symbol.

* Flange: (A)

Auto switch type

Symbol	Auto switch model	Switch type
Nil	—	Without auto switch (without built-in magnet)
M9N(M)(L)(Z)	D-M9N(M)(L)(Z)	Solid state auto switch
M9P(M)(L)(Z)	D-M9P(M)(L)(Z)	
M9B(M)(L)(Z)	D-M9B(M)(L)(Z)	
A90(L)	D-A90(L)	Reed auto switch
A93(M)(L)(Z)	D-A93(M)(L)(Z)	
M9//	Without auto switch (with built-in magnet)	

- Note 1) Standard lead wire length is 0.5 m. Add "L" to the end of the part number when 3 m is desired, "M" when 1 m, and "Z" when 5 m.
- Note 2) Types with auto switches are not available in case of high temperature types.
- Note 3) A type with a pre-wired connector is also selectable. Example) -M9NSAPC
- Note 4) Refer to the [Auto Switch Catalog](#) for further information on auto switches.

Seal material changed part

Symbol	Changed part	Leakage (Pa·m³/s(He) or less) ^{Note}	
		Internal	External
Nil	None	1.3 x 10 ⁻⁹ (FKM)	1.3 x 10 ⁻⁹ (FKM)
A	(2-1) (8-1) (4) (8-2) (9)	1.3 x 10 ⁻⁷	1.3 x 10 ⁻⁷
B	(2-1) (8-1)	1.3 x 10 ⁻⁷	1.3 x 10 ⁻⁹ (FKM)
C	(4) (8-2) (9)	1.3 x 10 ⁻⁹ (FKM)	1.3 x 10 ⁻⁷

- Note 1) Values at normal temperature, excluding gas permeation.
- Note 2) Refer to "Construction" on page 55 for changed part. Number indicates parts number of "Construction" accordingly.
- Note 3) For option "F1," only "A" can be selected. The leakage amount is the same as that of "Nil" (standard FKM type).

Maintenance Parts

② **Bonnet Assembly Part No.**

XLF100A-30-1 - **M9NA-XN1**

Bonnet assembly

Temperature	Indicator	Part no.
5 to 60°C	Without indicator	XLF100-30-1
	With indicator	XLF100A-30-1
5 to 150°C	Without indicator	XLF100-30-1H
	With indicator	XLF100A-30-1H

Same as How to Order

⑧ **Bypass Valve Part No.**

XLA-16 [] [] - [] [] - **X65**

Pilot port direction

Symbol	Pilot port direction
Nil	Rear (as seen from body connection point)
K	Left (as seen from body connection point)
M	Right (as seen from body connection point)

Temperature specifications

Symbol	Temperature
Nil	5 to 60°C
H0	5 to 150°C

Seal material changed part

Symbol	Changed part
Nil	None
A	(8-1) (8-2)
B	(8-1)
C	(8-2)

Seal material: Same as the seal materials of How to Order Valve

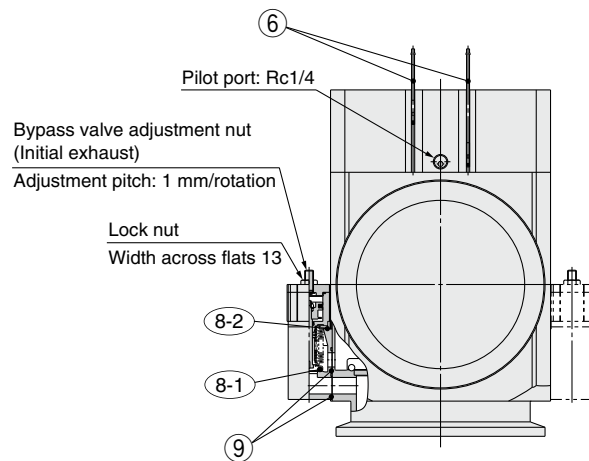
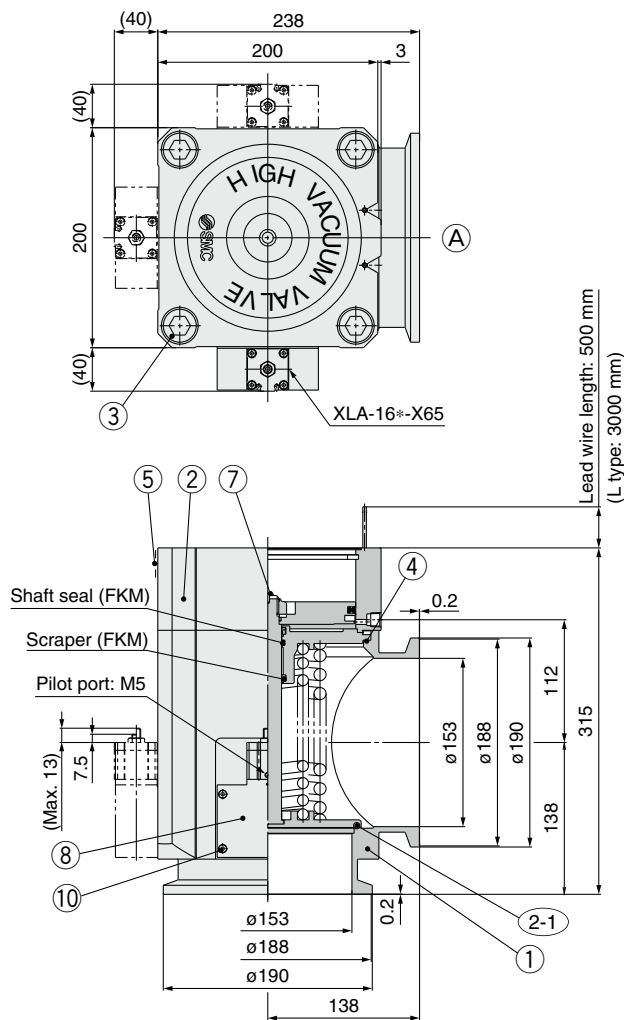
Specifications

Valve type	Main valve: Normally closed	Bypass valve: Normally closed
Shaft seal type	O-ring seal	Bellows seal
Operating pressure range	Atmospheric pressure to 1 x 10 ⁻⁵ Pa	
Fluid	Inert gas under vacuum	
Operating temperature	5 to 60°C (Option: 5 to 150°C)	
Conductance	300 L/s	Max. 31.5 L/s (Calculated value)
Operating pressure	0.4 to 0.7 MPa	
Flange	KF100	

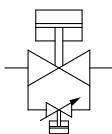


Please contact SMC for detailed dimensions, specifications and lead times.

With Bypass Valve (Flange size: 160)



Symbol



O-ring Part No.

Seal material symbol	Internal seal (2-1)	External seal (4)
Nil	B2401-G155V	AS568-167V
N1	B2401-G155-XN1	AS568-167-XN1
P1	B2401-G155-XP1	AS568-167-XP1
Q1	B2401-G155-XQ1	AS568-167-XQ1
R1	B2401-G155-XR1	AS568-167-XR1
R3	B2401-G155-XR3	AS568-167-XR3
S1	B2401-G155-XS1	AS568-167-XS1
T1	B2401-G155-XT1	AS568-167-XT1
U1	B2401-G155-XU1	AS568-167-XU1
F1	B2401-G155-XF1	AS568-167-XF1

Component Parts

No.	Description	Material	Remarks
1	Body	A6063	
2	Bonnet assembly		Refer to part no.
2-1	O-ring		Refer to part no.
3	Hexagon socket head cap screw	Stainless steel	M20, L = 70
4	O-ring		Refer to part no.
5	Computer name plate		
6	Auto switch		Option
7	Indicator		Option
8	Bypass valve		Refer to part no.
8-1	O-ring		Refer to part no.
8-2	O-ring		Refer to part no.
9	O-ring		Refer to part no.
10	Hexagon socket head cap screw	Stainless steel	M4, L = 40

O-ring Part No.

Seal material symbol	Internal seal (8-1)	External seal (8-2)	External seal (9)
Nil	B2401-V15V	AS568-025V	AS568-017V
N1	B2401-V15-XN1	AS568-025-XN1	AS568-017-XN1
P1	B2401-V15-XP1	AS568-025-XP1	AS568-017-XP1
Q1	B2401-V15-XQ1	AS568-025-XQ1	AS568-017-XQ1
R1	B2401-V15-XR1	AS568-025-XR1	AS568-017-XR1
R3	B2401-V15-XR3	AS568-025-XR3	AS568-017-XR3
S1	B2401-V15-XS1	AS568-025-XS1	AS568-017-XS1
T1	B2401-V15-XT1	AS568-025-XT1	AS568-017-XT1
U1	B2401-V15-XU1	AS568-025-XU1	AS568-017-XU1
F1	B2401-V15-XF1	AS568-025-XF1	AS568-017-XF1

Note) A coating of vacuum grease (fluorinated grease: Y-VAC2) is applied to the shaft seal, scraper and O-ring (9).

How to Order Valve

XLFR-160 [] [] [] - **M9N** **A** - **1K** - **X** [] []

Flange type

Symbol	Type
Nil	KF(NW)
D	K(DN)

Temperature specifications

Symbol	Temperature
Nil	5 to 60°C
H0	5 to 150°C

Seal material

Symbol	Seal material	Compound No.
Nil	FKM	1349-80
N1	EPDM	2101-80
P1	Barrel Perfluoro®	70W
Q1	Kalrez®	4079
R1	Chemraz®	SS592
R3		SSE38
S1	VMQ	1232-70
T1	FKM FOR PLASMA	3310-75
U1	ULTIC ARMOR®	UA4640
F1	FKM	—*

**Main valve: Indicator/
Pilot port direction**

Symbol	Indicator	Pilot port direction
Nil	Without indicator	Flange side
A	With indicator	Flange side
F		Left flange surface
G		Rear flange surface
J		Right flange surface
K		Left flange surface
L	Without indicator	Rear flange surface
M	Without indicator	Right flange surface

Number of auto switches/Mounting position

Symbol	Quantity	Mounting position
Nil	Without auto switch	—
A	2 pcs.	Valve open/closed
B	1 pc.	Valve open
C	1 pc.	Valve closed

Bypass valve mounting position/Pilot port direction

Symbol	Mounting position	Symbol	Pilot port direction
1	Left flange surface	Nil	Flange side
		K	Left flange surface
		L	Rear flange surface
2	Right flange surface	Nil	Flange side
		L	Rear flange surface
		M	Right flange surface
3	Rear flange surface	K	Left flange surface
		L	Rear flange surface
		M	Right flange surface

Barrel Perfluoro® is a registered trademark of Matsumura Oil Co., Ltd.
Kalrez® is a registered trademark of E. I. du Pont de Nemours and Company or its affiliates.
Chemraz® is a registered trademark of Greene, Tweed Technologies, Inc.
ULTIC ARMOR® is a registered trademark of VALQUA, LTD.
* Same specifications as the standard FKM type

* Flange: (A)

Auto switch type

Symbol	Auto switch model	Switch type
Nil	—	Without auto switch (without built-in magnet)
M9N(M)(L)(Z)	D-M9N(M)(L)(Z)	Solid state auto switch
M9P(M)(L)(Z)	D-M9P(M)(L)(Z)	
M9B(M)(L)(Z)	D-M9B(M)(L)(Z)	
A90(L)	D-A90(L)	Reed auto switch
A93(M)(L)(Z)	D-A93(M)(L)(Z)	
M9//	Without auto switch (with built-in magnet)	

- Note 1) Standard lead wire length is 0.5 m. Add "L" to the end of the part number when 3 m is desired, "M" when 1 m, and "Z" when 5 m.
- Note 2) Types with auto switches are not available in case of high temperature types.
- Note 3) A type with a pre-wired connector is also selectable. Example) -M9NSAPC
- Note 4) Refer to the [Auto Switch Catalog](#) for further information on auto switches.

When the seal material is not being changed, there is no need to select a symbol.

Seal material changed part

Symbol	Changed part	Leakage (Pa·m³/s(He) or less) ^{Note)}	
		Internal	External
Nil	None	1.3 x 10 ⁻⁹ (FKM)	1.3 x 10 ⁻⁹ (FKM)
A	(2-1) (8-1) (4) (8-2) (9)	1.3 x 10 ⁻⁷	1.3 x 10 ⁻⁷
B	(2-1) (8-1)	1.3 x 10 ⁻⁷	1.3 x 10 ⁻⁹ (FKM)
C	(4) (8-2) (9)	1.3 x 10 ⁻⁹ (FKM)	1.3 x 10 ⁻⁷

- Note 1) Values at normal temperature, excluding gas permeation.
- Note 2) Refer to "Construction" on page 57 for changed part. Number indicates parts number of "Construction" accordingly.
- Note 3) For option "F1," only "A" can be selected. The leakage amount is the same as that of "Nil" (standard FKM type).

Maintenance Parts

② **Bonnet Assembly Part No.**

XLF160A-30-1 - **M9NA-XN1**

Bonnet assembly

Temperature	Indicator	Part no.
5 to 60°C	Without indicator	XLF160-30-1
	With indicator	XLF160A-30-1
5 to 150°C	Without indicator	XLF160-30-1H
	With indicator	XLF160A-30-1H

Same as How to Order

⑧ **Bypass Valve Part No.**

XLA-16 [] [] - [] [] - **X65**

Pilot port direction

Symbol	Pilot port direction
Nil	Rear (as seen from body connection point)
K	Left (as seen from body connection point)
M	Right (as seen from body connection point)

Temperature specifications

Symbol	Temperature
Nil	5 to 60°C
H0	5 to 150°C

Seal material changed part

Symbol	Changed part
Nil	None
A	(8-1) (8-2)
B	(8-1)
C	(8-2)

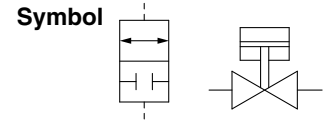
Seal material: Same as the seal materials of How to Order Valve

Specifications

Valve type	Main valve: Normally closed	Bypass valve: Normally closed
Shaft seal type	O-ring seal	Bellows seal
Operating pressure range	Atmospheric pressure to 1 x 10 ⁻⁵ Pa	
Fluid	Inert gas under vacuum	
Operating temperature	5 to 60°C (Option: 5 to 150°C)	
Conductance	800 L/s	Max. 31.5 L/s (Calculated value)
Operating pressure	0.4 to 0.7 MPa	
Flange	KF160	

Aluminum High Vacuum Angle Valve Double Acting/O-ring Seal XLG Series

RoHS



Made to Order specifications
(For details, refer to pages 63 to 68)

How to Order

XLG - **100** **□** **□** **□** - 1 **M9N** **A** - **□**

① ② ③ ④ ⑤ ⑥ ⑦

① Flange size

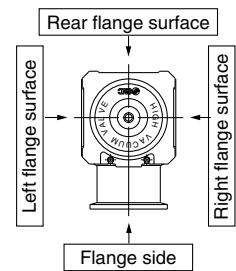
Size
100
160

② Flange type

Symbol	Type	Applicable flange
Nil	KF (NW)	100, 160
D	K (DN)	100, 160

③ Pilot port direction

Symbol	Pilot port direction
Nil	Flange side
K	Left flange surface
L	Rear flange surface
M	Right flange surface



④ Temperature specifications/Heater

Symbol	Temperature	Heater	
Nil	5 to 60°C	—	
High temperature type	H0	—	
	H4	5 to 150°C	With 100°C heater
	H5	5 to 150°C	With 120°C heater

Note) Heater cannot be retrofitted for the H0 type.

⑤ Auto switch type

Symbol	Auto switch model	Remarks
Nil	—	Without auto switch (without built-in magnet)
M9N(M)(L)(Z)	D-M9N(M)(L)(Z)	Solid state auto switch
M9P(M)(L)(Z)	D-M9P(M)(L)(Z)	
M9B(M)(L)(Z)	D-M9B(M)(L)(Z)	
A90(L)	D-A90(L)	Reed auto switch
A93(M)(L)(Z)	D-A93(M)(L)(Z)	
M9//	—	Without auto switch (with built-in magnet)

Note 1) Auto switches shown above cannot be mounted on the high temperature type. For the high temperature type, a semi-standard product that uses the heat resistant auto switch D-F7NJ* is available. For details, please contact SMC.

Note 2) Standard lead wire length is 0.5 m. Add "L" to the end of the part number when 3 m is desired, "M" when 1 m, and "Z" when 5 m.

Example) -M9NL

⑥ Number of auto switches/Mounting position

Symbol	Quantity	Mounting position
Nil	Without auto switch	—
A	2 pcs.	Valve open/closed
B	1 pc.	Valve open
C	1 pc.	Valve closed

⑦ Body surface treatment/Seal material and its changed part

• Body surface treatment

Symbol	Surface treatment
Nil	External: Hard anodized Internal: Raw material
A	External: Hard anodized Internal: Oxalic acid anodized

• Seal material

Symbol	Seal material	Compound No.
Nil	FKM	1349-80*
N1	EPDM	2101-80*
P1	Barrel Perfluoro®	70W
Q1	Kalrez®	4079
R1	Chemraz®	SS592
R3		SSE38
S1	VMQ	1232-70*
T1	FKM for Plasma	3310-75*
U1	ULTIC ARMOR®	UA4640
F1	FKM	—**

* Produced by Mitsubishi Cable Industries, Ltd.

** Same specifications as the standard FKM type

• Seal material changed part and leakage

Symbol	Changed part ^{Note 2)}	Leakage (Pa·m ³ /s(He) or less) ^{Note 1)}	
		Internal	External
Nil	None	1.3 x 10 ⁻¹⁰ (FKM)	1.3 x 10 ⁻¹⁰ (FKM)
A	②, ③	1.3 x 10 ⁻⁸	1.3 x 10 ⁻⁸
B	②	1.3 x 10 ⁻⁸	1.3 x 10 ⁻¹⁰ (FKM)
C	③	1.3 x 10 ⁻¹⁰ (FKM)	1.3 x 10 ⁻⁸

Note 1) Values at normal temperature, excluding gas permeation.

Note 2) Refer to parts number of "Construction" on page 60 for changed part. Number indicates parts number of "Construction" accordingly.

Note 3) For option "F1," only "A" can be selected. The leakage amount is the same as that of "Nil" (standard FKM type).

To order something other than "Nil" (standard), list the symbols starting with "X," followed by each symbol for "body surface treatment," "seal material" and then "changed part".

Example) XLG-100-M9NA-XAN1A

Barrel Perfluoro® is a registered trademark of Matsumura Oil Co., Ltd.
Kalrez® is a registered trademark of E. I. du Pont de Nemours and Company or its affiliates.
Chemraz® is a registered trademark of Greene, Tweed Technologies, Inc.
ULTIC ARMOR® is a registered trademark of VALQUA, LTD.

Specifications

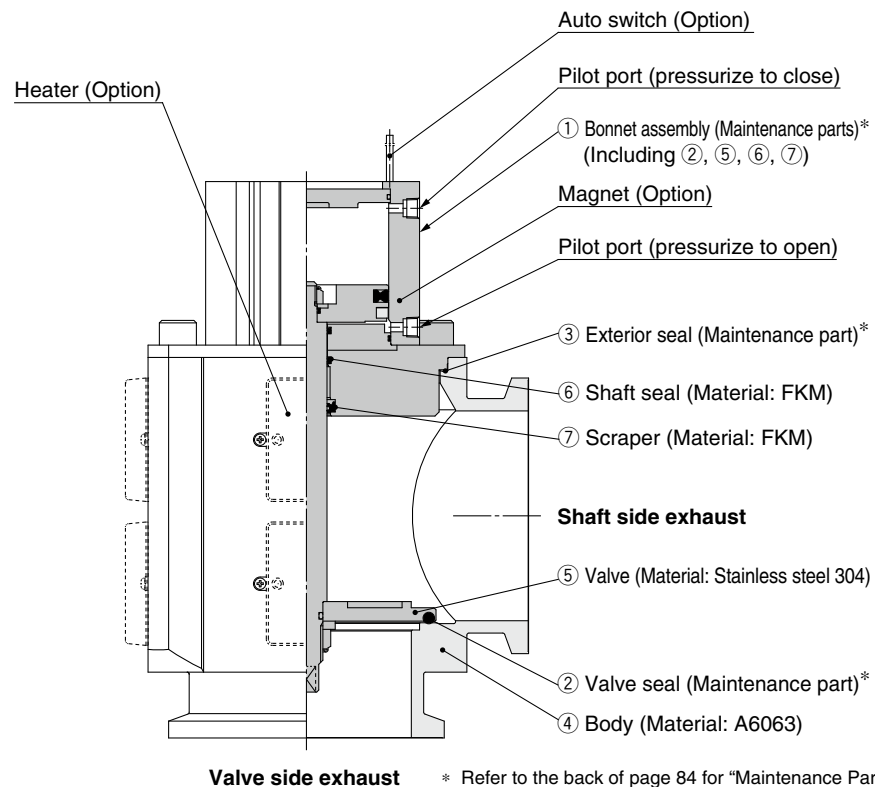
Model		XLG-100	XLG-160
Valve type		Double acting (Dual operation), Pressurize to open/close	
Fluid		Inert gas under vacuum	
Operating temperature (°C)	XLG	5 to 60 (High temperature type: 5 to 150)	
Operating pressure (Pa) (abs)		Atmospheric pressure to 1×10^{-5}	
Conductance (L/s) <small>Note 1)</small>		300	800
Leakage (Pa·m ³ /s) (He)	Internal	In case of standard material FKM: 1.3×10^{-10} at normal temperature, excluding gas permeation	
	External	In case of standard material FKM: 1.3×10^{-10} at normal temperature, excluding gas permeation	
Flange type		KF (NW), K (DN)	
Principal materials		Body: Aluminum alloy, Main part: Stainless steel, FKM (Standard seal material)	
Surface treatment		External: Hard anodized Internal: Raw material	
Pilot pressure (MPa) (G)		0.4 to 0.6	
Pilot port size	XLG	Rc1/8	
Weight (kg)	XLG	7.6	14.9

Note 1) Conductance is the value for an elbow with the same dimensions.

Note 2) For valve heater specifications, refer to "Common Option [1] Heater" on page 80.

Note 3) A coating of vacuum grease [Y-VAC2] is applied to the seal-material sliding portion of the vacuum part.

Construction/Operation



<Options>

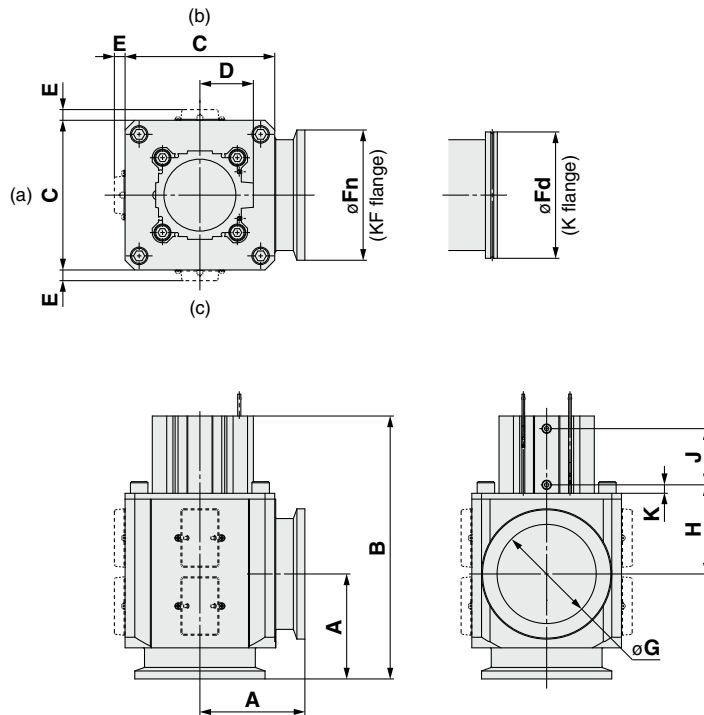
Auto switch: The magnet activates the auto switch. With 2 auto switches, the open and closed positions are detected, and with 1 auto switch, either the open or closed position is detected. Auto switches are applicable at ordinary temperatures only (5 to 60°C).

Heater : Simple heating is performed using thermistors. The valve body can be heated to approximately 100 or 120°C, depending on the heater option and the valve size. The type and number of thermistors to be used will vary depending upon size and setting temperature. In the case of high temperature specifications, the bonnet assembly is a heat resistant structure. This does not apply in cases where a solenoid valve is attached.

XLG Series

Dimensions

XLG100, 160/ Air operated



Model	A	B	C	D	E ^{Note 1)}	F _f	F _d	G	H	J	K
XLG-100	108	270.5	154	55	11	134	130	102	92	58	9
XLG-160	138	339	200	65	11	190	180	153	124	62	12.5

Note 1) Dimension E applies when heater option is included. (Lead wire length: approx. 1 m)
 Note 2) (a), (b) and (c) in the above drawing indicate heater mounting positions.

Moreover, heater mounting positions will differ depending on the type of heater.
 For details, refer to Common Option [2] Mounting position of the heater on page 80.

How to Order Valve

XLGR-80 - 1 - 1K - X

Flange type

Symbol	Type
Nil	KF (NW)
D	K (DN)

Main valve: Pilot port direction

Symbol	Pilot port direction
Nil	Flange side
K	Left flange surface
L	Rear flange surface
M	Right flange surface

* Flange: (A)

Temperature specifications

Symbol	Temperature	Heater
Nil	5 to 60°C	—
HO	5 to 150°C	—

Auto switch type (Operating temperature 5 to 60°C)

Symbol	Auto switch model	Switch type
Nil	—	Without auto switch (without built-in magnet)
M9N(M)(L)(Z)	D-M9N(M)(L)(Z)	Solid state auto switch
M9P(M)(L)(Z)	D-M9P(M)(L)(Z)	
M9B(M)(L)(Z)	D-M9B(M)(L)(Z)	
A90(L)	D-A90(L)	Reed auto switch
A93(M)(L)(Z)	D-A93(M)(L)(Z)	
M9//	—	Without auto switch (with built-in magnet)

Note 1) Types with auto switches are not available in case of high temperature types. Standard lead wire length is 0.5 m. Add "L" to the end of the part number when 3 m is desired, "M" when 1 m, and "Z" when 5 m.
 Note 2) A type with a pre-wired connector is also selectable. Example) -M9NSAPC
 Note 3) Refer to the **Auto Switch Catalog** for further information on auto switches.

Number of auto switches/Mounting position

Symbol	Quantity	Mounting position
Nil	—	Without auto switch
A	2 pcs.	Valve open/closed
B	1 pc.	Valve open
C	1 pc.	Valve closed

Bypass valve mounting position/ Pilot port direction

Symbol	Mounting position	Symbol	Pilot port direction
1	Left flange surface	S	Flange side
		K	Left flange surface
		L	Rear flange surface
2	Right flange surface	S	Flange side
		L	Rear flange surface
		M	Right flange surface
3	Rear flange surface	K	Left flange surface
		L	Rear flange surface
		M	Right flange surface

* Flange: (A)

Seal material

Symbol	Seal material	Compound No.
Nil	FKM	1349-80
N1	EPDM	2101-80
P1	Barrel Perfluoro®	70W
Q1	Kalrez®	4079
R1	Chemraz®	SS592
R3		SSE38
S1	VMQ	1232-70
T1	FKM FOR PLASMA	3310-75
U1	ULTIC ARMOR®	UA4640
F1	FKM	—*

Barrel Perfluoro® is a registered trademark of Matsumura Oil Co., Ltd.
 Kalrez® is a registered trademark of E. I. du Pont de Nemours and Company or its affiliates.
 Chemraz® is a registered trademark of Greene, Tweed Technologies, Inc.
 ULTIC ARMOR® is a registered trademark of VALQUA, LTD.
 * Same specifications as the standard FKM type

When the seal material is not being changed, there is no need to select a symbol.

Seal material changed part

Symbol	Changed part	Leakage (Pa·m³/s(He) or less) (Note)	
		Internal	External
Nil	None	1.3 x 10 ⁻⁹ (FKM)	1.3 x 10 ⁻⁹ (FKM)
A	(2-1) (7-1) (4) (7-2) (8)	1.3 x 10 ⁻⁷	1.3 x 10 ⁻⁷
B	(2-1) (7-1)	1.3 x 10 ⁻⁷	1.3 x 10 ⁻⁹ (FKM)
C	(4) (7-2) (8)	1.3 x 10 ⁻⁹ (FKM)	1.3 x 10 ⁻⁷

Note 1) Values at normal temperature, excluding gas permeation.
 Note 2) Refer to "Construction" on page 63 for changed part. Number indicates parts number of "Construction" accordingly.
 Note 3) For option "F1," only "A" can be selected. The leakage amount is the same as that of "Nil" (standard FKM type).

Maintenance Parts

② Bonnet Assembly Part No.

XLG80-30-1H-1 M9NA-XN1

Bonnet assembly

Temperature	Part no.
5 to 60°C	XLG80-30-1-1
5 to 150°C	XLG80-30-1H-1

Same as How to Order

Specifications

Valve type	Main valve: Double acting	Bypass valve: Normally closed
Shaft seal type	O-ring seal	Bellows seal
Operating pressure range	Atmospheric pressure to 1 x 10 ⁻⁵ Pa	
Fluid	Inert gas under vacuum	
Operating temperature	5 to 60°C (Option: 5 to 150°C)	
Conductance	200 L/s*	Max. 25 L/s (Calculated value)
Operating pressure	0.4 to 0.6 MPa	
Flange	KF80, K80	
Weight	4.9 kg	

* Conductance is the value for the "molecular flow" of an elbow with the same dimensions.

⑧ Bypass Valve Part No.

XLA-16 - - X65

Pilot port direction

Symbol	Pilot port direction
Nil	Rear (as seen from body connection point)
K	Left (as seen from body connection point)
M	Right (as seen from body connection point)

Temperature specifications

Symbol	Temperature
Nil	5 to 60°C
HO	5 to 150°C

Seal material changed part

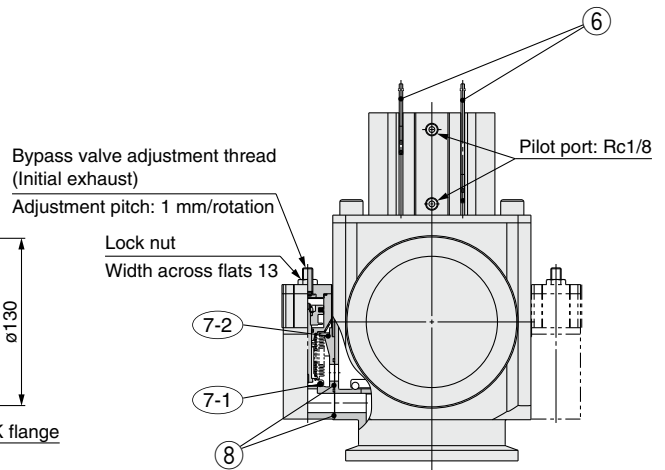
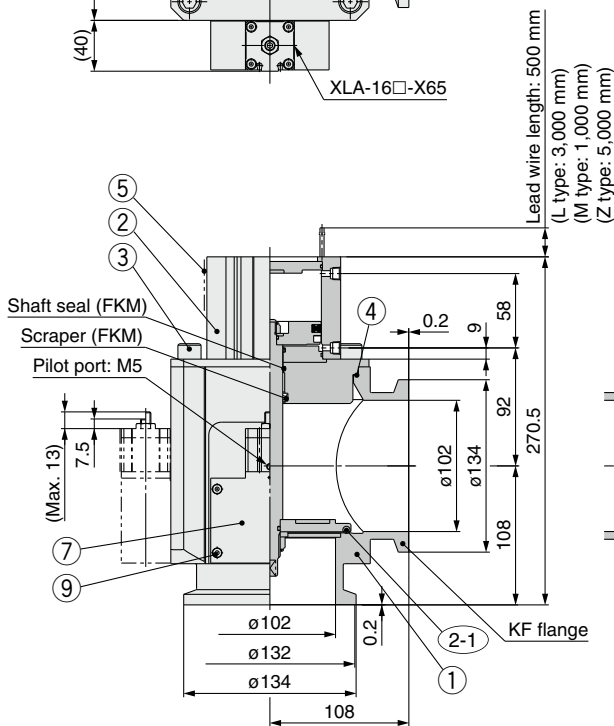
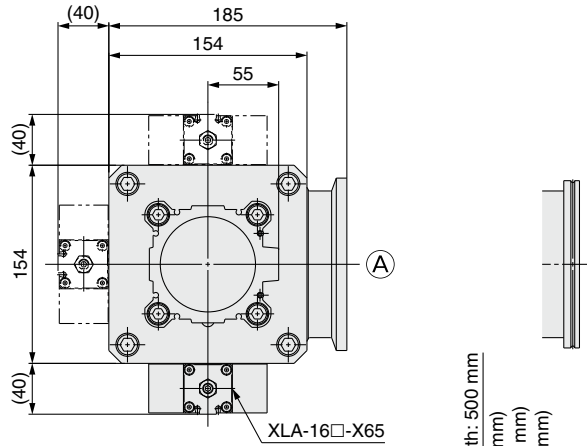
Symbol	Changed part
Nil	None
A	(7-1) (7-2)
B	(7-1)
C	(7-2)

Seal material: Same as the seal materials of How to Order Valve

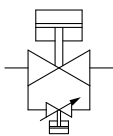


Please contact SMC for detailed dimensions, specifications and lead times.

With Bypass Valve (Flange size: 100)



Symbol



Component Parts

No.	Description	Material	Remarks
1	Body	A6063	
2	Bonnet assembly		Refer to maintenance parts
2-1	O-ring		Refer to part no.
3	Hexagon socket head cap screw	SS	M12, L = 20
4	O-ring		Refer to part no.
5	Computer name plate		
6	Auto switch		Option
7	High vacuum angle valve (Bypass valve)		Refer to maintenance parts
7-1	O-ring		Refer to part no.
7-2	O-ring		Refer to part no.
8	O-ring		Refer to part no.
9	Hexagon socket head cap screw	Stainless steel	M4, L = 40

O-ring Part No.

Seal material symbol	Internal seal (2-1)	External seal (4)
Nil	AS568-349V	AS568-050V
N1	AS568-349-XN1	AS568-050-XN1
P1	AS568-349-XP1	AS568-050-XP1
Q1	AS568-349-XQ1	AS568-050-XQ1
R1	AS568-349-XR1	AS568-050-XR1
R3	AS568-349-XR3	AS568-050-XR3
S1	AS568-349-XS1	AS568-050-XS1
T1	AS568-349-XT1	AS568-050-XT1
U1	AS568-349-XU1	AS568-050-XU1
F1	AS568-349-XF1	AS568-050-XF1

O-ring Part No.

Seal material symbol	Internal seal (7-1)	External seal (7-2)	External seal (8)
Nil	B2401-V15V	AS568-025V	AS568-017V
N1	B2401-V15-XN1	AS568-025-XN1	AS568-017-XN1
P1	B2401-V15-XP1	AS568-025-XP1	AS568-017-XP1
Q1	B2401-V15-XQ1	AS568-025-XQ1	AS568-017-XQ1
R1	B2401-V15-XR1	AS568-025-XR1	AS568-017-XR1
R3	B2401-V15-XR3	AS568-025-XR3	AS568-017-XR3
S1	B2401-V15-XS1	AS568-025-XS1	AS568-017-XS1
T1	B2401-V15-XT1	AS568-025-XT1	AS568-017-XT1
U1	B2401-V15-XU1	AS568-025-XU1	AS568-017-XU1
F1	B2401-V15-XF1	AS568-025-XF1	AS568-017-XF1

Note) A coating of vacuum grease (fluorinated grease: Y-VAC2) is applied to the shaft seal, scraper and O-ring (8).

How to Order Valve

XLGR-100 - **1** - **1K** - **X**

Flange type

Symbol	Type
Nil	KF (NW)
D	K (DN)

Main valve: Pilot port direction

Symbol	Pilot port direction
Nil	Flange side
K	Left flange surface
L	Rear flange surface
M	Right flange surface

* Flange: (A)

Temperature specifications

Symbol	Temperature	Heater
Nil	5 to 60°C	—
H0	5 to 150°C	—

Auto switch type (Operating temperature 5 to 60°C)

Symbol	Auto switch model	Switch type
Nil	—	Without auto switch (without built-in magnet)
M9N(M)(L)(Z)	D-M9N(M)(L)(Z)	Solid state auto switch
M9P(M)(L)(Z)	D-M9P(M)(L)(Z)	
M9B(M)(L)(Z)	D-M9B(M)(L)(Z)	
A90(L)	D-A90(L)	Reed auto switch
A93(M)(L)(Z)	D-A93(M)(L)(Z)	
M9//	—	Without auto switch (with built-in magnet)

Note 1) Types with auto switches are not available in case of high temperature types.
Standard lead wire length is 0.5 m. Add "L" to the end of the part number when 3 m is desired, "M" when 1 m, and "Z" when 5 m.
Note 2) A type with a pre-wired connector is also selectable.
Example) -M9NSAPC
Note 3) Refer to the [Auto Switch Catalog](#) for further information on auto switches.

Number of auto switches/Mounting position

Symbol	Quantity	Mounting position
Nil	—	Without auto switch
A	2 pcs.	Valve open/closed
B	1 pc.	Valve open
C	1 pc.	Valve closed

**Bypass valve mounting position/
Pilot port direction**

Symbol	Mounting position	Symbol	Pilot port direction
1	Left flange surface	S	Flange side
		K	Left flange surface
		L	Rear flange surface
2	Right flange surface	S	Flange side
		L	Rear flange surface
		M	Right flange surface
3	Rear flange surface	K	Left flange surface
		L	Rear flange surface
		M	Right flange surface

* Flange: (A)

Seal material

Symbol	Seal material	Compound No.
Nil	FKM	1349-80
N1	EPDM	2101-80
P1	Barrel Perfluoro®	70W
Q1	Kalrez®	4079
R1	Chemraz®	SS592
R3		SSE38
S1	VMQ	1232-70
T1	FKM FOR PLASMA	3310-75
U1	ULTIC ARMOR®	UA4640
F1	FKM	—*

Barrel Perfluoro® is a registered trademark of Matsumura Oil Co., Ltd.
Kalrez® is a registered trademark of E. I. du Pont de Nemours and Company or its affiliates.
Chemraz® is a registered trademark of Greene, Tweed Technologies, Inc.
ULTIC ARMOR® is a registered trademark of VALQUA, LTD.
* Same specifications as the standard FKM type

When the seal material is not being changed, there is no need to select a symbol.

Seal material changed part

Symbol	Changed part	Leakage (Pa·m ³ /s(He) or less) (Note)	
		Internal	External
Nil	None	1.3 x 10 ⁻⁹ (FKM)	1.3 x 10 ⁻⁹ (FKM)
A	(2-1) (7-1) (4) (7-2) (8)	1.3 x 10 ⁻⁷	1.3 x 10 ⁻⁷
B	(2-1) (7-1)	1.3 x 10 ⁻⁷	1.3 x 10 ⁻⁹ (FKM)
C	(4) (7-2) (8)	1.3 x 10 ⁻⁹ (FKM)	1.3 x 10 ⁻⁷

Note 1) Values at normal temperature, excluding gas permeation.
Note 2) Refer to "Construction" on page 65 for changed part. Number indicates parts number of "Construction" accordingly.
Note 3) For option "F1," only "A" can be selected. The leakage amount is the same as that of "Nil" (standard FKM type).

Maintenance Parts

② Bonnet Assembly Part No.

XLG100-30-1H-1 M9NA-XN1

Bonnet assembly

Temperature	Part no.
5 to 60°C	XLG100-30-1-1
5 to 150°C	XLG100-30-1H-1

Same as How to Order

Specifications

Valve type	Main valve: Double acting	Bypass valve: Normally closed
Shaft seal type	O-ring seal	Bellows seal
Operating pressure range	Atmospheric pressure to 1 x 10 ⁻⁵ Pa	
Fluid	Inert gas under vacuum	
Operating temperature	5 to 60°C (Option: 5 to 150°C)	
Conductance	300 L/s*	Max. 31.5 L/s (Calculated value)
Operating pressure	0.4 to 0.6 MPa	
Flange	KF100, K100	
Weight	8.3 kg	

* Conductance is the value for the "molecular flow" of an elbow with the same dimensions.

⑧ Bypass Valve Part No.

XLA-16 - - **X65**

Pilot port direction

Symbol	Pilot port direction
Nil	Rear (as seen from body connection point)
K	Left (as seen from body connection point)
M	Right (as seen from body connection point)

Temperature specifications

Symbol	Temperature
Nil	5 to 60°C
H0	5 to 150°C

Seal material changed part

Symbol	Changed part
Nil	None
A	(7-1) (7-2)
B	(7-1)
C	(7-2)

Seal material: Same as the seal materials of How to Order Valve

How to Order Valve

XLGR-160 - 1 - **1K** - X

Flange type

Symbol	Type
Nil	KF (NW)
D	K (DN)

Main valve: Pilot port direction

Symbol	Pilot port direction
Nil	Flange side
K	Left flange surface
L	Rear flange surface
M	Right flange surface

* Flange: (A)

Temperature specifications

Symbol	Temperature	Heater
Nil	5 to 60°C	—
H0	5 to 150°C	—

Auto switch type (Operating temperature 5 to 60°C)

Symbol	Auto switch model	Switch type
Nil	—	Without auto switch (without built-in magnet)
M9N(M)(L)(Z)	D-M9N(M)(L)(Z)	Solid state auto switch
M9P(M)(L)(Z)	D-M9P(M)(L)(Z)	
M9B(M)(L)(Z)	D-M9B(M)(L)(Z)	
A90(L)	D-A90(L)	Reed auto switch
A93(M)(L)(Z)	D-A93(M)(L)(Z)	
M9//	—	Without auto switch (with built-in magnet)

- Note 1) Types with auto switches are not available in case of high temperature types.
Standard lead wire length is 0.5 m. Add "L" to the end of the part number when 3 m is desired, "M" when 1 m, and "Z" when 5 m.
- Note 2) A type with a pre-wired connector is also selectable.
Example) -M9NSAPC
- Note 3) Refer to the [Auto Switch Catalog](#) for further information on auto switches.

Number of auto switches/Mounting position

Symbol	Quantity	Mounting position
Nil	—	Without auto switch
A	2 pcs.	Valve open/closed
B	1 pc.	Valve open
C	1 pc.	Valve closed

**Bypass valve mounting position/
Pilot port direction**

Symbol	Mounting position	Symbol	Pilot port direction
1	Left flange surface	S	Flange side
		K	Left flange surface
		L	Rear flange surface
2	Right flange surface	S	Flange side
		L	Rear flange surface
		M	Right flange surface
3	Rear flange surface	K	Left flange surface
		L	Rear flange surface
		M	Right flange surface

* Flange: (A)

Seal material

Symbol	Seal material	Compound No.
Nil	FKM	1349-80
N1	EPDM	2101-80
P1	Barrel Perfluoro®	70W
Q1	Kalrez®	4079
R1	Chemraz®	SS592
R3		SSE38
S1	VMQ	1232-70
T1	FKM FOR PLASMA	3310-75
U1	ULTIC ARMOR®	UA4640
F1	FKM	—*

Barrel Perfluoro® is a registered trademark of Matsumura Oil Co., Ltd.
Kalrez® is a registered trademark of E. I. du Pont de Nemours and Company or its affiliates.
Chemraz® is a registered trademark of Greene, Tweed Technologies, Inc.
ULTIC ARMOR® is a registered trademark of VALQUA, LTD.

* Same specifications as the standard FKM type

When the seal material is not being changed, there is no need to select a symbol.

Seal material changed part

Symbol	Changed part	Leakage (Pa·m ³ /s(He) or less) (Note)	
		Internal	External
Nil	None	1.3 x 10 ⁻⁹ (FKM)	1.3 x 10 ⁻⁹ (FKM)
A	(2-1) (7-1) (4) (7-2) (8)	1.3 x 10 ⁻⁷	1.3 x 10 ⁻⁷
B	(2-1) (7-1)	1.3 x 10 ⁻⁷	1.3 x 10 ⁻⁹ (FKM)
C	(4) (7-2) (8)	1.3 x 10 ⁻⁹ (FKM)	1.3 x 10 ⁻⁷

- Note 1) Values at normal temperature, excluding gas permeation.
Note 2) Refer to "Construction" on page 67 for changed part. Number indicates parts number of "Construction" accordingly.
Note 3) For option "F1," only "A" can be selected. The leakage amount is the same as that of "Nil" (standard FKM type).

Maintenance Parts

② **Bonnet Assembly Part No.**

XLG160-30-1H-1 M9NA-XN1

Bonnet assembly

Temperature	Part no.
5 to 60°C	XLG160-30-1-1
5 to 150°C	XLG160-30-1H-1

Same as How to Order

Specifications

Valve type	Main valve: Double acting	Bypass valve: Normally closed
Shaft seal type	O-ring seal	Bellows seal
Operating pressure range	Atmospheric pressure to 1 x 10 ⁻⁵ Pa	
Fluid	Inert gas under vacuum	
Operating temperature	5 to 60°C (Option: 5 to 150°C)	
Conductance	800 L/s*	Max. 31.5 L/s (Calculated value)
Operating pressure	0.4 to 0.6 MPa	
Flange	KF160, K160	
Weight	15.7 kg	

* Conductance is the value for the "molecular flow" of an elbow with the same dimensions.

⑧ **Bypass Valve Part No.**

XLA-16 - - **X65**

Pilot port direction

Symbol	Pilot port direction
Nil	Rear (as seen from body connection point)
K	Left (as seen from body connection point)
M	Right (as seen from body connection point)

Seal material changed part

Symbol	Changed part
Nil	None
A	(7-1) (7-2)
B	(7-1)
C	(7-2)

Temperature specifications

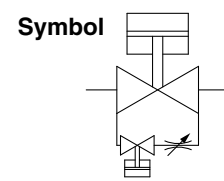
Symbol	Temperature
Nil	5 to 60°C
H0	5 to 150°C

Seal material: Same as the seal materials of How to Order Valve

Aluminum High Vacuum Angle Valve

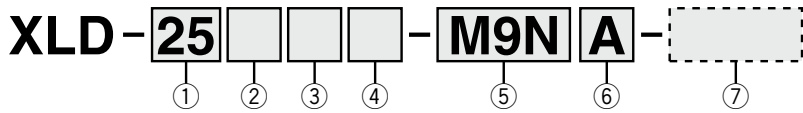
2-Step Control, Single Acting/Bellows Seal, O-ring Seal

XLD/XLDV Series



XLD

How to Order



① Flange size

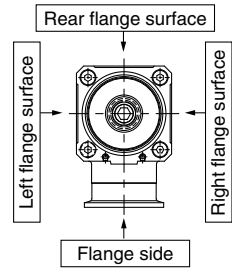
Size
25
40
50
63
80
100
160

② Flange type

Symbol	Type	Applicable flange
Nil	KF (NW)	25, 40, 50, 63, 80, 100, 160
D	K (DN)	63, 80, 100, 160

③ Pilot port direction

Symbol	Pilot port direction
Nil	Flange side
K	Left flange surface
L	Rear flange surface
M	Right flange surface



④ Temperature specifications/Heater

Symbol	Temperature	Heater
Nil	5 to 60°C	—
High temperature type	H0	—
	H4	With 100°C heater
	H5	With 120°C heater

Note 1) Size 25 is not applicable for H4.
 Note 2) Heater cannot be retrofitted for the H0 type.

⑤ Auto switch type

Symbol	Auto switch model	Remarks
Nil	—	Without auto switch (without built-in magnet)
M9N(M)(L)(Z)	D-M9N(M)(L)(Z)	Solid state auto switch
M9P(M)(L)(Z)	D-M9P(M)(L)(Z)	
M9B(M)(L)(Z)	D-M9B(M)(L)(Z)	
A90(L)	D-A90(L)	Reed auto switch
A93(M)(L)(Z)	D-A93(M)(L)(Z)	
M9//	—	Without auto switch (with built-in magnet)

Note 1) Auto switches shown above cannot be mounted on the high temperature type. For the high temperature type, a semi-standard product that uses the heat resistant auto switch D-F7NJ* is available. For details, please contact SMC.
 Note 2) Standard lead wire length is 0.5 m. Add "L" to the end of the part number when 3 m is desired, "M" when 1 m, and "Z" when 5 m.
 Example) -M9NL
 Note 3) A type with a pre-wired connector is also selectable. Example) -M9NSAPC
 Note 4) Refer to the [Auto Switch Catalog](#) for further information on auto switches.

⑥ Number of auto switches/Mounting position

Symbol	Quantity	Mounting position
Nil	Without auto switch	—
A	2 pcs.	Valve open/closed
B	1 pc.	Valve open
C	1 pc.	Valve closed

⑦ Body surface treatment/Seal material and its changed part

• Body surface treatment

Symbol	Surface treatment
Nil	External: Hard anodized Internal: Raw material
A	External: Hard anodized Internal: Oxalic acid anodized

• Seal material

Symbol	Seal material	Compound No.
Nil	FKM	1349-80*
N1	EPDM	2101-80*
P1	Barrel Perfluoro®	70W
Q1	Kalrez®	4079
R1	Chemraz®	SS592
R3		SSE38
S1	VMQ	1232-70*
T1	FKM for Plasma	3310-75*
U1	ULTIC ARMOR®	UA4640
F1	FKM	—**

* Produced by Mitsubishi Cable Industries, Ltd.
 ** Same specifications as the standard FKM type

• Seal material changed part and leakage

Symbol	Changed part ^{Note 2)}	Leakage (Pa · m ³ /s(He) or less) ^{Note 1)}	
		Internal	External
Nil	None	1.3 x 10 ⁻¹⁰ (FKM)	1.3 x 10 ⁻¹¹ (FKM)
A	②, ③, ④, ⑤	1.3 x 10 ⁻⁸	1.3 x 10 ⁻⁹
B	②, ④, ⑤	1.3 x 10 ⁻⁸	1.3 x 10 ⁻¹¹ (FKM)
C	③	1.3 x 10 ⁻¹⁰ (FKM)	1.3 x 10 ⁻⁹

Note 1) Values at normal temperature, excluding gas permeation.
 Note 2) Refer to parts number of "Construction" on page 72 for changed part. Number indicates parts number of "Construction" accordingly.
 Note 3) For option "F1," only "A" can be selected. The leakage amount is the same as that of "Nil" (standard FKM type).

To order something other than "Nil" (standard), list the symbols starting with "X," followed by each symbol for "body surface treatment," "seal material" and then "changed part".

Example) XLD-25-M9NA-XAN1A

Barrel Perfluoro® is a registered trademark of Matsumura Oil Co., Ltd.
 Kalrez® is a registered trademark of E. I. du Pont de Nemours and Company or its affiliates.
 Chemraz® is a registered trademark of Greene, Tweed Technologies, Inc.
 ULTIC ARMOR® is a registered trademark of VALQUA, LTD.



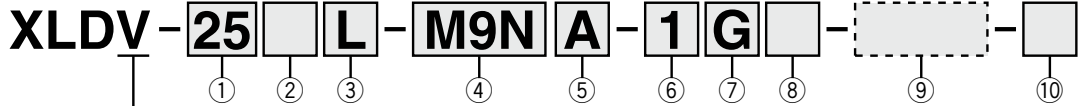
Air Operated/with Solenoid Valve



XLDV



How to Order



● Air operated/with solenoid valve

① Flange size

Size
25
40
50
63
80
100
160

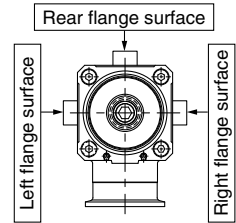
② Flange type

Symbol	Type	Applicable flange
Nil	KF (NW)	25, 40, 50, 63, 80 100, 160
D	K (DN)	63, 80, 100, 160

③ Solenoid valve direction

Symbol	Solenoid valve direction
K	Left flange surface
L	Rear flange surface
M	Right flange surface

* M type is not available for size 25.



④ Auto switch type

Symbol	Auto switch model	Remarks
Nil	—	Without auto switch (without built-in magnet)
M9N(M)(L)(Z)	D-M9N(M)(L)(Z)	Solid state auto switch
M9P(M)(L)(Z)	D-M9P(M)(L)(Z)	
M9B(M)(L)(Z)	D-M9B(M)(L)(Z)	
A90(L)	D-A90(L)	Reed auto switch
A93(M)(L)(Z)	D-A93(M)(L)(Z)	
M9//	—	Without auto switch (with built-in magnet)

Note 1) Standard lead wire length is 0.5 m. Add "L" to the end of the part number when 3 m is desired, "M" when 1 m, and "Z" when 5 m. Example) -M9NL
 Note 2) A type with a pre-wired connector is also selectable. Example) -M9NSAPC
 Note 3) Refer to the [Auto Switch Catalog](#) for further information on auto switches.

⑤ Number of auto switches/Mounting position

Symbol	Quantity	Mounting position
Nil	Without auto switch	—
A	2 pcs.	Valve open/closed
B	1 pc.	Valve open
C	1 pc.	Valve closed

⑥ Rated voltage

	CE/UKCA-compliant
1	100 VAC, 50/60 Hz
2	200 VAC, 50/60 Hz
3	110 VAC, 50/60 Hz
4	220 VAC, 50/60 Hz
5	24 VDC
6	12 VDC

⑦ Electrical entry

G	Grommet (Lead wire length 300 mm)
H	Grommet (Lead wire length 600 mm)
L	L type plug connector
M	M type plug connector

⑧ Light/Surge voltage suppressor

Nil	None
S	With surge voltage suppressor
Z	With light/surge voltage suppressor
U	With light/surge voltage suppressor (Non-polar type)

* S type: Not available for AC.
 * U type: DC only.

⑩ CE/UKCA-compliant

Nil	—
Q	CE/UKCA-compliant

⑨ Body surface treatment/Seal material and its changed part

• Body surface treatment

Symbol	Surface treatment
Nil	External: Hard anodized Internal: Raw material
A	External: Hard anodized Internal: Oxalic acid anodized

• Seal material

Symbol	Seal material	Compound No.
Nil	FKM	1349-80*
N1	EPDM	2101-80*
P1	Barrel Perfluoro®	70W
Q1	Kalrez®	4079
R1	Chemraz®	SS592
R3		SSE38
S1	VMQ	1232-70*
T1	FKM for Plasma	3310-75*
U1	ULTIC ARMOR®	UA4640
F1	FKM	—**

* Produced by Mitsubishi Cable Industries, Ltd. ** Same specifications as the standard FKM type

Barrel Perfluoro® is a registered trademark of Matsumura Oil Co., Ltd.
 Kalrez® is a registered trademark of E. I. du Pont de Nemours and Company or its affiliates.
 Chemraz® is a registered trademark of Greene, Tweed Technologies, Inc.
 ULTIC ARMOR® is a registered trademark of VALQUA, LTD.

• Seal material changed part and leakage

Symbol	Changed part	Leakage (Pa·m ³ /s(He) or less) Note 1)	
		Internal	External
Nil	None	1.3 x 10 ⁻¹⁰ (FKM)	1.3 x 10 ⁻¹¹ (FKM)
A	②, ③, ④, ⑤	1.3 x 10 ⁻⁸	1.3 x 10 ⁻⁹
B	②, ④, ⑤	1.3 x 10 ⁻⁸	1.3 x 10 ⁻¹¹ (FKM)
C	③	1.3 x 10 ⁻¹⁰ (FKM)	1.3 x 10 ⁻⁹

Note 1) Values at normal temperature, excluding gas permeation.
 Note 2) Refer to parts number of "Construction" on page 72 for changed part. Number indicates parts number of "Construction" accordingly.
 Note 3) For option "F1," only "A" can be selected. The leakage amount is the same as that of "Nil" (standard FKM type).

To order something other than "Nil" (standard), list the symbols starting with "X," followed by each symbol for "body surface treatment," "seal material" and then "changed part".

Example) XLDV-25-M9NA-1G-XAN1A

Note 1) Option specifications/Combinations
 This model has auto switch and K(DN) flange options, but high temperature/heater options are not available.

Note 2) Solenoid valves

Model	Initial exhaust valve	Main exhaust valve	Example
XLDV-25	V114	V114	V114-1GS
XLDV-40/50/63/80/100/160		SYJ314	SYJ314-1GS

* For option "Q", the solenoid valve should be a CE/UKCA-compliant product.

XLD/XLDV Series

Specifications

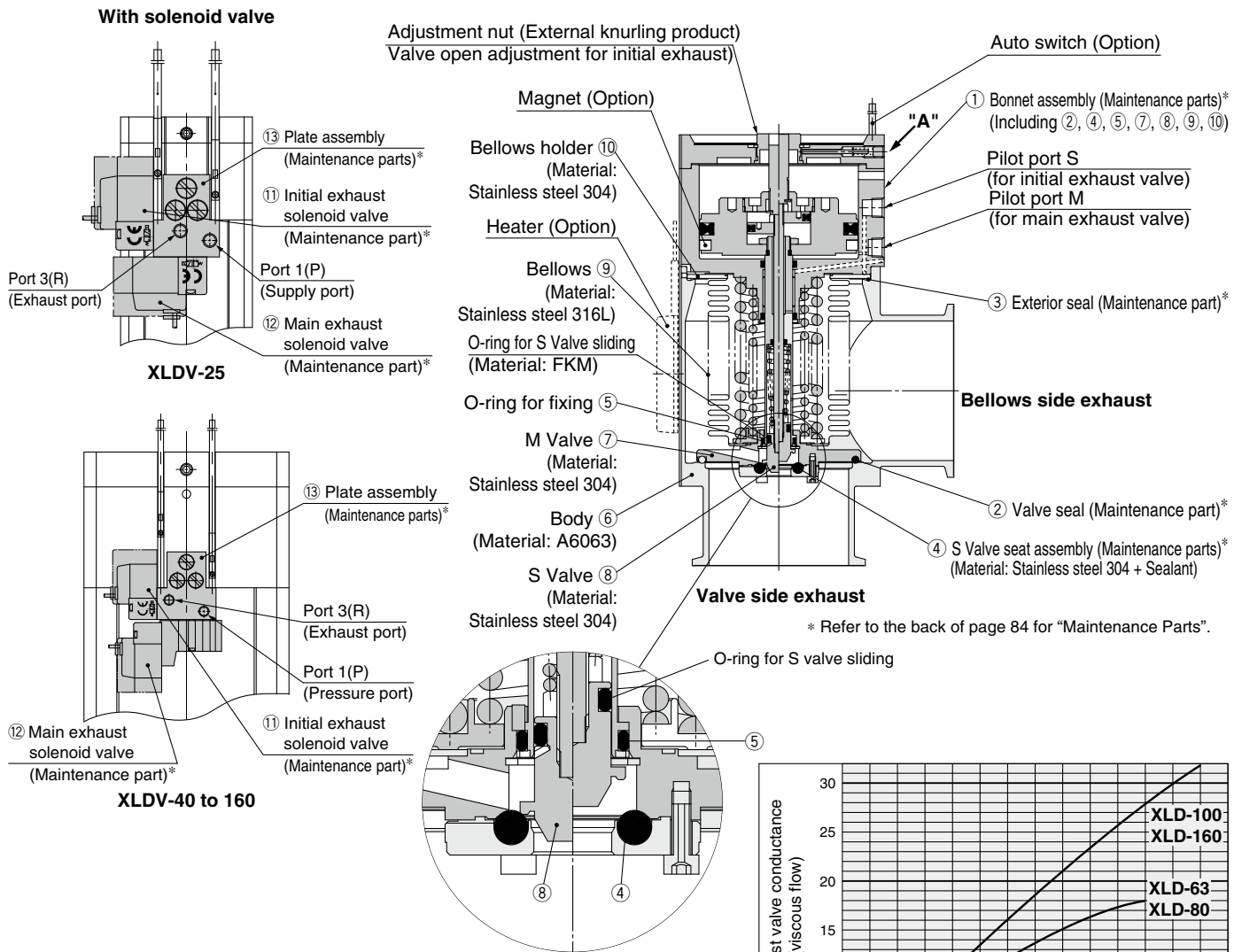
Model		XLD(V)-25	XLD(V)-40	XLD(V)-50	XLD(V)-63	XLD(V)-80	XLD(V)-100	XLD(V)-160
Valve type		Normally closed (Spring Return and seal) [Both main & initial exhaust valves]						
Fluid		Inert gas under vacuum						
Operating temperature (°C)	XLD	5 to 60 (High temperature type: 5 to 150)						
	XLDV	5 to 50						
Operating pressure (Pa) (abs)		1 x 10 ⁻⁶ to atmospheric pressure						
Conductance (L/s) <small>Note 1)</small>	Main exhaust valve	14	45	80	160	200	300	800
	Initial exhaust valve	0.5 to 3	2 to 8	2.5 to 11	4 to 18	4 to 18	6.5 to 31.5	6.5 to 31.5
Leakage (Pa·m³/s) (He)	Internal	In case of standard material FKM: 1.3 x 10 ⁻¹⁰ at normal temperature, excluding gas permeation						
	External	In case of standard material FKM: 1.3 x 10 ⁻¹¹ at normal temperature, excluding gas permeation						
Flange type		KF (NW)			KF (NW), K (DN)			
Principal materials <small>Note 3)</small>		Body: Aluminum alloy, Bellows: Stainless steel 316L, Main part: Stainless steel, FKM (Standard seal material)						
Surface treatment		External: Hard anodized Internal: Raw material						
Pilot pressure (MPa) (G)		0.4 to 0.7 [Both main & initial exhaust valves]						
Pilot port size	XLD	M5	Rc1/8					Rc1/4
	XLDV	M5: Port 1(P), Port 3(R)						
Weight (kg)	XLD	0.5	1.2	1.8	3.4	5.6	11.5	20
	XLDV	0.57	1.3	1.9	3.5	5.7	11.6	20.1

Note 1) The main exhaust valve conductance is the valve for the "molecular flow" of an elbow with the same dimensions. The initial exhaust valve conductance is the value for the "viscous flow".

Note 2) For valve heater specifications, refer to "Common Option [1] Heater" on page 80.

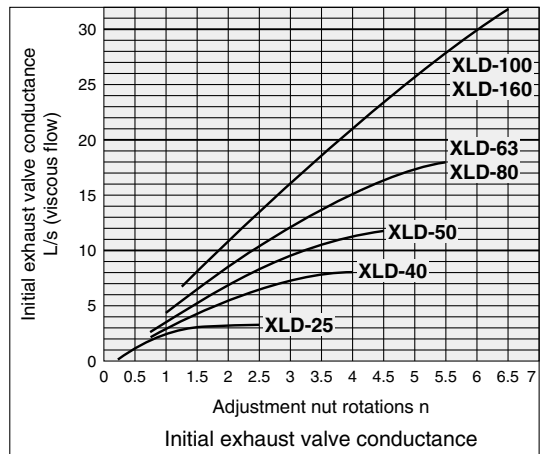
Note 3) A coating of vacuum grease [Y-VAC2] is applied to the seal-material sliding portion (initial exhaust valves sliding parts) of the vacuum part.

Construction/Operation



<Working principle>

- 1 Initial exhaust valve opening adjustment**
The initial exhaust rate should be adjusted without applying the pilot pressure to the pilot port S before operation. The initial exhaust rate is set to zero by gently turning the adjustment nut clockwise until it stops. (Do not use any tools.) The initial exhaust rate is adjusted by turning the adjustment nut counterclockwise.
- 2 Opening of the initial exhaust valve (valve S)**
When the pilot pressure is applied to the pilot port S, the valve S is removed from the valve S seal assembly, and the valve opens the adjusted amount. For the XLDV, when the pilot pressure is always applied to the port 1(P) and the initial exhaust solenoid valve is turned ON, the valve opens the adjusted amount.
- 3 Opening of the main exhaust valve (valve M)**
When the pilot pressure is applied to the pilot port M, the valve M is removed from the body seat portion, and the valve fully opens. For the XLDV, when the pilot pressure is applied to the port 1(P) and the initial exhaust solenoid valve is turned ON, the valve fully opens.
- 4 Closing of the initial exhaust / main exhaust valves**
By removing the pilot pressure from the pilot port S and pilot port M, both S and M valves return to their previous positions and they are sealed. For the XLDV, by turning OFF the initial exhaust valve and main exhaust valve, both S and M valves return to their previous positions and they are sealed.



<Options>

- Auto switch:** The magnet actuates the auto switch. With two auto switches, the open and closed positions are detected, and with one auto switch, either the open or closed position is detected. Auto switches are applicable at ordinary temperatures only (5 to 60°C).
- Heater:** Simple heating is performed using thermistors. The valve body can be heated to approximately 100 or 120°C, depending on the heater option and valve size. The type and number of thermistors to be used will vary depending upon size and setting temperature. In the case of high temperature specifications, the bonnet assembly is a heat resistant structure. This is not available with solenoid valve.

Note) The adjustment nut does not rotate during valve operation. However, rotation of the adjustment nut can be fixed to prevent incorrect operation. When fixing the adjustment nut after setting, tighten it with the tightening torque shown in the table below. (Tightening with excessive torque can result in damaged components or the generation of abnormal noise.)

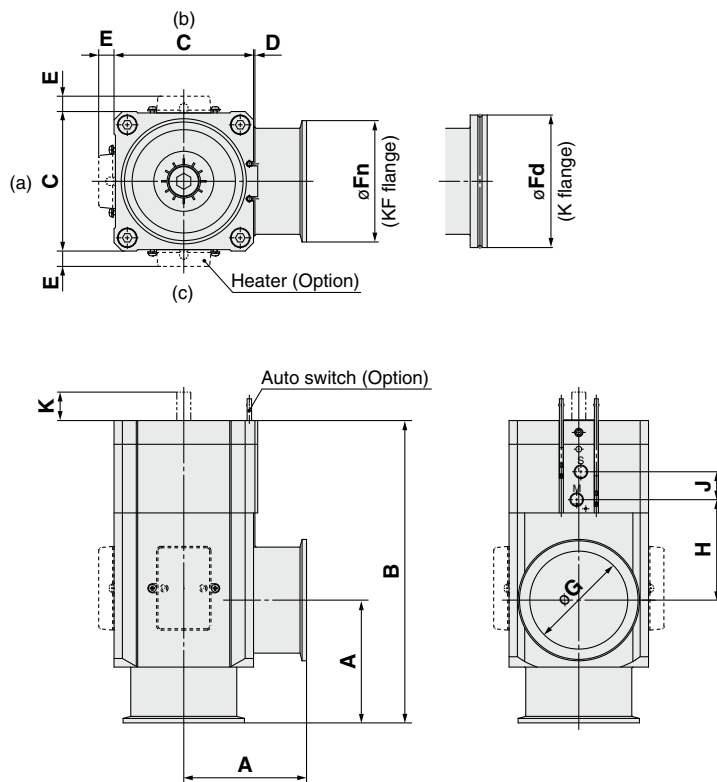
"A" Section Thread Tightening Torque

Model	XLD(V)-25	XLD(V)-40	XLD(V)-50	XLD(V)-63	XLD(V)-80	XLD(V)-100	XLD(V)-160
Tightening torque	0.08 N·m (0.8 kgf·cm) or less			0.3 N·m (3 kgf·cm) or less			

XLD/XLDV Series

Dimensions

XLD/Air operated



Model	A	B	C	D	E	F _n	F _d	G	H	J	K
XLD-25	50	123	48	1	12	40	-	26	41	16	7.5
XLD-40	65	170	66	2	11	55	-	41	63	20	15
XLD-50	70	183	79	2	11	75	-	52	68	20	17.5
XLD-63	88	217	100	3	11	87	95	70	72	20	20
XLD-80	90	256	117	3	11	114	110	83	98	20	26.5
XLD-100	108	321	154	3	11	134	130	102	133	20	38
XLD-160	138	335	200	3	11	190	180	153	114	30	40

Note 1) Dimension E applies when heater option is included. (Lead wire length: approx. 1 m)

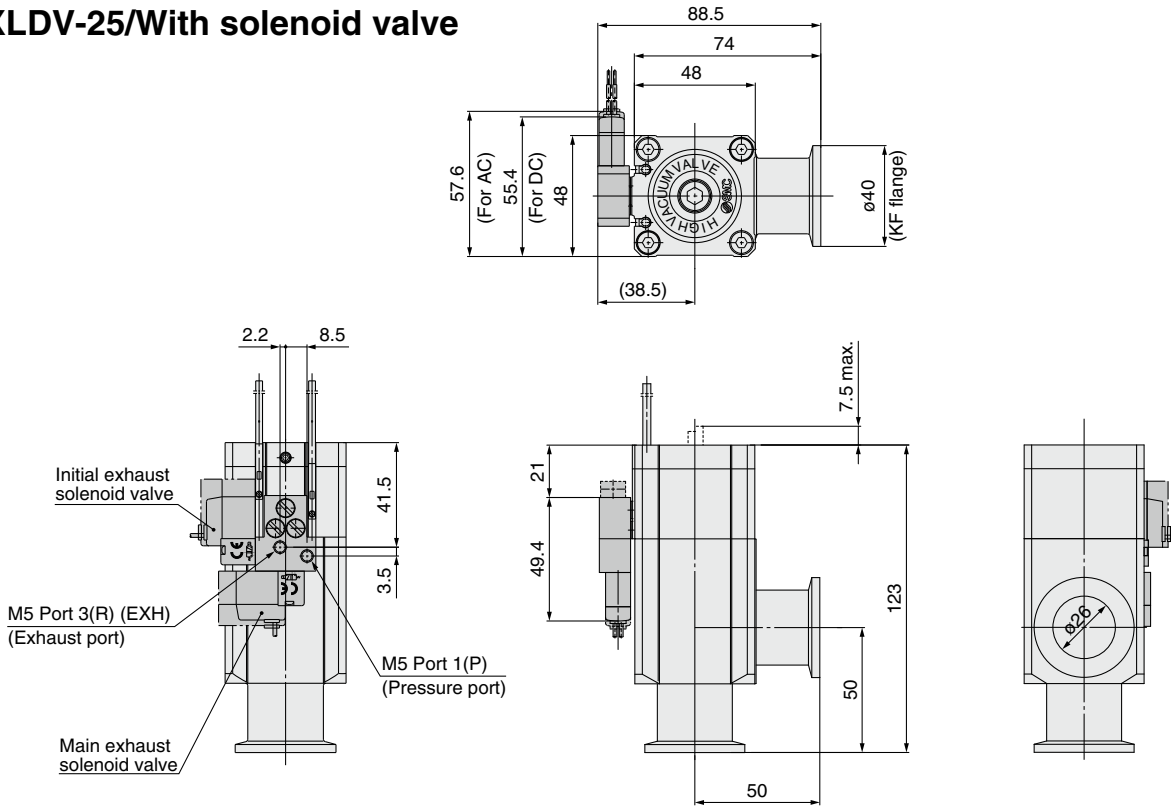
Note 2) (a), (b) and (c) in the above drawing indicate heater mounting positions.

Moreover, heater mounting positions will differ depending on the type of heater.

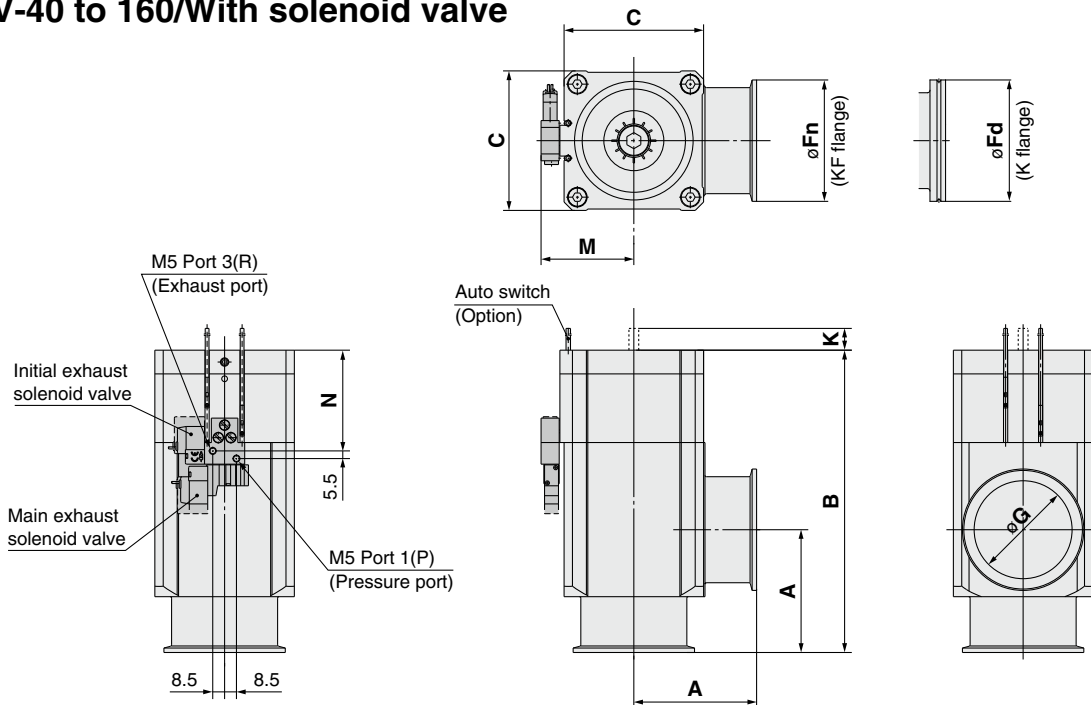
For details, refer to Common Option [2] Mounting position of the heater on page 80.

Dimensions

XLDV-25/With solenoid valve



XLDV-40 to 160/With solenoid valve

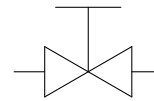


	(mm)									
Model	A	B	C	F _n	F _d	G	M	N	K	
XLDV-40	65	170	66	55	—	41	48.5	53.5	15	
XLDV-50	70	183	79	75	—	52	55	57.5	17.5	
XLDV-63	88	217	100	87	95	70	66.5	72.2	20	
XLDV-80	90	256	117	114	110	83	75	82.6	26.5	
XLDV-100	108	321	154	134	130	102	93.5	95.2	38	
XLDV-160	138	335	200	190	180	153	116.5	101.2	40	

Aluminum High Vacuum Angle Valve Manual/Bellows Seal *XLH Series*

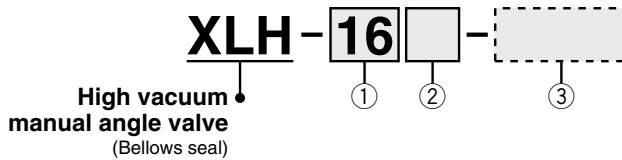


Symbol



XLH

How to Order



① Flange size

Size
16
25
40
50

② Heater

Symbol	Heater	Applicable flange size			
		16	25	40	50
Nil	—	●	●	●	●
H4	With 100°C heater	—	—	●	●
H5	With 120°C heater	—	●	●	●

Note 1) Size 16 is not applicable for H4, H5, Size 25 not for H4.

Note 2) Heater cannot be retrofitted for the H0 type.

③ Body surface treatment/Seal material and its changed part

• Body surface treatment

Symbol	Surface treatment
Nil	External: Hard anodized Internal: Raw material
A	External: Hard anodized Internal: Oxalic acid anodized

• Seal material

Symbol	Seal material	Compound No.
Nil	FKM	1349-80*
N1	EPDM	2101-80*
P1	Barrel Perfluoro®	70W
Q1	Kalrez®	4079
R1	Chemraz®	SS592
R3		SSE38
S1	VMQ	1232-70*
T1	FKM for Plasma	3310-75*
U1	ULTIC ARMOR®	UA4640
F1	FKM	—**

* Produced by Mitsubishi Cable Industries, Ltd.

** Same specifications as the standard FKM type

• Seal material changed part and leakage

Symbol	Changed part ^{Note 2)}	Leakage (Pa·m ³ /s(He) or less) ^{Note 1)}	
		Internal	External
Nil	None	1.3 x 10 ⁻¹⁰ (FKM)	1.3 x 10 ⁻¹¹ (FKM)
A	②, ③	1.3 x 10 ⁻⁸	1.3 x 10 ⁻⁹
B	②	1.3 x 10 ⁻⁸	1.3 x 10 ⁻¹¹ (FKM)
C	③	1.3 x 10 ⁻¹⁰ (FKM)	1.3 x 10 ⁻⁹

Note 1) Values at normal temperature, excluding gas permeation.

Note 2) Refer to parts number of "Construction" on page 76 for changed part. Number indicates parts number of "Construction" accordingly.

Note 3) For option "F1," only "A" can be selected. The leakage amount is the same as that of "Nil" (standard FKM type).

To order something other than "Nil" (standard), list the symbols starting with "X", followed by each symbol for "body surface treatment", "seal material" and then "changed part".

Example) XLH-16-XAN1A

Barrel Perfluoro® is a registered trademark of Matsumura Oil Co., Ltd.
Kalrez® is a registered trademark of E. I. du Pont de Nemours and Company or its affiliates.
Chemraz® is a registered trademark of Greene, Tweed Technologies, Inc.
ULTIC ARMOR® is a registered trademark of VALQUA, LTD.

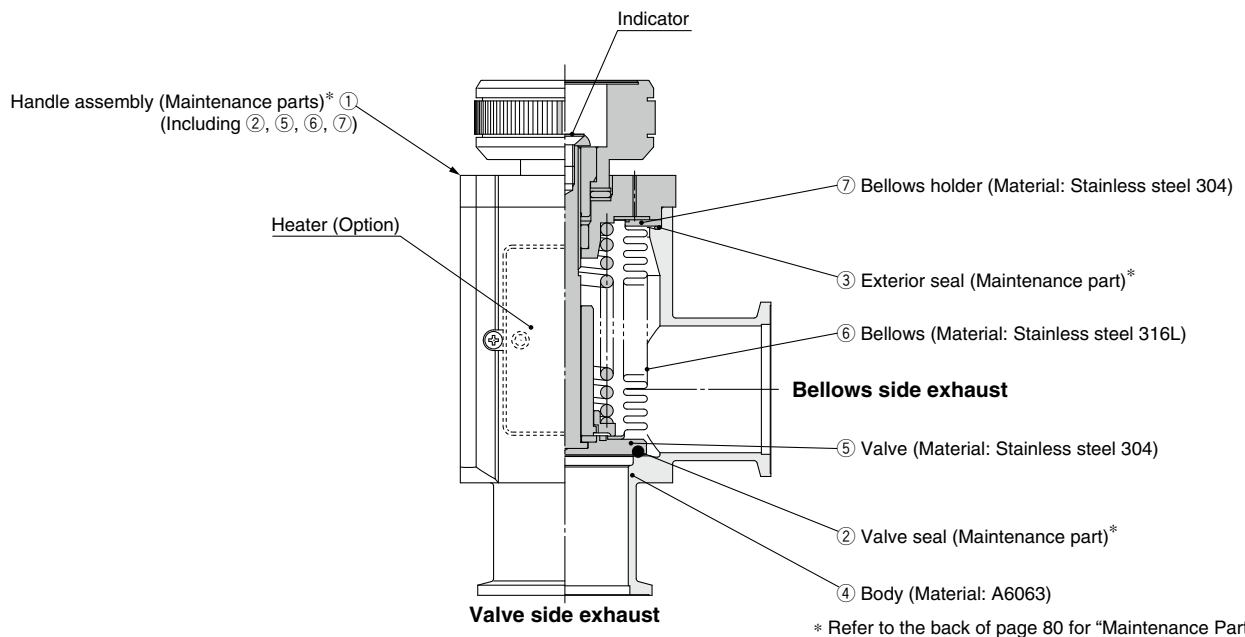
Specifications

Model	XLH-16	XLH-25	XLH-40	XLH-50
Valve type	Inert gas under vacuum			
Fluid (°C)	5 to 150			
Operating pressure (Pa) (abs)	10 ⁻⁶ to atmospheric pressure			
Conductance (L/s) ^{Note 1)}	5	14	45	80
Leakage (Pa·m ³ /s) (He)	Internal	In case of standard material FKM: 1.3 x 10 ⁻¹⁰ at normal temperature, excluding gas permeation		
	External	In case of standard material FKM: 1.3 x 10 ⁻¹¹ at normal temperature, excluding gas permeation		
Flange type	KF (NW)			
Principal materials	Body: Aluminum alloy, Bellows: Stainless steel 316L, Main part: Stainless steel, FKM (Standard seal material)			
Surface treatment	External: Hard anodized		Internal: Raw material	
Actuation torque (N·m)	0.1 ≤	0.15 ≤	0.35 ≤	0.5 ≤
Handle revolutions	5	7	10	13
Weight (kg)	0.23	0.41	1.05	1.62

Note 1) The conductance is the same as that of an elbow of the same dimensions.

Note 2) For valve heater specifications, refer to "Common Option [1] Heater" on page 80.

Construction/Operation



<Working principle>

By turning the handle to the left, the valve opens. The handle does not move up and down, but the indicator shows the open or closed position of the valve. As the handle is turned to the right, the valve closes, and when the turning force of the handle suddenly ceases to be felt, the valve is sealed. The sealing force for the valve comes from the spring, and is constant.

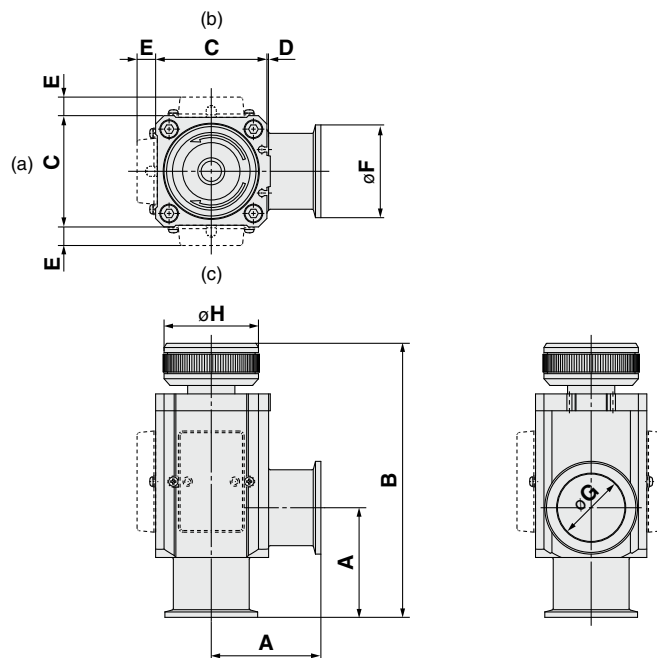
<Options>

Heater: Simple heating is performed using thermistors. The valve body can be heated to approximately 100 or 120°C, depending on the valve size.

The type and number of thermistors to be used will vary depending upon size and setting temperature.

Indicator: When the valve is open, an orange marker appears in the center of the name plate.

Dimensions



Model	A	B	C	D	E (Note 1)	F	G	H
XLH-16	40	100.5	38	1	—	30	17	35
XLH-25	50	114	48	1	12	40	26	41
XLH-40	65	162.5	66	2	11	55	41	57
XLH-50	70	179.5	79	2	11	75	52	70

Note 1) Dimension E applies when heater option is included. (Lead wire length: approx. 1 m)

Note 2) (a), (b) and (c) in the above drawing indicate heater mounting positions.

Moreover, heater mounting positions will differ depending on the type of heater.

For details, refer to Common Option [2] Mounting position of the heater on page 80.

Aluminum High Vacuum Angle Valve Electromagnetic/Bellows Pressure Balance **XLS Series**

How to Order



Electrical entry

G	Grommet
C	Conduit
T	Terminal
D	DIN terminal

Starting voltage

5	24 VDC
---	--------

Note 1) Holding voltage is 25% of starting voltage.

Note 2) For other rated voltages (48, 100 VDC), please consult with SMC.

CE/UKCA-compliant

Nil	—
Q (Note)	CE/UKCA-compliant

Note) DIN terminal "D" only for 100 VDC

Without control power supply

XLS — **25** — **5** **G** — 

With control power supply

XLS — **25** — **P** **1** **G**

High vacuum angle valve

(Bellows pressure balance,
2-stage voltage switching type)

Valve size

16	KF16
25	KF25

Electrical entry

G	Grommet
---	---------

Voltage

1	100 VAC
2	200 VAC
5	24 VDC

Control power supply

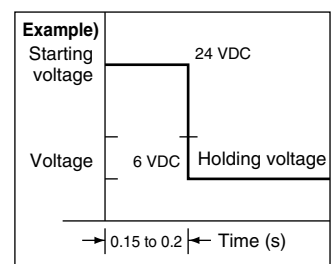
P	With control power supply
---	---------------------------

Note) There are no CE/UKCA-compliant products with the control power supply.



Warning

(1) In case there is no control power supply (XLS-25-□□: 24/48/100 VDC), starting voltage should be applied for only 0.15 to 0.2 s, in accordance with the prescribed method (indicated on the back of the coil). Continuously applying starting voltage can cause overheating of the coil and fire. Holding voltage is 25% of the starting voltage (the application method is shown on the back of the solenoid coil).



Specifications

Model		XLS-16	XLS-25	XLS-16-P□G	XLS-25-P□G
Valve type		Normally closed (N.C.)			
Fluid		Inert gas under vacuum			
Operating temperature (°C)		5 to 40			
Operating pressure (Pa)		0.1 MPa (G) to 1 x 10 ⁻⁶ (abs)			
Conductance (L/s) ^{Note 1)}		5	8	5	8
Leakage (Pa·m ³ /s) (He)	Internal	1.3 x 10 ⁻⁸ at normal temperature, excluding gas permeation			
	External	1.3 x 10 ⁻¹¹ at normal temperature, excluding gas permeation			
Flange type/size		KF16	KF25	KF16	KF25
Principal materials ^{Note 2)}		Body: Aluminum alloy, Main part: Stainless steel, PFA, FKM (Standard seal material)			
Surface treatment		External: Hard anodized		Internal: Raw material	
Control power supply		No		Yes	
Operating power supply voltage		24/6, 48/12, 100/24 VDC		24 VDC, 100/200 VAC	
Allowable voltage fluctuation (%)				±10	
Electrical entry		G, C, D, T type		G type only	
Lead wire		AWG20, O.D.: 2.63 mm		VCTF2 x 0.75, O.D.: 2.3 mm, Sheath O.D.: 6.6 mm	
Coil insulation		Class B			
Maximum operating frequency (Hz)		0.17			
Weight (kg)		0.4	0.7	0.7	1.0

Note 1) Conductance is the value for an elbow with the same dimensions.

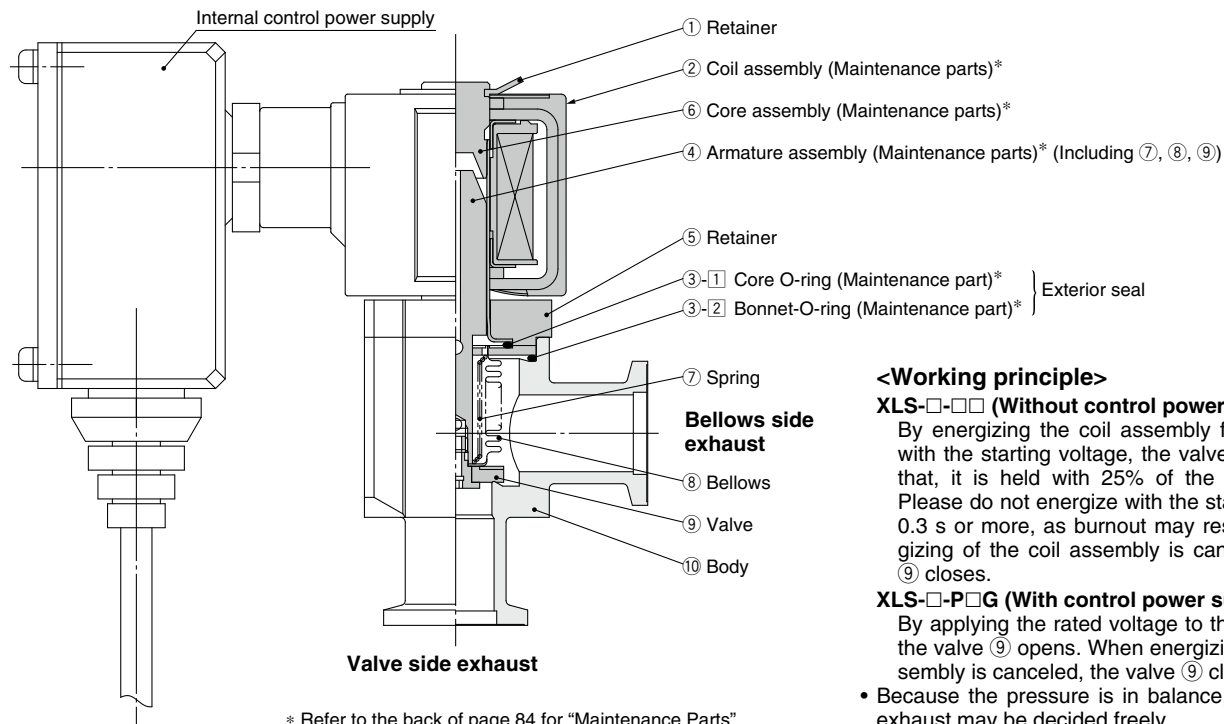
Note 2) A coating of vacuum grease [Y-VAC3] is applied to the valve seat of the vacuum part.

Power/Voltage

At the Rated Voltage

Model		Starting		Holding		
		Power (W)	Current (A)	Power (W)	Current (A)	
XLS-16-	□G/C/D/T, P5G	36	1.5	4.8	0.38	
	P1G	50 Hz	30.5	0.47	14.8	0.35
		60 Hz			10	0.27
	P2G	50 Hz	30	0.24	4.9	0.11
		60 Hz			2.3	0.10
	XLS-25-	□G/C/D/T, P5G	47	2.0	5.3	0.5
P1G		50 Hz	42	0.62	20	0.46
		60 Hz			13.5	0.36
P2G		50 Hz	45	0.35	6.7	0.15
		60 Hz			3.0	0.12

Construction/Operation



<Working principle>

XLS-□-□□ (Without control power supply)

By energizing the coil assembly for 0.15 to 0.2 s with the starting voltage, the valve ⑨ opens. After that, it is held with 25% of the starting voltage. Please do not energize with the starting voltage for 0.3 s or more, as burnout may result. When energizing of the coil assembly is canceled, the valve ⑨ closes.

XLS-□-P□G (With control power supply)

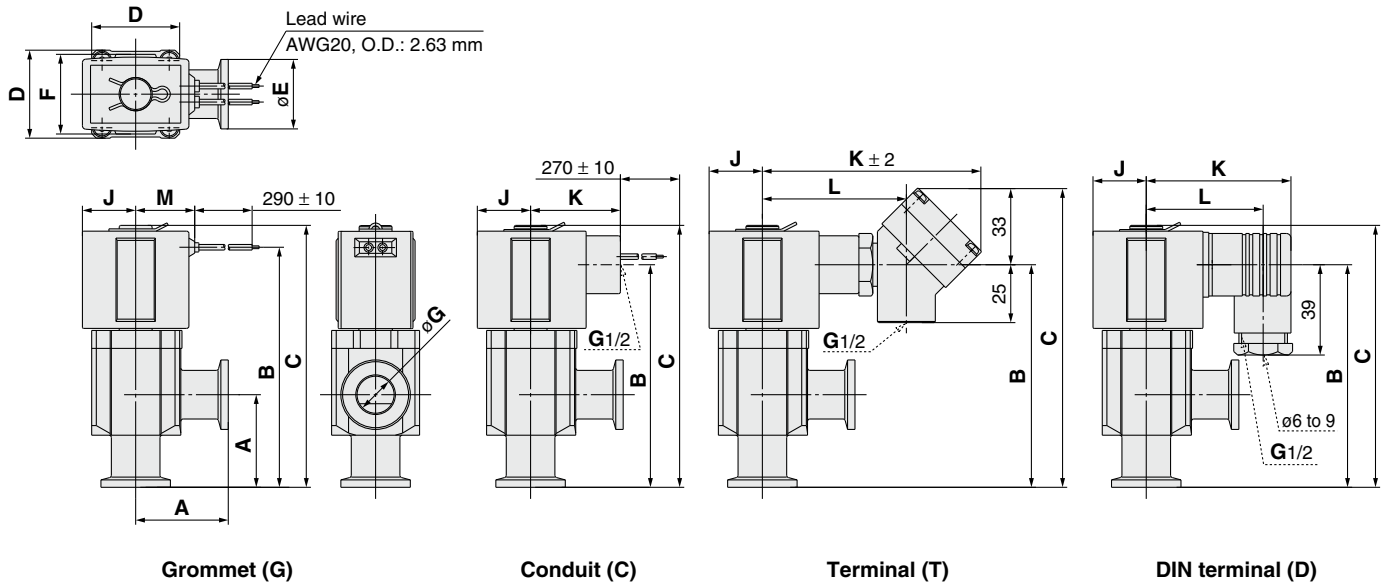
By applying the rated voltage to the coil assembly, the valve ⑨ opens. When energizing of the coil assembly is canceled, the valve ⑨ closes.

- Because the pressure is in balance, the direction of exhaust may be decided freely.

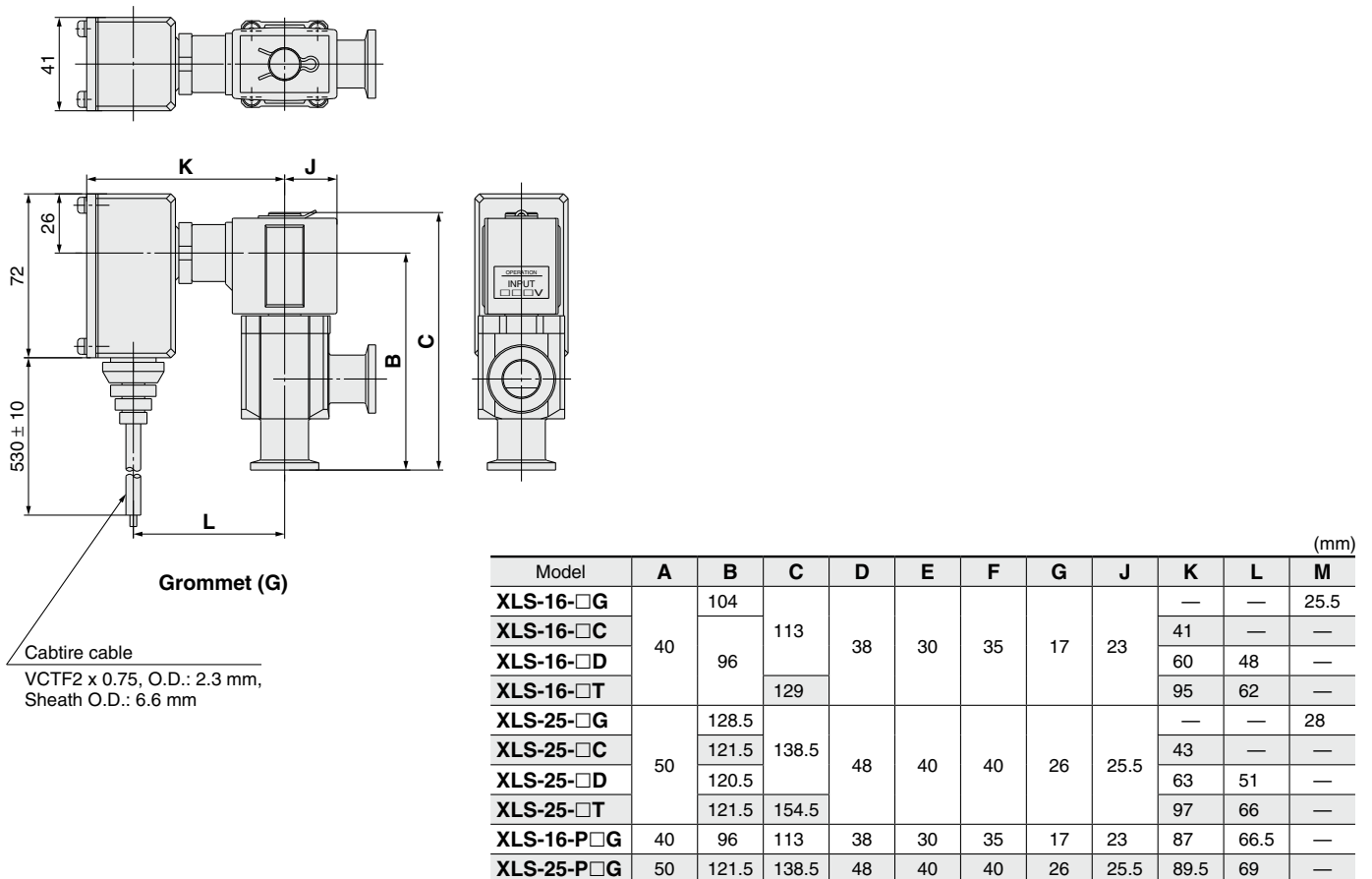
XLS Series

Dimensions

XLS/Without control power supply



XLS/With control power supply



XL□ Series Common Option

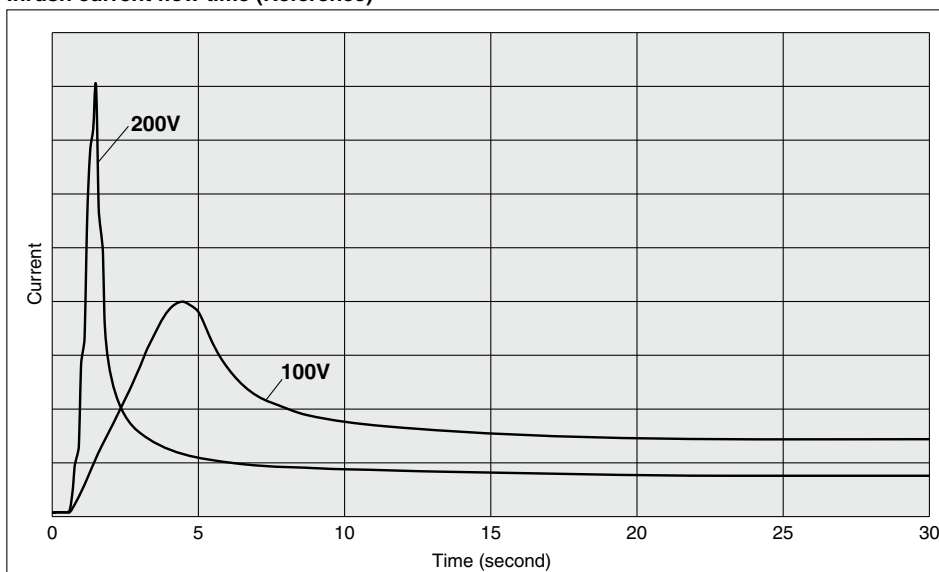
1 Heater

Valve heaters are common for models **XLA, XLC, XLD, XLF, XLG** and **XLH**. Power consumption specifications are shown in the below table.

Item		XL□-25	XL□-40	XL□-50	XL□-63	XL□-80	XL□-100	XL□-160	
Rated heater voltage		90 to 240 VAC							
Heater assembly quantity used Heater power W (Nominal value) In-rush/Power consumption (Option symbol-Operating voltage)	Heater assembly quantity	—	1 pc.	1 pc.	1 pc.	1 pc.	2 pcs.	3 pcs.	
	H4 100°C	100V	—	200/40	200/50	400/100	600/150	800/220	1200/350
		200V	—	800/45	800/55	1600/110	2400/165	3200/240	4800/385
	H5 120°C	100V	200/40	400/70	400/80	600/130	800/180	1200/300	1600/400
200V		800/45	1600/90	1600/90	2400/145	3200/200	4800/330	6400/440	

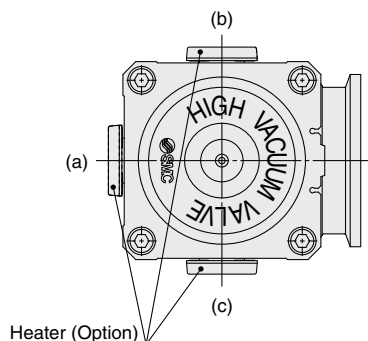
- * The inrush current of the heater flows for several ten seconds when using 100V while it flows for several seconds when using 200V. However, this inrush current decreases momentarily.
- * When the valve uses multiple heater assemblies, do not turn ON the power to each heater assembly at the same time. Turn ON the power to each heater assembly one-by-one in order at intervals of 30 sec. since the inrush current is large.
- * The heater temperature will decrease several % from the start of heating and then becomes stable. (The heater temperature may decrease approximately 5 to 10% due to individual differences.)
- * Refer to "Maintenance Parts" on page 84 for further details regarding quantity and type.
- * As the stable temperature of the heated product may vary by approx. ± 10 to 15% due to instrumental error, be aware that the temperature specifications are to be used as a guide only (H4: 100°C and H5: 120°C).

Inrush current flow time (Reference)



2 Mounting position of the heater

Heater symbol	XL□-25	XL□-40	XL□-50	XL□-63	XL□-80	XL□-100	XL□-160
H4 (100°C)	—	(a)	(a)	(b), (c)	(a), (b), (c)	(b), (c)	(a), (b), (c)
H5 (120°C)	(a)	(b), (c)	(b), (c)	(a), (b), (c)	(b), (c)	(a), (b), (c)	(b), (c)





XL Series

Specific Product Precautions 1

Be sure to read this before handling the products.

Air Operated Angle Valves/XLA(V), XLC(V), XLD(V), XLF(V), XLG(V) Series

Design

⚠ Warning

• All models

1. The body material is A6063, the bellows are stainless steel 316L, and other metal seal material is stainless steel 304. Standard seal material in the vacuum section is FKM that can be changed to the other materials (please refer to "How to Order"). Use fluids which are compatible with materials after confirming.
2. Select materials for the actuation pressure piping, and heat resistance for fittings that are suitable for the applicable operating temperatures.

• Model with auto switch/XLA(V), XLC(V), XLD(V), XLF(V), XLG(V)

1. The switch section should be kept at a temperature no greater than 60°C.

• Model with heater/XLA, XLC, XLD, XLF, XLG

1. When using a model with a heater (thermistor), a device should be installed to prevent overheating.

• Model with solenoid valve/XLAV, XLCV, XLDV, XLFV, XLGV

1. For models with a solenoid valve, the temperature of the solenoid valve section should be no greater than 50°C.

Selection

⚠ Caution

• All models

1. For high vacuum valves used in the main exhaust lines of flat panel display manufacturing equipment and other large manufacturing equipment, the XLF(V) or XLG(V) series, employing O-ring seal type for improved durability, is recommended.
2. When controlling valve responsiveness, take note of the size and length of piping, as well as the flow rate characteristics of the actuating solenoid valve.
3. Actuating pressure should be kept within the specified range. 0.4 to 0.5 MPa is recommended.
4. Use within the limits of the operating pressure range.
5. The actuating piston chamber and the bellows chamber [except for XLF(V)/XLG(V)] are directly connected to atmosphere. Please use in an environment in which dust emissions will not cause problems.

• High temperature type/XLA, XLC, XLD, XLF, XLG

1. In the case of gases which cause a large amount of deposits, heat the valve body to prevent deposits in the valve.

Mounting

⚠ Caution

• All models

1. In high humidity environments, keep valves packaged until the time of installation.
2. In case with switches and solenoid valves, secure the lead wires so that they have sufficient slack, without any unreasonable force applied to them.
3. Perform piping so that excessive force is not applied to the flange sections. In case there is vibration of heavy objects or attachments, etc., secure them so that torque is not applied directly to the flanges.

Mounting

⚠ Caution

4. Vibration resistance allows for normal operation up to 30 m/s² (45 to 250 Hz), but continuous vibration may cause a decline in durability. Arrange piping to avoid excessive vibrations or shocks.

• High temperature type (Model/XLA, XLC, XLD, XLF, XLG; Temperature specifications/H0, H4, H5)

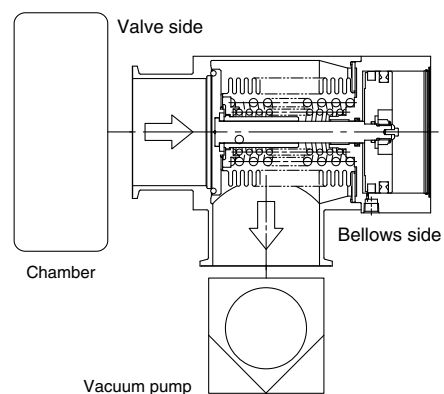
1. In models with heater (thermistor), take care not to damage the insulation components of the lead wires and connector section.
2. The setting temperature for models with heater should be established without a draft or heat insulation. It will change depending on conditions such as heat retaining measures and the heating of other piping. Fine adjustment is not possible.
3. When installing heater accessories or mounting a heater, check insulation resistance at the actual operating temperature. A short circuit breaker or fuse should be installed.
4. When a valve is to be heated, only the body section should be heated, excluding the bonnet section.
5. When a heater is in operation, the entire valve becomes hot. Be careful not to touch it with bare hands, as burns will result.

Piping

⚠ Caution

1. Before mounting, clean the surface of the flange seal and the O-ring with ethanol, etc.
2. There is an indentation of 0.1 to 0.2 mm in order to protect the flange seal surface, and it should be handled so that the seal surface is not damaged in any way. When using an outer ring, be sure that the O-ring is compressed sufficiently. (There is basically no problem with the outer ring.)
3. Exhaust direction
During operation, the direction of the exhaust may be determined freely, but in cases where a flow is generated by the exhaust, a decline in durability may result. The exhaust direction shown in the figure below (bellows side exhaust) is recommended. Please take all available precautions, as the life of the equipment is affected by conditions of usage.

Recommended exhaust direction [Vacuum pump connected on bellows side]



4. The valve may not be mounted depending on the piping material type (clamp, etc.). Be sure to check the piping material before use.



XL Series

Specific Product Precautions 2

Be sure to read this before handling the products.

Air Operated Angle Valves/XLA(V), XLC(V), XLD(V), XLF(V), XLG(V) Series

Maintenance

⚠ Caution

1. When removing deposits from a valve, take care not to damage any of its parts.
2. Replace the bonnet assembly when the end of its service life is approached.
3. If damage is suspected prior to the end of the service life, perform early maintenance.

Maintenance

⚠ Caution

4. SMC specified parts should be used for service. Refer to "Construction", "Replacement Parts," or "Maintenance Parts."
5. When removing valve or exterior seals, take care not to damage the sealing surfaces. When installing the valve seal, be sure that the O-ring is not twisted.

Manual Angle Valve/XLH Series

Design

⚠ Warning

1. The body material is A6063, the bellows are stainless steel 316L, other vacuum parts are stainless steel 304.
FKM is the standard seal material for the vacuum part, but other materials may be selected (please refer to How to Order). Please check the material used, and use only fluids that will not interfere with the material.
2. When using a model with a heater (thermistor), a device should be installed to prevent over heating.

Selection

⚠ Caution

1. Use within the limits of the operating pressure range.
2. In the case of gases which cause a large amount of deposits, heat the valve body or use a model with heater to prevent deposits in the valve.

Mounting

⚠ Caution

1. In models with heater (thermistor), take care not to damage the insulation components of the lead wires and connector section.
2. The setting temperature for models with heater should be established without a draft or heat insulation. It will change depending on conditions such as heat retaining measures and the heating of other piping. Fine adjustment is not possible.
3. When installing heater accessories or mounting a heater, check insulation resistance at the actual operating temperature. A short circuit breaker or fuse should be installed.
4. When a valve is to be heated, only the body section (excluding handle part) should be heated.
5. In high humidity environments, keep valves packaged until the time of installation.
6. When a heater is in operation, the entire valve becomes hot. Be careful not to touch it with bare hands, as burns will result.
7. Perform piping so that excessive force is not applied to the flange sections. In case there is vibration of heavy objects or attachments, etc., secure them so that torque is not applied directly to the flanges.

Piping

⚠ Caution

1. Before mounting, clean the surface of the flange seal and the O-ring with ethanol, etc.
2. There is an indentation of 0.1 to 0.2 mm in order to protect the flange seal surface, and it should be handled so that the seal surface is not damaged in any way. When using an outer ring, be sure that the O-ring is compressed sufficiently. (There is basically no problem with the outer ring.)
3. The valve may not be mounted depending on the piping material type (clamp, etc.). Be sure to check the piping material before use.

Maintenance

⚠ Caution

1. When removing deposits from a valve, take care not to damage any of its parts.
2. Replace the handle assembly when the end of its service life is approached.
3. If damage is suspected prior to the end of the service life, perform early maintenance.
4. SMC specified parts should be used for service. Refer to "Construction", "Replacement Parts," or "Maintenance Parts."
5. When removing valve or exterior seals, take care not to damage the sealing surfaces. When installing the valve seal, be sure that the O-ring is not twisted.



XL Series

Specific Product Precautions 3

Be sure to read this before handling the products.

Angle Solenoid Valve/XLS Series

Design

Warning

1. The body material is A6063, the bellows are stainless steel 316L, the other metal materials used in the vacuum part are 13Cr stainless steel, stainless steel 304, and A2017, and the seal material is FKM. In addition, a fluorinated resin (PFA) is used in the armature assembly of the vacuum part. The valve of the vacuum part has a fluorinated grease coating. Please check the material used, and in the course of maintenance, use only liquids that will not interfere with the material.
2. In cases without an operating power supply, the starting voltage is applied for only 0.15 to 0.2 s, and after this, a holding voltage (25% of the starting voltage) must be applied. If not performed properly, this can cause burning of the coil and fire, etc.
3. Be certain to install a fuse or short circuit breaker in the power supply circuit.

Selection

Caution

1. Use within the limits of the operating pressure range.

Mounting

Caution

1. In high humidity environments, keep valves packaged until the time of installation.
2. Please secure in such a way that the lead wire has sufficient curvature, and that no excessive force is applied to it.

Changing the entry of DIN terminal connector

After separating the terminal block and housing, the cord entry can be changed by attaching the housing in the desired direction (4 directions at 90° intervals).

Piping

Caution

1. Before mounting, clean the surface of the flange seal and the O-ring with ethanol, etc.
2. There is an indentation of 0.1 to 0.2 mm in order to protect the flange seal surface, and it should be handled so that the seal surface is not damaged in any way. When using an outer ring, be sure that the O-ring is compressed sufficiently. (There is basically no problem with the outer ring.)
3. The valve may not be mounted depending on the piping material type (clamp, etc.). Be sure to check the piping material before use.

Maintenance

Caution

1. Replace the core and armature assemblies when the end of their service life is approached.
2. If damage is suspected prior to the end of the service life, perform early maintenance.
3. SMC specified parts should be used for service parts. Refer to "Replacement Parts" on back of page 84 for further details.



XL Series

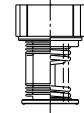
Specific Product Precautions 4

Be sure to read this before handling the products.

Maintenance Parts

Air operated angle valve/Manual valve

Caution 1. When replacing seal materials, please replace bonnet assembly or handle assembly. This may not be applicable in cases where the seal material differs from that used in the products.



Bonnet assembly

Handle assembly

Bonnet Assembly, Handle Assembly Component Parts No.: (1)

Model	Temperature specifications	Indicator	Valve size							
			16	25	40	50	63	80	100	160
XLA	General use	None	XLA16-30-1	XLA25-30-1	XLA40-30-1	XLA50-30-1	XLA63-30-1	XLA80-30-1	XLA100-30-1	XLA160-30-1
		Yes	XLA16A-30-1	XLA25A-30-1	XLA40A-30-1	XLA50A-30-1	XLA63A-30-1	XLA80A-30-1	XLA100A-30-1	XLA160A-30-1
	High temperature	None	XLA16-30-1H	XLA25-30-1H	XLA40-30-1H	XLA50-30-1H	XLA63-30-1H	XLA80-30-1H	XLA100-30-1H	XLA160-30-1H
		Yes	XLA16A-30-1H	XLA25A-30-1H	XLA40A-30-1H	XLA50A-30-1H	XLA63A-30-1H	XLA80A-30-1H	XLA100A-30-1H	XLA160A-30-1H
XLAV	General use	None	XLAV16-30-1	XLAV25-30-1	XLAV40-30-1	XLAV50-30-1	XLAV63-30-1	XLAV80-30-1	XLAV100-30-1	XLAV160-30-1
		Yes	XLAV16A-30-1	XLAV25A-30-1	XLAV40A-30-1	XLAV50A-30-1	XLAV63A-30-1	XLAV80A-30-1	XLAV100A-30-1	XLAV160A-30-1
XLC	General use	None	XLC16-30-1	XLC25-30-1	XLC40-30-1	XLC50-30-1-1	XLC63-30-1-1	XLC80-30-1-1	XLC100-30-1-1	XLC160-30-1-1
		High temperature	None	XLC16-30-1H	XLC25-30-1H	XLC40-30-1H	XLC50-30-1H-1	XLC63-30-1H-1	XLC80-30-1H-1	XLC100-30-1H-1
XLCV	General use	None	XLCV16-30-1	XLCV25-30-1	XLCV40-30-1	XLCV50-30-1-1	XLCV63-30-1-1	XLCV80-30-1-1	—	—
XLF	General use	None	XLF16-30-1	XLF25-30-1	XLF40-30-1	XLF50-30-1	XLF63-30-1	XLF80-30-1	XLF100-30-1	XLF160-30-1
		Yes	XLF16A-30-1	XLF25A-30-1	XLF40A-30-1	XLF50A-30-1	XLF63A-30-1	XLF80A-30-1	XLF100A-30-1	XLF160A-30-1
	High temperature	None	XLF16-30-1H	XLF25-30-1H	XLF40-30-1H	XLF50-30-1H	XLF63-30-1H	XLF80-30-1H	XLF100-30-1H	XLF160-30-1H
		Yes	XLF16A-30-1H	XLF25A-30-1H	XLF40A-30-1H	XLF50A-30-1H	XLF63A-30-1H	XLF80A-30-1H	XLF100A-30-1H	XLF160A-30-1H
XLFV	General use	None	XLFV16-30-1	XLFV25-30-1	XLFV40-30-1	XLFV50-30-1	XLFV63-30-1	XLFV80-30-1	XLFV100-30-1	XLFV160-30-1
		Yes	XLFV16A-30-1	XLFV25A-30-1	XLFV40A-30-1	XLFV50A-30-1	XLFV63A-30-1	XLFV80A-30-1	XLFV100A-30-1	XLFV160A-30-1
XLD	General use	None	—	XLD25-30-1	XLD40-30-1	XLD50-30-1	XLD63-30-1	XLD80-30-1	XLD100-30-1	XLD160-30-1
		High temperature	—	XLD25-30-1H	XLD40-30-1H	XLD50-30-1H	XLD63-30-1H	XLD80-30-1H	XLD100-30-1H	XLD160-30-1H
XLDV	General use	Standard	—	XLDV25-30-1	XLDV40-30-1	XLDV50-30-1	XLDV63-30-1	XLDV80-30-1	XLDV100-30-1	XLDV160-30-1
XLG	General use	None	XLG16-30-1	XLG25-30-1	XLG40-30-1	XLG50-30-1-1	XLG63-30-1-1	XLG80-30-1-1	XLG100-30-1-1	XLG160-30-1-1
		High temperature	None	XLG16-30-1H	XLG25-30-1H	XLG40-30-1H	XLG50-30-1H-1	XLG63-30-1H-1	XLG80-30-1H-1	XLG100-30-1H-1
XLGV	General use	None	XLGV16-30-1	XLGV25-30-1	XLGV40-30-1	XLGV50-30-1	XLGV63-30-1	XLGV80-30-1	—	—
XLH	Standard	Standard	XLH16-30-1	XLH25-30-1	XLH40-30-1	XLH50-30-1	—	—	—	—

Note 1) In cases where the valve seal material is other than the standard (FKM: includes Compound no. 1349-80: made by Mitsubishi Cable Industries, Inc.), please add suffix symbol for seal material (Refer to the table 1 on page 85) at the end of the part number.

Note 2) An auto switch magnet is not attached. In cases where an auto switch magnet is attached, please add "M9/" (M9// for the XLC/XLG with a size of 50 or more) at the end of the part number. (Not available for high temperature models)

Note 3) Auto switch and solenoid valve are not attached. When a set including auto switch and solenoid valve is required, please add the symbols after the auto switch in "How to Order" at the end of the part number.

Exterior Seal, (M) Valve Seal, S Valve Seal Assembly

Model	Description Construction No.	Material	Valve size							
			16	25	40	50	63	80	100	160
XLA(V) XLC(V) XLD(V) XLH	Exterior seal ③	Standard	AS568-025V	AS568-030V	AS568-035V	AS568-039V	AS568-043V	AS568-045V	AS568-050V	AS568-167V
		Special	AS568-025□	AS568-030□	AS568-035□	AS568-039□	AS568-043□	AS568-045□	AS568-050□	AS568-167□
XLF(V) XLG(V)	Exterior seal ③	Standard	XLF16-6	XLF25-6	AS568-035V	AS568-039V	AS568-043V	AS568-045V	AS568-050V	AS568-167V
		Special	—	—	AS568-035□	AS568-039□	AS568-043□	AS568-045□	AS568-050□	AS568-167□
Common	Valve seal ②	Standard	B2401-V15V	B2401-V24V	B2401-P42V	AS568-227V	AS568-233V	B2401-V85V	AS568-349V	B2401-G155V
		Special	B2401-V15□	B2401-V24□	B2401-P42□	AS568-227□	AS568-233□	B2401-V85□	AS568-349□	B2401-G155□
XLD(V)	S valve seal assembly ④	Standard	—	AS568-009V	XLD40-2-9-1A AS568-016V	XLD50-2-9-1A AS568-016V	XLD63-2-9-1A	XLD80-2-9-1A	XLD100-2-9-1A	XLD160-2-9-1A AS568-020V
		Special	—	AS568-009□	XLD40-2-9-1A□ AS568-016□	XLD50-2-9-1A□ AS568-016□	XLD63-2-9-1A□	XLD80-2-9-1A□	XLD100-2-9-1A□	XLD160-2-9-1A□ AS568-020□

Note 1) In cases where the seal material is other than the standard (FKM: includes Compound no. 1349-80: made by Mitsubishi Cable Industries, Inc.), please add suffix symbol for seal material (Refer to the table 1 on page 85) at the end of the part number (the place of □).

Note 2) Refer to "Construction" of each series for component parts numbers.

Solenoid Valve/Plate Assembly

Model	Description Construction No.	Valve size									
		16	25	40	50	63	80	100	160		
XLAV	Solenoid valve ⑧	SYJ319-□□				SYJ519-□□					
	Plate assembly ⑨	XL1AV16-90-2				XLAV63-90-1					
XLFV	Solenoid valve ⑩	SYJ319-□□				SYJ519-□□					
	Plate assembly ⑪	XL1AV16-90-2				XLAV63-90-1					
XLCV XLGV	Solenoid valve ⑧	SYJ3190-□□ (single) SYJ3290-□□ (double)				SY3120-□□-C4 (single) SY3220-□□-C4 (double)				—	—
	Plate assembly ⑨	XLCV16-90-1				—					
XLDV	Initial exhaust solenoid valve ⑪	—	V114-□□				—				
	Main exhaust solenoid valve ⑫	—	V114-□□				SYJ314-□□				
	Plate assembly ⑬	—	XLDV25-90-2				XLDV40-90-2				

Note 1) The -□□ at the end of the solenoid valve part number is the selection symbol for voltage, electrical entry, and other specifications. For details about selection symbols, refer to the Web Catalog.

Note 2) The plate assembly includes the plate, gasket, and mounting screws.

Note 3) Refer to "Construction" of each series for component parts numbers.



XL Series

Specific Product Precautions 5

Be sure to read this before handling the products.

Maintenance Parts

Table 1: Seal Material Symbol

Symbol	-XN1	-XP1	-XQ1	-XR1	-XR3	-XS1	-XT1	-XU1	-XF1
Seal material	EPDM	Barrel Perfluoro®	Kalrez®	Chemraz®		VMQ	FKM for Plasma	ULTIC ARMOR®	FKM
Compound no.	2101-80*	70W	4079	SS592	SSE38	1232-70*	3310-75*	UA4640	**

Note 1) This may not be applicable in cases where the seal material differs from that used in the products, although the seal material is changed.

* Produced by Mitsubishi Cable Industries, Ltd.
** Same specifications as the FKM type

Barrel Perfluoro® is a registered trademark of Matsumura Oil Co., Ltd.

Kalrez® is a registered trademark of E. I. du Pont de Nemours and Company or its affiliates.

Chemraz® is a registered trademark of Greene, Tweed Technologies, Inc.

ULTIC ARMOR® is a registered trademark of VALQUA, LTD.

Replacement Heaters

Temperature specification	Valve size						
	25	40	50	63	80	100	160
H4 (100°C heater)	—	XL1A25-60S-1	XL1A25-60S-1	XL1A25-60S-2	XL1A25-60S-3	XL1A25-60S-2 (2 sets)	XL1A25-60S-2 (3 sets)
H5 (120°C heater)	XL1A25-60S-1	XL1A25-60S-2	XL1A25-60S-2	XL1A25-60S-3	XL1A25-60S-2 (2 sets)	XL1A25-60S-2 (3 sets)	XL1A25-60S-2 (4 sets)

Example) In the case of a replacement heater for XL□-80-H5, two sets of XL1A25-60S-2 are required.

Angle Solenoid Valve

Construction No.	Description	XLS-16-□□	XLS-16-P□□	XLS-25-□□	XLS-25-P□□
②	Coil assembly	XLS16-20-□G, C, T, D	XLS16-20-P□G	XLS25-20-□G, C, T, D	XLS25-20-P□G
⑥	Core assembly	XLS16-30-1		XLS25-30-1	
④	Armature assembly	XLS16-30-2		XLS25-30-2	
③-1	O-ring	AS568-018V		AS568-018V	
③-2	O-ring	AS568-025V		AS568-030V	

Note 1) In case of coil assembly, please enter voltage symbol in □.

"G" after □ is grommet, "C" for conduit, "T" for terminal, and "D" for DIN.

Note 2) Refer to "Construction" for component parts numbers.