

Refrigerated Air Dryer

Series IDFA□E

For use in Europe , Asia and Oceania



EC Directive compliant (with CE marking)

Power supply voltage:
Single-phase 230 VAC (50 Hz)

Refrigerant **R134a(HFC)**
R407C(HFC)

Coefficient of destruction
for ozone is zero.

Improved corrosion resistance with
the use of stainless steel, plate type
heat exchanger (IDFA4E to 75E)



HAA
HAW

AT

IDF
IDU

IDFA

IDFB

ID

IDG

AMG

AFF

AM

AMD

AMH

AME

AMF

SF

SFD

LLB

AD□

GD

Series	Air flow capacity (m ³ /h [ANR])			Refrigerant	Rated inlet condition	Port size
	Outlet air pressure dew point					
	3°C	7°C	10°C			
IDFA3E	12	15	17	R134a (HFC)	35°C 0.7 MPa	Rc 3/8
IDFA4E	24	31	34			Rc 1/2
IDFA6E	36	46	50			Rc 3/4
IDFA8E	65	83	91			Rc 1
IDFA11E	80	101	112			R 1
IDFA15E	120	152	168			R 1 1/2
IDFA22E	182	231	254			R 2
IDFA37E	273	347	382	R407C (HFC)		
IDFA55E	390	432	510			
IDFA75E	660	720	822			

1. Standard Products

Series IDFA

Standard inlet air type

Rated inlet air temperature: 35°C



Model	Rated inlet condition	Air flow capacity (m³/h [ANR])			Refrigerant	Port size	Page
		Outlet air pressure dew point					
		3°C	7°C	10°C			
IDFA3E	35°C 0.7 MPa	12	15	17	R134a (HFC)	Rc 3/8	P. 62 to 64
IDFA4E		24	31	34		Rc 1/2	
IDFA6E		36	46	50		Rc 3/4	
IDFA8E		65	83	91			
IDFA11E		80	101	112			
IDFA15E		120	152	168	Rc 1	P. 65 to 67	
IDFA22E		182	231	254	R 1		
IDFA37E		273	347	382	R407C (HFC)		R 1½
IDFA55E		390	432	510			R 2
IDFA75E		660	720	822			

2. Options

Specifications	Applicable model	Suffix (Option symbol)	Page
Cool compressed air output	IDFA3E to 11E	IDFA□E-23-A	P. 68
Anti-corrosive treatment	IDFA3E to 75E	IDFA□E-23-C	
For medium air pressure (Up to 1.6 MPa) (Auto drain bowl type: Metal bowl with level gauge)	IDFA6E to 37E	IDFA□E-23-K	
With heavy duty auto drain (For medium air pressure)	IDFA4E to 75E	IDFA□E-23-L	
With circuit breaker	IDFA4E to 75E	IDFA□E-23-R	
With terminal block for power supply, run & alarm signal and remote operation	IDFA4E to 75E	IDFA□E-23-T	
Timer type solenoid valve with auto drain (Applicable to medium air pressure)	IDFA4E to 75E	IDFA□E-23-V	

3. Optional Accessories

Description	Page
Dust-protecting filter set	P. 70
Foundation bolt set	

Series IDFA□E

Model Selection

The corrected air flow capacity, which considers the user's operating conditions, is required for selecting the air dryer. Please select using the following procedures.

1 Read the correction factor.

Obtain the correction factor A to D suitable for your operating condition using the table below.

IDFA E Selection Example

Condition	Data symbol	Correction factor ^{Note)}	
Inlet air temperature	40°C	A	0.83
Ambient temperature	35°C	B	0.83
Inlet air pressure	0.5 MPa	C	0.92
Air consumption	31 m ³ /h	—	—

Note) Values obtained from the table below.

2 Calculate the corrected air flow capacity.

Obtain the corrected air flow capacity from the following formula.
Corrected air flow capacity = Air consumption ÷ (Correction factor A x B x C)

$$\text{Corrected air flow capacity} = 31 \text{ m}^3/\text{h} \div (0.83 \times 0.83 \times 0.92) = 48.9 \text{ m}^3/\text{h}$$

3 Select the model.

Select the model which air flow capacity exceeds the corrected air flow capacity using the specification table. (For air flow capacity, refer to the data D below.)

According to the corrected air flow capacity of 48.9 m³/h, the **IDFA8E** will be selected when the required output air pressure dew point is 3°C. The **IDFA6E** will be selected when the required pressure dew point is 10°C.

4 Option

Refer to pages 68 and 69.

5 Finalize the model number.

Refer to pages 62 and 65

6 Select accessories sold separately.

Refer to page 70.

Data A: Inlet Air Temperature

Inlet air temperature (°C)	Correction factor	
	IDFA3E to 37E	IDFA55E to 75E
5 to 25	1.30	1.33
30	1.25	1.16
35	1	1
40	0.83	0.8
45	0.7	0.64
50	0.6	0.48

Data B: Ambient Temperature

Ambient temperature (°C)	Correction factor	
	IDFA3E to 11E	IDFA15E to 75E
20	1.1	1.1
25	1	1
30	0.91	0.97
35	0.83	0.89
40	0.79	0.77

Data C: Inlet Air Pressure

Inlet air pressure (MPa)	Correction factor	
	IDFA3E to 11E	IDFA15E to 75E
0.3	0.80	0.72
0.4	0.87	0.81
0.5	0.92	0.88
0.6	0.96	0.95
0.7	1.00	1.00
0.8	1.04	1.06
0.9	1.07	1.11
1	1.1	1.16
1.2	1.16	1.21
1.4	1.21	1.25
1.6	1.25	1.27

Data D: Air Flow Capacity

Model	Outlet air pressure dew point	Air flow capacity (m ³ /h [ANR])				
		IDFA3E	IDFA4E	IDFA6E	IDFA8E	IDFA11E
3°C	3°C	12	24	36	65	80
	7°C	15	31	46	83	101
	10°C	17	34	50	91	112

Note) In case of "Option A (Cool compressed air output)", the air flow capacity is different. Refer to page 68 for details.

Model	Outlet air pressure dew point	Air flow capacity (m ³ /h [ANR])				
		IDFA15E	IDFA22E	IDFA37E	IDFA55E	IDFA75E
3°C	3°C	120	182	273	390	660
	7°C	152	231	347	432	720
	10°C	168	254	382	510	822

HAA
HAW

AT

IDF
IDU

IDFA

IDFB

ID

IDG

AMG

AFF

AM

AMD

AMH

AME

AMF

SF

SFD

LLB

AD□

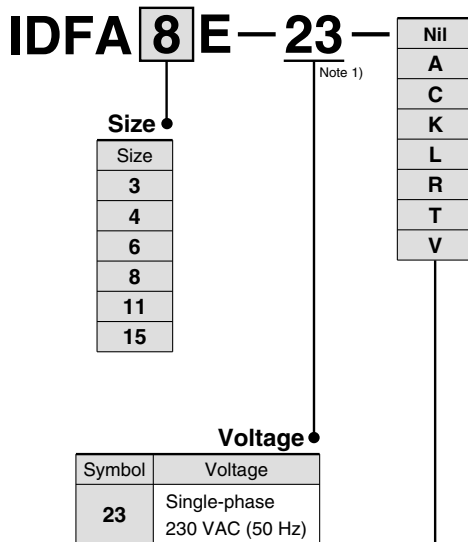
GD

Refrigerant R134a (HFC)

Series IDFA□E

3E, 4E, 6E, 8E, 11E, 15E
(Inlet air temperature: 35°C)

How to Order



Options and Available Combinations (Size/Option)

Symbol ^{Note 2)}	Nil	A	C	K	L	R	T	V
Option	None	Cool compressed air output	Anti-corrosive treatment	For medium air pressure (Auto drain bowl type: Metal bowl with level gauge)	With heavy duty auto drain (Applicable to medium air pressure)	With circuit breaker	With terminal block for run & alarm signal	Timer type solenoid valve with auto drain (Applicable to medium air pressure)
Size								
3	●	●	●	—	—	—	—	—
4	●	●	●	—	●	●	●	●
6	●	●	●	●	●	●	●	●
8	●	●	●	●	●	●	●	●
11	●	●	●	●	●	●	●	●
15	●	—	●	●	●	●	●	●

Note 1) G thread (PF thread) can accept the R thread (PT male thread), thus making no "F" in the thread specification setting. A conversion adaptor for the R thread (PT male thread) is also contained.

Note 2) Enter alphabetically when multiple options are combined.

However, the following combination cannot be achieved.

- Combination of K, L and V cannot be achieved because an auto drain can only be attached to a single option.

Note 3) Refer to pages 68 and 69 for further details on optional specifications.

Standard Specifications



Specifications		Model	Standard temperature air inlet						
		IDFA3E	IDFA4E	IDFA6E	IDFA8E	IDFA11E	IDFA15E		
Operating range	Fluid	Compressed air							
	Inlet air temperature (°C)	5 to 50							
	Inlet air pressure (MPa)	0.15 to 1.0							
	Ambient temperature (Humidity) (°C)	2 to 40 (Relative humidity of 85% or less)							
Rated specifications (Note 3)	Air flow capacity m ³ /h	Note 1) Standard condition (ANR)	Outlet air pressure dew point (3°C)	12	24	36	65	80	120
		Outlet air pressure dew point (7°C)	15	31	46	83	101	152	
		Outlet air pressure dew point (10°C)	17	34	50	91	112	168	
	Note 2) Compressor intake condition	Outlet air pressure dew point (3°C)	13	25	37	68	83	125	
	Outlet air pressure dew point (7°C)	16	32	48	86	105	158		
	Outlet air pressure dew point (10°C)	18	35	52	95	116	175		
Inlet air pressure (MPa)		0.7							
Inlet air temperature (°C)		35							
Ambient temperature (°C)		25							
Electric	Power supply voltage	Single-phase: 230 VAC [Voltage fluctuation ±10%] 50 Hz							
	Power consumption (W)	180		208		385		470	
	Operating current (A)	1.2		1.4		2.7		3.0	
	Applicable circuit breaker capacity (Note 4) (A)	5						10	
Condenser		Air-cooled							
Refrigerant		R134a (HFC)							
Auto drain		Float type (Normally closed)			Float type (Normally open)				
Port size		Rc 3/8	Rc 1/2	Rc 3/4			Rc 1		
Accessory		Hexagon nipple							
Mass (kg)		18	22	23	27	28	46		
Coating color		Body panel: White 1 Base: Gray 2							
Compliant standards		EC Directive (with CE marking)							

HAA
HAW

AT

IDF
IDU

IDFA

IDFB

ID

IDG

AMG

AFF

AM

AMD

AMH

AME

AMF

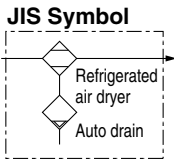
SF

SFD

LLB

AD□

GD

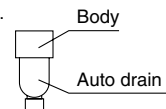


Note 1) Air flow capacity under the standard condition (ANR) [atmospheric pressure at 20°C, relative humidity at 65%]
 Note 2) Air flow capacity converted by the compressor intake condition [atmospheric pressure at 32°C]
 Note 3) Select air dryer according to the model selection method (page 61) for the models beyond the rated specifications.
 Note 4) Install a circuit breaker with a sensitivity of 30 mA.
 Note 5) When a short-term interruption of the power supply (including momentary interruption) occurs in this equipment, the restarting of normal operations may require some time or may be impossible due to the operation of protective devices even after the supply of power returns.

Replacement Parts

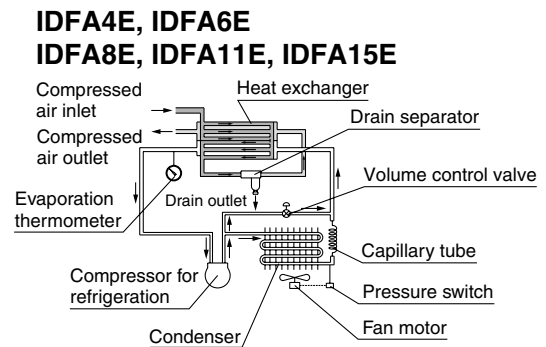
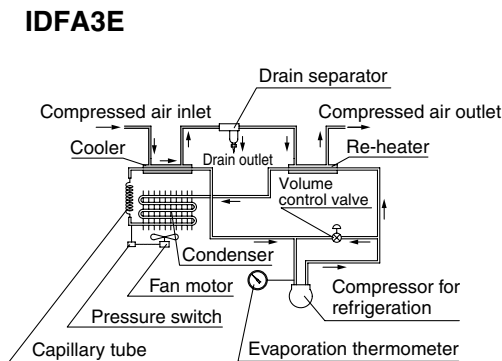
Model	IDFA3E	IDFA4E	IDFA6E	IDFA8E	IDFA11E	IDFA15E
Auto drain replacement part no. (Note 5)	AD38		AD48			

Note 6) The part number for the auto drain components without including the body part.
 Body part replacement is impossible.



Construction Principle (Air/Refrigerant Circuit)

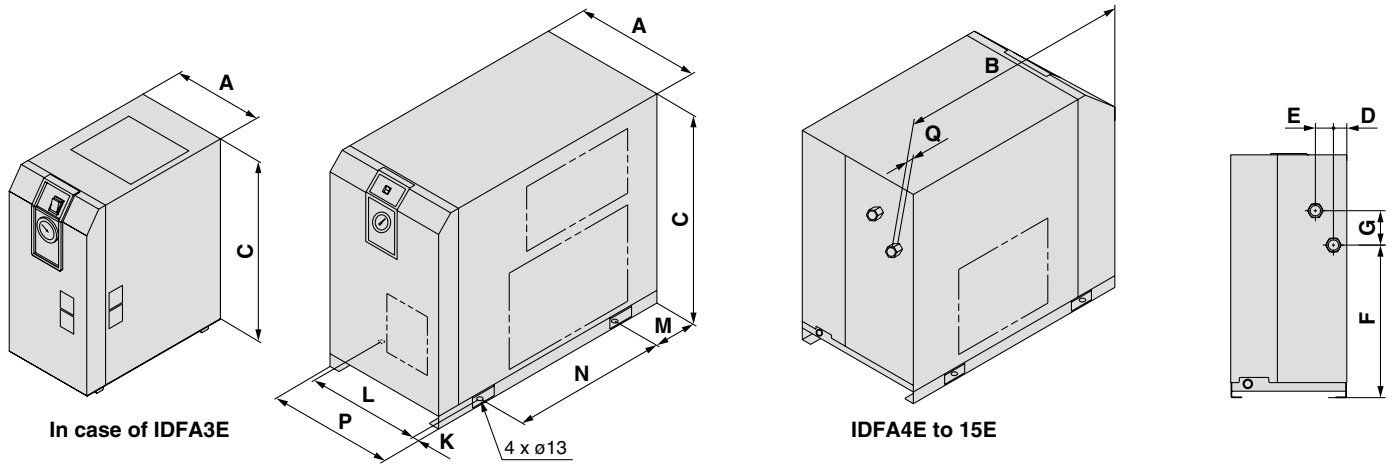
Humid, hot air coming into the air dryer will be cooled down by a cooler re-heater (heat exchanger). Water condensed at this time will be removed from the air by auto drain and drained out automatically. Air separated from the water will be heated by a cooler re-heater (heat exchanger) to obtain the dried air, which goes through to the outlet side.



Series IDFA□E

Dimensions

IDFA3E to 15E



Dimensions

(mm)

Model	Port size	A	B	C	D	E	F	G	K*	L*	M*	N*	P	Q
IDFA3E	Rc 3/8	226	410	473	67	125	304	33	36	154	21	330		15
IDFA4E	Rc 1/2		453	498			283					275		13
IDFA6E		270	455		31	42		80	15	240	80			15
IDFA8E	Rc 3/4		485	568			355					300		
IDFA11E														
IDFA15E	Rc 1	300	603	578	41	54	396	87		43	101	380	314	16

* Meaning the foot dimensions for the IDFA3E.

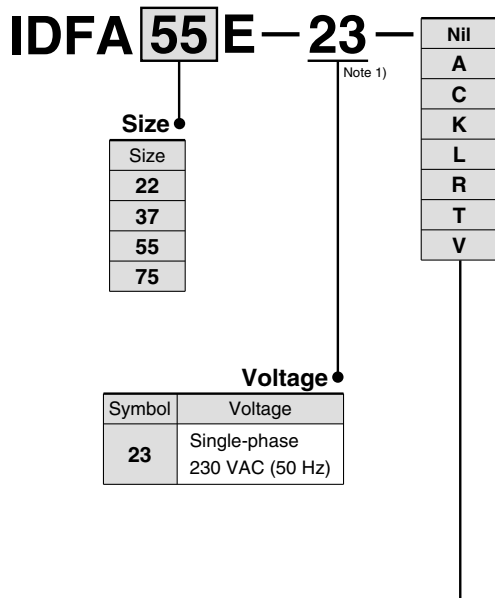
Refrigerant R407C (HFC)

Series IDFA□E

22E, 37E, 55E, 75E

(Inlet air temperature: 35°C)

How to Order



Options and Available Combinations (Size/Option)

Symbol ^{Note 2)}	Nil	A	C	K	L	R	T	V
Option	None	Cool compressed air output	Anti-corrosive treatment	For medium air pressure (Auto drain bowl type: Metal bowl with level gauge)	With heavy duty auto drain (Applicable to medium air pressure)	With circuit breaker	With terminal block for run & alarm signal	Timer type solenoid valve with auto drain (Applicable to medium air pressure)
Size								
22	●	—	●	●	●	●	●	●
37	●	—	●	●	●	●	●	●
55	●	—	●	—	●	●	●	●
75	●	—	●	—	●	●	●	●

Note 1) G thread (PF thread) can accept the R thread (PT male thread), thus making no "F" in the thread specification setting.

Note 2) Enter alphabetically when multiple options are combined.

However, the following combination cannot be achieved.

- Combination of K, L and V cannot be achieved because an auto drain can only be attached to a single option.

Note 3) Refer to pages 68 and 69 for further details on optional specifications.

HAA
HAW

AT

IDF
IDU

IDFA

IDFB

ID

IDG

AMG

AFF

AM

AMD

AMH

AME

AMF

SF

SFD

LLB

AD□

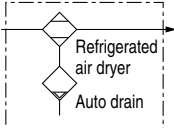
GD

Standard Specifications



Specifications		Model	Standard temperature air inlet				
			IDFA22E	IDFA37E	IDFA55E	IDFA75E	
Operating range	Fluid	Compressed air					
	Inlet air temperature (°C)	5 to 50					
	Inlet air pressure (MPa)	0.15 to 1.0					
	Ambient temperature (Humidity) (°C)	2 to 40 (Relative humidity of 85% or less)					
Rated specifications (Note 3)	Air flow capacity (m ³ /h)	Note 1) Standard condition (ANR)	Outlet air pressure dew point (3°C)	182	273	390	660
			Outlet air pressure dew point (7°C)	231	347	432	720
		Outlet air pressure dew point (10°C)	254	382	510	822	
	Note 2) Compressor intake condition		Outlet air pressure dew point (3°C)	189	284	405	686
			Outlet air pressure dew point (7°C)	240	361	449	748
			Outlet air pressure dew point (10°C)	264	397	530	854
Rated specifications	Inlet air pressure (MPa)	0.7					
	Inlet air temperature (°C)	35					
	Ambient temperature (°C)	25					
Electric	Power supply voltage	Single-phase: 230 VAC [Voltage fluctuation ±10%] 50 Hz					
	Power consumption (W)	760	1130	1700			
	Operating current (A)	4.3	5.4	7.9			
Applicable circuit breaker capacity (Note 4) (A)		10		20			
Condenser		Air-cooled					
Refrigerant		R407C (HFC)					
Auto drain		Float type (Normally open)					
Port size		R 1	R 1½	R 2			
Accessory		—					
Mass (kg)		54	62	100	116		
Coating color		Body panel: White 1 Base: Gray 2					
Compliant standards		EC Directive (with CE marking)					

JIS Symbol



Note 1) Air flow capacity under the standard condition (ANR) [atmospheric pressure at 20°C, relative humidity at 65%]

Note 2) Air flow capacity converted by the compressor intake condition [atmospheric pressure at 32°C]

Note 3) Select air dryer according to the model selection method (page 61) for the models beyond the rated specifications.

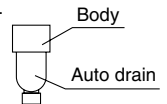
Note 4) Install a circuit breaker with a sensitivity of 30 mA.

Note 5) When a short-term interruption of the power supply (including momentary interruption) occurs in this equipment, the restarting of normal operations may require some time or may be impossible due to the operation of protective devices even after the supply of power returns.

Replacement Parts

Model	IDFA22E	IDFA37E	IDFA55E	IDFA75E
Auto drain replacement part no. (Note 5)	AD48			

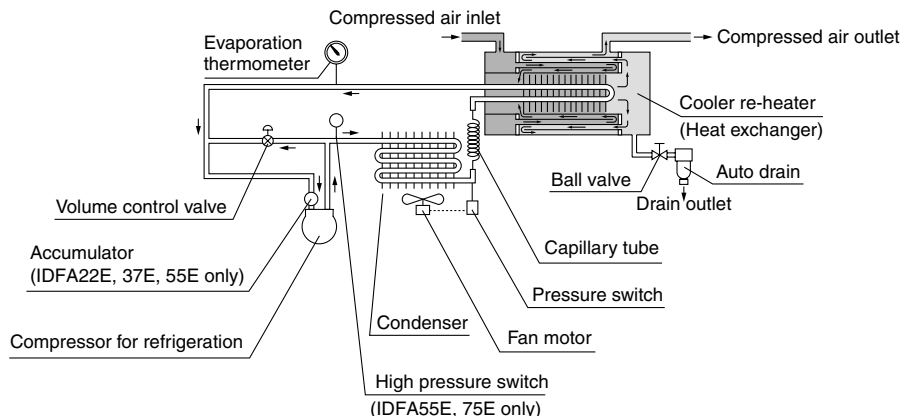
Note 6) The part number for the auto drain components without including the body part. Body part replacement is impossible.



Construction Principle (Air/Refrigerant Circuit)

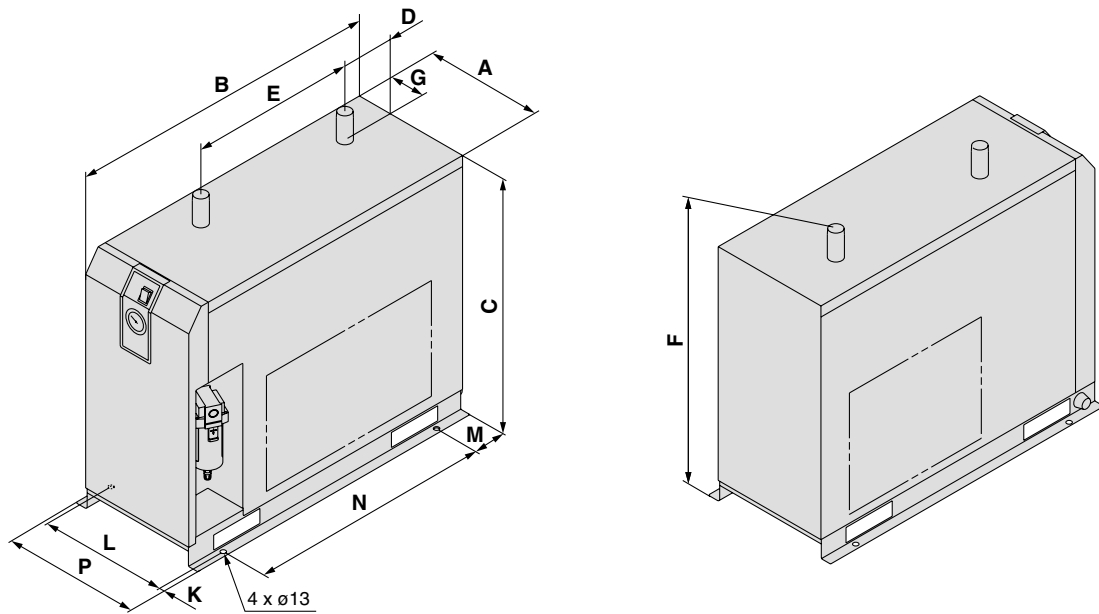
Humid, hot air coming into the air dryer will be cooled down by a cooler re-heater (heat exchanger). Water condensed at this time will be removed from the air by auto drain and drained out automatically. Air separated from the water will be heated by a cooler re-heater (heat exchanger) to obtain the dried air, which goes through to the outlet side.

IDFA22E, IDFA37E, IDFA55E, IDFA75E



Dimensions

IDFA22E, IDFA37E

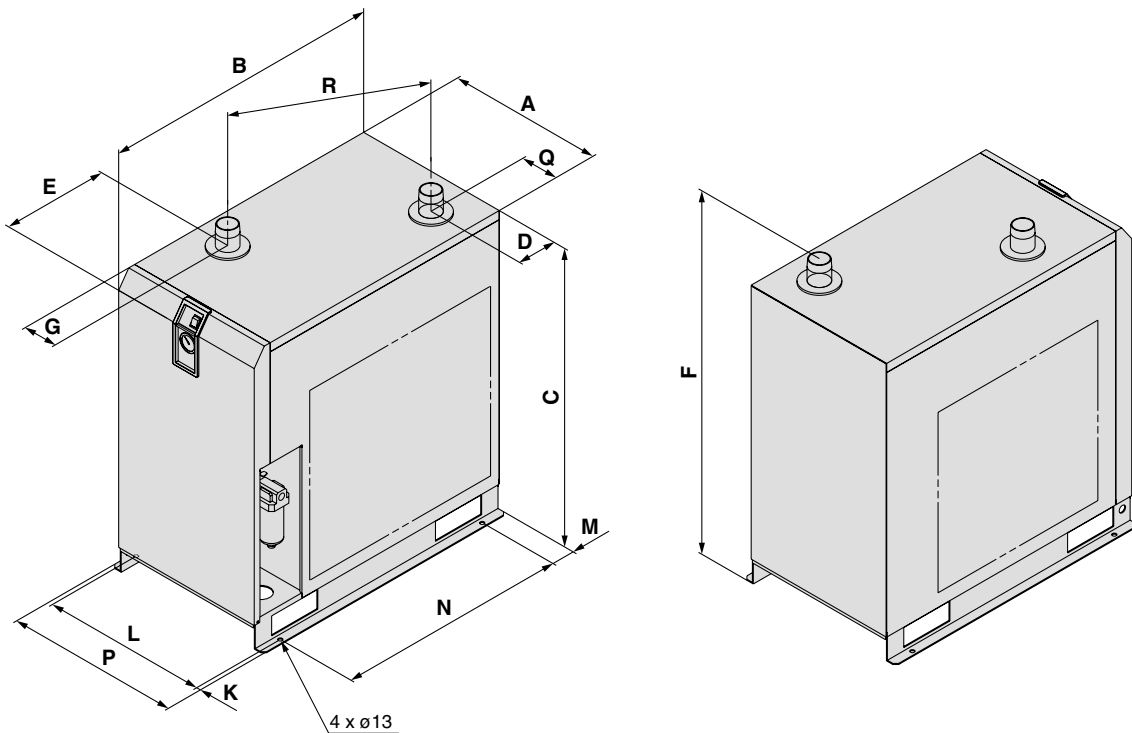


Dimensions

(mm)

Model	Port size	A	B	C	D	E	F	G	K	L	M	N	P	Q
IDFA22E	R 1	290	775	623	134	405	698	93	13	25	85	600	340	—
IDFA37E	R 1½	290	855	623	134	405	698	93	13	25	85	680	340	—

IDFA55E, IDFA75E



Dimensions

(mm)

Model	Port size	A	B	C	D	E	F	G	K	L	M	N	P	Q	R
IDFA55E	R 2	470	855	800	(128)	(273)	(868)	(110)	13	500	75	700	526	(110)	519
IDFA75E	R 2	470	855	900	(128)	(273)	(968)	(110)	13	500	75	700	526	(110)	519

HAA
HAW

AT

IDF
IDU

IDFA

IDFB

ID

IDG

AMG

AFF

AM

AMD

AMH

AME

AMF

SF

SFD

LLB

AD□

GD

Series IDFA□E

Options 1

For “How to Order” optional models, refer to pages 62 and 65.

A Option symbol

Cool compressed air output IDFA3E to 11E

There is no heating of cooled, dehumidified air as it leaves the air dryer. The air flow capacity with this option is smaller than that of the standard dryer. (The external dimensions are identical with the standard product.)
 (Note) Perform thermal insulation treatment for piping and equipment installed after the dryer to prevent the formation of condensation.

Air Flow Capacity

Model	IDFA3E	IDFA4E	IDFA6E	IDFA8E	IDFA11E
Air flow capacity m ³ /h (ANR)	18	23	29	32	39

Conditions: Inlet air pressure: 0.7 MPa, Inlet air temperature: 35°C,
 Outlet air temperature: 10°C Ambient temperature: 25°C

C Option symbol

Anti-corrosive treatment IDFA all models

This minimizes the corrosion of the copper and copper alloy parts when the air dryer is used in an atmosphere containing hydrogen sulfide or sulfuric acid gas. (Corrosion cannot be completely prevented.)
 Special epoxy coating: Copper tube and copper alloy parts.
 The coating is not applied on the heat exchanger or around electrical parts, where operation may be affected by the coating.
 * Corrosion is not covered under warranty.

K Option symbol

For medium air pressure (Auto drain bowl type: Metal bowl with level gauge) IDFA6E to 37E

The auto drain is changed from the standard one to one with a medium pressure specification. A metal bowl with a level gauge which can confirm the water level is used for the auto drain.

Specifications

1. Maximum operating pressure: 1.6 MPa
2. Dimensions ... same as standard products

Replacement Parts

Model	Auto drain assembly part no.	Note
IDFA6E to 15E	IDF-S0086	The AD48-8-X2110 auto drain, insulator, and one-touch fitting are included.
IDFA22E, 37E	AD48-8-X2110	Single auto drain unit

L Option symbol

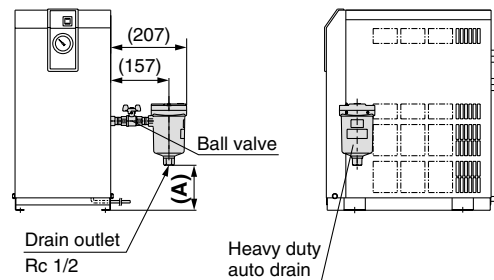
With heavy duty auto drain (Applicable to medium air pressure) IDFA4E to 75E

The float type auto drain used in the standard air dryer is replaced with a heavy duty auto drain (ADH4000-04) which enables the drainage to discharge more efficiently.

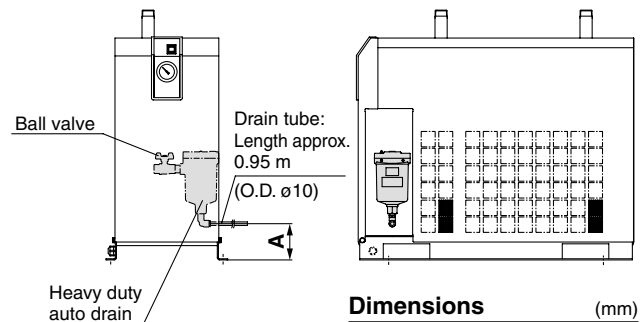
Dimensions (mm)

Model	A
IDFA4E	55
IDFA6E	67
IDFA8E, 11E	139
IDFA15E	47

IDFA4E to 15E



IDFA22E to 75E



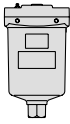
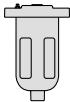

Dimensions (mm)

Model	A
IDFA22E, 37E	Approx. 100
IDFA55E, 75E	Approx. 120

Note 1) The heavy duty auto drain and the ball valve are both enclosed in the same shipping package as the main body of the air dryer. Customers are required to mount the parts to the air dryer. (Except IDFA22E to 75E)

Note 2) Customers will need to supply the fitting and tubing for the drain piping. (Except IDFA22E to 75E)

Replacement Parts: Heavy Duty Auto Drain

Model	Replacement part no. (Description)	Configuration
IDFA4E to 15E	ADH4000-04 (Heavy duty auto drain)	 Heavy duty auto drain
IDFA22E to 75E	ADH-E400 (Replacement kit for exhaust mechanism)	 Replacement kit for exhaust mechanism  Housing (You don't need to purchase a new housing.)

Series IDFA□E

Options 2

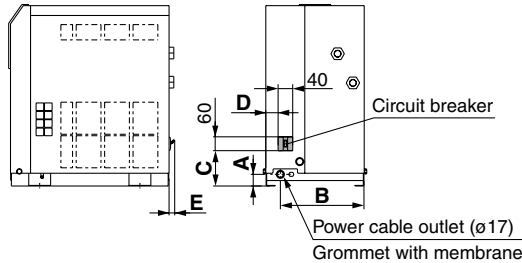
For “How to Order” optional models, refer to pages 62 and 65.

R Option symbol

With circuit breaker IDFA4E to 75E

A circuit breaker with cover is attached to the side of the air dryer. This saves additional electrical wiring at the time of installation.

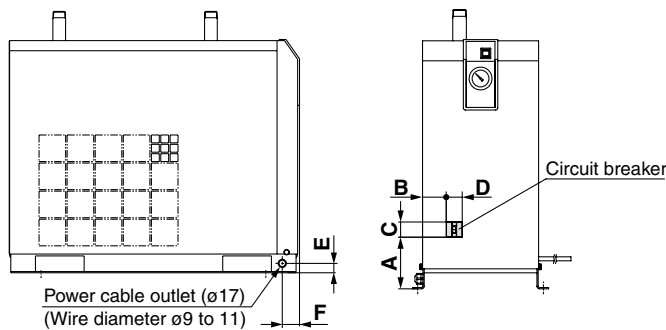
IDFA4E to 15E



Dimensions (mm)

Model	A	B	C	D	E
IDFA4E, 6E, 8E, 11E	32	230	97	34	15
IDFA15E	43	258	102	82	—

IDFA22E to 75E



Dimensions (mm)

Model	A	B	C	D	E	F
IDFA22E	125	59		40	25	46
IDFA37E		39				
IDFA55E	148	81	60	60	50	36
IDFA75E	133	73				

Breaker Capacity and Sensitivity Current

Voltage	Model	Breaker capacity	Sensitivity current
230 V type	IDFA4E-23, IDFA6E-23 IDFA8E-23, IDFA11E-23	5 A	30 mA
	IDFA15E-23, IDFA22E-23 IDFA37E-23, IDFA55E-23	10 A	
	IDFA75E-23	20 A	

T Option symbol

With terminal block for power supply, run & alarm signal and remote operation IDFA4E to 75E

In addition to the terminals for the power supply, terminals for the operating signal and the error signal are also available. (No-voltage contact)

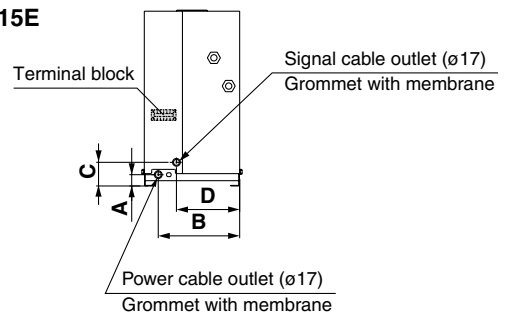
Also, in the case of remote control, operate it from the power supply side while the air dryer switch remains ON.

Contact capacity: 230 VAC, 4 A 24 VDC, 5 A for operating and error signals.

Minimum current value: 20 V, 5 mA (AC/DC) for operating and error signals.

Note) Please be sure to confirm the electric circuits with the drawings or instruction manual before using the output signal.

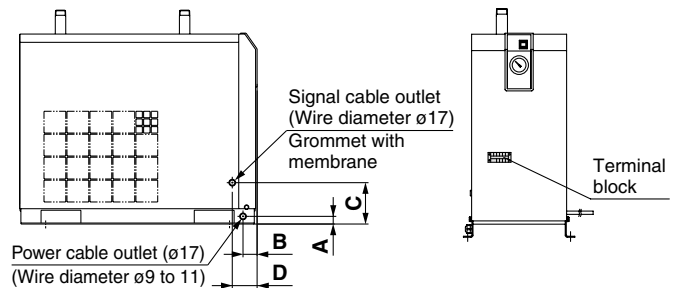
IDFA4E to 15E



Dimensions (mm)

Model	A	B	C	D
IDFA4E, 6E, 8E, 11E	32	230	67	179
IDFA15E	43	258	77	158

IDFA22E to 75E



Dimensions (mm)

Model	A	B	C	D
IDFA22E, 37E	25	46	135	81
IDFA55E, 75E	50	36	207	81

V Option symbol

Timer type solenoid valve with auto drain (Applicable to medium air pressure) IDFA4E to 75E

Drainage is discharged by controlling a solenoid valve with a timer. A strainer for solenoid valve protection and stop valve are also included. (Dimensions are the same as the standard type.)

Maximum operating pressure: 1.6 MPa

* The timer-type solenoid valve actuates once (for 0.5 s) every 30 s.

Replacement Parts

Model	Part no.	Note
IDFA4E to 37E	IDF-S0198	230 VAC
IDFA55E, 75E	IDF-S0302	230 VAC

HAA
HAW

AT

IDF
IDU

IDFA

IDFB

ID

IDG

AMG

AFF

AM

AMD

AMH

AME

AMF

SF



SFD

LLB

AD□

GD

Optional Accessories

		Features	Specifications	Applicable dryer
Dust-protecting filter set		Prevents a decline in the performance of the air dryer, even in a dusty atmosphere.	Max. ambient temperature 40°C	IDFA3E to 75E
Foundation bolt set		Bolts for fixing the air dryer to the foundations. Easy to secure by striking its axle.	Stainless steel	IDFA4E to 75E

How to Order

Dust-protecting filter set

IDF — FL 209

Applicable dryer

Symbol	Applicable dryer
209	IDFA3E
202	IDFA4E
203	IDFA6E
204	IDFA8E
205	IDFA11E
206	IDFA15E
207	IDFA22E
208	IDFA37E
213	IDFA55E
214	IDFA75E

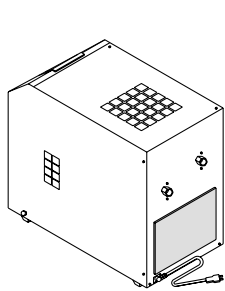
Foundation bolt set

IDF — AB 500

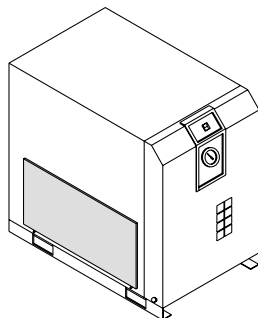
Applicable dryer

Symbol	Applicable dryer
500	IDFA4E to 75E

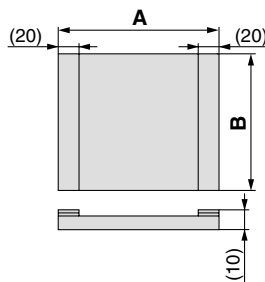
Dust-protecting Filter Set / Dimensions



(IDF-FL209)



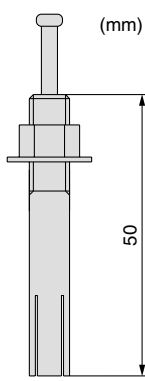
(IDF-FL202 to 208, 213, 214)



Dimensions

Part no.	Applicable dryer	A	B	Mass (g)
IDF-FL209	IDFA3E	220	240	35
IDF-FL202	IDFA4E	310	195	45
IDF-FL203	IDFA6E	375		55
IDF-FL204	IDFA8E	340	265	70
IDF-FL205	IDFA11E	375		75
IDF-FL206	IDFA15E	310	270	70
IDF-FL207	IDFA22E	420	315	100
IDF-FL208	IDFA37E	550	365	140
IDF-FL213	IDFA55E	720	400	175
IDF-FL214	IDFA75E	610	560	190

Foundation Bolt Set / Dimensions



Dimensions

Part no.	Applicable dryer	Nominal thread size	Material	Pcs. of 1 set
IDF-AB500	IDFA4E to 75E	M10	Stainless steel	4

Mounting hole diameter: $\phi 10.5$



Series IDFA□E

Specific Product Precautions 1

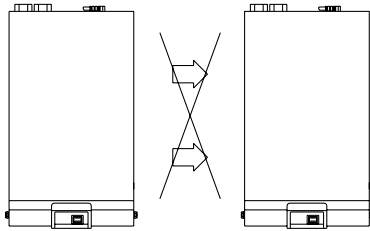
Be sure to read before handling.

Refer to front matters 42 and 43 for Safety Instructions and pages 6 to 8 for Air Preparation Equipment Precautions.

Installation

⚠ Caution

- Avoid locations where the air dryer will be in direct contact with wind and rain. (Places where relative humidity is greater than 85%)
- Avoid exposure to direct sunlight.
- Avoid locations that contain much dust, corrosive gases, or flammable gases. Failure due to corrosion is not covered under warranty. However, when the risk of corrosion is high, select "Option C" (copper tubing with anti-corrosive treatment).
- Avoid locations of poor ventilation and high temperature.
- Avoid too close to a wall etc. Leave sufficient room between the dryer and the wall according to the "Maintenance space" in the operation manual.
- Avoid locations where a dryer could draw in high temperature air that is discharged from an air compressor or other dryer.



The air exhaust should not flow into the neighboring equipment. (Top side)

- Avoid locations subjected to vibration.
- Avoid possible locations where the drain can freeze.
- Use the air dryer with an ambient temperature lower than 40°C.
- Avoid installation on machines for transporting, such as trucks, ships, etc.

Drain Tube

⚠ Caution

- A polyurethane tube is attached as a drain tube for the IDFA3E to 75E. Use this tube to discharge drainage.
- Do not use the drain tube in an upward direction. Do not bend or crush the drain tube. (Operation of the auto drain will stop water vapor from discharging through the air outlet.)

Power Supply

⚠ Caution

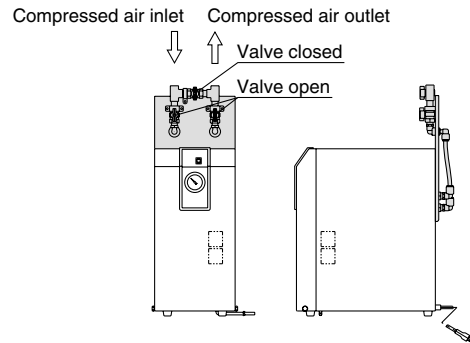
- Connect the power supply to the terminal block.
- Install a suitable circuit breaker applicable for the specific model.
- The voltage fluctuation should be maintained within $\pm 10\%$ of the rated voltage.

Air Piping

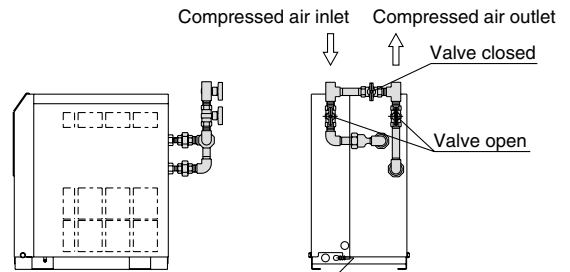
⚠ Caution

- Be careful to avoid an error in connecting the air piping at the compressed air inlet (IN) and outlet (OUT).
- Install by-pass piping since it is needed for maintenance.

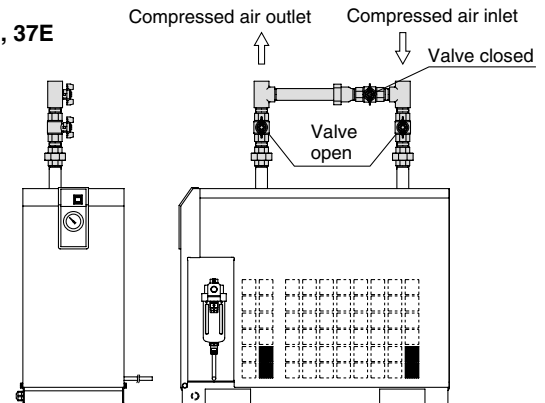
IDFA3E



IDFA4E to 15E



IDFA22E, 37E



HAA
HAW

AT

IDF
IDU

IDFA

IDFB

ID

IDG

AMG

AFF

AM

AMD

AMH

AME

AMF

SF

SFD

LLB

AD□

GD



Series IDFA□E

Specific Product Precautions 2

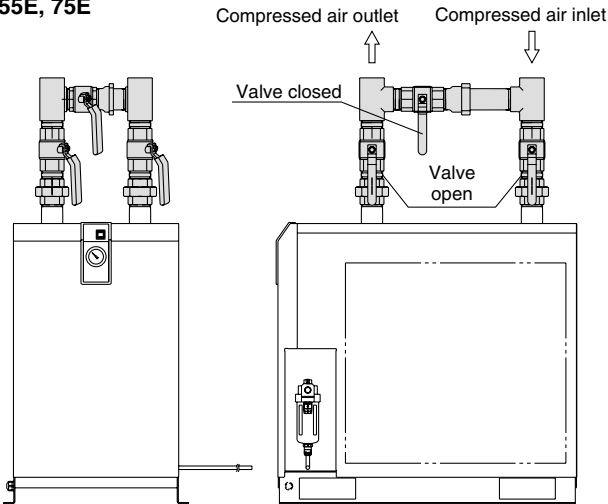
Be sure to read before handling.

Refer to front matters 42 and 43 for Safety Instructions and pages 6 to 8 for Air Preparation Equipment Precautions.

Air Piping

⚠ Caution

IDFA55E, 75E



- When tightening piping at the air inlet/outlet tube, the hexagonal parts of the port on the air dryer side or piping should be held firmly with a spanner or adjustable angle wrench.
- Variations in operating conditions may cause condensation to form at the surface of the outlet piping. Apply thermal insulation around the piping to prevent condensation from forming.
- Vibration resulting from the compressor should not be transmitted through air piping to the air dryer.
- Do not allow the weight of the piping to lie directly on the air dryer.

Protection Circuit

⚠ Caution

When the air dryer is operated under the following stated conditions, a protection circuit is activated, the light turns off and operation stops.

- When the compressed air temperature is too high.
- When the compressed air flow rate is too high.
- When the ambient temperature is too high. (40°C or higher)
- When the fluctuation of the power supply is beyond the rated voltage $\pm 10\%$.
- When the dryer is drawing in high temperature air that is discharged from an air compressor or other dryer.
- The ventilation port is obstructed by a wall or clogged with dust.

Compressor Air Delivery

⚠ Caution

Use an air compressor with an air delivery of 100 ℓ /min or larger with the IDFA3E to 75E series.

Since the auto drain of the IDFA3E to 75E is designed in such a way that the valve remains open unless the air pressure rises to 0.15 MPa or higher, air will blow out from the drain discharge port at the time of air compressor start-up until the pressure increases. Therefore, if an air compressor has a small air delivery, the pressure may not be sufficient.

Auto Drain

⚠ Caution

The auto drain may not function properly, depending on the quality of the compressed air. Check the operation once a day.

Cleaning of Ventilation Area

⚠ Caution

Remove dust from the ventilation area once a month using a vacuum cleaner or an air blow nozzle.

Time Delay for Restarting

⚠ Caution

Allow at least three minutes before restarting the dryer. If the air dryer is restarted within three minutes after being stopped, the protection circuit will be activated, operating light turns off and the dryer will not be activated.