





The models IDF1E to 11E and IDU3E to 6E have been revised. For details, refer to catalog no. ES30-8A. Similar updating for other IDF/IDU models is scheduled to follow shortly.

Accessories (Option)

Description	Features	Specifications	Applicable dryer	Dimensions
Transformer separately installed 	This is for power supply and voltage other than standard.	Max. ambient temperature 40°C (Relative humidity 85% or less)	All models	14-17-30
Base integrated with transformer 	This is the base for integrating the transformer and air dryer.	—	IDU3D to 15C IDF4D to 75C	14-17-30
Dust proof filter set 	Avoids decreasing of air dryer performance even in dusty atmosphere.	Max. ambient temperature 40°C	IDU3D to 75C IDF1D to 75C	14-17-30
Bypass piping set 	Easy bypass piping (connect this set to the air dryer), realizing substantial reduction of man-hours at the site.	Max. operating pressure 1.0MPa Max. operating temperature 60°C	IDU3D to 75C IDF1D to 75C	14-17-31

How to Order

Transformer separately installed

IDF — TR **1500** — **5**

Volume

Symbol	Volume	Applicable dryer
500	500 VA	IDU3D-1 to 11C-1, IDF1D-1 to 11C-1
1000	1 kVA	IDU15C-1, IDF15C-1
1500	1.5 kVA	IDU22C1-3, 37C1-3, IDF22C1-3, 37C1-3
4000	4 kVA	IDU55C-3, 75C-3, IDF55C-3, 75C-3
7000	7 kVA	IDF120D
9000	9 kVA	IDF150D
11000	11 kVA	IDF190D
13000	13 kVA	IDF240D
18000	18 kVA	IDF370B

Supply voltage

Symbol	Primary voltage	Secondary voltage	Model
1	110VAC (50Hz), 110 to 120VAC (60Hz)	100VAC (50Hz) 100 to 110VAC (60Hz)	Single phase Single turn
2	200, 220, 230, 240VAC (50Hz), 200 to 260VAC (60Hz)		
3	380, 400, 415VAC (50Hz), 380 to 420VAC (60Hz)		
4	420, 440, 480VAC (50Hz), 420 to 520VAC (60Hz)	200VAC (50Hz) 200 to 220VAC (60Hz)	Three phase Single turn
5	220VAC (50Hz), 220 to 240VAC (60Hz)		
6	380, 400, 415VAC (50Hz), 380 to 440VAC (60Hz)	200VAC (50/60Hz)	Three phase Compound
7	440, 460VAC (50Hz), 440 to 500VAC (60Hz)		
8	220, 240, 380, 400, 415, 440VAC (50/60Hz)		

Size order

Symbol	Applicable dryer
1	IDU3D, IDF4D
2	IDU4D to 15C, IDF6D to 15C
3	IDF22C1
4	IDF37C1 to 75C

Not available for IDF1D to 3D, IDU22C to 75C. Refer to page 14-17-30 for dimensions.

Dust proof filter set

IDU — FL **22** C

Applicable dryer

Symbol	Dryer	Symbol	Dryer	Symbol	Dryer
3	IDU3D	6	IDU6D	22	IDU22C1
4	IDU4D	8	IDU8D	37	IDU37C1
		11	IDU11C	55	IDU55C
		15	IDU15C	75	IDU75C

IDF — FL **22** C

Applicable dryer

Symbol	Dryer	Symbol	Dryer	Symbol	Dryer
1	IDF1D	6	IDF6D	22	IDF22C1
2	IDF2D	8	IDF8D	37	IDF37C1
3	IDF3D	11	IDF11C	55	IDF55C
4	IDF4D	15	IDF15C	75	IDF75C

IDF — FL **120** D

Applicable dryer

Symbol	Dryer
120	IDF120D
150	IDF150D
190	IDF190D
240	IDF240D

Bypass piping set

IDU — BP **22** C

Applicable dryer

Symbol	Dryer	Symbol	Dryer	Symbol	Dryer
3	IDU3D	6	IDU6D	22	IDU22C1
4	IDU4D	8	IDU8D	37	IDU37C1
		11	IDU11C	55	IDU55C
		15	IDU15C	75	IDU75C

IDF — BP **22** C

Applicable dryer

Symbol	Dryer	Symbol	Dryer	Symbol	Dryer
1	IDF1D	6	IDF6D	22	IDF22C1
2	IDF2D	8	IDF8D	37	IDF37C1
3	IDF3D	11	IDF11C	55	IDF55C
4	IDF4D	15	IDF15C	75	IDF75C

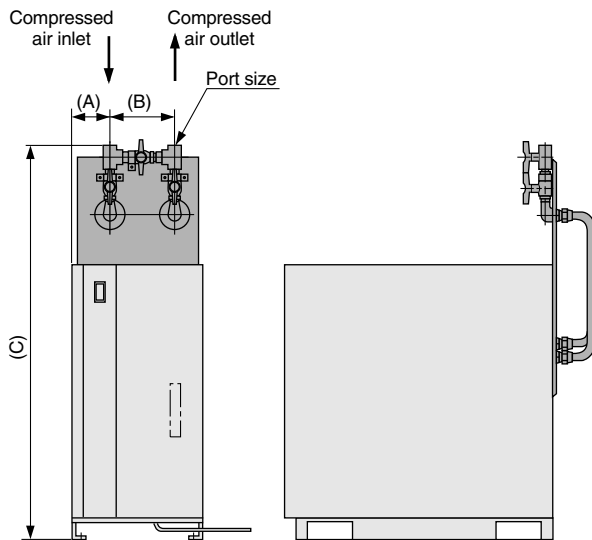
Cannot be mounted on models with option "A" (IDF6D to 75C). Available as Special Order Product.

The models IDF1E to 11E and IDU3E to 6E have been revised. For details, refer to catalog no. ES30-8A. Similar updating for other IDF/IDU models is scheduled to follow shortly.

Accessories (Options)

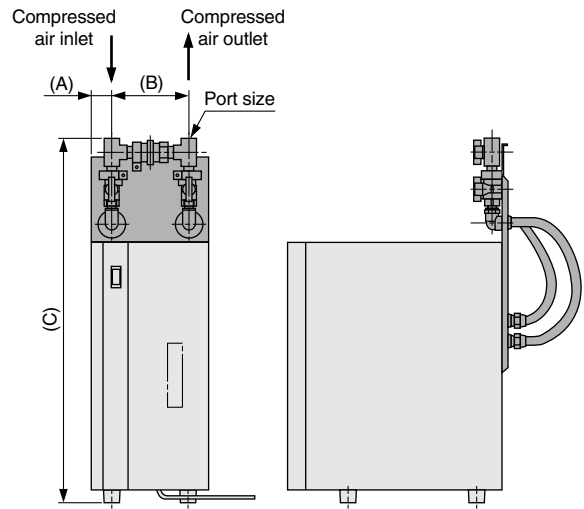
Bypass Piping Set

IDU3D, 4D



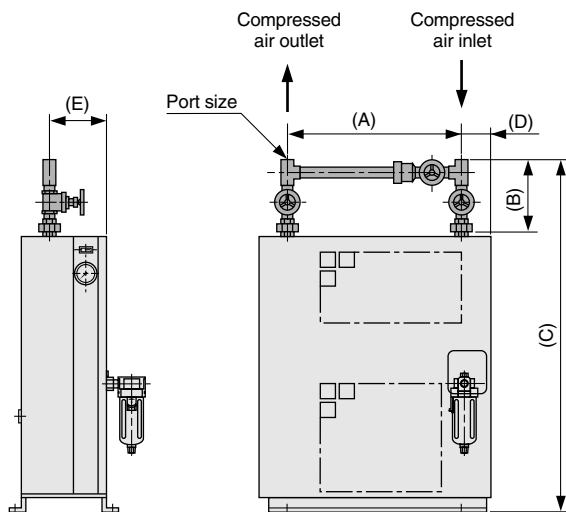
Part No.	Applicable dryer	Port size Rc	A	B	C
IDU-BP3C	IDU3D	3/8	77	112	706
IDU-BP4C	IDU4D		66	112	791

IDF1D, 2D, 3D, 4D



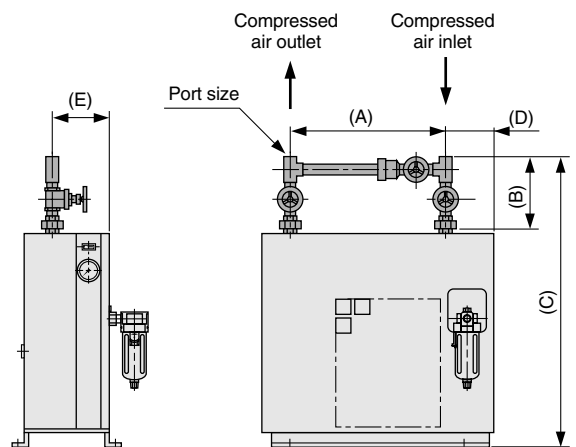
Part No.	Applicable dryer	Port size Rc	A	B	C
IDF-BP1C	IDF1D	3/8	34	112	563
IDF-BP2C	IDF2D		62	112	571
IDF-BP3C	IDF3D		57	112	632
IDF-BP4C	IDF4D		66	112	792

IDU6D, 8D, 11C, 15C, 22C1, 37C1, 55C, 75C



Part No.	Applicable dryer	Port size Rc	A	B	C	D	E
IDU-BP6C	IDU6D	1/2	445	165	915	85	141
IDU-BP8C	IDU8D	3/4	445	196	1045	85	141
IDU-BP11C	IDU11C	3/4	445	196	1155	91	152
IDU-BP15C	IDU15C	1	445	222	1230	91	175
IDU-BP22C	IDU22C1	1	445	222	1445	70	71
IDU-BP37C	IDU37C1	1 1/2	550	280	1615	136	112
IDU-BP55C	IDU55C	2	530	325	1750	155	87
IDU-BP75C	IDU75C	2	530	325	1885	220	87

IDF6D, 8D, 11C, 15C, 22C1, 37C1, 55C, 75C



Part No.	Applicable dryer	Port size Rc	A	B	C	D	E
IDF-BP6C	IDF6D	1/2	410	165	725	120	141
IDF-BP8C	IDF8D	3/4	410	196	755	120	141
IDF-BP11C	IDF11C	3/4	405	196	815	131	152
IDF-BP15C	IDF15C	1	405	222	890	131	175
IDF-BP22C	IDF22C1	1	405	222	970	91	183
IDF-BP37C	IDF37C1	1 1/2	405	280	1075	98	208
IDF-BP55C	IDF55C	2	405	325	1240	98	85
IDF-BP75C	IDF75C	2	405	325	1290	98	85

Cannot be mounted on models with option "A".

HA

AT

ID

AMG

AFF

AM

Misc.