

Mechanical Style Pressure Switch

Series IS1000

Long service life:
5 million cycles



IS1000-01 IS1000-01-X202

Specifications

Model	IS1000-01
Fluid	Air/Inert gas
Proof pressure	1.0 MPa
Max. operating pressure	0.7 MPa
Regulating pressure range (at OFF point)	0.1 to 0.4 MPa
Hysteresis	0.08 MPa or less
Error of scale	±0.05 MPa
Repeatability	±0.05 MPa
Contacts	1a
Wiring specifications	Grommet, Lead wire length 0.5 m (Standard)
Fluid	Air
Ambient and fluid temperature	-5 to 60°C (No freezing)
Port size	R 1/8
Weight	74 g

ZSE
ISE

PSE

ZSE3

PS

ZSE1

ZSP

ISA2

IS

ZSM

PF2

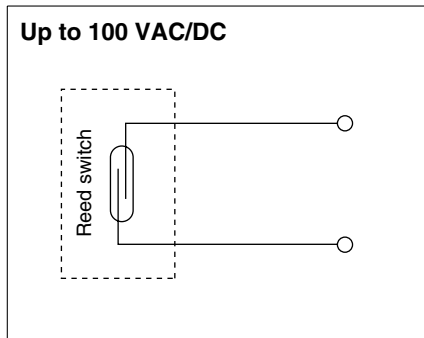
IF

Data

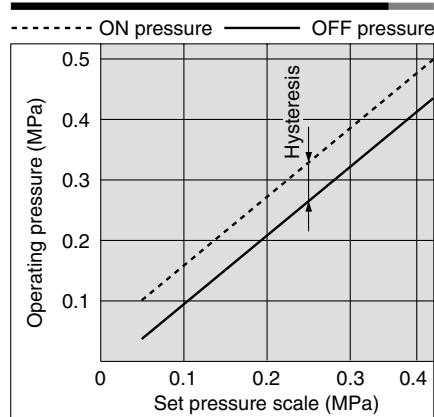
Switch Characteristics

Max. contact capacity	AC 2 VA, 2 W DC		
Voltage	24 VAC/DC or less	48 VAC/DC	100 VAC/DC
Max. operating current	50 mA	40 mA	20 mA
Impact resistance	30 G		

Electrical Circuit



Operating Pressure Range



How to Order

IS1000 — 01 S —

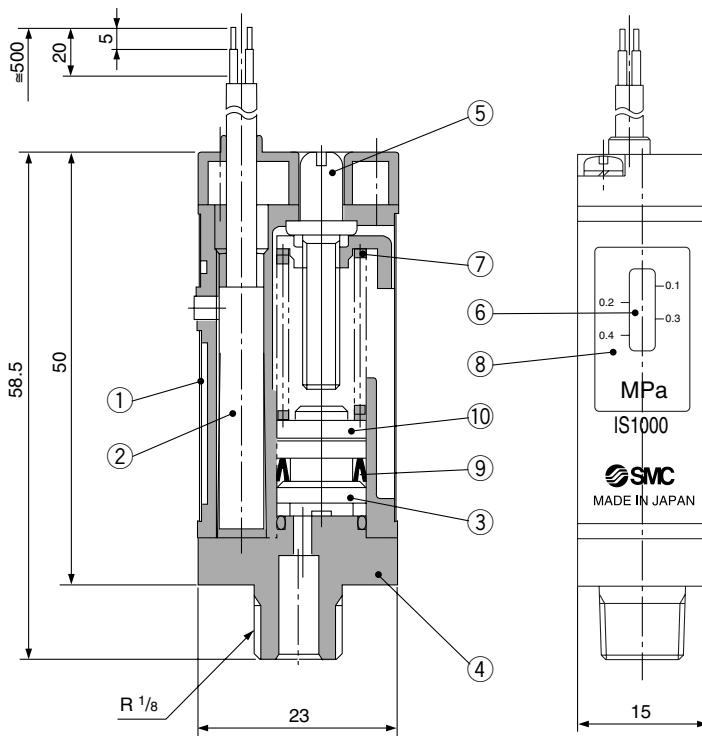
Port size	
01	R 1/8
N01	NPT 1/8

Seal	
Nil	None
S	With seal

Option	
X201	Lead wire length 3 m
X202	Regulating pressure range 0.1 to 0.6 MPa
X215	Lead wire length 3 m Regulating pressure range 0.1 to 0.6 MPa

Series IS1000

Construction



Component Parts

No.	Description	Material
①	Shield plate	Rolled steel plate
②	Switch assembly	—
③	Piston	Polyacetal
④	PT fittings	Zinc die-casted
⑤	Adjusting screw	Brass
⑥	Pointer	Brass
⑦	Spring	Stainless steel 304-WPB
⑧	Scale plate	Rigid vinyl chloride
⑨	Miniseal Y type	NBR
⑩	Magnet	Rare earth magnet

⚠ Precautions

Be sure to read before handling. Refer to pages 16-14-3 and 16-14-4 for Safety Instructions and Common Precautions on the products mentioned in this catalog, and refer to pages 16-1-11 to 16-1-13 for Precautions on every series.

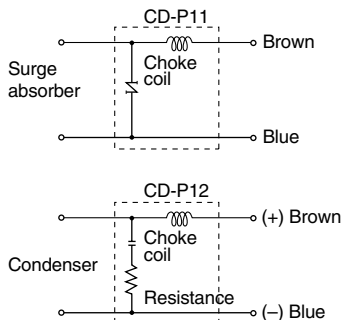
Wiring

⚠ Warning

1. Connect load before connecting with power source.
2. In the case of induction load or lead wire exceeding 5 m long, the following contact protection box should be used. It may lead to damage to a switch.

Part no.	Voltage	Lead wire length
CD-P11	100 VAC	Switch side: 0.5 m
CD-P12	24 VDC	Load side: 0.5 m

3. Internal circuit of contact protection box



4. How to connect contact protection box

Connect the lead wires from the body and the contact protective box side indicated "SWITCH". Lead wire should be as short as possible, within 1 m.

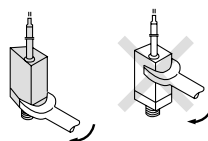
5. Dimensions of lead wire

Enclosure: ϕ 3.4
Insulator: ϕ 1.1
Conductor: ϕ 0.64

Mounting/Piping

⚠ Warning

1. **When changing piping by hand, hold body.** Electrical wire must not be subjected to excessive force. It may cause a malfunction or damage.
2. **Do not drop nor apply excessive force.** It may cause a malfunction or damage.
3. **Tighten IS1000-01 applying the spanner on the PT fitting part.**



4. **Mounting direction is available in either horizontal or perpendicular.**

Pressure Source

⚠ Warning

1. Do not use with corrosive gases or fluids.
2. Never use in an environment where flammable fluid or gas is used. Since this is not an explosion-proof construction, it may lead to an explosive disaster.
3. Avoid use in vacuum applications. Switch may be imploded.

Pressure Setting

⚠ Warning

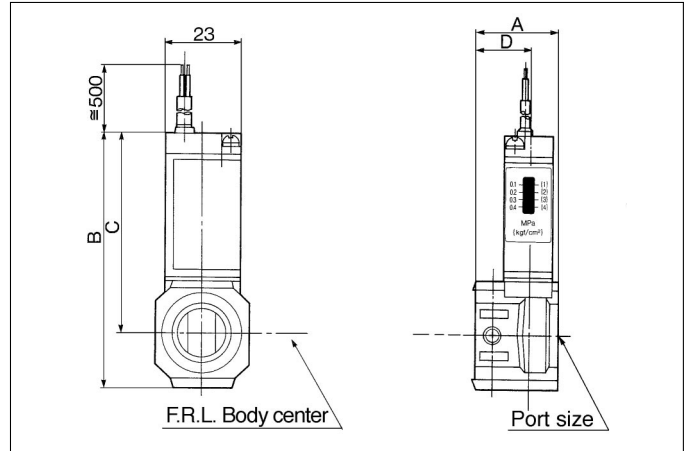
1. Scale of switching set display is the set value at the pressure drop.
2. When detecting ON-pressure signal, note that set pressure on scale plate plus ON-OFF differential (Hysteresis) will be ON-pressure signal.
3. Pressure display on the scale plate is just as a reference guide. For an accurate setting, measure it by pressure gauge.

Operating Environment

⚠ Warning

1. Avoid using a switch in a magnetic environment. It may cause a malfunction.
2. Do not use in such an environment, where water or oil is splashed. Since it is the open type construction, if water or oil make an ingress into the internal parts, the electric circuit will be corroded and may result in a malfunction or damage.
3. Avoid vibration. Vibration may cause malfunction or may cause setting to be incorrect.

Pressure Switch with Piping Adapter



Specifications

Fluid	Air
Proof pressure	1.0MPa
Max. operating pressure	0.7MPa
Set pressure range (off)	0.1 to 0.4MPa
Differential	0.08MPa
Ambient and fluid temperature	5 to 60°C (No condensation)

Switch Characteristics

Contact point structure	1a
Max. contact point capacity	2V AC/2W DC
Voltage AC, DC	12V, 24V, 48V, 100V
Max. operating current	AC, 12V to 24V DC: 50mA AC, 48V DC: 40mA AC, 100V DC: 20mA

Model (1)	Port size	A	B	C	D	Applicable model
IS1000E-2□01Y	1/8	28	73	62	18.5	AC2000, AC2010, AC2020 AC2030, AC2040 AW2000
IS1000E-2□02Y	1/4					
IS1000E-2□03Y	3/8					
IS1000E-3□02Y	1/4	26	80	63	16.5	AC2500, AC2520, AC2530 AC3000, AC3010, AC3020 AC3030, AC3040 AW3000, AW3050
IS1000E-3□03Y	3/8					
IS1000E-3□04Y	1/2	40	80	63	17.5	AC4000, AC4010, AC4020 AC4030, AC4040 AW4000, AW4050 (2)
IS1000E-4□02Y	1/4	33	87	66	17.5	
IS1000E-4□03Y	3/8					
IS1000E-4□04Y	1/2	50	87	66	17.5	
IS1000E-4□06Y	3/4					

Note1) □ in the part number indicate a connecting thread. Use nothing for Rc(PT), N for NPT and F for G(PF).

Note2) Can NOT be mounted on "AC40□0-06" and "AW40□0-06".

*With retainer, O ring and bolt.

**Consult SMC when mounting the pressure switch on "AC40□0-06" and "AW40□0-06".

*For more information, refer to p.3.0-0.

How to Order

IS1000E- 3 □ 03 YL □

Pressure switch with piping adapter

Body size

2	For AC2000
3	For AC2500, AC3000
4	For AC4000-02 to 04

Thread

—	Rc(PT)
N	NPT
F	G(PF)

Options

X201	Length of lead wire: 3m
X202	Setting pressure range: 0.1 to 0.6MPa
X250	Reverse mounting (Left side mounting style)

Attachment

—	Without attachment
Y	With attachment
YL	With attachment and L type bracket
YT	With attachment and T type bracket

Piping adapter port size

01	1/8
02	1/4
03	3/8
04	1/2
06	3/4

Attachments for IS1000E

Pressure switch applicable model No.	Y type standard	YL type with L type bracket	YT type with T type bracket
IS1000E-201 to 203	Y20E	Y20LE	Y20TE
IS1000E-302 to 304	Y30E	Y30LE	Y30TE
IS1000E-402 to 406	Y40E	Y40LE	Y40TE

AC

AV

AU

AF

AR

IR

VEX

AW

AMR

AWM

AWD

ITV

VBA

VE

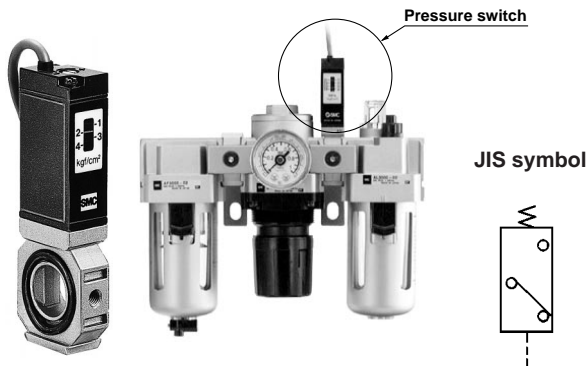
VY

G

AL

Pressure Switch: (S)

Compact pressure switch can be mounted easily.
Makes it easier to detect pressure in lines.



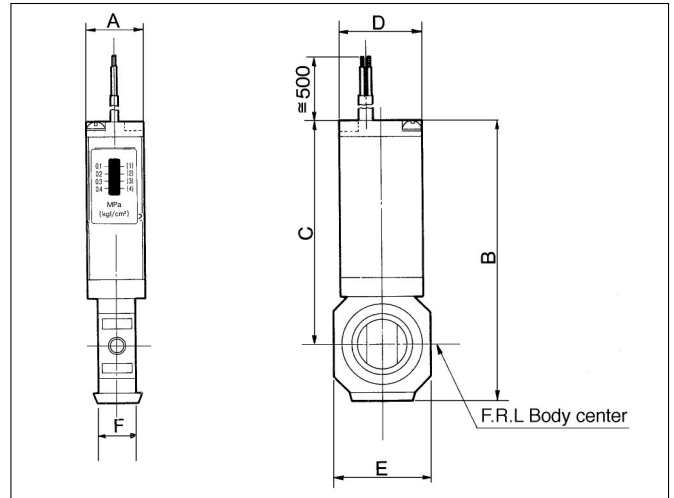
Specifications

Fluid	Air
Proof pressure	1.0MPa
Max. operating pressure	0.7MPa
Set pressure range (off)	0.1 to 0.4MPa
Differential	0.08MPa
Ambient and fluid temperature	5 to 60°C(No condensation)

Switch Characteristics

Contact point structure	1a
Max. contact point capacity	2V AC/2W DC
Voltage AC, DC	12V, 24V, 48V, 100V
Max. operating current	AC, 12V to 24V DC: 50mA AC, 48V DC: 40mA AC, 100V DC: 20mA

*For more information, refer to SMC
Pressure switch catalog. (Catalog No.E824)



Model	A	B	C	D	E	F	Applicable model
IS1000M-2Y	15	73.5	62.6	23	28	10	AC2000, AC2020, AC2030
IS1000M-3Y	15	82	64.9	23	29	11	AC2500, AC2520, AC2530 AC3000, AC3020, AC3030
IS1000M-4Y	15	88.7	67.6	23	35	14	AC4000, AC4020, AC4030
IS1000M-5Y	15	91	68	23	44	14	AC4000-06, AC4020-06 AC4030-06
IS1000M-6Y	15	100	72.5	23	54	15	AC5000, AC5500, AC6000 AC5020, AC5520, AC6020

Caution on Assembling

Attachment for pressure switch can be installed at the IN/OUT side of AF, AR, AL, AFM and AFD. Mounting at the IN/OUT side of AW and upward handle of AR is not possible.

How to Order

IS1000M - 4 - YT - []

Pressure switch

Body size

2	For AC2000
3	For AC2500, AC3000
4	For AC4000-02 to 04
5	For AC4000-06
6	For AC5000, AC6000

Options

X201	Length of lead wire: 3m
X202	Set pressure range: 0.1 to 0.6MPa

Attachment

—	Without attachment
Y	With attachment
YL	With attachment and L type bracket
YT	With attachment and T type bracket

Attachments for IS1000M

Pressure switch applicable model No.	Y type standard	YL type with L type bracket	YT type with T type bracket
IS1000M-2	Y20M	Y20LM	Y20TM
IS1000M-3	Y30M	Y30LM	Y30TM
IS1000M-4	Y40M	Y40LM	Y40TM
IS1000M-5	Y50M	Y50LM	Y50TM
IS1000M-6	Y60M	Y60LM	Y60TM

AC

AV

AU

AF

AR

IR

VEX

AW

AMR

AWM

AWD

ITV

VBA

VE

VY

G

AL

Pressure Switch (S)

A compact integrated pressure switch can be easily installed and facilitates the pressure detection of the line.



Specifications

Fluid	Air
Proof pressure	1.0MPa
Maximum operating pressure	0.7MPa
Set pressure range (off)	0.1 to 0.4MPa
Differential	0.08MPa
Ambient and fluid temperature	-5 to 60°C (with no freezing)

Switch characteristics

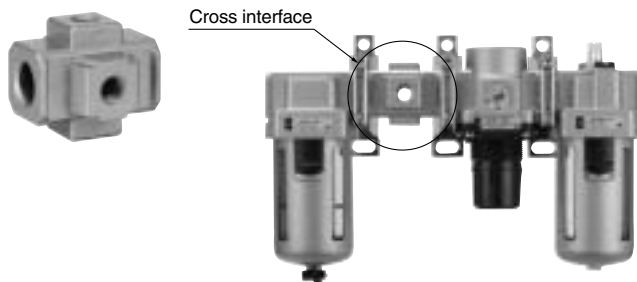
Contact point configuration	1a
Maximum contact point capacity	2VA(AC), 2W(DC)
Operating voltage: AC, DC	100V or less
Maximum operating current	AC, DC12V to 24V: 50mA AC, DC48V: 40mA AC, DC100V: 20mA

Cross Interface (C)

M5 x 0.8, 1/8, 1/4, 3/8, 1/2

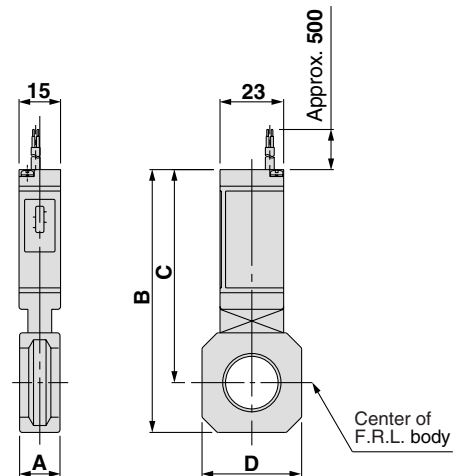
Pipings are possible in all 4 directions.

IN/OUT ports are not machined for threads. Contact SMC if threaded (machined) ports are required.



Cautions in Mounting

- When mounting a cross interface directly on the IN side of the lubricator, be sure to use a series AKM check valve between the lubricator and cross interface.
- Factory mounting of a cross interface on the AC model is available as a special order.



Model	A	B	C	D	Applicable model
IS1000M-20	11	76	66	28	AC20□
IS1000M-30	13	86	72	30	AC25□, AC30□
IS1000M-40	15	95	77	36	AC40□
IS1000M-50	17	99	79	44	AC40□-06
IS1000M-60	22	92.5	68.5	53	AC50□, AC55□, AC60□

Note) Separate interfaces are required for modular unit.

How to Order

IS1000M-30

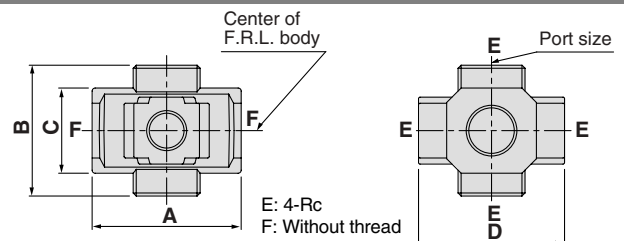
Pressure switch
Body size

20	For AC20
30	For AC25, AC30
40	For AC40-02 to 04
50	For AC40-06
60	For AC50, AC55, AC60

Accessories

X201	Lead wire length: 3m
X202	Regulating pressure range: 0.1 to 0.6MPa
X207	MPa/PSI Dual scale
X215	Lead wire length: 3m; Regulating pressure range: 0.1 to 0.6MPa

This product is for overseas use only according to the new Measurement Law. (The SI unit type is provided for use in Japan.)

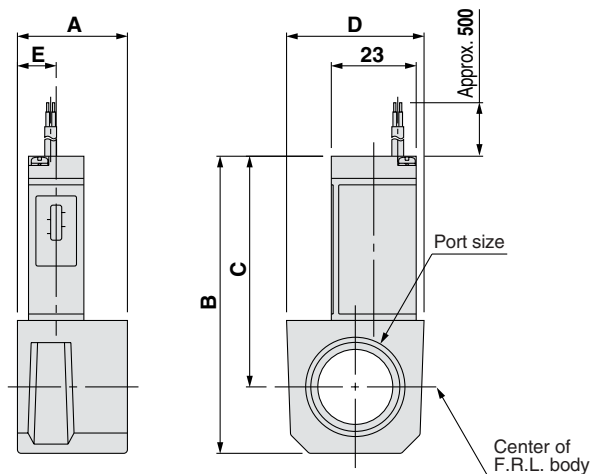
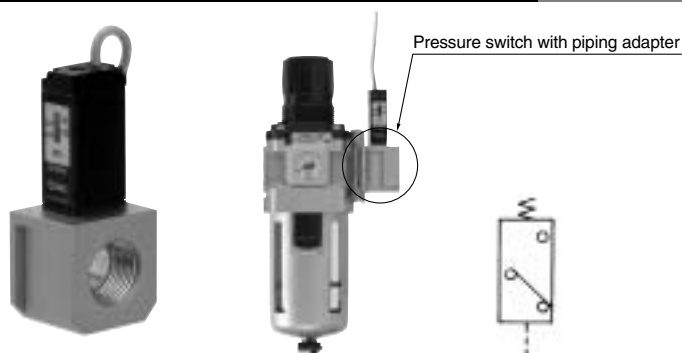


Model	Port size	A	B	C	D	Applicable model
Y14-M5	M5	23	16	14	25	AC10□
Y24-□01	1/8	40	40	22	40	AC20□
Y24-□02	1/4					
Y34-□01	1/8	49	43	28	48	AC25□, AC30□
Y34-□02	1/4					
Y44-□02	1/4	60	48	36	54	AC40□
Y44-□03	3/8					
Y54-□03	3/8	72	62	40	62	AC40□-06
Y54-□04	1/2					

Notes) □ in the model numbers indicates a thread type. No indication is necessary for Rc; however, indicate N for NPT, and F for G.

- If threaded ports are required, they are available as a special order. Contact SMC.

Pressure Switch with Piping Adapter (P)



Specifications

Fluid	Air
Proof pressure	1.0MPa
Maximum operating pressure	0.7MPa
Set pressure range (when OFF)	0.1 to 0.4MPa
Differential	0.08MPa
Ambient and fluid temperature	-5 to 60°C (with no freezing)

Switch characteristics

Contact point configuration	1a
Maximum contact point capacity	2VA(AC), 2W(DC)
Operating voltage: AC, DC	100V or less
Max. operating current	12V to 24V AC, DC: 50mA
	48V AC, DC: 40mA
	100V AC, DC: 20mA

Model <small>Note 1)</small>	Port size	A	B	C	D	E	Applicable model
IS1000E-20□01	1/8	30	68	57	28	16	AC20□
IS1000E-20□02	1/4						AR20□, AW20□
IS1000E-20□03	3/8						AWM20, AWD20
IS1000E-30□02	1/4	32	74.5	60.5	30	13	AC25□, AC30□
IS1000E-30□03	3/8						AR25□, AR30□, AW30□
IS1000E-30□04	1/2						AWM30, AWD30
IS1000E-40□02	1/4	32	80.5	62.5	37	12.5	AC40□ <small>Note 2)</small>
IS1000E-40□03	3/8						AR40□, AW40□
IS1000E-40□04	1/2						AWM40, AWD40
IS1000E-40□06	3/4						

Note 1) □ in the model numbers indicates a thread type. No indication is necessary for Rc; however, indicate N for NPT, and F for G.

Note 2) A pressure switch cannot be mounted on AC40□-06 and AW40□-06.

* Separate interfaces are required for modular unit.

** The pressure switch on AC40□-06 and above and AW40□-06 can be mounted by screwing IS1000-01 into the piping adapter E500-□06-X501 or E600-□06-X501 to E600-□06 to 10-X501 (with top-face thread Rc 1/8). Products with a premounted switch are available as a special order. Please contact SMC regarding their availability.

How to Order

IS1000E-30□03□

Pressure switch with piping adapter

Body size

20	For AC20
30	For AC25, AC30
40	For AC40-02 to 04

Thread type

Nil	Rc
N	NPT
F	G

Option

X201	Lead wire length: 3m
X202	Regulating pressure range: 0.1 to 0.6MPa
X207	MPa/PSI Dual scale
X215	Lead wire length: 3m; Regulating pressure range: 0.1 to 0.6MPa
X250	Opposite-side mounting (Left-side mounting type)
X251	Lead wire length: 3m; Opposite-side mounting (Left-side mounting type)
X252	Set pressure range: 0.1 to 0.6MPa; Opposite-side mounting (Left-side mounting type)
X253	Lead wire length: 3m; Regulating pressure range: 0.1 to 0.6MPa; Opposite-side mounting (Left-side mounting type)

This product is for overseas use only according to the new Measurement Law. (The SI unit type is provided for use in Japan.)

Piping adapter port size

Symbol	Port size	Body size		
		20	30	40
01	1/8	●	—	—
02	1/4	●	●	●
03	3/8	●	●	●
04	1/2	—	●	●
06	3/4	—	—	●

Pressure Switch with Piping Adaptor



Specifications

Fluid	Air
Proof pressure	145 psig (1.0 MPa)
Max. operating pressure	100 psig (0.7 MPa)
Setting range (off)	15~60 psig (0.1 ~ 0.4 MPa)
Differential pressure	Less than 12 psig (0.08 MPa)
Ambient and fluid temperature	40~140° F (5° ~ 60° C)

Characteristics

Type of actuation	1a (N.O.)
Switch capacity	AC2VA • DC2W
Operating voltage (AC,DC)	12V, 24V, 48V, 100V
Max. operating current	AC, DC12V~24V: 50mA AC, DC48V: 40mA AC, DC100V: 20mA
Response time	1.2ms

Model	Port size	A	B	C	D	E	Applicable model
NIS1000E-2N01Y	1/8						NAC2000• NAC2010 • NAC2020 NAC2030• NAC2040 NAW2000
NIS1000E-2N02Y	1/4	1.10 (28)	2.87 (73)	2.44 (62)	.73 (18.5)	1.10 (28)	
NIS1000E-2N03Y	3/8						
NIS1000E-3N02Y	1/4	1.02 (26)	3.15 (80)	2.48 (63)	.65 (16.5)	1.10 (28)	NAC2500• NAC2520 • NAC2530 NAC3000• NAC3010 • NAC3020• NAC3030• NAC3040 NAW3000
NIS1000E-3N03Y	3/8						
NIS1000E-3N04Y	1/2	1.02 (40)	3.15 (80)	2.48 (63)	.65 (17.5)	1.10 (28)	
NIS1000E-4N02Y	1/4					1.14 (29)	NAC4000• NAC4010 • NAC4020 NAC4030• NAC4040 NAW4000
NIS1000E-4N03Y	3/8	1.30 (33)	3.43 (87)	2.60 (66)	.65 (17.5)	1.38 (35)	
NIS1000E-4N04Y	1/2					1.73 (44)	
NIS1000E-4N06Y	3/4	1.97 (50)	3.43 (87)	2.60 (66)	.65 (17.5)	2.13 (54)	

How To Order

NIS1000E - 3 - 03 YL -

Pressure switch with piping adapter

Body size

2	NAC2000
3	NAC2500, NAC3000
4	NAC4000-02 ~ 04

Thread

—	Rc(PT)
N	NPT
F	G(PF)

Option

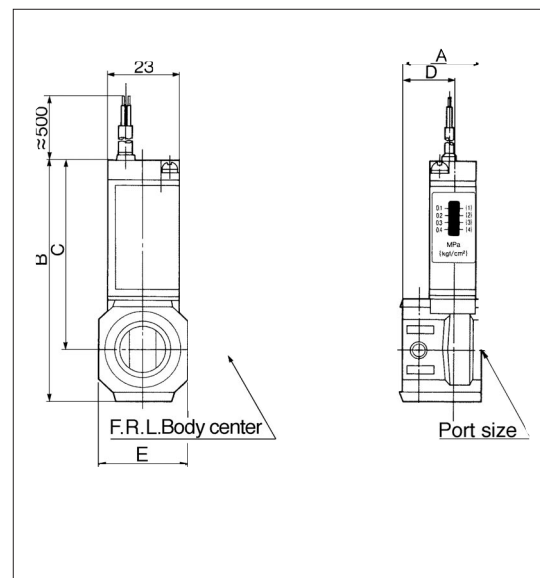
X201	Length of lead wire:3m
X202	Set pressure range 15-85 PSI (0.1 to 0.6Mpa)
X250	Reverse mounting (Left side mounting)

Attachment

—	Without attachment
Y	With attachment
YL	With attachment & L type bracket
YT	With attachment & T type bracket

Piping adaptor port size

01	1/8
02	1/4
03	3/8
04	1/2
06	3/4



Attachments for IS1000

Parts No. applying pressure switch	Y type standard	YL type with L type bracket	YT type with T type bracket
NIS1000E-N01 ~ N03	Y20E	Y20LE	Y20TE
NIS1000E-N02 ~ N04	Y30E	Y30LE	Y30TE
NIS1000E-N02 ~ N06	Y40E	Y40LE	Y40TE

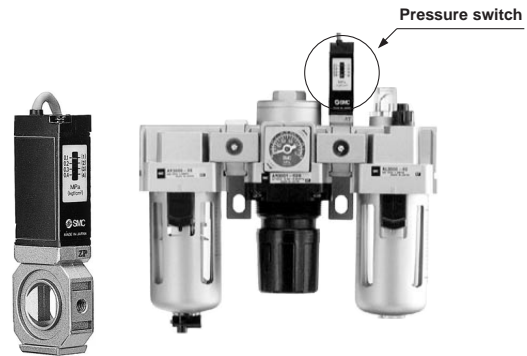
Pressure Switch

Specifications

Fluid	Air
Proof pressure	145 psig (1.0 MPa)
Max. operating pressure	100 psig (0.7 MPa)
Setting range (off)	15~60 psig (0.1 ~ 0.4 MPa)
Differential pressure	Less than 12 psig (0.08 MPa)
Ambient and fluid temperature	40~140° F (5° ~ 60° C)

Characteristics

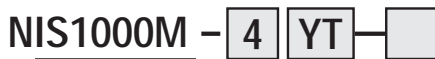
Type of actuation	1a (N.O.)
Switch capacity	AC2VA • DC2W
Operating voltage (AC,DC)	12V, 24V, 48V, 100V
Max. operating current	AC, DC12V~24V: 50mA AC, DC48V: 40mA AC, DC100V: 20mA
Response time	1.2ms



Caution on assembling

The pressure switch can be mounted on both IN and OUT sides on NAF, NAR, NAL, NAFM and NAFD but cannot be mounted in this way on NVHS, NAW, or when the handle of NAR faces upwards.

How To Order



Pressure switch

Body size

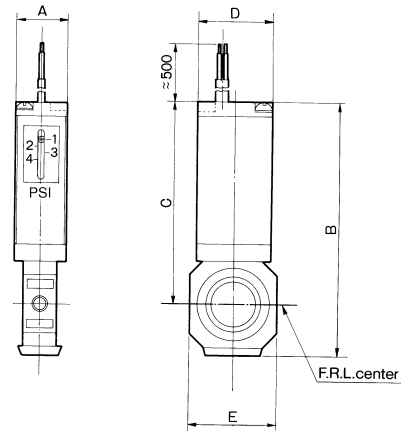
2	NAC2000
3	NAC2500, NAC3000
4	NAC4000-02 to 04
5	NAC4000-N06
6	NAC5000, NAC6000

Option

X201	Length of lead wire:3m
X202	Set pressure range 15~85 PSI (0.1 to 0.6Mpa)

Attachment

—	Without attachment
Y	With attachment
YL	With attachment and L type bracket
YT	With attachment and T type bracket



Attachments for IS1000


Part No. applying to pressure switch	Y type standard	YL type with L type bracket	YT type with T type bracket
NIS1000M-2	Y20M	Y20LM	Y20TM
NIS1000M-3	Y30M	Y30LM	Y30TM
NIS1000M-4	Y40M	Y40LM	Y40TM
NIS1000M-5	Y50M	Y50LM	Y50TM
NIS1000M-6	Y60M	Y60LM	Y60TM


Model	A	B	C	D	E	F	Applicable model
NIS1000M-2Y	.59 (15)	2.89 (73.5)	2.46 (62.6)	.91 (23)	1.10 (28)	.39 (10)	NAC2000• NAC2020• NAC2030
NIS1000M-3Y	.59 (15)	3.23 (82)	2.56 (64.9)	.91 (23)	1.14 (29)	.43 (11)	NAC2500• NAC2520• NAC2530 NAC3000• NAC3020• NAC3030
NIS1000M-4Y	.59 (15)	3.49 (88.7)	2.66 (67.6)	.91 (23)	1.38 (35)	.55 (14)	NAC4000• NAC4020• NAC4030
NIS1000M-5Y	.59 (15)	3.58 (91)	2.68 (68)	.91 (23)	1.73 (44)	.55 (14)	NAC4000-N06• NAC4020-N06 NAC4030-N06
NIS1000M-6Y	.59 (15)	3.94 (100)	2.85 (72.5)	.91 (23)	2.13 (54)	.59 (15)	NAC5000• NAC5500• NAC6000 NAC5020• NAC5520• NAC6020




Safety Instructions

These safety instructions are intended to prevent a hazardous situation and/or equipment damage. These instructions indicate the level of potential hazard by labels of "Caution", "Warning" or "Danger". To ensure safety, be sure to observe ISO 4414 ^{Note 1)}, JIS B 8370 ^{Note 2)} and other safety practices.

 **Caution** : Operator error could result in injury or equipment damage.

 **Warning** : Operator error could result in serious injury or loss of life.

 **Danger** : In extreme conditions, there is a possible result of serious injury or loss of life.

Note 1) ISO 4414: Pneumatic fluid power--General rules relating to systems.

Note 2) JIS B 8370: General Rules for Pneumatic Equipment

Warning

1. The compatibility of pneumatic equipment is the responsibility of the person who designs the pneumatic system or decides its specifications.

Since the products specified here are used in various operating conditions, their compatibility for the specific pneumatic system must be based on specifications or after analysis and/or tests to meet your specific requirements. The expected performance and safety assurance will be the responsibility of the person who has determined the compatibility of the system. This person should continuously review the suitability of all items specified, referring to the latest catalog information with a view to giving due consideration to any possibility of equipment failure when configuring a system.

2. Only trained personnel should operate pneumatically operated machinery and equipment.

Compressed air can be dangerous if an operator is unfamiliar with it. Assembly, handling or repair of pneumatic systems should be performed by trained and experienced operators.

3. Do not service machinery/equipment or attempt to remove components until safety is confirmed.

1. Inspection and maintenance of machinery/equipment should only be performed once measures to prevent falling or runaway of the driver objects have been confirmed.
2. When equipment is to be removed, confirm the safety process as mentioned above. Cut the supply pressure for this equipment and exhaust all residual compressed air in the system.
3. Before machinery/equipment is restarted, take measures to prevent shooting-out of cylinder piston rod, etc.

4. Contact SMC if the product is to be used in any of the following conditions:

1. Conditions and environments beyond the given specifications, or if product is used outdoors.
2. Installation on equipment in conjunction with atomic energy, railway, air navigation, vehicles, medical equipment, food and beverages, recreation equipment, emergency stop circuits, clutch and brake circuits in press applications, or safety equipment.
3. An application which has the possibility of having negative effects on people, property, or animals, requiring special safety analysis.



Common Precautions

Be sure to read before handling.

For detailed precautions on every series, refer to main text.

Selection

Warning

1. Confirm the specifications.

Products represented in this catalog are designed for use in compressed air applications only (including vacuum), unless otherwise indicated.

Do not use the product outside their design parameters.

Please contact SMC when using the products in applications other than compressed air (including vacuum).

Mounting

Warning

1. Instruction manual

Install the products and operate them only after reading the instruction manual carefully and understanding its contents. Also keep the manual where it can be referred to as necessary.

2. Securing the space for maintenance

When installing the products, please allow access for maintenance.

3. Tightening torque

When installing the products, please follow the listed torque specifications.

Piping

Caution

1. Before piping

Make sure that all debris, cutting oil, dust, etc., are removed from the piping.

2. Wrapping of pipe tape

When screwing piping or fittings into ports, ensure that chips from the pipe threads or sealing material do not get inside the piping. Also, when the pipe tape is used, leave 1.5 to 2 thread ridges exposed at the end of the threads.

Air Supply

Warning

1. Operating fluid

Please consult with SMC when using the product in applications other than compressed air (including vacuum).

Regarding products for general fluid, please ask SMC about applicable fluids.

2. Install an air dryer, aftercooler, etc.

Excessive condensate in a compressed air system may cause valves and other pneumatic equipment to malfunction.

Installation of an air dryer, after cooler etc. is recommended.

3. Drain flushing

If condensate in the drain bowl is not emptied on a regular basis, the bowl will over flow and allow the condensate to enter the compressed air lines.

If the drain bowl is difficult to check and remove, it is recommended that a drain bowl with the auto-drain option be installed.

For compressed air quality, refer to "Air Preparation Equipment" catalog.

4. Use clean air

If the compressed air supply is contaminated with chemicals, synthetic materials, corrosive gas, etc., it may lead to break down or malfunction.

Operating Environment

Warning

1. Do not use in environments where the product is directly exposed to corrosive gases, chemicals, salt water, water or steam.

2. Do not expose the product to direct sunlight for an extended period of time.

3. Do not use in a place subject to heavy vibrations and/or shocks.

4. Do not mount the product in locations where it is exposed to radiant heat.

Maintenance

Warning

1. Maintenance procedures are outlined in the operation manual.

Not following proper procedures could cause the product to malfunction and could lead to damage to the equipment or machine.

2. Maintenance work

If handled improperly, compressed air can be dangerous.

Assembly, handling and repair of pneumatic systems should be performed by qualified personnel only.

3. Drain flushing

Remove drainage from air filters regularly. (Refer to the specifications.)

4. Shut-down before maintenance

Before attempting any kind of maintenance make sure the supply pressure is shut of and all residual air pressure is released from the system to be worked on.

5. Start-up after maintenance and inspection

Apply operating pressure and power to the equipment and check for proper operation and possible air leaks. If operation is abnormal, please verify product set-up parameters.

6. Do not make any modifications to be product.

Do not take the product apart.

Quality Assurance Information (ISO 9001, ISO 14001)

Reliable quality of products in the global market

To enable our customers throughout the world to use our products with even greater confidence, SMC has obtained certification for international standards “ISO 9001” and “ISO 14001”, and created a complete structure for quality assurance and environmental controls. SMC products pursue to meet its customers’ expectations while also considering company’s contribution in society.

Quality management system ISO 9001

This is an international standard for quality control and quality assurance. SMC has obtained a large number of certifications in Japan and overseas, providing assurance to our customers throughout the world.

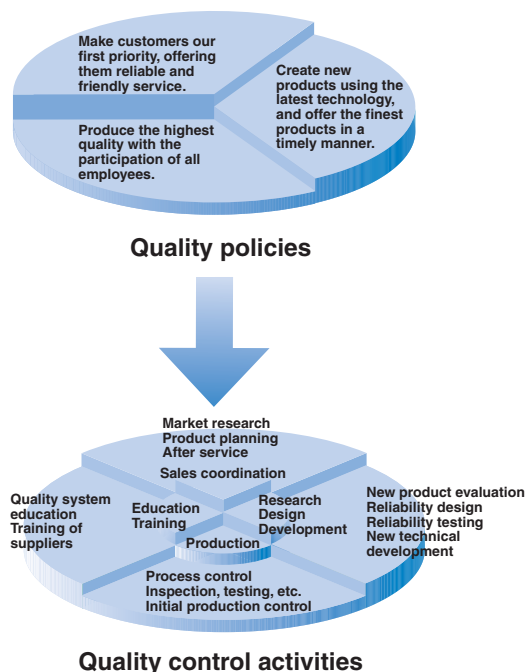


Environmental management system ISO 14001

This is an international standard related to environmental management systems and environmental inspections. While promoting environmentally friendly automation technology, SMC is also making diligent efforts to preserve the environment.



SMC’s quality control system



SMC Product Conforming to Inter

SMC products complying with EN/ISO, CSA/UL standards are supporting



The CE mark indicates that machines and components meet essential requirements of all the EC Directives applied.

It has been obligatory to apply CE marks indicating conformity with EC Directives when machines and components are exported to the member Nations of the EU.

Once "A manufacturer himself" declares a product to be safe by means of CE marking (declaration of conformity by manufacturer), free distribution inside the member Nations of the EU is permissible.

■ CE Mark

SMC provides CE marking to products to which EMC and Low Voltage Directives have been applied, in accordance with CETOP (European hydraulics and pneumatics committee) guide lines.

■ As of February 1998, the following 18 countries will be obliged to conform to CE mark legislation

Iceland, Ireland, United Kingdom, Italy, Austria, Netherlands, Greece, Liechtenstein, Sweden, Spain, Denmark, Germany, Norway, Finland, France, Belgium, Portugal, Luxembourg

■ EC Directives and Pneumatic Components

• Machinery Directive

The Machinery Directive contains essential health and safety requirements for machinery, as applied to industrial machines e.g. machine tools, injection molding machines and automatic machines. Pneumatic equipment is not specified in Machinery Directive. However, the use of SMC products that are certified as conforming to EN Standards, allows customers to simplify preparation work of the Technical Construction File required for a Declaration of Conformity.

• Electromagnetic Compatibility (EMC) Directive

The EMC Directive specifies electromagnetic compatibility. Equipment which may generate electromagnetic interference or whose function may be compromised by electromagnetic interference is required to be immune to electromagnetic affects (EMS/immunity) without emitting excessive electromagnetic affects (EMI/emission).

• Low Voltage Directive

This directive is applied to products, which operate above 50 VAC to 1000 VAC and 75 VDC to 1500 VDC operating voltage, and require electrical safety measures to be introduced.

• Simple Pressure Vessels Directive

This directive is applied to welded vessels whose maximum operating pressure (PS) and volume of vessel (V) exceed 50 bar/L. Such vessels require EC type examination and then CE marking.

national Standards

you to comply with EC directives and CSA/UL standards.



■ CSA Standards & UL Standards

UL and CSA standards have been applied in North America (U.S.A. and Canada) symbolizing safety of electric products, and are defined to mainly prevent danger from electric shock or fire, resulting from trouble with electric products. Both UL and CSA standards are acknowledged in North America as the first class certifying body. They have a long experience and ability for issuing product safety certificate. Products approved by CSA or UL standards are accepted in most states and governments beyond question.

Since CSA is a test certifying body as the National Recognized Testing Laboratory (NRTL) within the jurisdiction of Occupational Safety and Health Administration (OSHA), SMC was tested for compliance with CSA Standards and UL Standards at the same time and was approved for compliance with the two Standards. The above CSA NRTL/C logo is described on a product label in order to indicate that the product is approved by CSA and UL Standards.

■ TSSA (MCCR) Registration Products

TSSA is the regulation in Ontario State, Canada. The products that the operating pressure is more than 5 psi (0.03 MPa) and the piping size is bigger than 1 inch. fall into the scope of TSSA regulation.

Products conforming to CE Standard

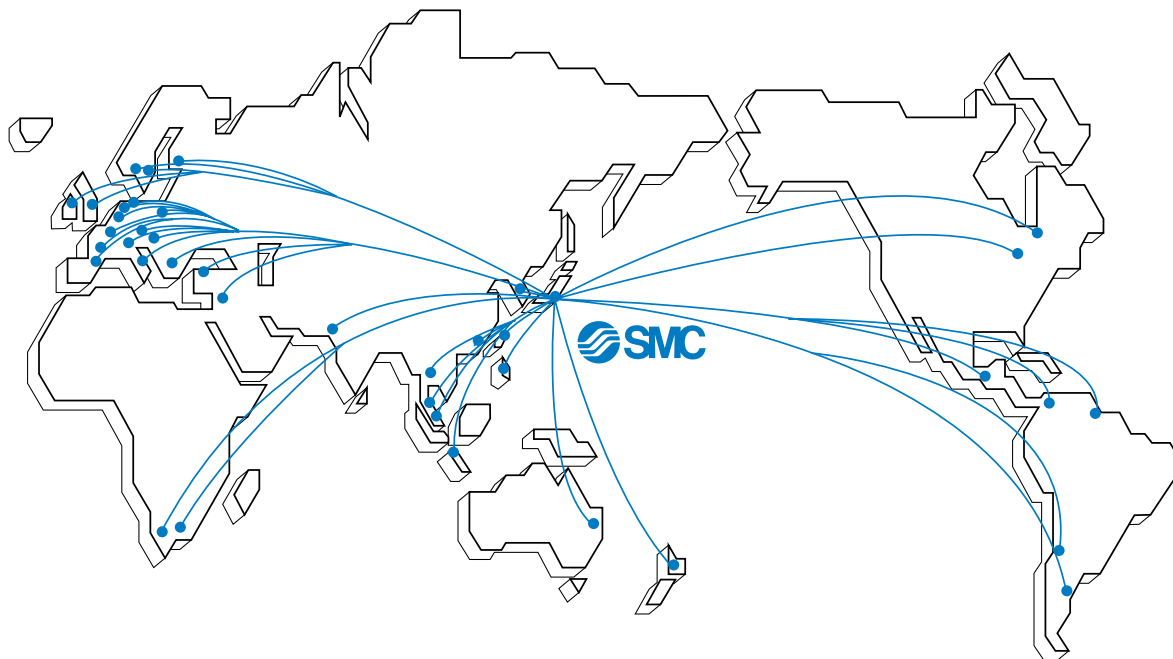


With CE symbol for simple visual recognition

In this catalog each accredited product series is indicated with a CE mark symbol. However, in some cases, every available models may not meet CE compliance. Please visit our web site for the latest selection of available models with CE mark.

<http://www.smcworld.com>

SMC's Global Service Network



America

U.S.A. **SMC Corporation of America**

3011 North Franklin Road Indianapolis, IN 46226, U.S.A.
TEL: 317-899-4440 FAX: 317-899-3102

CANADA **SMC Pneumatics (Canada) Ltd.**

6768 Financial Drive Mississauga, Ontario, L5N 7J6 Canada
TEL: 905-812-0400 FAX: 905-812-8686

MEXICO **SMC Corporation (Mexico), S.A. DE C.V.**

Carr. Silao-Trejo K.M. 2.5 S/N, Predio San Jose del Duranzo
C.P. 36100, Silao, Gto., Mexico
TEL: 472-72-2-55-00 FAX: 472-72-2-59-44/2-59-46

CHILE **SMC Pneumatics (Chile) S.A.**

Av. La Montaña 1,115 km. 16.5 P. Norte Parque
Industrial Valle Grande, Lampa Santiago, Chile
TEL: 02-270-8600 FAX: 02-270-8601

ARGENTINA **SMC Argentina S.A.**

Teodoro Garcia 3860 (1427) Buenos Aires, Argentina
TEL: 011-4555-5762 FAX: 011-4555-5762

BOLIVIA **SMC Pneumatics Bolivia S.R.L.**

Avenida Beni Numero 4665
Santa Cruz de la Sierra-Casilla de Correo 2281, Bolivia
TEL: 591-3-3428383 FAX: 591-3-3449900

VENEZUELA **SMC Neumatica Venezuela S.A.**

Apartado 40152, Avenida Nueva Granada, Edificio Wanlac,
Local 5, Caracas 1040-A, Venezuela
TEL: 2-632-1310 FAX: 2-632-3871

PERU (Distributor) **IMPECO Automatizacion Industrial S.A.**

AV. Canevaro 752, Lince, Lima, Peru
TEL: 1-471-6002 FAX: 1-471-0935

URUGUAY (Distributor) **BAKO S.A.**

Galicia 1650 esq. Gaboto C.P. 11200, Montevideo, Uruguay
TEL: 2-401-6603 FAX: 2-409-4306

BRAZIL **SMC Pneumaticos Do Brasil Ltda.**

Rua. Dra. Maria Fidelis, nr. 130, Jardim Piraporinha-Diadema-S.P.
CEP: 09950-350, Brasil
TEL: 11-4051-1177 FAX: 11-4071-6636

COLOMBIA (Distributor) **Airmatic Ltda.**

Calle 18 69-05 Apart. Aereo 081045 Santa Fe de Bogotá, Colombia
TEL: 1-424-9240 FAX: 1-424-9260

Europe

U.K. **SMC Pneumatics (U.K.) Ltd.**

Vincent Avenue, Crownhill, Milton Keynes, MK8 0AN, Buckinghamshire, U.K.
TEL: 01908-563888 FAX: 01908-561185

GERMANY **SMC Pneumatik GmbH**

Boschring 13-15 D-63329 Egelsbach, Germany
TEL: 06103-4020 FAX: 06103-402139

ITALY **SMC Italia S.p.A.**

Via Garibaldi 62 I-20061 Carugate Milano, Italy
TEL: 02-9271365 FAX: 02-9271365

FRANCE **SMC Pneumatique S.A.**

1 Boulevard de Strasbourg, Parc Gustave Eiffel, Bussy Saint Georges, F-77600
Marne La Vallee Cedex 3 France
TEL: 01-64-76-10-00 FAX: 01-64-76-10-10

SWEDEN **SMC Pneumatics Sweden AB**

Ekhagsvägen 29-31, S-141 05 Huddinge, Sweden
TEL: 08-603-07-00 FAX: 08-603-07-10

SWITZERLAND **SMC Pneumatik AG**

Dorfstrasse 7, Postfach 117, CH-8484 Weisslingen, Switzerland
TEL: 052-396-3131 FAX: 052-396-3191

AUSTRIA **SMC Pneumatik GmbH (Austria)**

Girakstrasse 8, A-2100 Korneuburg, Austria
TEL: 0-2262-6228-0 FAX: 0-2262-62285

SPAIN **SMC España, S.A.**

Zuazobidea 14 Pol. Ind. Júndiz 01015 Vitoria, Spain
TEL: 945-184-100 FAX: 945-184-510

IRELAND **SMC Pneumatics (Ireland) Ltd.**

2002 Citywest Business Campus, Naas Road, Saggart, Co. Dublin, Ireland
TEL: 01-403-9000 FAX: 01-466-0385

NETHERLANDS (Associated company) **SMC Pneumatics BV**

De Ruyterkade 120, NL-1011 AB Amsterdam, Netherlands
TEL: 020-5318888 FAX: 020-5318880

GREECE (Distributor) **S.Parianopoulos S.A.**

7, Konstantinoupoleos Street 11855 Athens, Greece
TEL: 01-3426076 FAX: 01-3455578

DENMARK **SMC Pneumatik A/S**

Knudsminde 4 B DK-8300
Odder, Denmark
TEL: 70252900 FAX: 70252901

Europe

FINLAND SMC Pneumatics Finland OY

PL72, Tiistiniityntie 4, SF-02231 ESP00, Finland
TEL: 09-8595-80 FAX: 09-8595-8595

NORWAY SMC Pneumatics Norway A/S

Vollsvæien 13C, Granfoss Næringspark N-1366 LYSAKER, Norway
TEL: 67-12-90-20 FAX: 67-12-90-21

BELGIUM (Distributor) SMC Pneumatics N.V./S.A.

Nijverheidsstraat 20 B-2160 Wommelgem Belgium
TEL: 03-355-1464 FAX: 03-355-1466

POLAND SMC Industrial Automation Polska Sp.z.o.o.

ul. Konstruktorska 11A, PL-02-673 Warszawa, Poland
TEL: 022-548-5085 FAX: 022-548-5087

TURKEY (Distributor) Entek Pnömatik San.ve Tic. Ltd. Sti

Perpa Tic. Merkezi Kat:11 No.1625 80270 Okmeydani Istanbul, Türkiye
TEL: 0212-221-1512 FAX: 0212-221-1519

RUSSIA SMC Pneumatik LLC.

36/40 Sredny prospect V.O. St. Petersburg 199004, Russia
TEL: 812-118-5445 FAX: 812-118-5449

CZECH SMC Industrial Automation CZ s.r.o.

Hudcova 78a, CZ-61200 Brno, Czech Republic
TEL: 05-4121-8034 FAX: 05-4121-8034

HUNGARY SMC Hungary Ipari Automatizálási kft.

Budafoki ut 107-113 1117 Budapest
TEL: 01-371-1343 FAX: 01-371-1344

ROMANIA SMC Romania S.r.l.

Str. Frunzei, Nr. 29, Sector 2, Bucharest, Romania
TEL: 01-3205111 FAX: 01-3261489

SLOVAKIA SMC Priemyselná automatizácia, s.r.o.

Nova 3, SK-83103 Bratislava
TEL: 02-4445-6725 FAX: 02-4445-6028

SLOVENIA SMC Industrijska Avtomatila d.o.o.

Grajski trg 15, SLO- 8360 Zuzemberk, Slovenia
TEL: 07388-5240 FAX: 07388-5249

LATVIA SMC Pneumatics Latvia SIA

Šmerļa ielā 1-705, Rīga LV-1006
TEL: 777 94 74 FAX: 777 94 75

SOUTH AFRICA (Distributor) Hyflo Southern Africa (Pty.) Ltd.

P.O.Box 240 Paardeneiland 7420 South Africa
TEL: 021-511-7021 FAX: 021-511-4456

EGYPT (Distributor) Saadani Trading & Ind. Services

15 Sebaai Street, Miami 21411 Alexandria, Egypt
TEL: 3-548-50-34 FAX: 3-548-50-34

Oceania/Asia

AUSTRALIA SMC Pneumatics (Australia) Pty.Ltd.

14-18 Hudson Avenue Castle Hill NSW 2154, Australia
TEL: 02-9354-8222 FAX: 02-9894-5719

NEW ZEALAND SMC Pneumatics (New Zealand) Ltd.

8C Sylvia Park Road Mt.Wellington Auckland, New Zealand
TEL: 09-573-7007 FAX: 09-573-7002

TAIWAN SMC Pneumatics (Taiwan) Co.,Ltd.

17, Lane 205, Nansan Rd., Sec.2, Luzhu-Hsiang, Taoyuan-Hsien, TAIWAN
TEL: 03-322-3443 FAX: 03-322-3387

HONG KONG SMC Pneumatics (Hong Kong) Ltd.

29/F, Clifford Centre, 778-784 Cheung, Sha Wan Road, Lai Chi Kok, Kowloon, Hong Kong
TEL: 2744-0121 FAX: 2785-1314

SINGAPORE SMC Pneumatics (S.E.A.) Pte. Ltd.

89 Tuas Avenue 1, Jurong Singapore 639520
TEL: 6861-0888 FAX: 6861-1889

PHILIPPINES SHOKETSU SMC Corporation

Unit 201 Common Goal Tower, Madrigal Business Park, Ayala Alabang Muntinlupa, Philippines
TEL: 02-8090565 FAX: 02-8090586

MALAYSIA SMC Pneumatics (S.E.A.) Sdn. Bhd.

Lot 36 Jalan Delima1/1, Subang Hi-Tech Industrial Park, Batu 3 40000 Shah Alam Selangor, Malaysia
TEL: 03-56350590 FAX: 03-56350602

SOUTH KOREA SMC Pneumatics Korea Co., Ltd.

Woolim e-BIZ Center (Room 1008), 170-5, Guro-Dong, Guro-Gu, Seoul, 152-050, South Korea
TEL: 02-3219-0700 FAX: 02-3219-0702

CHINA SMC (China) Co., Ltd.

7 Wan Yuan St. Beijing Economic & Technological Development Zone 100176, China
TEL: 010-67882111 FAX: 010-67881837

THAILAND SMC Thailand Ltd.

134/6 Moo 5, Tiwanon Road, Bangkadi, Amphur Muang, Patumthani 12000, Thailand
TEL: 02-963-7099 FAX: 02-501-2937

INDIA SMC Pneumatics (India) Pvt. Ltd.

D-107 to 112, Phase-2, Extension, Noida, Dist. Gautaim Budh Nagar, U.P. 201 305, India
TEL: (0120)-4568730 FAX: 0120-4568933

INDONESIA (Distributor) P.T. Riyadi Putera Makmur

Jalan Hayam Wuruk Komplek Glodok Jaya No. 27-28 Jakarta 11180 Indonesia
TEL: 021-625 5548 FAX: 021-625 5888

PAKISTAN (Distributor) Jubilee Corporation

First Floor Mercantile Centre, Newton Road Near Boulton Market P.O. Box 6165 Karachi 74000 Pakistan
TEL: 021-243-9070/8449 FAX: 021-241-4589

ISRAEL (Distributor) Baccara Automation Control

Kvutza Geva 18915 Israel
TEL: 04-653-5960 FAX: 04-653-1445

SAUDI ARABIA (Distributor) Assaggaff Trading Est.

P.O. Box 3385 Al-Amir Majed Street, Jeddah-21471, Saudi Arabia
TEL: 02-6761574 FAX: 02-6708173