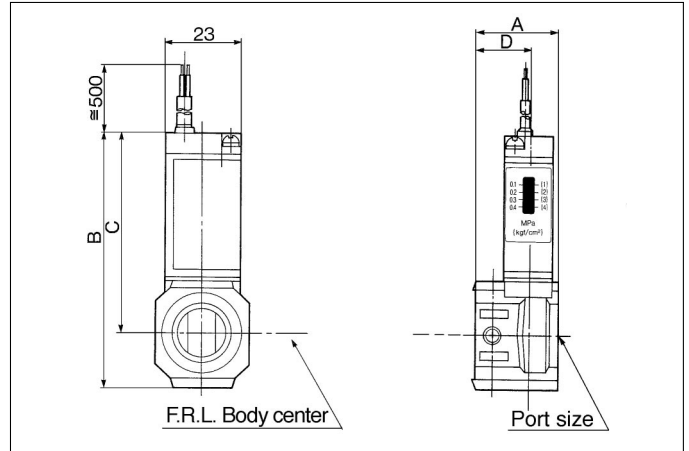


Pressure Switch with Piping Adapter



Specifications

Fluid	Air
Proof pressure	1.0MPa
Max. operating pressure	0.7MPa
Set pressure range (off)	0.1 to 0.4MPa
Differential	0.08MPa
Ambient and fluid temperature	5 to 60°C (No condensation)

Switch Characteristics

Contact point structure	1a
Max. contact point capacity	2V AC/2W DC
Voltage AC, DC	12V, 24V, 48V, 100V
Max. operating current	AC, 12V to 24V DC: 50mA AC, 48V DC: 40mA AC, 100V DC: 20mA

Model (1)	Port size	A	B	C	D	Applicable model
IS1000E-2□01Y	1/8	28	73	62	18.5	AC2000, AC2010, AC2020 AC2030, AC2040 AW2000
IS1000E-2□02Y	1/4					
IS1000E-2□03Y	3/8					
IS1000E-3□02Y	1/4	26	80	63	16.5	AC2500, AC2520, AC2530 AC3000, AC3010, AC3020 AC3030, AC3040 AW3000, AW3050
IS1000E-3□03Y	3/8					
IS1000E-3□04Y	1/2	40	80	63	17.5	AC4000, AC4010, AC4020 AC4030, AC4040 AW4000, AW4050 (2)
IS1000E-4□02Y	1/4	33	87	66	17.5	
IS1000E-4□03Y	3/8					
IS1000E-4□04Y	1/2	50	87	66	17.5	
IS1000E-4□06Y	3/4					

Note1) □ in the part number indicate a connecting thread. Use nothing for Rc(PT), N for NPT and F for G(PF).

Note2) Can NOT be mounted on "AC40□0-06" and "AW40□0-06".

*With retainer, O ring and bolt.

**Consult SMC when mounting the pressure switch on "AC40□0-06" and "AW40□0-06".

*For more information, refer to p.3.0-0.

How to Order

IS1000E- 3 □ 03 YL □

Pressure switch with piping adapter

Body size

2	For AC2000
3	For AC2500, AC3000
4	For AC4000-02 to 04

Thread

—	Rc(PT)
N	NPT
F	G(PF)

Options

X201	Length of lead wire: 3m
X202	Setting pressure range: 0.1 to 0.6MPa
X250	Reverse mounting (Left side mounting style)

Attachment

—	Without attachment
Y	With attachment
YL	With attachment and L type bracket
YT	With attachment and T type bracket

Piping adapter port size

01	1/8
02	1/4
03	3/8
04	1/2
06	3/4

Attachments for IS1000E

Pressure switch applicable model No.	Y type standard	YL type with L type bracket	YT type with T type bracket
IS1000E-201 to 203	Y20E	Y20LE	Y20TE
IS1000E-302 to 304	Y30E	Y30LE	Y30TE
IS1000E-402 to 406	Y40E	Y40LE	Y40TE

AC

AV

AU

AF

AR

IR

VEX

AW

AMR

AWM

AWD

ITV

VBA

VE

VY

G

AL