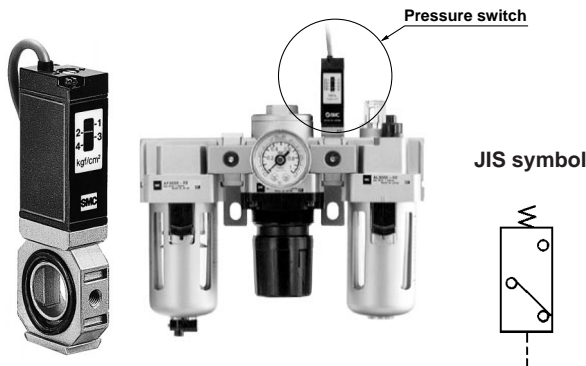


Pressure Switch: (S)

Compact pressure switch can be mounted easily.
Makes it easier to detect pressure in lines.



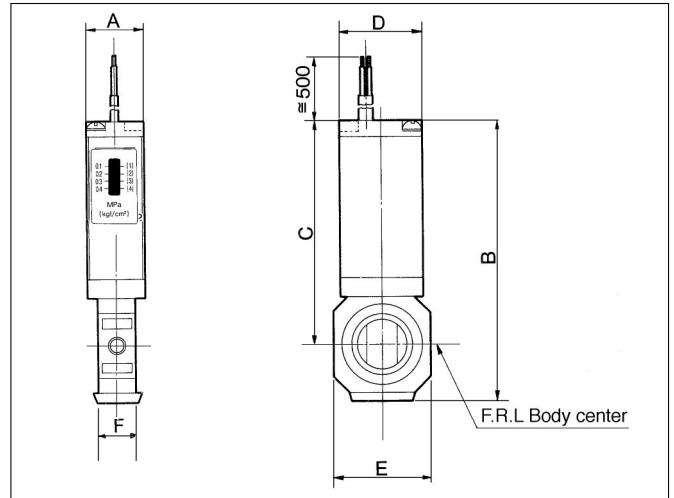
Specifications

Fluid	Air
Proof pressure	1.0MPa
Max. operating pressure	0.7MPa
Set pressure range (off)	0.1 to 0.4MPa
Differential	0.08MPa
Ambient and fluid temperature	5 to 60°C(No condensation)

Switch Characteristics

Contact point structure	1a
Max. contact point capacity	2V AC/2W DC
Voltage AC, DC	12V, 24V, 48V, 100V
Max. operating current	AC, 12V to 24V DC: 50mA AC, 48V DC: 40mA AC, 100V DC: 20mA

*For more information, refer to SMC
Pressure switch catalog. (Catalog No.E824)



Model	A	B	C	D	E	F	Applicable model
IS1000M-2Y	15	73.5	62.6	23	28	10	AC2000, AC2020, AC2030
IS1000M-3Y	15	82	64.9	23	29	11	AC2500, AC2520, AC2530 AC3000, AC3020, AC3030
IS1000M-4Y	15	88.7	67.6	23	35	14	AC4000, AC4020, AC4030
IS1000M-5Y	15	91	68	23	44	14	AC4000-06, AC4020-06 AC4030-06
IS1000M-6Y	15	100	72.5	23	54	15	AC5000, AC5500, AC6000 AC5020, AC5520, AC6020

Caution on Assembling

Attachment for pressure switch can be installed at the IN/OUT side of AF, AR, AL, AFM and AFD. Mounting at the IN/OUT side of AW and upward handle of AR is not possible.

How to Order

IS1000M - 4 - YT - []

Pressure switch

Body size

2	For AC2000
3	For AC2500, AC3000
4	For AC4000-02 to 04
5	For AC4000-06
6	For AC5000, AC6000

Options

X201	Length of lead wire: 3m
X202	Set pressure range: 0.1 to 0.6MPa

Attachment

—	Without attachment
Y	With attachment
YL	With attachment and L type bracket
YT	With attachment and T type bracket

Attachments for IS1000M

Pressure switch applicable model No.	Y type standard	YL type with L type bracket	YT type with T type bracket
IS1000M-2	Y20M	Y20LM	Y20TM
IS1000M-3	Y30M	Y30LM	Y30TM
IS1000M-4	Y40M	Y40LM	Y40TM
IS1000M-5	Y50M	Y50LM	Y50TM
IS1000M-6	Y60M	Y60LM	Y60TM

AC

AV

AU

AF

AR

IR

VEX

AW

AMR

AWM

AWD

ITV

VBA

VE

VY

G

AL